

**Warning:** to prevent fire or shock hazard, do not expose camera or monitor to rain or moisture.



The lightning flash with arrowhead symbol, within a triangle, is intended to alert the user to the presence of uninsulated "dangerous voltage" within the product's enclosure; that may be of sufficient magnitude to constitute a risk of electric shock to persons.

### CAUTION

RISK OF ELECTRIC SHOCK  
DO NOT OPEN

**Caution:** to reduce the risk of electric shock, do not remove cover (or back). No user serviceable parts inside. Refer servicing to qualified service personnel.



The exclamation mark within a triangle is intended to alert the user to the presence of important operating and maintenance (servicing) instructions in the literature accompanying the appliance.

## FCC declaration

This device complies with part 15 of the FCC rules.

Operation is subject to the following two conditions:

- 1 This device may not cause harmful interference.
- 2 This device must accept any interference received, including interference that may cause undesired operation.

This equipment has been tested and found to comply with the limits for a class B digital device, pursuant to Part 15 of the FCC Rules. These limits are designed to provide reasonable protection against harmful interference in a residential installation.

This equipment generates, uses and can radiate radio frequency energy and, if not installed and used in accordance with the instructions, may cause harmful interference to radio communications. However, there is no guarantee that interference will not occur in a particular installation. If this equipment does cause harmful interference to radio or television reception, which can be determined by turning the equipment off and on, the user is encouraged to try to correct the interference by one or more of the following measures:

- Reorient or relocate the receiving antenna.
- Increase the distance between the equipment and the receiver.
- Connect the equipment into an outlet on a circuit different from that to which the receiver is connected.
- Consult the dealer or an experienced radio/TV technician for help.

## Electro Magnetic Compatibility (EMC)

This equipment complies with the European rules for EMC according to EN55022 and EN50082-1.

The equipment conforms with the EMC directive and low-voltage directive.

This device complies with EMC rules under test conditions that included use of system cables and connectors between system components. If you have any problems, contact your dealer.

## Warning

*Any unauthorized modification to this equipment may cause violation of the FCC or EMC rules resulting in the revocation of the authorization to operate the equipment.*

## Important notes for users in the U.K.

If the fitted plug is not suitable for your mains socket, it should be removed and be replaced by an appropriate plug.

### How to replace a plug

- Cut the mains plug from the lead.
- Strip the sheathing so the wires will become free for the necessary length to connect the UK-mains plug (not supplied).

The wires in the mains lead are coloured according to the following code: blue=neutral (N), brown=live (L).

As these colours may not correspond with the colour markings identifying the terminals in your plug, proceed as follows:

- Connect the blue wire to the terminal marked N or coloured black.
- Connect the brown wire to the terminal marked L or coloured red.

### Caution

Do not connect either wire to the earth terminal in the plug, marked E (or) or coloured green (or green and yellow).

Before replacing the plug cover, make certain that the cord grip is clamped over the sheath of the lead, not simply over the two wires.

### Fuse

If the mains plug (or adapter) contains a fuse, the value of this fuse should be 3 Amp. Alternatively, if another type of plug (not fused) is used, the fuse at the distribution board should not be greater than 5 Amp.

# High Resolution Monitor

## Table of Contents

	<i>Page</i>
Introduction.....	3
Features.....	3
Connection and operation facilities .....	3
Installation.....	4
Placement and connection	
Operation .....	4
Power on/off	
Power save/active	
Application examples .....	5
Tips for maintenance .....	5

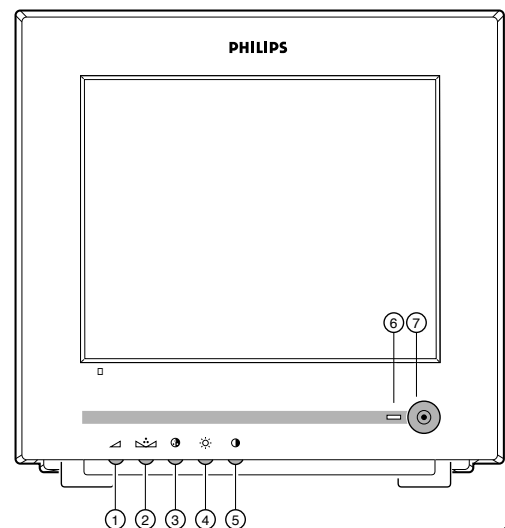
## Introduction

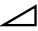




By purchasing our High Resolution Colour Monitor you possess a high quality monitor. Excellent colour reproduction combined with crystal clear and sharp pictures ensure perfect performance under almost every circumstance.

## Features

- High resolution reproduction over 650 TV lines
- Dual TV standard (auto switching between PAL and NTSC)
- Composite video (CVBS) and S-VHS (Y/C) I/O
- Audio (0.5 W)
- Front Power save and rear power on/off switches
- Stylish metal cabinet

## Connection and operation facilities



- 1 Volume**   
Volume control for the audio signal.
- 2 Hue**   
Hue control  
*Remark: Hue control is only functional in NTSC mode.*
- 3 Colour**   
Colour intensity control
- 4 Brightness**   
Brightness control
- 5 Contrast**   
Contrast control

## 6 Power LED

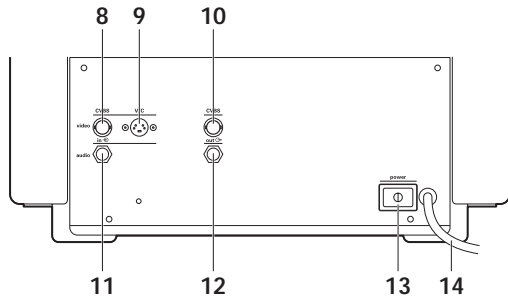
The following modes are possible:

- Power active (LED is green)
- Power save (LED is red)
- Power off (LED is off)

## 7 Power save / active

Image and audio of the monitor off/on

**Remark:** In power save mode, the audio and video loop through is still functional



## 8 CVBS input

Input and loop through output for composite video (BNC).

## 9 S-VHS input

Y/C input for high resolution video (4 pin mini-DIN). Monitor automatically selects input (CVBS or S-VHS) with video (the S-VHS input has priority).

## 10 CVBS output

Active loop through output, eliminating the need for termination.

## 11 Audio input

Input for audio (Cinch).

## 12 Audio output

Output for audio (Cinch). No termination needed.

## 13 Mains power switch (power)

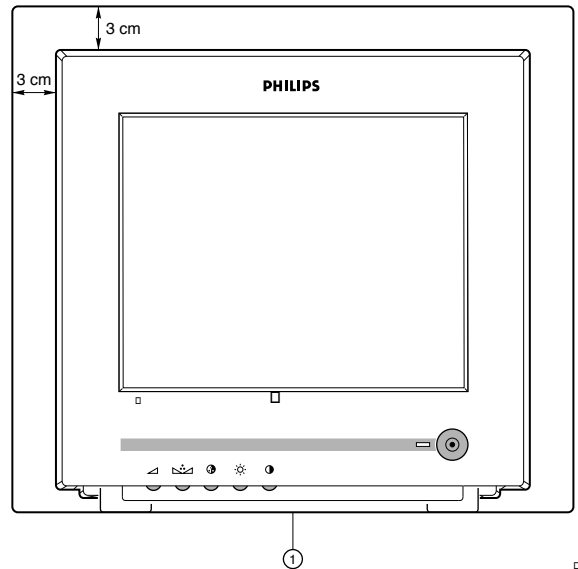
Switches the monitor on/off.

## Installation

In this chapter the installation of the monitor is described.

### Placement and connection

- 1 Place the monitor on a solid base (leave at least 3cm around each side of the monitor for ventilation).

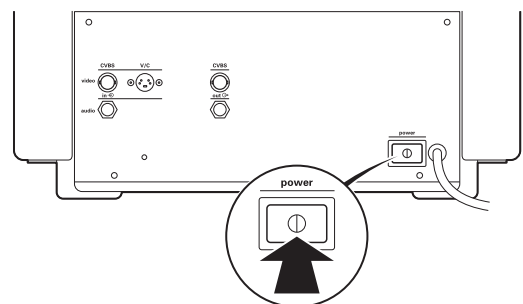


- 2 Connect the monitor to the mains (14).
- 3 Connect video and audio inputs to the source (e.g. camera, VCR, switcher, etc.).
- 4 Connect loop through outputs to other equipment (when needed, e.g. other monitor, VCR, etc.).
- 5 Switch on the main power switch (13).

## Operation

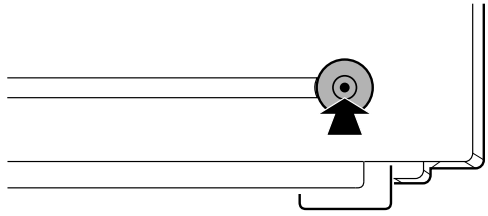
### Power on/off

Push button at the rear of the monitor.



- 1 **Power on**  
The high resolution colour monitor switches on (power LED is green).
- 2 **Power off**  
The monitor switches off (power LED is off).

## Power save/active



### 1 Power active

Image and sound of the monitor are switched on (power LED is green). The picture tube is automatically de-gaused.

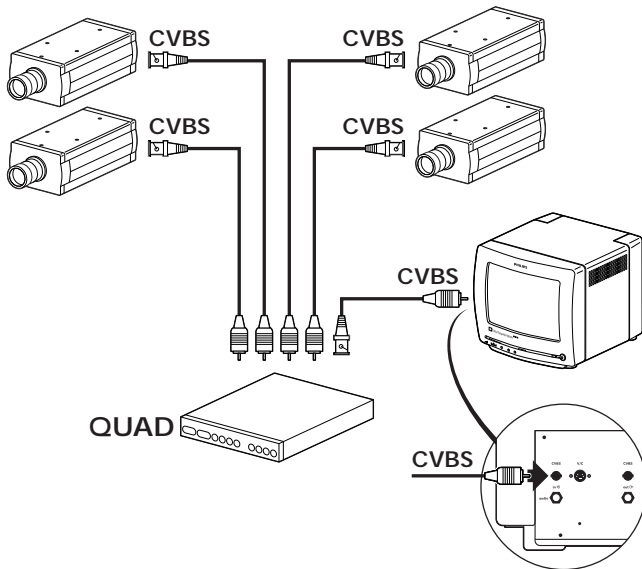
### 2 Power save

Image and sound of the high resolution colour monitor are switched off. Audio and video loophrough remain active.

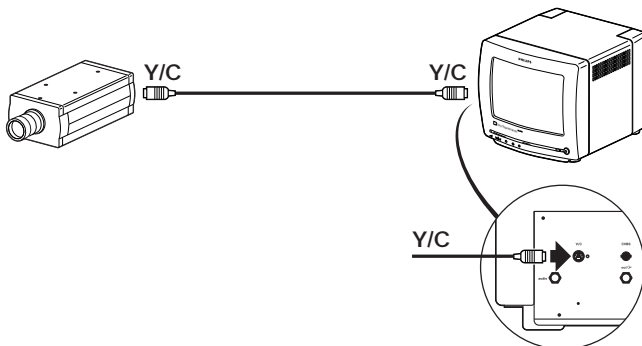
The power indication LED is red.

## Application examples

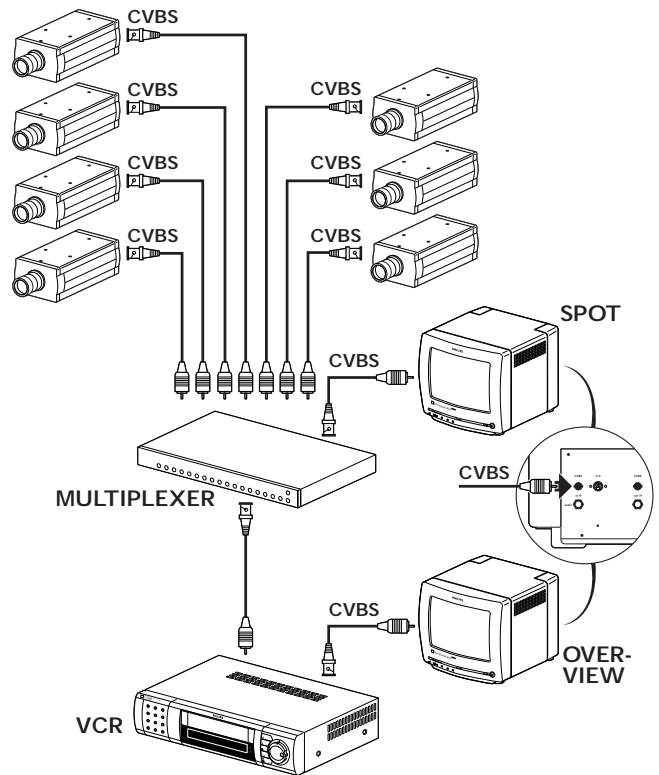
- 4 cameras with quad switcher (CVBS input)



- High resolution camera (industry application) to monitor (S-VHS input)



- 7 cameras with multiplexer, VCR and with overview and spot monitor (CVBS)



## Tips for maintenance

### Ventilation

Keep ventilation openings free to avoid the monitor for overheating. Do not place the monitor in the immediate vicinity of a heating source.

### Cleaning

You can clean the monitor with a moist fluff-free cloth or shabby leather cloth.

Avoid direct contact with water.

**Warning** The back of the monitor should only be removed by qualified maintenance personnel.

## Technical specifications

Picture tube	14", 90° deflection, 0.28 mm data grade picture tube
Resolution	> 650 TVL (Y/C input, 8 MHz)
TV standard	PAL 625 lines, 50 Hz, 2:1 / NTSC 525 lines, 60 Hz, 2:1
Colour temperature	9100 K
Mains power supply	100-240 V AC, 50/60 Hz
Power consumption	65 W max.
Video input / output	
• CVBS input	BNC (1 V <sub>pp</sub> , 75 Ohm)
• CVBS output	BNC (1 V <sub>pp</sub> , 75 Ohm), active loop through (no termination needed)
• Y/C input	4 pin mini-DIN (S-VHS)
Audio input / output	
• Audio input	Cinch (0.5 V <sub>pp</sub> , 10 kOhm)
• Audio output	Cinch, passive loop through, no termination needed
Dimensions (WxHxD)	320 x 350 x 370 mm
Weight	12 kg
Ambient temperature (oper./storage)	+10...+45°C / -25...+70°C
Ambient humidity	20...98% RH max.

