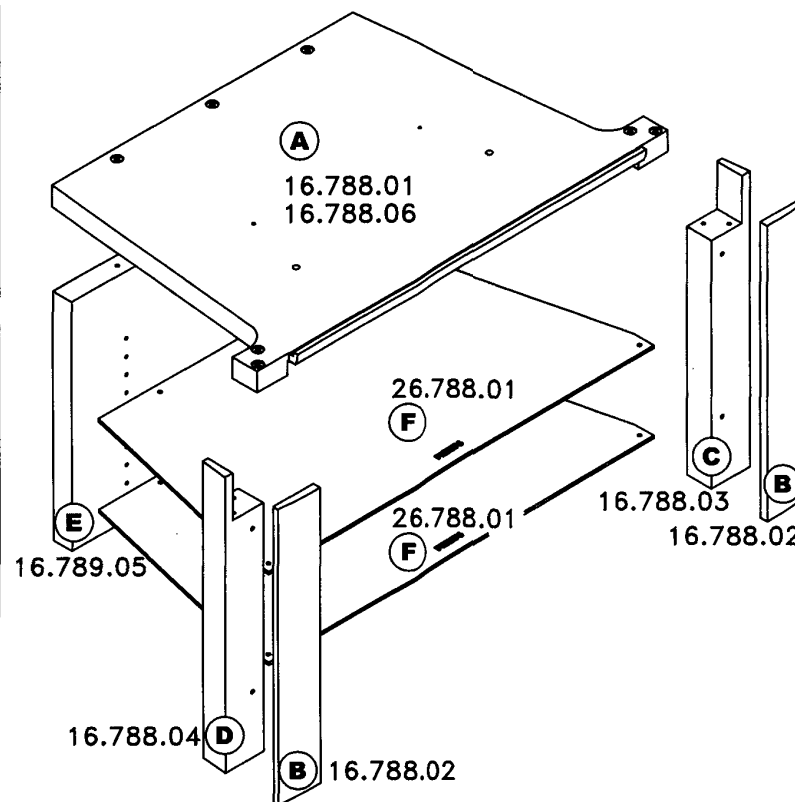
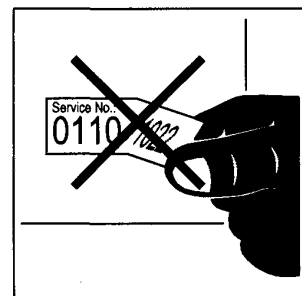
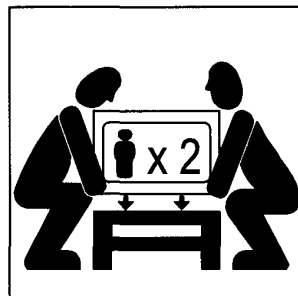
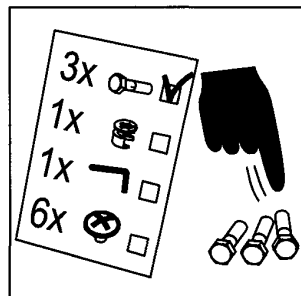
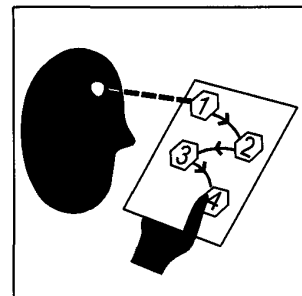
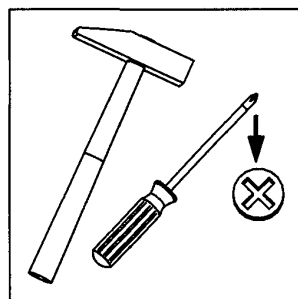
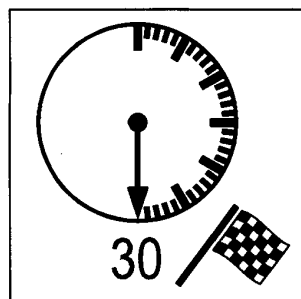
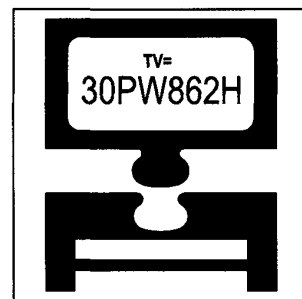


There are many small components used in the construction of this unit. These loose items should be kept away from young children whilst assembling your unit. This TV stand is designed for use with specified TV's. Use with other models may result in instability causing possible injury.

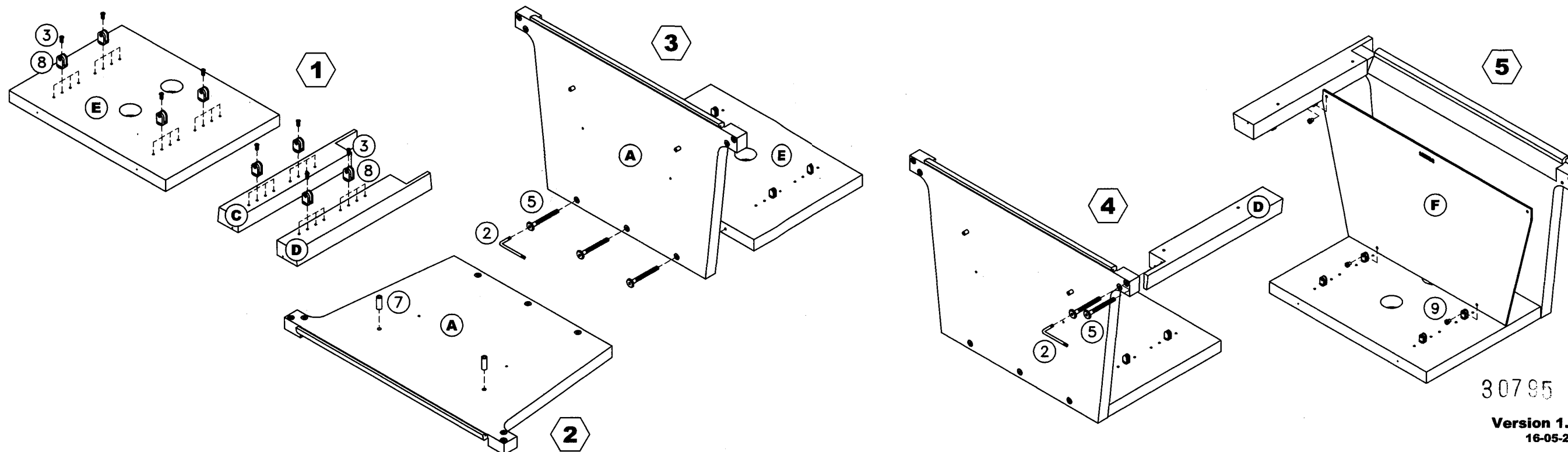
# PHILIPS TC30PV2



- ① 4x 91.000.02
- ② 1x 93.000.22
- ③ 8x 93.200.37
- ④ 2x 93.200.58
- ⑤ 7x 93.300.46
- ⑥ 4x 95.644.11
- ⑦ 2x 95.691.04
- ⑧ 8x 96.721.70
- ⑨ 8x 96.721.71
- ⑩ 2x 96.715.04

If any parts are missing, please E-mail the Spares and Accessories Hotline.  
 Si il y a des pieces qui manquent, e-mail la division pour les pieces de rechange et les accessoires.  
 Si le faltan partes, por favor E-mail el Departamento de Auxilio de Repuestos y Accesorios.

[service@zappdesign.nl](mailto:service@zappdesign.nl)



3 07 95

Version 1.0.3  
16-05-2003

