

Register your product and get support at  
[www.philips.com/welcome](http://www.philips.com/welcome)

Netbook mouse  
SPM6800



EN User manual

**PHILIPS**

Philips Consumer Lifestyle

AQ95-56F-1240KR

2010

(Report No. / Numéro du Rapport)

(Year in which the CE mark is affixed / Année au cours de laquelle le marquage CE a été apposé)

## EC DECLARATION OF CONFORMITY

(DECLARATION DE CONFORMITE CE)

We / Nous, PHILIPS CONSUMER LIFESTYLE B.V.

(Name / Nom de l'entreprise)

TUSSENDIEPEN 4, 9206 AD DRACHTEN, THE NETHERLANDS

(address / adresse)

Declare under our responsibility that the electrical product(s):

(Déclarons sous notre propre responsabilité que le(s) produit(s) électrique(s):)

PHILIPS

SPM6800/10

(brand name, nom de la marque)

(Type version or model, référence ou modèle)

Wireless Notebook Mouse

(product description, description du produit)

To which this declaration relates is in conformity with the following harmonized standards:

(Auquel cette déclaration se rapporte, est conforme aux normes harmonisées suivantes)

(title, number and date of issue of the standard / titre, numéro et date de parution de la norme)

EN 60950-1:2006+A11:2009  
EN 301 440-1 V1.5.1:2009  
EN 301 440-2 V1.2.1:2008  
EN 301 489-1 V1.8.1:2008  
EN 301 489-3 V1.4.1:2008  
EN 55022:2006+A1:2007  
EN 62311:2008

Following the provisions of :

(Conformément aux exigences essentielles et autres dispositions pertinentes de:)

1999/5/EC (R&TTE Directive) (Directive R&TTE 1999/5/CE)

And are produced under a quality scheme at least in conformity with ISO 9001 or CENELEC

Permanent Documents

(Et sont fabriqués conformément à une qualité au moins conforme à la norme ISO 9001 ou aux Documents Permanents CENELEC)

The Notified Body

TUV Rheinland Product Safety GmbH / CE0197

performed

Statement of Opinion

(L'Organisme Notifié)

(Name and number/ nom et numéro)

(a effectué)

(description of intervention /

description de l'intervention)

And issued the certificate,

RT 60028588 0001

(et a délivré le certificat)

(certificate number / numéro du certificat)

Remarks:

(Remarques:)

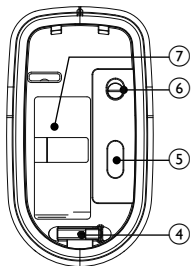
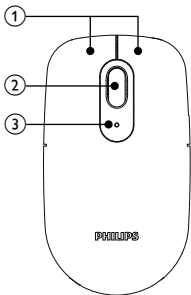
Drachten, The Netherlands, 04.02.2010

(place, date / lieu, date)

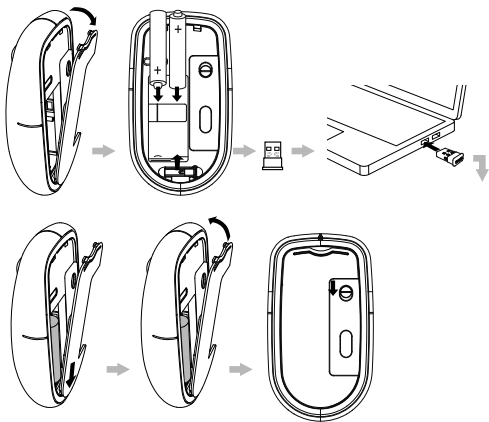
A. Speelman, Compliance Manager

(signature, name and function / signature, nom et fonction)

1



2



# 1 Important

---

## Health Warning

Improper work habits when using of a keyboard or mouse may result in discomfort or serious injury such as strain to your hands, wrists or other parts of your body.

Whether you are working or playing, it is important to avoid awkward postures and position your body comfortably. Not only can this improve your overall productivity, it may help you avoid MSDs (Musculoskeletal Disorders).

Changing your posture during extended tasks may also help you avoid discomfort and fatigue.

---

## Electric-, Magnetic- and Electromagnetic Fields (EMF)

1. Royal Philips Electronics manufactures and sells many products targeted at consumers, which, like any electronic apparatus, in general have the ability to emit and receive electromagnetic signals.
2. One of Philips' leading Business Principles is to take all necessary health and safety measures for our products, to comply with all applicable legal requirements and to stay well within the EMF standards applicable at the time of producing products.
3. Philips is committed to develop, produce and market products that cause no adverse health effects.
4. Philips confirms that if its products are handled properly for their intended use, they are safe to use according to scientific evidence available today.
5. Philips plays an active role in the development of international EMF and safety standards, enabling Philips to anticipate further developments in standardization for early integration in its products.

---

## Disposal of your old product

Your product is designed and manufactured with high quality materials and components, which can be recycled and reused.



When this crossed-out wheeled bin symbol is attached to a product it means that the product is covered by the European Directive 2002/96/EC.



Please inform yourself about the local separate collection system for electrical and electronic products.

Please act according to your local rules and do not dispose of your old products with your normal household waste. Correct disposal of your old product helps to prevent potential negative consequences for the environment and human health.

Your product contains batteries covered by the European Directive 2006/66/EC, which cannot be disposed with normal household waste. Please inform yourself about the local rules on separate collection of batteries because correct disposal helps to prevent negative consequences for the environmental and human health.



## 2 System requirements

- Windows® 7, Vista, XP; Mac OS® X 10.2.8 and above
- USB port

## 3 Function overview

- ① Left and right click buttons
- ② Scroll wheel
- ③ Battery indicator
- ④ Nano Dongle
- ⑤ Optical sensor
- ⑥ Power switch
- ⑦ Battery compartment

<b>Battery status</b>	<b>Indicator status</b>
Power on	Flash once
Power low	Blinking

## 4 Troubleshooting

- Ensure that the Nano Dongle of your mouse is properly plugged into a USB port on your computer.
- Ensure that there is power in the battery.
- When the mouse is in sleep mode, press the right/left button to wake it up.



© Royal Philips Electronics N.V. 2010  
All rights reserved.

Specifications are subject to change  
without notice. Trademarks are the  
property of Koninklijke Philips Electronics  
N.V. or their respective owners.

V1.1

**CE 0197** 