

Always there to help you

Register your product and get support at
www.philips.com/welcome

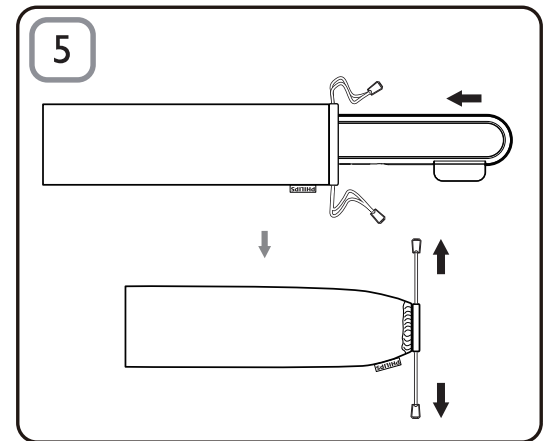
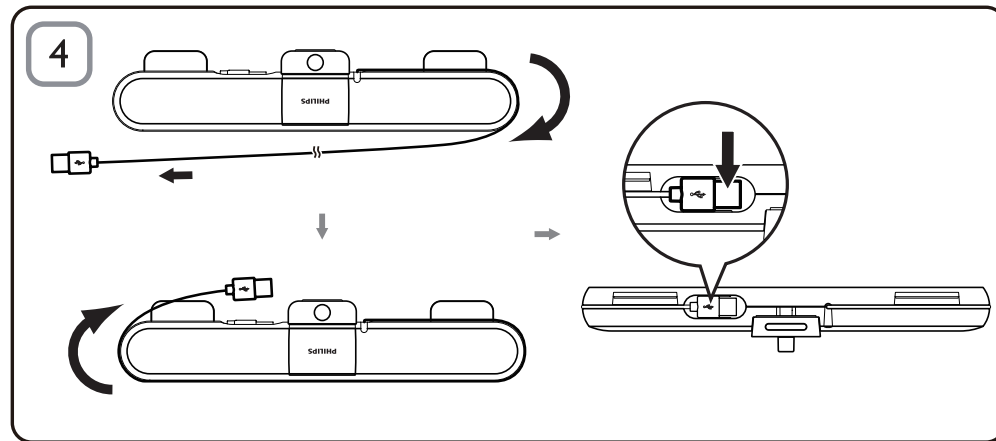
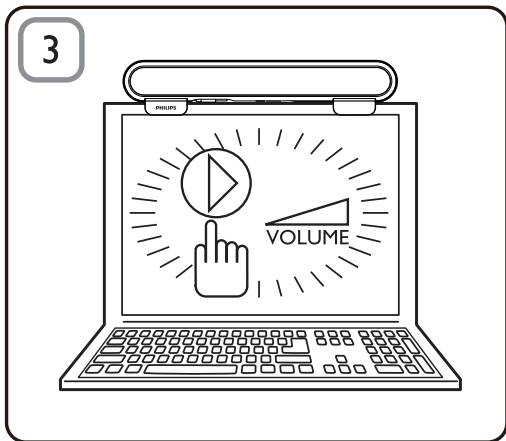
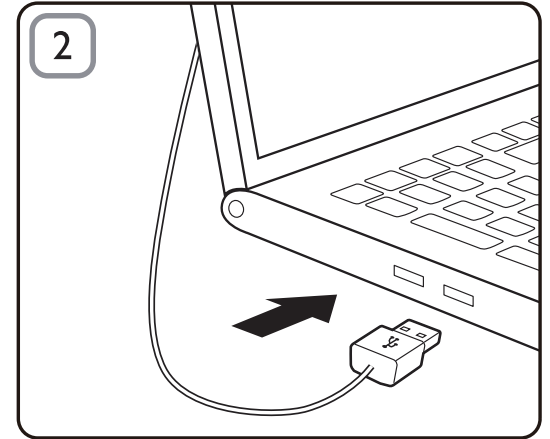
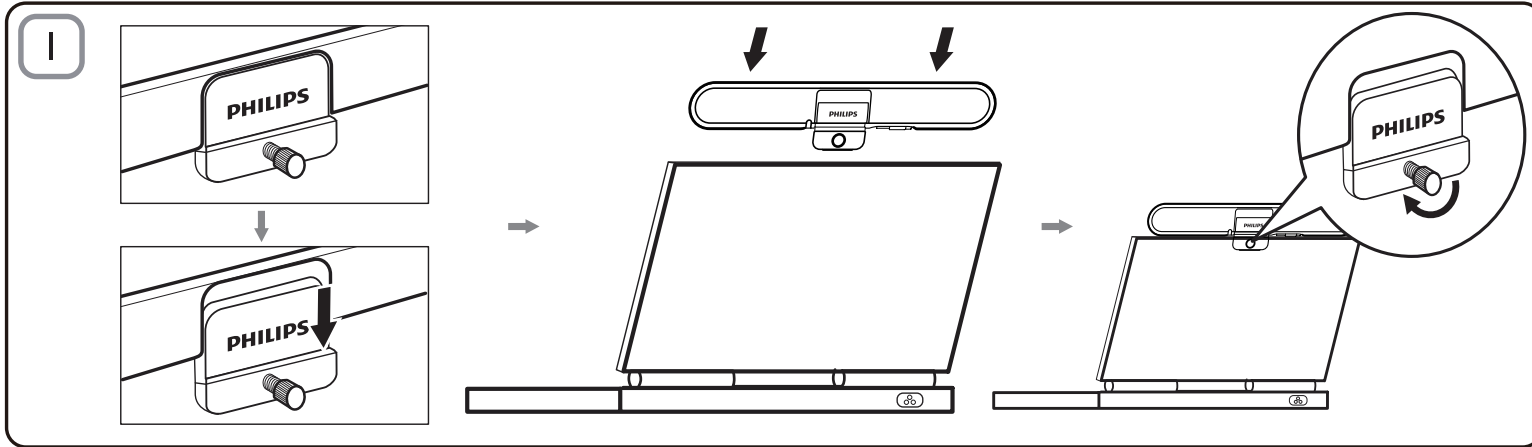


SPA5210
SPA5210B



User manual

PHILIPS



Note

- Before you install the notebook SoundBar, ensure that a working USB controller is listed in **Windows Device Manager** on your computer.
- Ensure that the notebook SoundBar is installed properly before using.
- Never unplug the USB connector while the notebook SoundBar is playing sound.

System Requirements:

PC	Mac
Windows® 98SE, Windows® ME, Windows® 2000, Windows® XP, or Windows® Vista™	Mac OS9/OS® X, or later
Certified USB controller	Built-in USB connection

Installation:

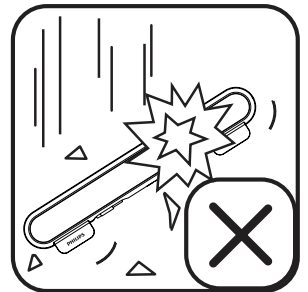
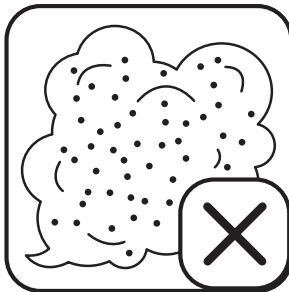
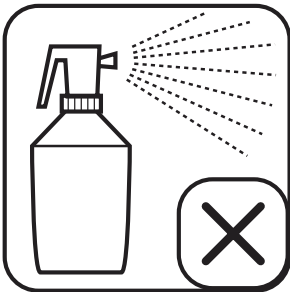
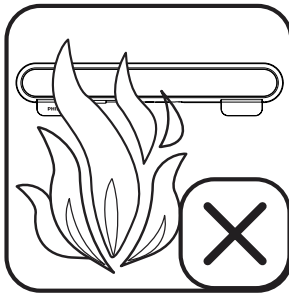
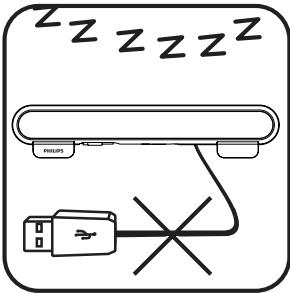
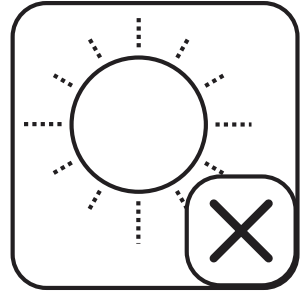
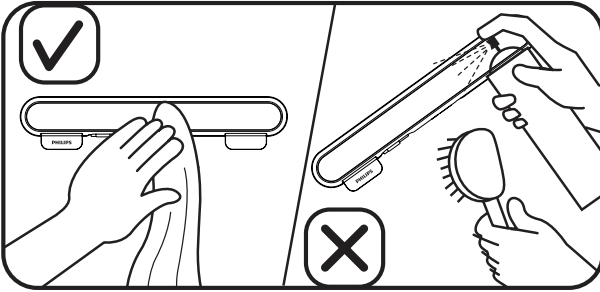
- 1 Slide down the clip (Fig. 1).
- 2 Clip the notebook SoundBar on the top of the notebook screen and gently tighten the screw on the back (Fig. 1).
- 3 Plug the USB plug into a USB port on the notebook (Fig. 2).
- 4 Open your multimedia application software, and then adjust the volume (Fig. 3).
- 5 When you have finished using the SoundBar, exit the multimedia application software.
- 6 Unplug the USB cable from the notebook and release gently the screw to remove the SoundBar from the top of the screen.
- 7 Wrap the USB cable and plug around the SoundBar in the slot, and then store the notebook SoundBar in the pouch (Fig. 4 & 5).

If the notebook SoundBar cannot be detected by computer, perform the following steps:

On PC	On Mac
1. Click Control Panel . 2. Double click the Sounds and Audio Devices icon. 3. In Sounds and Audio Devices Properties , select the Audio tab. 4. Under Sound playback , select Philips SPA5210 .	1. Click System Preferences . 2. Click the Sound icon. 3. Open Output and select Philips SPA5210 . 4. Play music by multimedia software.



Your product is designed and manufactured with high quality materials and components, which can be recycled and reused. Please inform yourself about the local separate collection system for electrical and electronic products, including those marked by the crossed-out wheeled bin symbol. Please act according to your local rules and do not dispose of your old products with your normal household waste.





Specifications are subject to change without notice

2014 © WOOX Innovations Limited. All rights reserved.

This product was brought to the market by WOOX Innovations Limited or one of its affiliates, further referred to in this document as WOOX Innovations, and is the manufacturer of the product. WOOX Innovations is the warrantor in relation to the product with which this booklet was packaged. Philips and the Philips Shield Emblem are registered trademarks of Koninklijke Philips N.V.