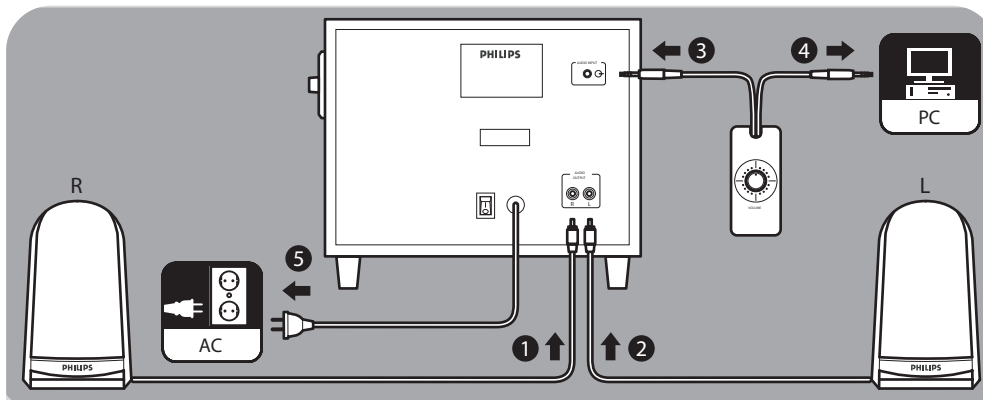
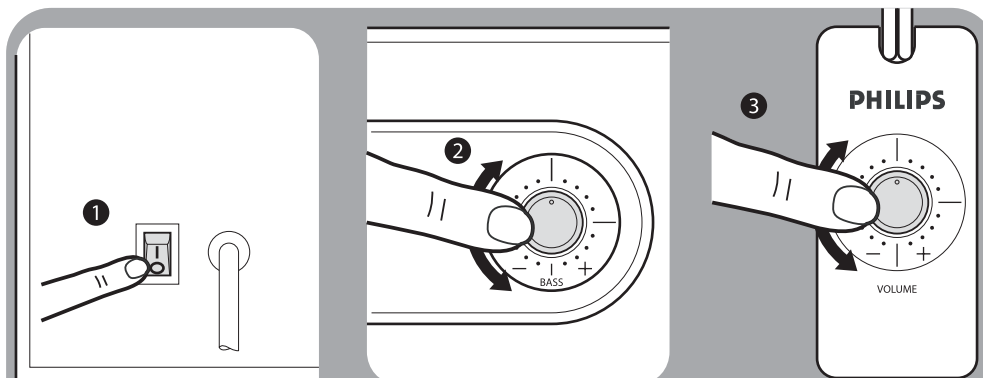


1 Connect



1. Connect the right satellite to the **AUDIO OUTPUT/R** port of the subwoofer.
2. Connect the left satellite to the **AUDIO OUTPUT/L** port of the subwoofer.
3. Connect the black plug of the wired remote control to the **AUDIO INPUT** port of the subwoofer.
4. Connect the green plug of the wired remote control to the corresponding port of your audio source (for example, your computer).
5. Connect the power cable from the **AC IN** socket of the subwoofer to a power supply.

2 Enjoy



1. Set the **ON/OFF** switch on the rear of the subwoofer to the I position.
> The blue light on the front of the subwoofer comes on.
2. Adjust the bass level with the **BASS** control on the right side of the subwoofer.
3. Adjust the volume level with the **VOLUME** control on the wired remote control.
> You can now enjoy the sound of your multimedia speaker system.



Need help?
Online help: www.philips.com/support

Helpline

United Kingdom 0906 1010 016 (£ 0.15)

EN Multimedia Speaker System

SPA2300

Welcome

Quick start guide

- 1 Connect
- 2 Enjoy



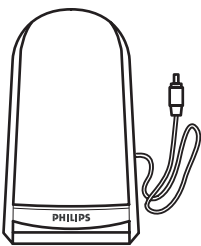
Specifications are subject to change without notice.
Trademarks are property of Koninklijke Philips Electronics N.V. or their respective owners.
2005 © Koninklijke Philips Electronics N.V. All rights reserved.

www.philips.com

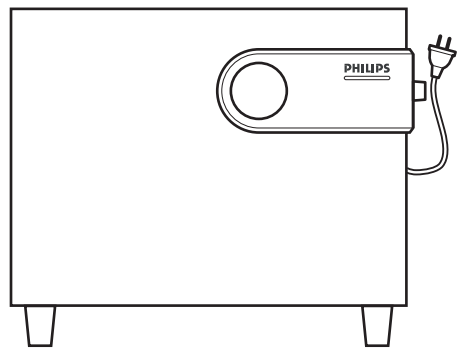
3 12 247 501 031

PHILIPS

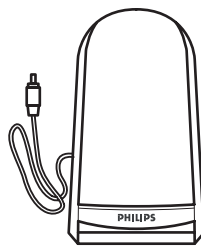
What's in the box?



Left satellite



Subwoofer



Right satellite



Wired remote control

Quick Start
guide

Warranty

What else you'll need



Computer

Or

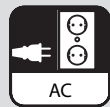


Notebook

Or



MP3 Player



Power supply

Important Safety Instructions

For US/Canada only

This product was designed and manufactured to meet strict quality and safety standards. There are, however, some installation and operation precautions which you should be particularly aware of.

- Read these instructions** - All the safety and operating instructions should be read before the appliance is operated.
- Keep these instructions** - The safety and operating instructions should be retained for future reference.
- Heed all warnings** - All warnings on the appliance and in the operating instructions should be adhered to.
- Follow all instructions** - All operating and use instructions should be followed.
- Do not use this apparatus near water** - for example, near a bathtub, washbowl, kitchen sink, laundry tub, in a wet basement or near a swimming pool, etc.
- Clean only with a damp cloth.**
The appliance should be cleaned only as recommended by the manufacturer.
- Install in accordance with the manufacturers instructions. Do not block any of the ventilation openings.**
For example, the appliance should not be situated on a bed, sofa, rug, or similar surface or placed in a built-in installation, such as a bookcase or cabinet that may impede the flow of air through the ventilation openings.
- Do not install near any heat sources** such as radiators, heat registers, stoves, or other apparatus (including amplifiers) that produce heat.
- Do not defeat the safety purpose** of the polarized or grounding-type plug. A polarized plug has two blades with one wider than the other. Match wide blade of plug to wide slot, fully insert. A grounding type plug has two blades and a third grounding prong. The wide blade or the third prong are provided for your safety. When the provided plug does not fit into your outlet, consult an electrician for replacement of the obsolete outlet.
- Protect the power cord** from being walked on or pinched particularly at plugs, convenience receptacles, and the point where they exit from the apparatus.
- Only use attachments/accessories** specified by the manufacturer.
- Use only with** a cart, stand, tripod, bracket, or table specified by the manufacturer, or sold with the apparatus. When a cart is used, use caution when moving the cart/apparatus combination to avoid injury from tip-over.
- Unplug this apparatus** during lightning storms or when unused for long periods of time.
- Refer all servicing** to qualified service personnel. Servicing is required when the apparatus has been damaged in any way, such as power-supply cord or plug is damaged, liquid has been spilled or objects have fallen into the apparatus, the apparatus has been exposed to rain or moisture, does not operate normally, or has been dropped.
- Warning!** To reduce the risk of fire or electric shock, do not expose this appliance to rain or moisture.

The socket-outlet shall be installed near the equipment and shall be easily accessible.

Important notes

For United Kingdom only

Mains plug

This apparatus is fitted with an approved 13 Amp plug. To change a fuse in this type of plug proceed as follows:

- Remove fuse cover and fuse.
- Fix new fuse, which should be a BS1362 5 Amp, A.S.T.A. or BSI approved type.
- Refit the fuse cover.

If the fitted plug is not suitable for your socket outlets, it should be cut off and an appropriate plug fitted in its place. If the mains plug contains a fuse, this should have a value of 5 Amp. If a plug without a fuse is used, the fuse at the distribution board should not be greater than 5 Amp.

The severed plug must be disposed of to avoid a possible shock hazard should it be inserted into a 13 Amp socket elsewhere.

How to connect a plug

The wires in the mains lead are coloured with the following code: blue = neutral (N), brown = live (L). As these colours may not correspond with the colour markings identifying the terminals in your plug, proceed as follows:

- Connect the blue wire to the terminal marked N or coloured black.
- Connect the brown wire to the terminal marked L or coloured red.
- Do not connect either wire to the earth terminal in the plug, marked E or coloured green (or green and yellow).

Before replacing the plug cover, make certain that the cord grip is clamped over the sheath of the lead- not simply over the two wires.

Copyright

Recording and playback of material may require consent. See Copyright Act 1956 and The Performer's Protection Acts 1958 to 1972.

Disposal

Your product is designed and manufactured with high quality materials and components, which can be recycled and reused. Please inform yourself about the local separate collection system for electrical and electronic products, including those marked by the crossed-out wheely bin symbol. Please act according to your local rules and do not dispose of your old products with your normal household waste

