

Register your product and get support at  
[www.philips.com/welcome](http://www.philips.com/welcome)

Indoor wireless headphones

SHC8535  
SHC8575

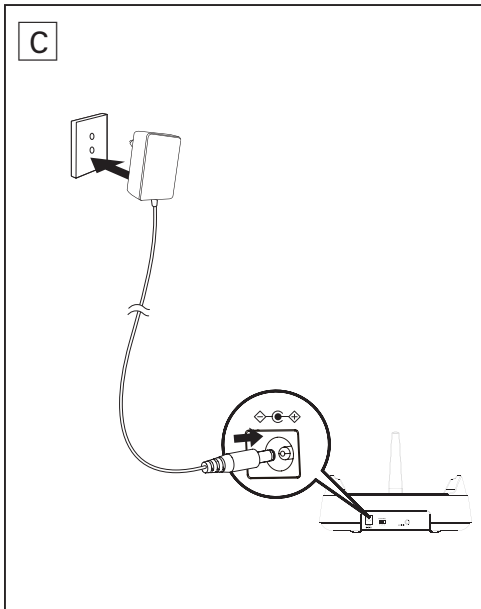
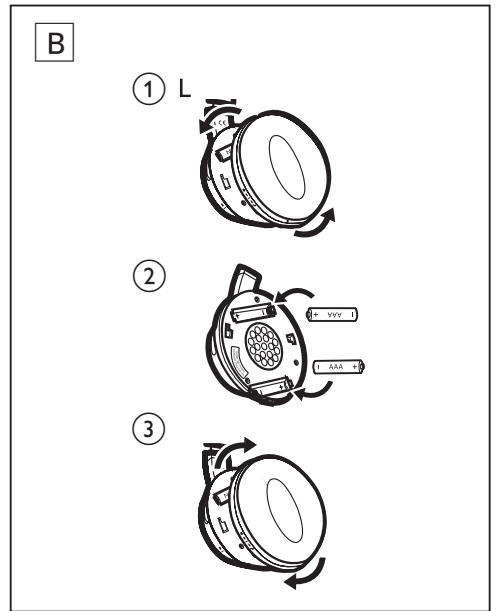
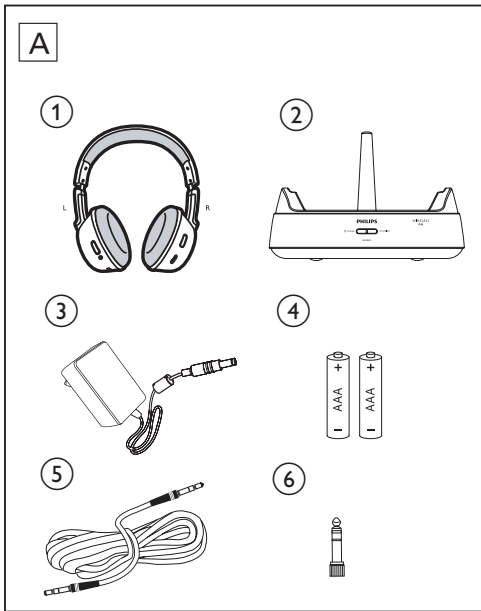


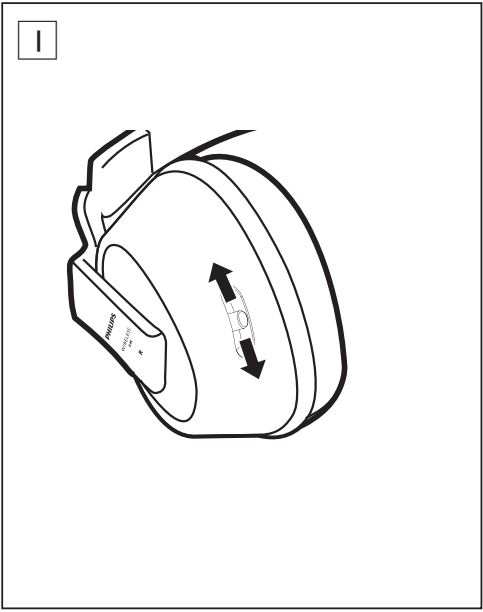
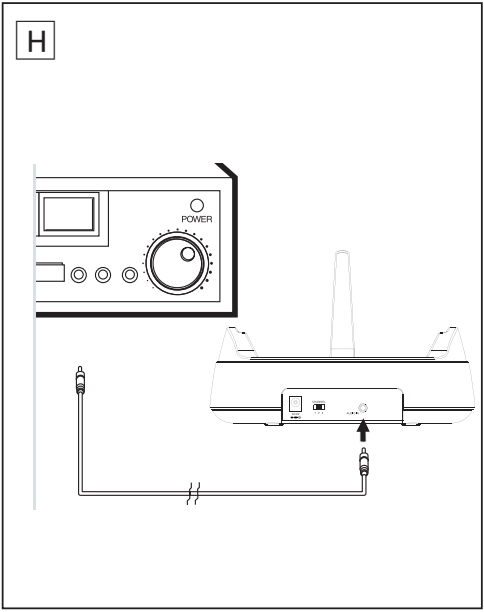
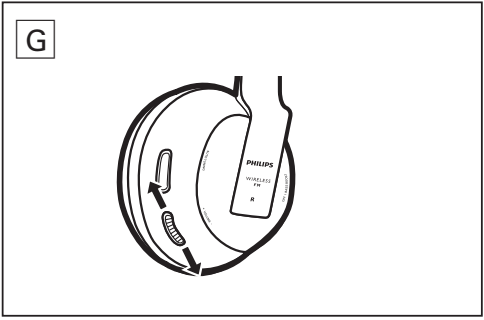
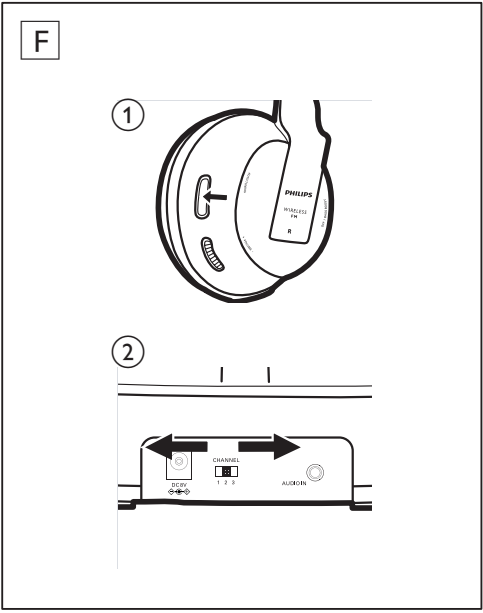
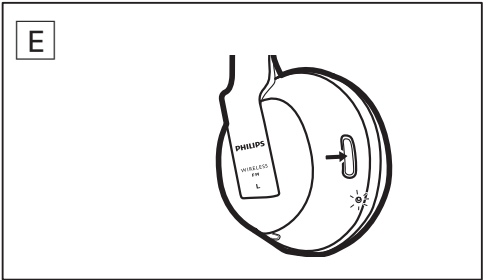
---

EN User manual

---

**PHILIPS**





# 1 What's in the box

---

1) Headphones	2) Transmitter
3) AC/DC adapter	4) 2 x AAA rechargeable shortened sleeve NiMH batteries (SBC HB550L)
5) Audio cable	6) 3.5 - 6.3mm adapter

---

## 2 Get started

### Note

- Before using the headphones for the first time, charge the supplied batteries for at least 16 hours.
- **Only use Philips rechargeable shortened sleeve NiMH batteries with your headphones. Other types of rechargeable batteries cannot be charged with this system.**
- AAA alkaline batteries can be used to operate the headphones, but **CANNOT BE CHARGED WITH THIS SYSTEM.**
- If the volume of the audio source is insufficient, the transmitter automatically turns off.

- 1 Install the supplied batteries (Fig. B).
- 2 Power on the transmitter (Fig. C).
  - ↳ The red LED is off if no audio source is connected at initial setup.
  - ↳ The red LED is on when audio source is connected.
  - ↳ The red LED is off if no audio source is connected for four minutes.
- 3 To charge the headphones, place the headphones onto the energizing docking station (Fig. D).
  - ↳ Headphones: the red LED is off during charging.
  - ↳ Transmitter: the green LED is on during charging and is off when the headphones are fully charged.
- 4 Power on the headphones (Fig. E).
  - ↳ The red LED is on.
- 5 Press and hold **AUTO TUNING** on the headphones for one second to tune to the correct transmission channel (Fig. F1).
- 6 If there is interference from other transmitters, adjust the transmission channel of the transmitter at the back, then repeat step 5 (Fig. F2).
- 7 Adjust the volume of the headphones to the suitable listening level (Fig. G).
- 8 Connect the transmitter to an audio device with the stereo cable (Fig. H).
  - ↳ The red LED is on when it is connected.
- 9 **(For SHC8575 only)** To enjoy the sound enhancement features, switch the button to **ON/OFF/TREBLE** (Fig. I).

## EC DECLARATION OF CONFORMITY

(DECLARATION DE CONFORMITE CE)

We / Nous, PHILIPS CONSUMER LIFESTYLE B.V.  
(Name / Nom de l'entreprise)

TUSSENDIEPEN 4, 9206 AD DRACHTEN, THE NETHERLANDS  
(address / adresse)

Declare under our responsibility that the electrical product(s):  
(Déclarons sous notre propre responsabilité que le(s) produit(s) électrique(s):)

PHILIPS

SHC8535, SHC8535/XX

SHC8575, SHC8575/XX

(brand name, nom de la marque)

(Type version or model, référence ou modèle)

Wireless Headphone

(product description, description du produit)

To which this declaration relates is in conformity with the following harmonized standards:  
(Auel cette déclaration se rapporte, est conforme aux normes harmonisées suivantes)

(title, number and date of issue of the standard / titre, numéro et date de parution de la norme)

EN 60065:2002+A1:2006+A11:2008  
EN 301 357-2 V1.4.1: 2008  
EN 301 357-1 V1.4.1: 2008  
EN 301 489-1 V1.8.1: 2008  
EN 301 489-9 V1.4.1: 2007  
EN 50371:2002

Following the provisions of :

(Conformément aux exigences essentielles et autres dispositions pertinentes de:)

1999/5/EC (R&TTE Directive) (Directive R&TTE 1999/5/CE)  
2009/125/EC (ErP Directive)  
- EC/1275/2008  
- EC/278/2009

And are produced under a quality scheme at least in conformity with ISO 9001 or CENELEC  
Permanent Documents

(Et sont fabriqués conformément à une qualité au moins conforme à la norme ISO 9001 ou aux Documents Permanents CENELEC)

The Notified Body ..... BAPT / 0168 ..... performed ..... Notified Body Statement of Opinion  
(L'Organisme Notifié) (Name and number / nom et numéro) (a effectué) (description of intervention / description de l'intervention)

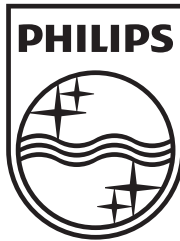
And issued the certificate, ..... THER1.11.04.54560.384 .....  
(et a délivré le certificat) (certificate number / numéro du certificat)

Remarks:  
(Remarques:)

Drachten, The Netherlands, June 22, 2011  
(place, date / lieu, date)

A. Speelman, CL Compliance Manager  
(signature, name and function / signature, nom et fonction)





© 2011 Koninklijke Philips Electronics N.V.  
All rights reserved.

Specifications are subject to change without notice. Trademarks are the property of Koninklijke Philips Electronics N.V. or their respective owners.

SHC8535-8575\_UM\_10\_V1.0



**CE 0168**