



PHILIPS

3	Important Information
3	Parts Included
4	Installation
5	Connecting to Your TV
6	Warranty
7	Technical Support

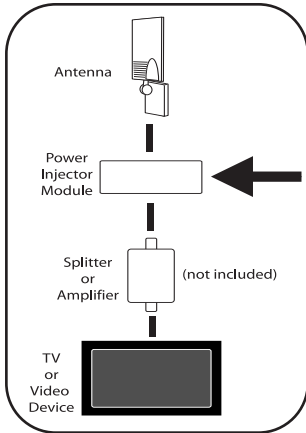
Philips SDV2940/05 Indoor/Outdoor UHF/VHF Television Aerial

Important installation information

The SDV2940/05 uses a power injection module to power the aerial amplifier.

It is essential for proper operation of this aerial system that the amplifier be connected between the aerial and any devices such as splitters, matching transformers, networks, etc. SEE DIAGRAM TO LEFT.

Disregarding this important notice may result in damaging the power injector or improper operation / poor performance.



Parts included:

1. SDV2940 Aerial1
2. Power supply 230V to 6VDC1
3. Wall / Mast Bracket1
4. Nuts2
5. U-Bolts2
6. Mast clamps2
7. Nuts with lock washers4
7. L-Bracket1
8. 50mm Wood Screws4
9. 6m coax cable with connectors ...1
10. Weather Boot1
11. Power Injector1
12. Plastic Anchors4
13. IEC to 'F' Connector1

Determining signal strength

Before Installation determine the best location for optimum reception. It is important for the aerial to have an unobstructed path to the transmitter. For best results the aerial should be facing the transmitter location.

For digital television reception

To determine that you are within digital TV coverage check this web-site:
<http://www.dtg.org.uk/consumer/coverage.html>

You can also get more information about channels and transmitter locations to help in aiming the aerial here:

<http://www.dtg.org.uk/retailer/transmitters.html>

General tips for installation

1. Try to mount aerial as high as possible – this will extend the range.
2. If mounting inside - mount in such a way that the aerial is installed near a window which will give the aerial a clear view of the transmitter
3. Mounting the aerial in a loft will significantly reduce the signal received – typically by as much as 50%.

Setting up a digital tuner with this aerial

Digital TV tuners require you to program the tuner with the available channels in your area. Generally this automatic process is part of the set-up of the tuner. However, if you do not have the aerial set up properly you may find that the tuner receives no viewable channels.

If you have access to a rooftop aerial or another aerial which is currently connected to a digital tuner you may use that aerial to program the tuner. The channels will be memorized in the tuner – which will make aligning this aerial easier.

Another method is to connect the aerial directly to your TV (not using tuner) and tune to analogue channels to find best location of the aerial. Then, re-connect the digital tuner - if you have adequate signal level you should be able to program the tuner.

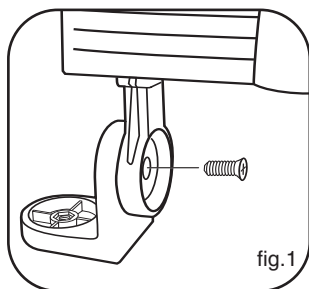


fig.1

For indoor wall mount installation:

NOTE: Complete all assembly work on the ground before installing on a wall or an aerial mast.

1. Attach main body to the L – bracket as shown, using cross head screw note the orientation of the bracket. Do not fully tighten the screw to allow for later adjustment (fig. 1).
2. Using the Wall bracket as a guide, mark position for the four 50mm wood screws. If possible locate a stud to screw into. If a stud is not available, use included wall anchors (fig. 2). Certain wall materials may require different wall anchors - not included, available at any hardware store.
3. Attach the main body and L-bracket to wall / mast mounting bracket using cross head screw (fig. 3), note the orientation of the bracket. Do not fully tighten this screw to allow for later adjustment (fig. 3).

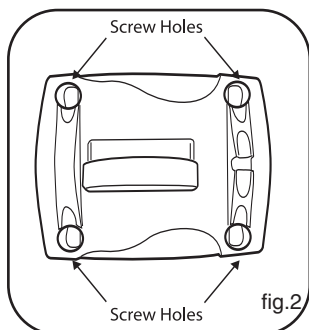


fig.2

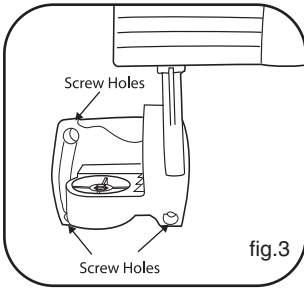


fig.3

4. Tighten all screws and nuts to firmly affix the aerial to the wall.
5. Attach the cable to the F connector on the underside of the unit and weather protection boot over the connection.

See next steps under – Connections to your TV

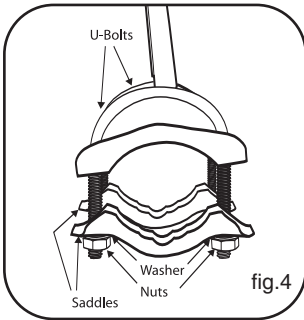


fig.4

For outdoor mast mount installation:

NOTE: Complete all assembly work on the ground. Raise the completed aerial after assembly.

1. Insert U-Bolts into the holes of the wall/mast bracket (fig. 4).
2. Slide the mast clamps onto the U-Bolts (fig. 4).
3. Attach the 4 nuts with lock washers to the U-Bolts - do not tighten fully (fig. 4).
4. Slide the assembly onto the mast. Do not tighten fully, just snug enough for the assembly to stay in place (fig. 5).
5. Attach the L-Bracket to the wall / mast bracket using cross head screw and nut.
6. Attach the main body of the aerial to L bracket vertically (Note the orientation of the bracket. Fully tighten this screw).
7. Tighten all screws and nuts to firmly affix the aerial to the mast.
8. Adjustment of the direction will be done by rotating the mast in its mount.
9. Attach the cable to the connector on the underside of the unit and weather protection boot over the connection (fig.6).

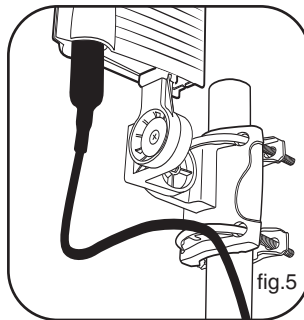


fig.5

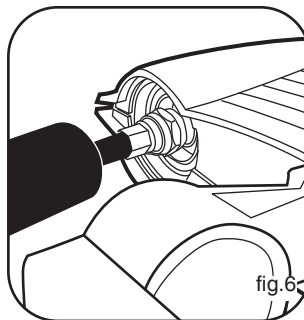
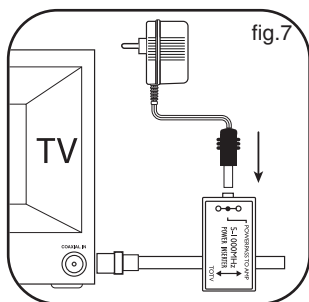


fig.6



Connections to your TV

As previously noted the amplifier (Power Injector + Power supply) must be placed in-line between the aerial and before any splitter or additional devices.

1. Connect the coaxial cable from the aerial to the connector labeled AMP on the Power Injector.
2. Connect Power Injector to the aerial input on your TV, Digital Set-Top box, Splitter and / or any other device.

Note – some set-top boxes require an “F” type connector – use the adapter supplied.

3. Connect the Power Supply DC plug to the Power Injector then plug the power supply adapter into a 230 Volt AC receptacle.

Safety Note - The power injector and power supply is for indoor use only!

A note about coaxial cable - Your SDV2940/05 includes a 6m roll of RG-59 coaxial cable. If this is not adequate for your needs we recommend for best possible signal integrity that you do not extend this cable. A better choice is to replace the cable with either RG-6 or RG-6 Quad Shield cable. Both of these cables are designed for minimal signal loss over longer cable runs. This will ensure the best possible picture and overall performance.

Warranty

Warranty information can be found at:

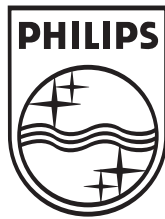
www.philips.com/guarantee

Technical Support

For Technical support send an email with the model number of the product and a detailed description of your problem to:

Email: accessorysupport@philips.com

Printed in China



Specifications are subject to change without notice
Trademarks are property of Koninklijke Philips Electronics N.V. or their respective owners.
2006© Koninklijke Philips Electronics N.V. All rights reserved

www.philips.com