

Guarantee certificate  
Garantiebewijs  
Certificado de garantia  
Garantibevis  
Garanti begesi

Certificat de garantie  
Certificado de garantia  
Εγγύηση  
Garantibevis

Garantie  
Certificato di garanzia  
Garanticertifikat  
Takuutodistus

10

year  
an  
Jahr  
jaar  
año  
anno  
ano

warranty  
garantie  
Garantie  
garantie  
garantia  
garanzia  
garantia

χρόνος  
år  
år  
år  
vuosi  
yil

εγγύηση  
garanti  
garanti  
garanti  
takuu  
garanti

Type: **SBC VS500**

SERIAL NO.: \_\_\_\_\_

Date of purchase — Date de la vente — Verkaufsdatum — Aankoopdatum — Fecha de compra — Data d'acquisto —  
Data da aquisição — Ημερομηνία αγοράς — Inköpsdatum —  
Anskaffelsesdato — Kjøpedato — Ostapaiva — Satip alym tarihi

Dealer's name, address and signature  
Nom, adresse et signature du revendeur  
Name, Anschrift und Unterschrift des Händlers  
Naam, adres en handtekening v.d. handelaar  
Nombre, direccion y firma del distribuidor  
Nome, indirizzo e firma del fornitore  
Nome, morada e assinatura da loja

Όνοματεπώνυμο, διεύθυνση και υπογραφή του εμπ. προμηθευτή  
Återförsäljarens namn, adress och signatur  
Forhandlerens navn, adresse og underskrift  
Forhandlerens navn, adresse og underskrift  
Jälleenmyyjän nimi, osoite ja allekirjoitus  
Satycy ady, adresi ve imzasy

MAX  
60 kg

19"-25"  
48cm - 63cm



ASSURANCE  
INTERNATIONAL  
ASSURANCE  
INTERNATIONALE

TUV  
PRODUCT SERVICE

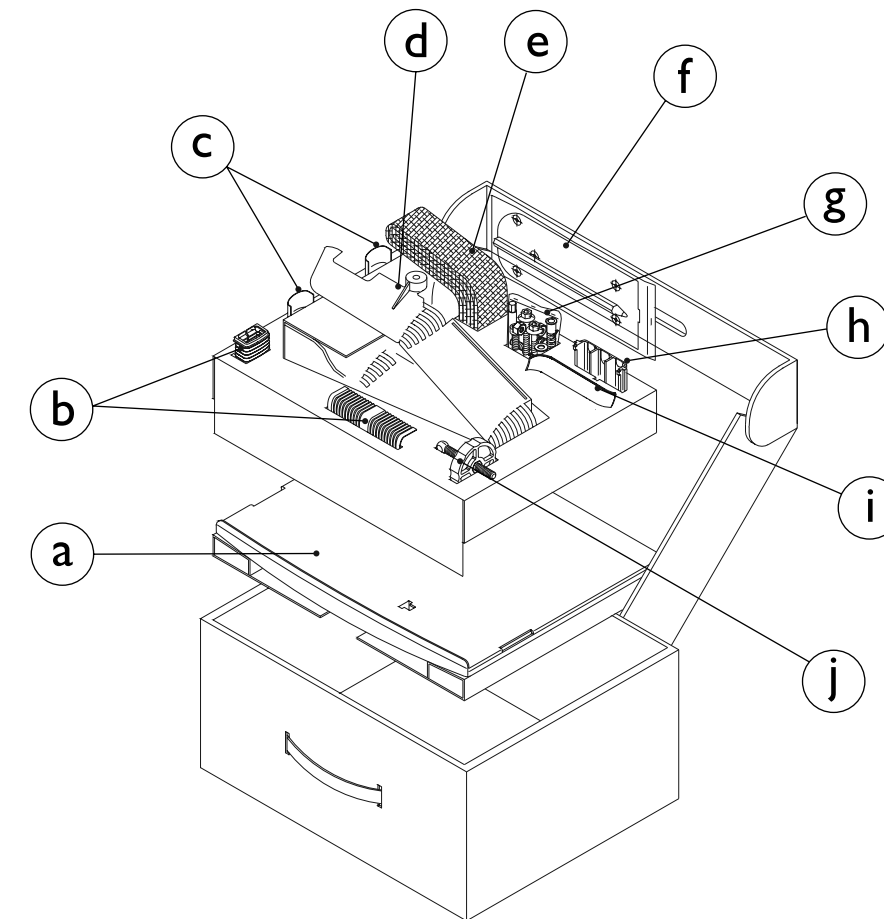


This document is printed on chlorine free produced paper  
Printed in Italy  
Specifications and design are subject to change without notice



## Television Support SBC VS500

*Instructions for use*  
*Instructions pour l'utilisation*  
*Bedienungsanweisungen*  
*Gebbruiksaanwijzing*  
*Modo de empleo*  
*Istruzioni per l'uso*  
*Instruções de uso*  
*Οδηγίες χρήσης*  
*Bruksanvisning*  
*Vejledning*  
*Bruksanvisning*  
*Käyttöohje*  
*Kullanma tallmaty*



### GB Box contents (figure A)

- a. Platform
- b. Rubber covers
- c. Plastic covers
- d. Pre-assembled arm
- e. Safety belt
- f. I.F.U. - insurance instructions - drilling template
- g. Mounting materials
- h. Lower closing plate
- i. Upper closing plate
- j. Tilting knob

A

Let's make things better.

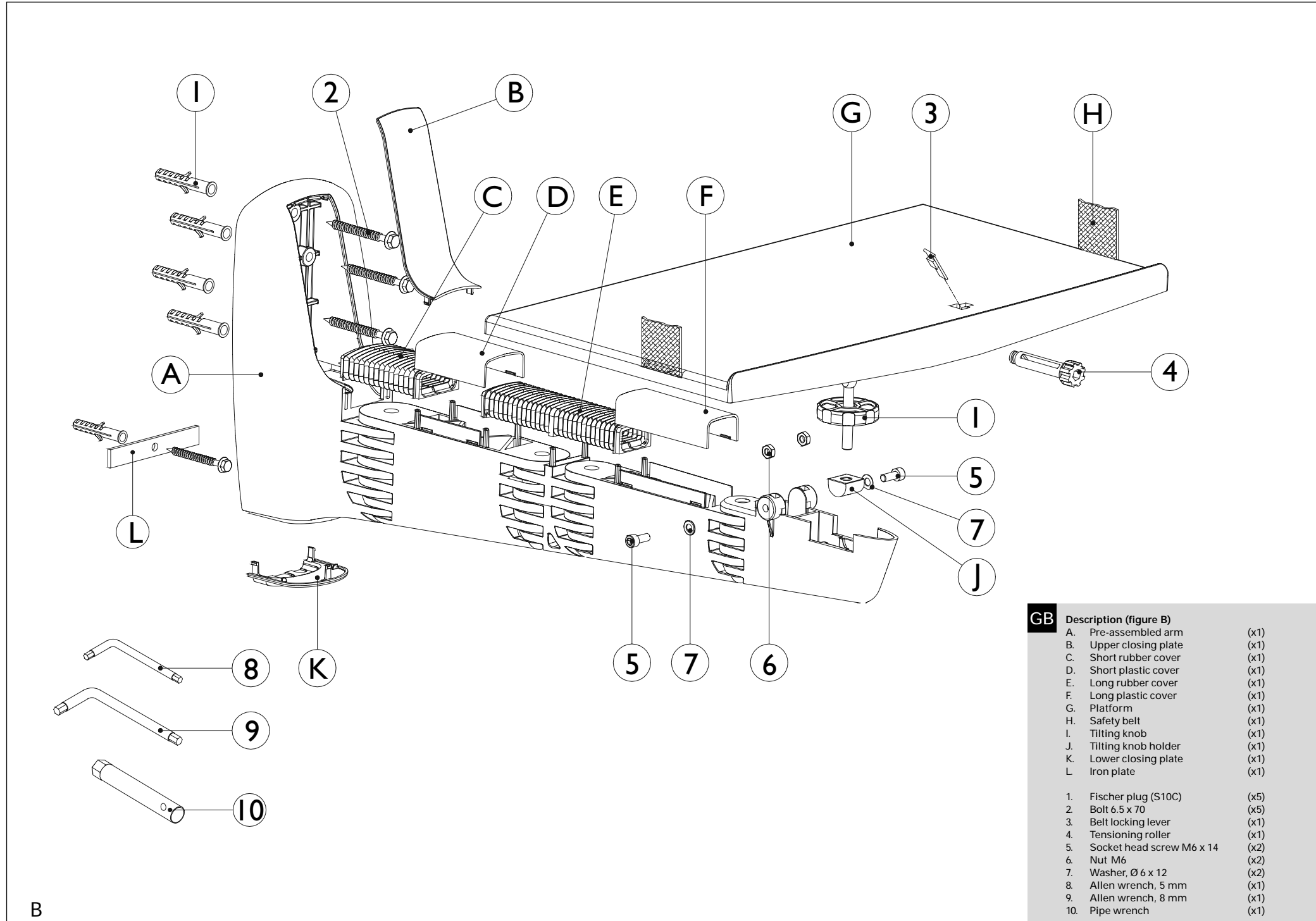


PHILIPS

Let's make things better.



PHILIPS



GB Description (figure B)		
A.	Pre-assembled arm	(x1)
B.	Upper closing plate	(x1)
C.	Short rubber cover	(x1)
D.	Short plastic cover	(x1)
E.	Long rubber cover	(x1)
F.	Long plastic cover	(x1)
G.	Platform	(x1)
H.	Safety belt	(x1)
I.	Tilting knob	(x1)
J.	Tilting knob holder	(x1)
K.	Lower closing plate	(x1)
L.	Iron plate	(x1)
1.	Fischer plug (S10C)	(x5)
2.	Bolt 6.5 x 70	(x5)
3.	Belt locking lever	(x1)
4.	Tensioning roller	(x1)
5.	Socket head screw M6 x 14	(x2)
6.	Nut M6	(x2)
7.	Washer, Ø 6 x 12	(x2)
8.	Allen wrench, 5 mm	(x1)
9.	Allen wrench, 8 mm	(x1)
10.	Pipe wrench	(x1)

## TR Teknik özellikler

- 25 inch (63 cm)'ye kadar olan televizyonlar için
- Azami yük: 60 kg
- Azami kol mesafesi: 730 mm
- Milin açışy: 360 derece
- Yana yatıymış platform: 23 derece (toplam)
- Platform ölçüsü: 520 x 320 mm
- Ürün ağırlığı: 4,8 kg
- KatıTÜV ve GS standartlarına uygundur

## Bakım

Eşsiz Ultra-LYTE TV duvar sehpaşny temizlemek için ılık, sabunlu su kullanın. Çözücü özellikli bir madde kullanmayın.

## Range of Accessories

