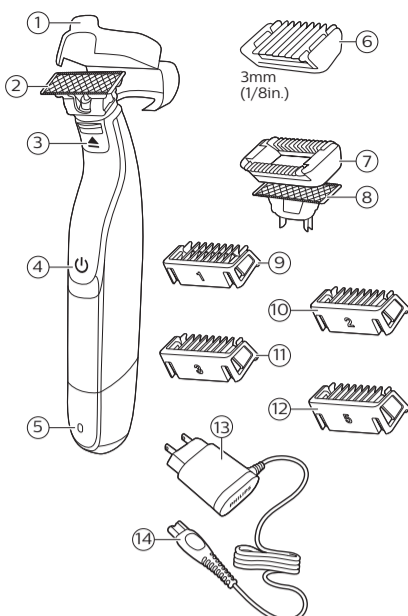


© 2017 Koninklijke Philips N.V.
 All rights reserved
 Tous droits réservés
 4222.002.8908.1 (24/8/2017)

>75% recycled paper
 >75% papier recyclé

- 2
- 3
- 4
- 5
- 6
- 7
- 8
- 9
- 10
- 11
- 12
- 13
- 14
- 15
- 16
- 17
- 18
- 19
- 20
- 21
- 22
- 23
- 24
- 25
- 26
- 27
- 28



English

Introduction

Congratulations on your purchase and welcome to Philips! To fully benefit from the support that Philips offers, register your product at www.philips.com/welcome.

General description (Fig. 1)

- 1 Protection cap
- 2 Face blade
- 3 Blade release slide
- 4 On/off button
- 5 Battery charge indicator
- 6 Click-on body comb 3mm (1/8in.)
- 7 Click-on skin guard
- 8 Body blade
- 9 Click-on stubble comb 1mm (3/64in.)
- 10 Click-on stubble comb 2mm (5/64in.)
- 11 Click-on stubble comb 3mm (1/8in.)
- 12 Click-on stubble comb 5mm (3/16in.)
- 13 Supply unit
- 14 Small plug

Important safety information

Read this important information carefully before you use the appliance and its accessories and save it for future reference. The accessories supplied may vary for different products.

Danger

- Keep the supply unit dry (Fig. 2).

Warning

- To charge the battery, only use the detachable supply unit (HQ8505) provided with the appliance.
- The supply unit contains a transformer. Do not cut off the supply unit to replace it with another plug, as this causes a hazardous situation.
- Children shall not play with the appliance. Cleaning and user maintenance shall not be made by children without supervision.
- Always unplug the appliance before you clean it under the tap.
- Always check the appliance before you use it. Do not use the appliance if it is damaged, as this may cause injury. Always replace a damaged part with one of the original type.
- Do not open the appliance to replace the rechargeable battery.

Caution

- Never immerse the charging stand in water and do not rinse it under the tap (Fig. 2).
- Do not use the supply unit in or near wall sockets that contain an electric air freshener to prevent irreparable damage to the supply unit.
- Only use this appliance for its intended purpose as shown in the user manual.
- For hygienic reasons, the appliance should only be used by one person.
- Never use water hotter than 60°C to rinse the appliance.
- Never use compressed air, scouring pads, abrasive cleaning agents or aggressive liquids such as petrol or acetone to clean the appliance.

Electromagnetic fields (EMF)

- This Philips appliance complies with all applicable standards and regulations regarding exposure to electromagnetic fields.

General

- This appliance is waterproof (Fig. 3). It is suitable for use in the bath or shower and for cleaning under the tap. For safety reasons, the appliance can therefore only be used without cord.
- The supply unit is suitable for mains voltages ranging from 100 to 240 volts.
- The supply unit transforms 100-240 volts to a safe low voltage of less than 24 volts.

Charging

Charge the appliance before first use and when the display indicates that the battery is almost empty. Charging takes approx. 4 hours. A fully charged appliance has an operating time of up to 60 minutes.

Note: This appliance can only be used without cord.

Battery status indicator

- When the battery status indicator flashes orange, the battery is almost empty (Fig. 4).
- When the appliance is charging, the battery status indicator light flashes green.
- When the battery is fully charged, the battery status indicator lights up green continuously (Fig. 5).

Note: Approx. 30 minutes after the battery is fully charged or when you disconnect the appliance from the mains, the light of the battery status indicator switches off automatically.

Charging with the supply unit

- 1 Make sure the appliance is switched off.
- 2 Put the small plug into the appliance and put the supply unit in the wall socket (Fig. 6).
The display of the appliance indicates that the appliance is charging.
- 3 After charging, remove the supply unit from the wall socket and pull the small plug out of the appliance.

Using the appliance

Your appliance comes with 2 blades. Use one blade for your face only and the other blade for your body.

The face blade and the stubble combs are for use on facial hair. It is not intended for shaving, edging or trimming hairs on lower body parts or scalp hair.

The body blade and body comb are for use on body parts below the neck.

The body blade with the skin guard attached are for use on sensitive body areas.

Note: This appliance can only be used without cord.

- Use the appliance with the face blade to trim, edge or shave facial hair (beard, moustache and sideburns). Shave for a smooth result, trim with the stubble comb to obtain a certain length and edge to create perfect edges and sharp lines.
- Use the appliance with the body blade to trim and/or shave your body hair. Shave your chest without the skin guard or body comb for a smooth result, shave your sensitive areas (e.g. groin, armpits) with the skin guard, use the body comb to trim your body.
- Take your time when you first start to use the appliance. You have to acquire practice with the appliance.

Switching the appliance on and off

- 1 To switch on the appliance, press the on/off button once (Fig. 7).
- 2 To switch off the appliance, press the on/off button once.

Face

Shaving

Warning: Before you use the appliance, always check the blade for damage or wear. If the blade is damaged or worn, do not use the appliance, as injury may occur. Replace a damaged blade before you use the appliance (see chapter 'Replacement').

Shaving tips and tricks

- Make sure that the blade is in full contact with the skin by placing it flat on the skin.
- For the best result, move the appliance against the grain.
- Make long strokes while pressing lightly.
- You can use the appliance dry or wet with gel or foam. You can even use the appliance in the shower.
- Shaving a clean beard and face gives the best results.

Shaving

Before you use the appliance, always check the blade for damage or wear. If the blade is damaged or worn, do not use the appliance, as injury may occur. Replace a damaged blade before you use the appliance.

- 1 Switch on the appliance.
- 2 Place the blade on the skin and move the appliance up or against the grain in long strokes while you press it lightly (Fig. 8).

Note: Make sure you hold the surface of the blade flat against your skin (Fig. 9).

- 3 Switch off and clean the appliance after every use (see 'Cleaning and maintenance').

Edging

- You can also use both edges of the blade to create sharp lines and perfect edges.
- Hold the appliance in such a way that the blade is perpendicular to the skin and one of its edges touches the skin. This allows more precise detailing of sideburns and the area around the mouth and nose.

- 1 Switch on the appliance.
- 2 Place the edge of the blade perpendicular onto the skin (Fig. 11).

Note: To use the blade for creating sharp edges and lines, use either edge of the blade (Fig. 10).

- 3 Make straight strokes while applying gentle pressure (Fig. 12).
- 4 Switch off and clean the appliance after every use (see 'Cleaning and maintenance').

Trimming with comb tips and tricks

The click-on stubble combs allow you to trim hair to different lengths. This appliance comes with 4 click-on stubble combs: 5mm (3/16in.), 3mm (1/8in.), 2mm (5/64in.) and 1mm (3/64in.). Start with the 5mm comb to acquire practice with this appliance. The indication on each comb corresponds to the hair length in millimeters.

- Always make sure that the tips of the click-on stubble comb point in the direction in which you move the appliance.

- Make sure that the flat part of the comb is always in full contact with the skin to obtain an even trimming result (Fig. 13).
- Since hair grows in different directions, you need to move the appliance in different directions as well (upward, downward or across).
- Trimming is easier when the skin and hair are dry.

Trimming with comb

- 1 Place the comb onto the blade, with the teeth of the comb pointing upwards (Fig. 14).

Note: Always trim in the direction of the teeth of the comb. This will give you the best results.

- 2 Switch on the appliance.
- 3 Place the comb onto the skin and move the appliance in the direction of the teeth of the comb (Fig. 15).

Note: For the best result, move it against the grain.

- 4 Switch off and clean the appliance after every use (see 'Cleaning and maintenance').
- 5 To remove the comb, hold it on both sides and pull it off the blade (Fig. 16).

Body

- For hygienic reasons, only use the body blade for trimming and shaving your body.
- For body trimming and shaving, make sure hair is clean and dry as wet hair tends to stick to the body and, when shaving sensitive areas, always use the skin guard.
- Since all hairs do not grow in the same direction, you may want to try different trimming positions (i.e. upwards, downwards, or across). Practice is best for optimum results.
- For the best result, move the appliance against the grain.
- Make long strokes while pressing lightly.
- Use the appliance dry or wet with gel or foam, even in the shower.
- Shaving a clean body gives the best results.

Shaving with skin guard

For optimal performance, use the skin guard only on sensitive areas (for example the groin and armpits).

- 1 Hold the skin guard on both sides and press onto the blade (Fig. 17).
- 2 Switch on (Fig. 7) the appliance.
- 3 Place the skin guard onto the skin and stretch the skin with your free hand. Move the appliance upwards slowly, against the grain (Fig. 18).
 - When using the appliance on your armpits, raise your arm and put your hand on the back of your head to stretch the skin.
 - Regularly remove cut hair from the guard. If a lot of hair has accumulated in the guard, remove it from the appliance and blow and/or shake out the hairs.
- 4 Switch off and clean the appliance after every use (see 'Cleaning and maintenance').
- 5 To remove the skin guard, put one finger under the edge of the guard and press on the blade with your thumb (Fig. 19).

Shaving without skin guard

The body blade without the skin guard allows you to shave hair on your body below the neckline (for example the chest) with a smooth result.

- 1 To remove the skin guard, put one finger under the edge of the guard and press with your thumb on the blade (Fig. 19).
- 2 Switch the appliance on (Fig. 7).
- 3 Place the blade on the skin and move the appliance against the grain in long strokes while pressing lightly. Stretch the skin with your free hand.

Note: Make sure you hold the surface of the blade flat against your skin (Fig. 9).

- When you use the appliance on your armpits, raise your arm and put your hand on the back of your head to stretch the skin.
- 4 Switch off and clean the appliance after every use.

Trimming with body comb

The 3mm (1.8in.) body comb allows you to trim hair on your body below the neckline (for example chest, armpits, groin).

- 1 Hold the body comb on both sides and press onto the blade (Fig. 20).
- 2 Switch the appliance on (Fig. 7).
- 3 Place the comb onto the skin and stretch the skin with your free hand. Move the appliance upwards slowly, against the grain (Fig. 21).
 - Make sure that the flat part of the comb is always in full contact with the skin to obtain an even trimming result (Fig. 13).
 - When you use the appliance on your armpits, raise your arm and put your hand on the back of your head to stretch the skin.
 - Regularly remove cut hair from the guard. If a lot of hair has accumulated in the guard, remove it from the appliance and blow and/or shake out the hairs.
- 4 Switch off and clean the appliance after each use.
- 5 To remove the comb, hold it on both sides and pull it off the blade (Fig. 16).

Cleaning and maintenance

Clean the appliance after every use.

Never use compressed air, scouring pads, abrasive cleaning agents or aggressive liquids such as petrol or acetone to clean the appliance.

Do not tap the appliance against a surface to remove water from it, as this may cause damage. Replace the blade if it is damaged.

Never dry the blade with a towel or tissue, as this may cause damage.

Cleaning the appliance

- 1 Remove the comb from the blade (Fig. 16). Always turn the appliance off before putting on or taking off combs.

- 2 Blow off any hairs that have accumulated on the blade and/or combs.
- 3 Switch on the appliance and rinse the blade with lukewarm water (Fig. 22).

Caution: Do not dry the blade with a towel or a tissue as this may cause damage.

- 4 Rinse the combs with lukewarm water.
- 5 Carefully shake off excess water and let all parts air dry completely.

Note: The blade is fragile. Handle it carefully. Replace the blade if it is damaged.

Storage

Attach the body comb on the body blade to protect the blade from damage.

Always attach the protection cap on the blade to protect the blade from damage during travelling or storage.

We advise you to let the appliance and its attachments are completely dry before you store them for the next use.

- 1 Place the protection cap onto the edge of the blade (Fig. 23).
- 2 Close the protection cap (Fig. 24).

Replacement

Usage indicator

For optimal cutting and gliding performance, we advise you to replace the blade every 4 months, when it no longer provides the shaving or trimming results you expect.

The blade is equipped with an usage indicator. A green bar will gradually appear on the blade as you use it (Fig. 25). When it is highly visible, it is recommended to replace your blade for the best OneBlade experience. Always replace the blade with original Philips blade.

Depending on your usage behavior, the exact lifetime of the blade could be longer or shorter. Similar to a manual blade, the blade becomes blunt over time, which results in increased hair pulling and reduced cutting performance.

Replacing the blade

- 1 Switch off the appliance.
- 2 Push the blade release slide upwards carefully, and hold the blade on its sides to remove the blade and prevent it from flying away (Fig. 26).
- 3 Hold the new blade on its sides and press it onto the handle ('click') (Fig. 27).

Note: Be careful, the edges of the blade are sharp. When you hear a click the new blade is placed correctly and ready for use.

Ordering accessories

To buy accessories or spare parts, visit

www.shop.philips.com/service or go to your Philips dealer. You can also contact the Philips Consumer Care Center in your country (see the international warranty leaflet for contact details).

The following accessories are available:

- Model QP210 Philips Replacement Blade, 1-Pack
- Model QP220 Philips Replacement Blade, 2-Pack
- Model QP610 Philips Body kit
- Model QP620 Philips Face and Body kit

Disposal

- This product contains a rechargeable lithium-ion battery which must be disposed of properly.
- Contact your local town or city officials for battery disposal information. You can also call 1-888-224-9764 or visit **www.call2recycle.ca** for battery drop-off locations.
- For assistance, visit our website **www.philips.com/support** or call 1-800-243-3050 toll free.
- Your product is designed and manufactured with high quality materials and components, which can be recycled and reused. For recycling information, please contact your local waste management facilities or visit **www.recycle.philips.com**.

Removing the rechargeable battery

Only remove the rechargeable battery when you discard the product. Before you remove the battery, make sure that the product is disconnected from the wall socket and that the battery is completely empty.

Take any necessary safety precautions when you handle tools to open the product and when you dispose of the rechargeable battery.

- 1 Disconnect the appliance from the mains and let the appliance run until the motor stops.
- 2 Remove the blade from the appliance.
- 3 Remove the bottom of the appliance by bending it downwards and pull it off.
- 4 Take out the battery compartment by separating the bottom part from the top part.
- 5 Separate the battery section from the bottom part.
- 6 Lift the battery out of the inner body with the screwdriver. The battery is connected with double-sided tape.

Warning: Be careful, the battery strips are very sharp.

Warranty and support

If you need information or support, please

www.philips.com/support or call toll free:

1-866-800-9311. To locate the nearest Philips warranty depot, visit our website **www.philips.com**.

Guarantee restrictions

- Philips Consumer Lifestyle warrants its products for a period of two years after the date of purchase. If any defect due to faulty materials and workmanship occurs within this two-year warranty period, Philips Consumer Lifestyle will repair or replace the product at its expense.

- Philips Consumer Lifestyle will only pay for repair or replacement if convincing proof is provided, for instance by means of a receipt, that the day on which service is claimed is within the guarantee period. Parts that are subject to wear (such as cutting units and shaving heads) are not covered by the terms of the international guarantee.
- The guarantee is not valid if a defect is due to damage caused by incorrect use, poor maintenance (e.g. parts blocked by scale) or if alterations or repairs have been carried out by persons not authorized by Philips Consumer Lifestyle.
- For the appliance to be used correctly, the user should strictly adhere to all instructions included in the user manual and should abstain from any actions or uses that are described as undesired or which are warned against in the user manual.
- These warranty restrictions do not affect your statutory rights.

Français (Canada)

Introduction

Félicitations pour votre achat et bienvenue dans l'univers Philips! Pour profiter pleinement des avantages de l'assistance Philips, enregistrez votre produit à l'adresse www.philips.com/welcome.

Description générale (fig. 1)

Description générale (fig. 1)

- 1 Capuchon de protection
- 2 Lame pour le visage
- 3 Glissière de libération de la lame
- 4 Bouton marche/arrêt
- 5 Témoin de charge de la batterie
- 6 Sabot amovible pour les poils corporels de 3 mm (1/8 po)
- 7 Grille protectrice amovible
- 8 Lame pour le corps
- 9 Sabot amovible pour barbe de trois jours de 1 mm (3/64 po)
- 10 Sabot amovible pour barbe de trois jours de 2 mm (5/64 po)
- 11 Sabot amovible pour barbe de trois jours de 3 mm (1/8 po)
- 12 Sabot amovible pour barbe de trois jours de 5 mm (3/16 po)
- 13 Bloc d'alimentation
- 14 Petite fiche

Renseignements importants sur la sécurité

Lisez attentivement ces informations importantes avant d'utiliser l'appareil et ses accessoires et conservez-les pour un usage ultérieur. Les accessoires fournis peuvent varier selon les différents produits.

Danger

- Gardez le bloc d'alimentation au sec (fig. 2).

Avertissement

- Pour charger la batterie, utilisez uniquement le bloc d'alimentation détachable (HQ8505) fourni avec l'appareil.
- Le bloc d'alimentation contient un transformateur. Pour éviter tout risque d'accident, ne coupez pas la fiche du bloc d'alimentation pour la remplacer par une autre.
- Les enfants ne doivent pas jouer avec l'appareil. Le nettoyage et l'entretien ne doivent pas être effectués par des enfants sans surveillance.
- Débranchez toujours l'appareil avant de le nettoyer sous le robinet.
- Vérifiez toujours l'appareil avant utilisation. Afin d'éviter tout accident, n'utilisez pas l'appareil s'il est endommagé. Remplacez toujours une pièce endommagée par une pièce du même type.
- N'ouvrez pas l'appareil pour remplacer la pile rechargeable.

Attention

- Ne plongez jamais la base de recharge dans l'eau et ne la rincez pas sous le robinet (fig. 2).
- Ne branchez pas le bloc d'alimentation sur une prise de courant ou près d'une prise de courant qui contient un désodorisant électrique afin d'éviter des dommages irréparables au bloc d'alimentation.
- N'utilisez cet appareil qu'aux fins décrites dans le mode d'emploi.
- Pour des raisons d'hygiène, l'appareil doit être utilisé par une seule personne.
- N'utilisez jamais d'eau dont la température est supérieure à 60 °C pour rincer l'appareil.
- N'utilisez jamais d'air comprimé, de tampons à récurer, de produits abrasifs ou de détergents agressifs tels que de l'essence ou de l'acétone pour nettoyer l'appareil.

Champs électromagnétiques (CEM)

- Cet Philips appareil est conforme à toutes les normes et à tous les règlements applicables relatifs à l'exposition aux champs électromagnétiques.

Général

- Cet appareil est étanche (fig. 3). Il peut être utilisé dans la baignoire et sous la douche, et peut être nettoyé sous l'eau du robinet. Pour des raisons de sécurité, l'appareil est uniquement prévu pour une utilisation sans fil.
- L'appareil est conçu pour une tension secteur comprise entre 100 V et 240 V.
- Le bloc d'alimentation transforme la tension de 100-240 volts en tension plus faible et plus sécuritaire de 24 volts.

Charge en cours

Mettez l'appareil en charge avant de l'utiliser et lorsque l'afficheur indique que la batterie est presque déchargée.

Le chargement dure environ 4 heures.

Un appareil complètement rechargé dispose d'une autonomie maximale de 60 minutes.

Remarque : Cet appareil est uniquement conçu pour une utilisation sans fil.

Témoin d'état de la batterie

- Quand le témoin de l'état de la batterie clignote en orange, la batterie est presque vide (fig. 4).
- Lorsque l'appareil est en cours de charge, le témoin d'état de la batterie clignote en vert.
- Le témoin d'état de la batterie reste (fig. 5) allumé en vert lorsque la batterie est entièrement chargée.

Remarque : Environ 30 minutes après la charge complète de la batterie ou lorsque vous coupez l'alimentation de l'appareil, le témoin d'état de la batterie s'éteint automatiquement.

Chargement à l'aide du bloc d'alimentation

- 1 Assurez-vous que l'appareil est bien éteint.
- 2 Insérez la petite fiche dans l'appareil et branchez le bloc d'alimentation sur la prise (fig. 6) murale.
L'afficheur de l'appareil indique que l'appareil est en cours de charge.
- 3 Une fois la charge terminée, débranchez le bloc d'alimentation de la prise murale, puis retirez la petite fiche de l'appareil.

Utilisation de l'appareil

Votre appareil est fourni avec 2 lames. Utilisez une lame pour votre visage seulement et l'autre lame pour votre corps.

La lame pour le visage et les sabots pour barbe de trois jours sont conçus pour les poils du visage. Ils ne sont pas conçus pour le rasage, la délimitation des contours, la tonte des poils du reste du corps ni la coupe des cheveux.

La lame pour le corps et le sabot pour les poils corporels sont conçus pour les parties du corps situées en dessous de la nuque.

La lame pour le corps munie d'une grille protectrice est conçue pour les zones sensibles du corps.

Remarque : Cet appareil est uniquement conçu pour une utilisation sans fil.

- Utilisez l'appareil muni de la lame pour le visage pour tailler, délimiter ou raser les poils du visage (barbe, moustache et favoris). Rasez pour un résultat parfaitement lisse, taillez à l'aide du sabot pour barbe de trois jours pour obtenir une certaine longueur et délimitez pour créer des contours parfaits et des lignes nettes.
- Utilisez l'appareil muni de la lame pour le corps pour tailler ou raser les poils corporels. Rasez votre torse sans la grille protectrice ou le sabot pour les poils corporels afin d'obtenir un résultat lisse, rasez les zones sensibles de votre corps (région de l'aîne, aisselles) à l'aide de la grille protectrice et utilisez le sabot pour les poils corporels pour tailler vos poils corporels.
- Lorsque vous utilisez l'appareil pour la première fois, prenez votre temps. Vous devez vous familiariser avec l'appareil.

Mise en marche et arrêt de l'appareil

Mise en marche et arrêt de l'appareil

- 1 Pour allumer l'appareil, appuyez sur le bouton marche/arrêt.
- 2 Pour éteindre l'appareil, appuyez sur le bouton marche/arrêt.

Visage

Rasage

Avertissement : Avant d'utiliser l'appareil, vérifiez toujours que la lame n'est pas endommagée ou usée. N'utilisez pas l'appareil si la lame est endommagée ou usée, afin d'éviter tout accident. Remplacez une lame qui est endommagée avant d'utiliser l'appareil (voir le chapitre « Remplacement »).

Trucs et astuces de rasage

- Vérifiez que la lame est toujours entièrement en contact avec la peau en la posant à plat sur la peau.
- Pour un résultat optimal, déplacez l'appareil dans le sens inverse de la pousse des poils.
- Effectuez de longs mouvements tout en appuyant légèrement.
- Vous pouvez utiliser l'appareil sur peau sèche ou humide en appliquant du gel ou de la mousse. Vous pouvez même l'utiliser sous la douche.
- Les meilleurs résultats de rasage sont obtenus sur une barbe et un visage propres..

Rasage

Avant d'utiliser l'appareil, vérifiez toujours que la lame n'est pas endommagée ou usée. N'utilisez pas l'appareil si la lame est endommagée ou usée, afin d'éviter tout accident. Remplacez une lame qui est endommagée avant d'utiliser l'appareil.

- 1 Allumez l'appareil.
- 2 Placez la lame sur la peau et déplacez le rasoir vers le haut ou dans le sens inverse de la pousse des poils en faisant de longs mouvements tout en appuyant légèrement (fig. 8).

Remarque : Veillez à maintenir la surface de la lame à plat contre votre peau (fig. 9).

- 3 Éteignez et nettoyez l'appareil après chaque utilisation (voir 'Nettoyage et entretien').

Délimitation des contours

- Vous pouvez également utiliser les deux bords de la lame pour créer des lignes nettes et des contours parfaits.

- Tenez l'appareil de manière à ce que la lame soit perpendiculaire à la peau et que l'un de ses bords touche la peau. Ceci permet un travail minutieux, plus précis, des favoris et de la zone autour de la bouche et du nez.

- 1 Allumez l'appareil.
- 2 Placez le bord de la lame de façon perpendiculaire sur la peau (fig. 11).

Remarque : Pour utiliser la lame afin d'obtenir des lignes et des contours nets, utilisez l'un des bords de la lame (fig. 10).

- 3 Effectuez des mouvements droits tout en exerçant une légère pression (fig. 12).
- 4 Éteignez et nettoyez l'appareil après chaque utilisation (voir 'Nettoyage et entretien').

Trucs et astuces de taille avec les sabots de coupe

Les sabots amovibles pour barbe de trois jours vous permettent de vous raser à différentes longueurs. Cet appareil est muni de 4 sabots amovibles pour barbe de trois jours : 5 mm (3/16 po), 3 mm (1/8 po), 2 mm (5/64 po) et 1 mm (3/64 po). Utilisez le sabot de 5 mm pour vous exercer avec l'appareil. L'indication sur chaque sabot correspond à la longueur de barbe en millimètres.

- Assurez-vous toujours que les dents du sabot amovible pour barbe de trois jours sont orientées dans le sens de déplacement de l'appareil.
- Assurez-vous que la partie plate du sabot est toujours bien en contact avec la peau pour obtenir une taille régulière (fig. 13).
- Comme les poils ne poussent pas tous dans le même sens, vous devrez adapter les mouvements de l'appareil (vers le haut, le bas ou en diagonale).
- Vous obtiendrez une meilleure taille si vous utilisez le rasoir sur une peau ou des poils secs.

Taille avec les sabots de coupe

- 1 Placez le sabot sur la lame, en veillant à orienter les dents du sabot vers le haut (fig. 14).

Remarque : Veillez à toujours tailler dans le sens des dents du sabot. Ceci vous permettra d'obtenir des résultats optimaux.

- 2 Allumez l'appareil.
- 3 Placez le sabot sur la peau et déplacez l'appareil dans le sens des dents du sabot (fig. 15).

Remarque : Pour un résultat optimal, déplacez-le dans le sens inverse de la pousse des poils.

- 4 Éteignez et nettoyez l'appareil après chaque utilisation (voir 'Nettoyage et entretien').
- 5 Pour retirer le sabot, tenez-le par les deux côtés, puis retirez-le de la lame (fig. 16).

Corps

- Pour des raisons d'hygiène, utilisez seulement la lame pour le corps pour tailler et raser les poils de votre corps.
- Lorsque vous taillez et rasez les poils de votre corps, assurez-vous qu'ils sont propres et secs, car les poils mouillés ont tendance à coller au corps. Lorsque vous rasez les poils des zones sensibles, utilisez toujours la grille protectrice.
- Comme les poils ne poussent pas tous dans le même sens, vous devrez adapter vos mouvements (vers le haut, vers le bas ou en diagonale). Vous obtiendrez de meilleurs résultats en vous exerçant.
- Pour un résultat optimal, déplacez l'appareil dans le sens inverse de la pousse des poils.
- Effectuez de longs mouvements tout en appuyant légèrement.
- Utilisez l'appareil sur peau sèche ou humide en appliquant du gel ou de la mousse, même sous la douche.
- Vous obtiendrez les meilleurs résultats de rasage en lavant votre corps avant de raser.

Rasage à l'aide de la grille protectrice

Pour un rendement optimal, utilisez la grille protectrice seulement sur les zones sensibles (par exemple, la région de l'aîne et les aisselles).

- 1 Tenez la grille protectrice des deux côtés et pressez-la contre la lame (fig. 17).
- 2 Allumez (fig. 7) l'appareil.
- 3 Placez la grille protectrice contre la peau et tendez la peau à l'aide de votre main libre. Déplacez lentement l'appareil vers le haut, dans le sens inverse de la pousse du poil (fig. 18).
 - Lorsque vous utilisez l'appareil sur les aisselles, levez le bras et placez votre main libre à l'arrière de la tête pour étirer la peau.
 - Retirez fréquemment les poils coupés qui se trouvent dans la grille. Si des poils se sont accumulés dans la grille, retirez-la de l'appareil et enlevez les poils en soufflant dessus ou en secouant l'appareil.
- 4 Éteignez et nettoyez l'appareil après chaque utilisation (voir le chapitre « Nettoyage et entretien »).
- 5 Pour retirer la grille protectrice, glissez un doigt sous le bord de la grille et appuyez sur la lame à l'aide de votre pouce (fig. 19).

Rasage sans la grille protectrice

L'utilisation de la lame pour le corps sans la grille protectrice vous permet de raser les poils situés en dessous de la nuque (par exemple, le torse) afin d'obtenir un résultat lisse.

- 1 Pour retirer la grille protectrice, glissez un doigt sous le bord de la grille et appuyez sur la lame (fig. 19) à l'aide de votre pouce.
- 2 Allumez (fig. 7) l'appareil.
- 3 Placez la lame sur la peau et déplacez l'appareil vers le haut ou dans le sens inverse de la pousse des poils en faisant de longs mouvements tout en appuyant légèrement. Tendez la peau avec votre main libre.

Remarque : Veillez à maintenir la surface de la lame à plat contre votre peau (fig. 9).

- Lorsque vous utilisez l'appareil sur les aisselles, levez le bras et placez votre main libre à l'arrière de la tête pour étirer la peau.
- 4 Éteignez et nettoyez l'appareil après chaque utilisation.

Tonte à l'aide du sabot pour les poils corporels

L'utilisation du sabot pour les poils corporels de 3 mm (1/8 po) vous permet de tailler les poils situés en dessous de la nuque (par exemple, le torse, les aisselles et la région de l'aîne).

- 1 Tenez le sabot pour les poils corporels des deux côtés et pressez-le contre la lame (fig. 20).
- 2 Allumez (fig. 7) l'appareil.
- 3 Placez le sabot contre la peau et tendez la peau à l'aide de votre main libre. Déplacez lentement l'appareil vers le haut, dans le sens inverse de la pousse du poil (fig. 21).
 - Assurez-vous que la partie plate du sabot est toujours bien en contact avec la peau pour obtenir une taille régulière (fig. 13).
 - Lorsque vous utilisez l'appareil sur les aisselles, levez le bras et placez votre main libre à l'arrière de la tête pour étirer la peau.
 - Retirez fréquemment les poils coupés qui se trouvent dans la grille. Si des poils se sont accumulés dans la grille, retirez-la de l'appareil et enlevez les poils en soufflant dessus ou en secouant l'appareil.
- 4 Éteignez et nettoyez l'appareil après chaque utilisation.
- 5 Pour retirer le sabot, tenez-le par les deux côtés, puis retirez-le de la lame (fig. 16).

Nettoyage et entretien

Nettoyez l'appareil après chaque utilisation.

N'utilisez jamais d'air comprimé, de tampons à récurer, de produits abrasifs ou puissants tels que de l'essence ou de l'acétone pour nettoyer l'appareil.

Ne tapez pas l'appareil sur une surface pour en éliminer l'eau car vous risqueriez de l'endommager. Remplacez la lame si elle est endommagée.

N'essuyez jamais la lame avec une serviette ou un mouchoir en papier, car cela pourrait l'endommager.

Nettoyage de l'appareil

- 1 Retirez le sabot de la lame (fig. 16). Éteignez toujours l'appareil avant d'y mettre des sabots ou d'en retirer.
- 2 Enlevez les poils accumulés sur la lame ou les sabots en les soufflant.
- 3 Allumez l'appareil et rincez la lame à l'eau (fig. 22) tiède.

Attention : N'essuyez pas la lame avec une serviette ou un mouchoir en papier, cela pourrait l'endommager.

- 4 Rincez les peignes à l'eau tiède.
- 5 Retirez l'excès d'eau en secouant délicatement les pièces, puis laissez sécher complètement à l'air toutes les pièces.

Remarque : La lame est fragile. Manipulez-la soigneusement. Remplacez la lame si elle est endommagée.

Rangement

Fixez le sabot pour les poils corporels à la lame pour le corps afin de protéger cette dernière contre les dommages.

Fixez toujours le capuchon de protection sur la lame afin d'éviter que cette dernière ne soit endommagée lors de déplacements ou pendant l'entreposage.

Nous vous conseillons de laisser sécher complètement l'appareil et ses accessoires avant de les ranger pour la prochaine utilisation.

- 1 Placez le capuchon de protection sur le bord de la lame (fig. 23).
- 2 Fermez le capuchon (fig. 24) de protection.

Remplacement

Indicateur d'utilisation

Pour des performances de coupe et de glissement de la lame optimales, nous vous conseillons de remplacer la lame tous les 4 mois, lorsqu'elle ne vous offre plus les résultats escomptés en matière de rasage et de coupe.

La lame est dotée d'un indicateur d'usure. Une barre verte apparaîtra graduellement sur la lame à mesure que vous l'utilisez (fig. 25). Lorsque la barre est très visible, nous vous recommandons de remplacer la lame pour profiter de la meilleure expérience OneBlade qui soit. Remplacez toujours la lame par une lame Philips originale.

La durée de vie exacte de la lame peut être plus longue ou plus courte, selon vos habitudes de rasage. Tout comme une lame manuelle, cette lame s'émousse avec le temps, ce qui entraîne un tirage des poils accru et des performances de coupe réduites.

Remplacement de la lame

- 1 Éteignez l'appareil.
- 2 Faites glisser délicatement la glissière de libération de la lame vers le haut et tenez la lame des deux côtés pour la retirer et l'empêcher de partir brusquement (fig. 26).
- 3 Tenez la nouvelle lame des deux côtés et pressez-la contre le manche (clic) (fig. 27).

Remarque : Attention, les bords de la lame sont coupants. Lorsque vous entendez un clic, la nouvelle lame est correctement installée et prête à l'emploi.

Commande d'accessoires

Pour acheter des accessoires ou des pièces de rechange, visitez le site Web

www.shop.philips.com/service ou rendez-vous chez votre revendeur Philips. Vous pouvez également communiquer avec le service à la clientèle Philips de votre pays (consulter le dépliant de garantie internationale pour obtenir les coordonnées).

Les accessoires suivants sont offerts :

- Lame de remplacement Philips, modèle QP210, individuelle
- Lame de remplacement Philips, modèle QP220, lot de 2
- Trousse pour le corps Philips, modèle QP610

- Trousse pour le visage et le corps Philips, modèle QP620

Mise au rebut

- Ce produit contient une batterie rechargeable au lithium-ion qui doit être mise au rebut de façon appropriée.
- Communiquez avec les responsables locaux de votre ville pour obtenir des renseignements. Vous pouvez également appeler au 1 888 224-9764 ou consulter le site www.call2recycle.ca pour connaître les lieux de mise au rebut des batteries.
- Pour obtenir de l'aide, visitez le site Web www.philips.com/support ou composez le numéro sans frais 1-800-243-3050.
- Votre produit a été conçu et fabriqué avec des matériaux et composants de grande qualité, qui peuvent être recyclés et réutilisés. Pour obtenir des informations sur le recyclage, contactez vos installations locales de gestion des déchets ou visitez le site www.recycle.philips.com.

Retrait de la batterie rechargeable

Ne retirez la batterie rechargeable que lorsque vous mettez le produit au rebut. Avant de retirer la batterie, assurez-vous que le produit est débranché de la prise de courant et que la batterie est complètement déchargée.

Prenez toutes les précautions nécessaires lorsque vous manipulez des outils pour ouvrir le produit et lorsque vous mettez la batterie au rebut.

- 1 Débranchez l'appareil de la prise de courant, puis laissez-le fonctionner jusqu'à ce que le moteur s'arrête.
- 2 Retirez la lame de l'appareil.
- 3 Pour retirer la partie inférieure de l'appareil, courbez-la vers le bas et tirez dessus.
- 4 Retirez le couvercle du compartiment de la batterie en séparant la partie inférieure de la partie supérieure.
- 5 Séparez la batterie de la partie inférieure.
- 6 Retirez la batterie à l'aide du tournevis. La batterie est maintenue par du ruban adhésif double face.

Avertissement : Attention, les barrettes de connexion de la batterie sont très coupantes.

Garantie et support

Si vous avez besoin d'aide ou d'informations supplémentaires, consultez le site Web www.philips.com/support, ou appelez le numéro sans frais : 1-866-800-9311. Pour localiser le dépôt de garantie Philips le plus proche, visitez notre site Web www.philips.com.

Limites de la garantie

- Philips Consumer Lifestyle garantit ses produits pendant deux ans à compter de la date d'achat. En cas de défaillance de l'appareil signalée au cours de la période de garantie, Philips Consumer Lifestyle s'engage à réparer ou à remplacer le produit à ses frais.
- Philips Consumer Lifestyle prend en charge les frais de réparation ou de remplacement uniquement sur présentation de la preuve d'achat (un reçu par exemple) prouvant que le produit est couvert par la garantie au moment de la demande. Étant susceptibles de s'user, les têtes de rasage (lames et dresse-pois) ne sont pas couvertes par la garantie internationale.
- Cette garantie n'est pas valide si le produit ne fonctionne pas en raison d'un dommage causé par une utilisation inadéquate, un mauvais entretien (p. ex. pièces bloquées par un dépôt calcaire) ou si des modifications ou des réparations ont été effectuées par une personne non autorisée par Philips Consumer Lifestyle.
- Pour garantir une utilisation correcte du produit, l'utilisateur est tenu de respecter scrupuleusement toutes les instructions du mode d'emploi et doit éviter toute action déconseillée voire même contre-indiquée dans ce mode d'emploi.
- Les limites de cette garantie n'ont aucune incidence sur vos droits prévus par la loi.