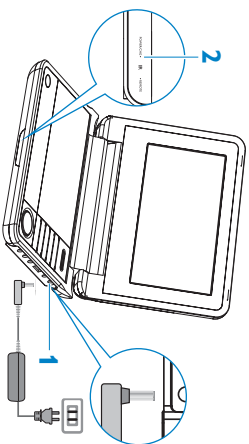


Quick start guide

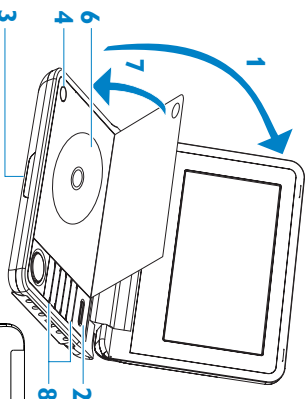
1 Charge



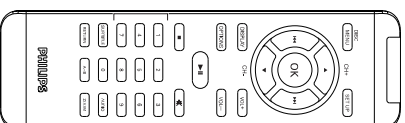
- 1 Connect the supplied adapter to the set and the AC outlet.
- 2 RED light turns on.
- 3 The RED light comes on.
- 4 The battery pack will be fully charged in approximately 4 hours. When the RED light goes out, it means that the battery pack is fully charged.

TIP Your battery will continue to charge while the player is in use. However, the RED light will not be lit and it will take approximately 8 hours to fully charge the battery pack.

2 Enjoy

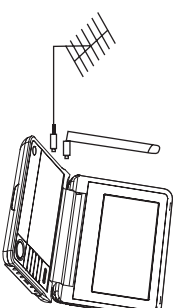


- 1 Open the lid.
- 2 Switch ON the set.
- 3 The GREEN light turns on.
- 4 Open the DVD door by pressing the OPEN.
- 5 Remove protective card (if any).
- 6 Load the DVD disc.
- 7 Close the DVD door and the set will automatically start to playback.
- 8 Use control keys on the set or remote control.



▲ OPEN HERE

3 Analog TV



Antenna connection

Before you start to search for TV channels, connect the DVD player to the antenna as shown.

Setup you TV

- 1 Press **OPTIONS** and select **SOURCES > TV**.
- 2 In TV mode, press **SETUP**, the TV Setup menu will be displayed to show the following available functions:

tv setup menu	setup exit
tv mode	china
auto search	russsia
ch. manage	usa
fine tuning	hongkong
setup exit	india
setup exit	setup exit

- 3 Use ▲ / ▼ key to select **AUTO SEARCH**, then press **OK**. The system will remind you to select area first.
- 4 Use ▲ / ▼ key to select your country.

When area is set, the system will start auto search. After search is completed, the first channel found will be displayed.

Enjoy TV

Press **CH-/CH+** to change channels.