

# Always there to help you

Register your product and get support at  
[www.philips.com/support](http://www.philips.com/support)

PD9025

Question?  
Contact  
Philips



## User manual

# PHILIPS



# Contents

---

<b>1 Important</b>	2	<b>7 Mount the player on the headrest of your car</b>	15
Safety and notice	2		
Safety	2		
Notice	3		
Copyright	4	<b>8 Specifications</b>	16
Compliance	4		
Warranty	4	<b>9 Troubleshooting</b>	17

---

<b>2 Your portable DVD player</b>	5		
What's in the box	5		
Overview of the main unit	6		
Overview of the remote control	7		

---

<b>3 Get started</b>	9		
Charge power	9		
Install remote control battery	9		
Switch the player on or off	10		
Select the language for onscreen instructions	10		

---

<b>4 Play music or movies</b>	10		
Play from discs	10		
Play options	10		
Play from USB	12		
Connect additional equipment	12		

---

<b>5 Watch TV</b>	13		
Connect TV antenna	13		
Tune in to TV channels	13		
Manage channel	13		
View program information (DTV)	13		
Access teletext	14		
Use the electronic program guide (DTV)	14		

---

<b>6 Adjust settings</b>	14		
General settings	14		
Display settings	15		

# 1 Important

---

## Safety and notice

Read and understand all instructions before you use this product. If damage is caused by failure to follow the instructions, the warranty does not apply.

---

## Safety

- Only use attachments/accessories specified by the manufacturer.
- Use only power supplies listed in the user manual.
- The product shall not be exposed to dripping or splashing.
- Do not place any sources of danger on the product (e.g. liquid filled objects, lighted candles).
- Batteries (battery pack or batteries installed) shall not be exposed to excessive heat such as sunshine, fire or the like.
- Danger of explosion if battery is incorrectly replaced. Replace only with the same or equivalent type.

### Risk of swallowing batteries!

- The product or remote control may contain a button cell battery, which is possible to be swallowed. Keep the battery out of reach of children at all times! If swallowed, the battery can cause serious injury or death. Severe internal burns can occur within two hours of ingestion.
- If you suspect that a battery has been swallowed or placed inside any part of the body, seek immediate medical attention.
- When you change the batteries, always keep all new and used batteries out of reach of children. Ensure that the battery

compartment is completely secure after you replace the battery.

- If the battery compartment cannot be completely secured, discontinue use of the product. Keep out of reach of children and contact the manufacturer.

**Modification of the product could result in hazardous radiation of EMC or other unsafe operation.**



### Warning

- Where the MAINS plug or an appliance coupler is used as the disconnect device, the disconnect device shall remain readily operable.



### Warning

- Never remove the casing of this product.
- Never lubricate any part of this product.
- Never place this product on other electrical equipment.
- Keep this product away from direct sunlight, naked flames or heat.
- Never look into the laser beam inside this product.
- Ensure that you always have easy access to the power cord, plug or adaptor to disconnect the product from the power.

---

## Hearing safety

**Listen at a moderate volume.**

- Using headphones at a high volume can impair your hearing. This product can produce sounds in decibel ranges that may cause hearing loss for a normal person, even for exposure less than a minute. The higher decibel ranges are offered for those that may have already experienced some hearing loss.
- Sound can be deceiving. Over time your hearing 'comfort level' adapts to higher volumes of sound. So after prolonged listening, what sounds 'normal' can actually be loud and harmful to your hearing. To guard against this, set your volume to a safe level before your hearing adapts and leave it there.

### To establish a safe volume level:

- Set your volume control at a low setting.
- Slowly increase the sound until you can hear it comfortably and clearly, without distortion.

### Listen for reasonable periods of time:

- Prolonged exposure to sound, even at normally 'safe' levels, can also cause hearing loss.
- Be sure to use your equipment reasonably and take appropriate breaks.

### Be sure to observe the following guidelines when using your headphones.

- Listen at reasonable volumes for reasonable periods of time.
- Be careful not to adjust the volume as your hearing adapts.
- Do not turn up the volume so high that you can't hear what's around you.
- You should use caution or temporarily discontinue use in potentially hazardous situations. Do not use headphones while operating a motorized vehicle, cycling, skateboarding, etc.; it may create a traffic hazard and is illegal in many areas.



This symbol on a product means that the product is covered by European Directive 2012/19/EU.



This symbol means that the product contains a built-in rechargeable battery covered by European Directive 2013/56/EU which cannot be disposed of with normal household waste. We strongly advise you to take your product to an official collection point or a Philips service centre to have a professional remove the rechargeable battery.

Inform yourself about the local separate collection system for electrical and electronic products and rechargeable batteries. Follow local rules and never dispose of the product and rechargeable batteries with normal household waste. Correct disposal of old products and rechargeable batteries helps prevent negative consequences for the environment and human health.

---

## Notice



This product complies with the radio interference requirements of the European Community.

### Disposal of your old product and battery



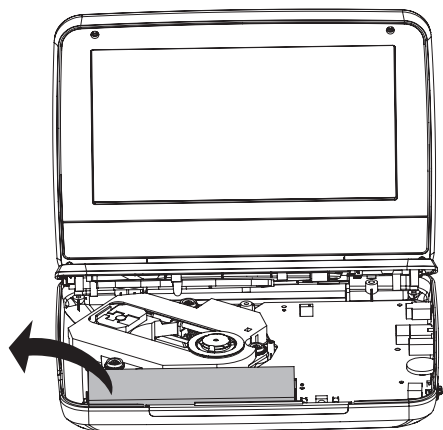
Your product is designed and manufactured with high quality materials and components, which can be recycled and reused.

### Environmental information

All unnecessary packaging has been omitted. We have tried to make the packaging easy to separate into three materials: cardboard (box), polystyrene foam (buffer) and polyethylene (bags, protective foam sheet.)

Your system consists of materials which can be recycled and reused if disassembled by a specialized company. Please observe the local regulations regarding the disposal of packaging materials, exhausted batteries and old equipment.

Always bring your product to a professional to remove the built-in battery.



### Note

- The type plate is located on the bottom of the product.

---

## Warranty

- Never attempt to repair the product, this could lead to the risk of injury, damage to the product and will void your warranty.
- Use the product and accessories only as intended by the manufacturer. The caution sign printed on the back of the product indicates risk of electric shock.
- Never remove the cover of the product. Always contact Customer Support for service or repairs.
- Any operation expressly prohibited in this manual, or any adjustments and assembly procedures not recommended or authorized in this manual shall void the warranty.

---

## Copyright



Be responsible  
Respect copyrights

This item incorporates copy protection technology that is protected by U.S. patents and other intellectual property rights of Rovi Corporation. Reverse engineering and disassembly are prohibited.

Recording and playback of material might require consent. See Copyright Act 1956 and The Performer's Protection Acts 1958 to 1972.

---

## Compliance

This apparatus includes this label:



## 2 Your portable DVD player

Congratulations on your purchase, and welcome to Philips! To fully benefit from the support that Philips offers, register your product at [www.philips.com/welcome](http://www.philips.com/welcome).

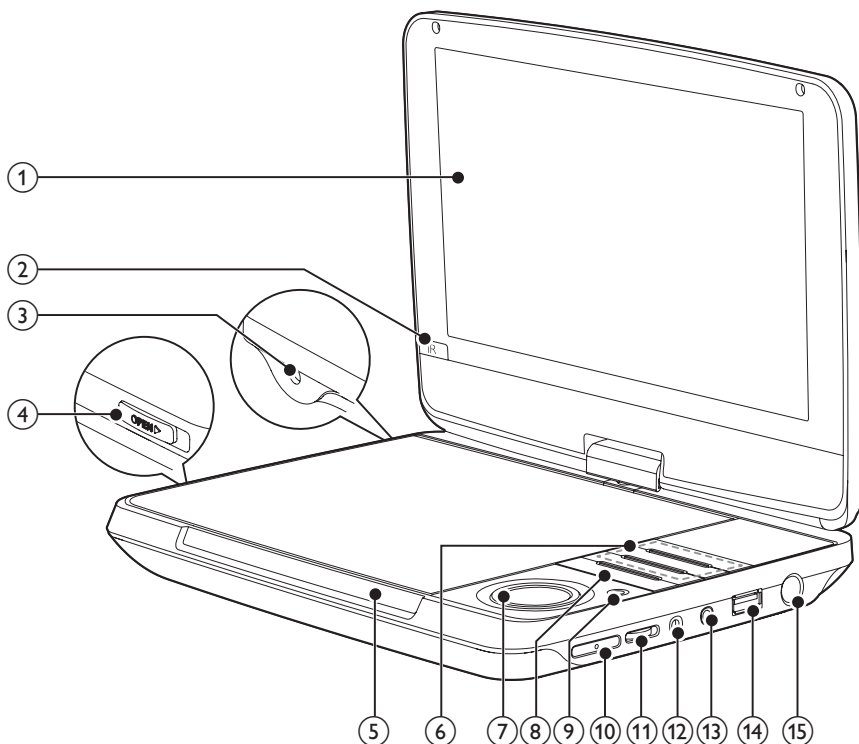
---

### What's in the box

Check and identify the contents of your package:

- Portable DVD player
- Remote control with battery
- AC power adaptor - AY5808/12 (Philips)
- Car adaptor
- 3.5mm RCA adaptor cable
- Antenna
- Mounting bag
- Printing materials

## Overview of the main unit



- ① Display panel
- ② IR
  - Remote control sensor.
- ③ DC IN
  - Power supply socket.
- ④ OPEN ►
  - Open the disc compartment.
- ⑤ CHR / Ⓞ
  - Charging indicator/Power indicator.
- ⑥ SOURCE
  - Switch between DVD, USB and TV.

### SETUP

- Access or exit the setup menu.

### OPTIONS

- Access options relating to the current activity or selection.



- Adjust brightness of the screen backlight.

### DISC MENU

- For DVD, access or exit disc menu.
- For VCD, turn on or off PBC (Playback Control) mode.
- For VCD version 2.0 or SVCD with PBC turned on, return to the menu.
- For data discs, go to the file manager screen.



## STOP

- Stop disc play.
- Press and hold to exit the TV search menu.

## 7 ▲ / ▼ / ◀ / ▶

Navigate menu.

## ▲ (CH+) / ▼ (CH-)

- Switch to the next/previous channel.
- ◀◀ / ▶▶
- Search backward/forward at different speeds.

## ▶ || / OK

- Start, pause or resume disc play.
- Confirm an entry or selection.

## 8 ◀ / ▶

- Skip to the previous/next title, chapter, or track.

## 9 POWER

- Turn on/off DVD player.

## 10 RESET

- When the player hangs up, press it with a ball-point pen or similar tool to reset the player.

## 11 + VOL -

- Increase/decrease volume.

## 12

- Headphone jack.

## 13 AV OUT

- Audio/video output jack.

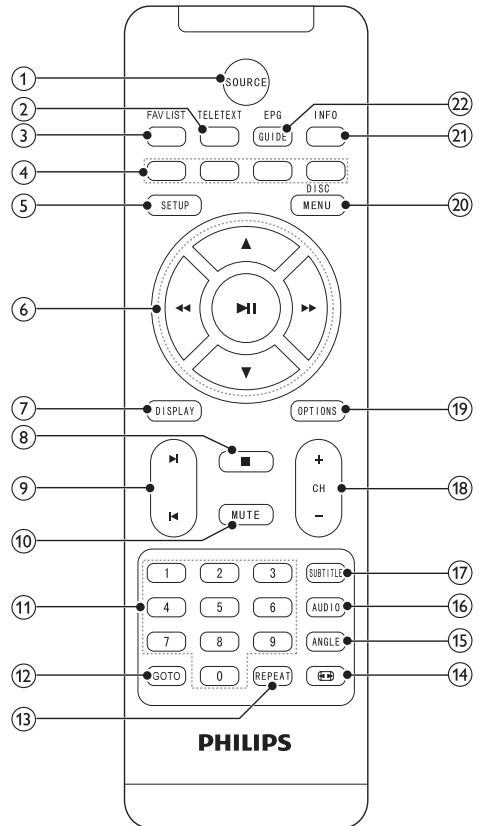
## 14

- Connect USB device.

## 15 ANTENNA

- Antenna jack.

## Overview of the remote control



## 1 SOURCE

- Switch between DVD, USB and TV.

## 2 TELETEXT

- Toggle teletext on or off.

## 3 FAV LIST

- Access or exit the favorite list.

## 4 Color keys

- Select tasks or options.

## 5 SETUP

- Access or exit the setup menu.

## 6 ▲ / ▼ / ◀ / ▶

- Navigate menu.



- Search backward/forward at different speeds.



- Start, pause or resume disc play.

## ⑦ DISPLAY

- Adjust display settings.

## ⑧ ■

- Stop disc play.
- Press and hold to exit the TV search menu.

## ⑨ ◀ / ▶

- Skip to the previous/next title, chapter, or track.

## ⑩ MUTE

- Mute or restore volume.

## ⑪ 0-9

- Input numbers.

## ⑫ GOTO

- Skip to a chapter/track/title or a play time.

## ⑬ REPEAT

- Repeat a chapter/track/title.

## ⑭

- Adjust screen aspect ratio.

## ⑮ ANGLE

- Select a different viewing angle of a DVD.

## ⑯ AUDIO

- For DVD, select an audio language.
- For VCD, select an audio mode.

## ⑰ SUBTITLE

- Select a DVD subtitle language.

## ⑱ CH+/-

- Switch to next/previous channel.

## ⑲ OPTIONS

- Access options relating to the current activity or selection.

## ⑳ DISC MENU

- For DVD, access or exit disc menu.

- For VCD, turn on or off PBC (Playback Control) mode.
- For VCD version 2.0 or SVCD with PBC turned on, return to the menu.
- For a data disc, go to the file manager screen.

## ㉑ INFO

- Display program information, if available.

## ㉒ EPG GUIDE

- Toggle the Electronic Program Guide (EPG) on or off. Enabled on digital channels only.

# 3 Get started

## ! Caution

- Use the controls only as stated in this user manual.
- Always follow the instructions in this chapter in sequence.

If you contact Philips, you will be asked for the model and serial number of your player. The model number and serial number are on the bottom of your player. Write the numbers here:  
Model No. \_\_\_\_\_  
Serial No. \_\_\_\_\_

## Charge power

### Charge through the AC power adaptor

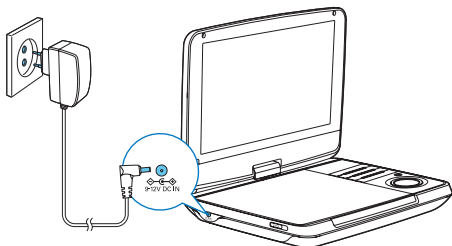
## ! Caution

- Risk of product damage! Ensure that the power supply voltage corresponds to the voltage printed on the bottom of the player.

## ☰ Note

- The type plate is located on the bottom of the player.
- You can only charge the player when it is in power-off mode.

- 1 Press **POWER** to switch off the player.
- 2 Connect the supplied AC adaptor to the player and to the AC outlet.
  - ↳ The charging indicator turns red.
  - ↳ When the battery is fully charged, the charging indicator turns off.

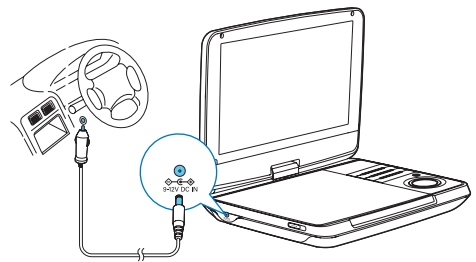


## \* Tip

- To maximize battery life, recharge the battery immediately once the battery is fully discharged. If you do not use the player for a long time, recharge the battery once every two months.
- When the player is not in use, it takes about 8 hours to fully charge it.

### Charge through car adaptor

- 1 Connect the supplied car adaptor to the player and car cigarette lighter.



### Install remote control battery

## ! Caution

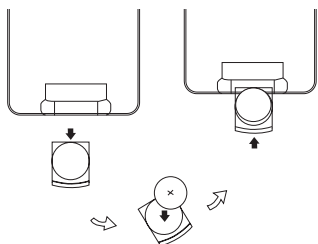
- Risk of explosion! Keep batteries away from heat, sunshine or fire. Never discard batteries in fire.
- Danger of explosion if battery is incorrectly replaced. Replace only with the same or equivalent type.
- Batteries contain chemical substances, they should be disposed of properly.
- Perchlorate Material - special handling may apply. See [www.dtsc.ca.gov/hazardouswaste/perchlorate](http://www.dtsc.ca.gov/hazardouswaste/perchlorate).

#### For first-time use:

- 1 Remove the protective tab to activate the remote control battery.

#### To replace the remote control battery:

- 1 Open the battery compartment.
- 2 Insert 1 CR2025 battery with correct polarity (+/-) as indicated.
- 3 Close the battery compartment.



---

## Switch the player on or off

- 1 To switch on the player, press **POWER**.  
↳ The  $\odot$  indicator turns green.
- 2 To switch off the player, press and hold **POWER** for at least two seconds.

---

## Select the language for onscreen instructions

You can choose a different language for the onscreen display text.

- 1 Press **SETUP**.  
↳ The setup menu appears.
- 2 Select **[General] > [Language]**.
- 3 Press navigation keys to select an option.
- 4 Press **▶||| / OK** to confirm.
- 5 Press **SETUP** to exit.

# 4 Play music or movies

---

## Play from discs

- 1 Press **SOURCE** repeatedly to switch to the disc mode.
- 2 Slide **OPEN ▶** on the main unit to open the disc compartment.
- 3 Insert a disc with the label side facing up.
- 4 Push down to close the disc compartment.  
↳ Play starts automatically.
  - If a menu appears, select an item, then press **▶||| / OK** to start play.
  - To pause, press **▶||| / OK**. Press again to resume play.
  - To stop, press **STOP** or **■** twice.
  - To select the previous/next item, press **◀ / ▶|**.
  - To start search within video/audio, press **◀◀ / ▶▶** once or more.

---

## Play options

---

### Select audio language

You can select an audio language on DVDs or DivX discs.

- 1 Press **OPTIONS**.  
↳ The option menu is displayed.
- 2 Select **[Audio language]** and press navigation keys to select an audio language.
- 3 Press **▶||| / OK** to confirm.

Alternatively,

- During disc play, press **AUDIO** repeatedly on the remote control to select a language.

---

## Select subtitle language

For DVDs that contain two or more subtitle languages.

- 1 Press **OPTIONS**.  
↳ The option menu is displayed.
- 2 Select [**Subtitles**] and press navigation keys to select a subtitle.
- 3 Press **▶|| / OK** to confirm.

Alternatively,

- During disc play, press **SUBTITLE** repeatedly on the remote control to select a language.

---

## Repeat

During play, you can select different repeat options.

- 1 Press **OPTIONS**.  
↳ The option menu is displayed.
- 2 Select [**Repeat**] and press navigation keys to select a repeat option.  
For DVD
  - [**Repeat Chapter**]: repeat the current chapter.
  - [**Repeat Title**]: repeat the current title or track.
  - [**Repeat All**]: repeat all titles on the disc.
  - [**Repeat Off**]: switch off the repeat mode.For VCD/MP3/CD/DivX
  - [**Repeat One**]: repeat the current track.
  - [**Repeat Folder**]: repeat all the tracks in current folder.
  - [**Off**]: switch off the repeat mode.

3 Press **▶|| / OK** to confirm.

4 Press **OPTIONS** to exit.

Alternatively,

- During disc play, press **REPEAT** repeatedly on the remote control to select a repeat option.



Tip

- For VCDs, if PBC is on, you cannot repeat items.

---

## Search by time or title/chapter/track number

- 1 During video/audio play, press **GOTO**.
- 2 Enter the selected time or number.
  - In the title/chapter/track field, enter the title/chapter/track number.
  - In the time field, enter the play position in sequence of hour, minute, and second.
- 3 Press **▶|| / OK**.  
↳ Play starts automatically at the selected point.

To skip to any title/chapter/track directly,

- During play, enter the corresponding number of the title/chapter/track with the numerical keys (0-9).
- Press **▶|| / OK** to confirm if needed.

---

## Select a view angle

To select a view angle for DVD,

- During play, press **ANGLE** repeatedly on the remote control.

---

## Zoom

For DVDs, VCDs and JPEG CDs, you can zoom in and out for video images or pictures.

- 1 Press **OPTIONS**.  
↳ The option menu is displayed.
- 2 Select [**Zoom & Pan**] and press navigation keys to zoom in and out.
- 3 When the video image or picture is enlarged, press navigation keys to pan through it.

---

## Rotate pictures

For JPEG CDs only. While the JPEG is displayed:

- Press ◀◀ to rotate counter-clockwise.
- Press ▶▶ to rotate clockwise.
- Press ▲ to flip up/down.
- Press ▼ to flip left/right.

---

## Adjust brightness of screen backlight

### ☰ Note

- You can adjust brightness of the screen backlight to match lighting conditions.

During play, press **□** repeatedly to select an option.

- **High**
- **Normal**
- **Dim**

### ✱ Tip

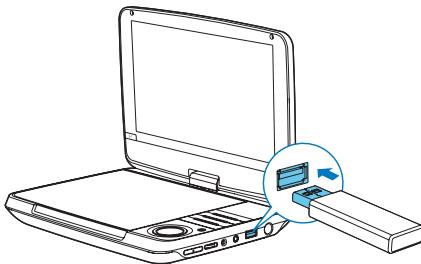
- For the longest playtime, select **Dim**.
- For the best view, select **High**.

---

## Play from USB

You can play DivX, VOB, MP3, or JPEG files that are stored on a USB mass storage device.

- 1 Connect the USB device to the player.
  - ↳ The content menu is displayed.



- 2 Press **SOURCE** repeatedly to switch to USB mode.
- 3 Select a file, then press **▶▶ / OK**.
  - ↳ Play starts.
- 4 To stop play, press **STOP** or **■**.

---

## Connect additional equipment

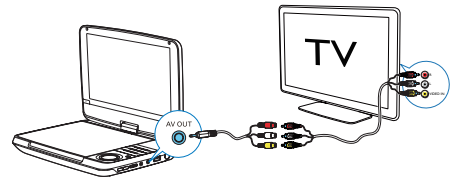
You can connect the player to a TV or an amplifier to enjoy DVDs.

### ! Caution

- Switch off your player before connecting to any additional equipment.

Match the color of the AV cables (the AV cable connected to the TV is not supplied) with the jacks:

- the yellow cable is for the yellow video jack.
- the red/white cable is for the red/white audio jacks.



# 5 Watch TV

## Note

- Before you start, ensure that you have connected the antenna to the player.
- Make sure that you are in an area with sufficient DVB-T signal coverage. You can check the signal coverage with the TV broadcast authority of your country.

- ② Select a country and press navigation keys to select [Auto search].
- ③ Press ►|| / OK to confirm.
  - ↳ The player searches for and stores available TV channels.

3 Press CH+/- to select TV channels.

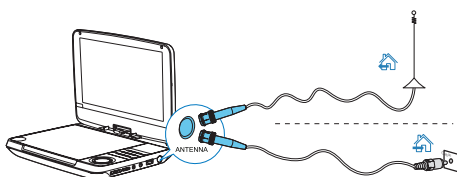
## Tip

- When you move to a new place (such as a new city or country), restart auto search for better reception.

## Connect TV antenna

To watch analog TV programs on the player, connect one of the TV antennas to the player:

- the supplied antenna, or
- your home antenna.



1 Connect the antenna to the ANTENNA jack.

## Tip

- For better reception, connect the player to home antenna.

## Tune in to TV channels

- 1 Press SOURCE repeatedly to select the TV mode.
- 2 The first time you switch to the TV mode, start auto search to search for available TV channels:
  - ① Press SETUP.
    - ↳ A pop-up screen is displayed.

## Manual search

You can search TV channels manually.

- 1 Press SETUP.
- 2 Select [DTTV] > [Manual search].
- 3 Press ▲ / ▼ to select a channel number, or enter the channel number with the numerical keys.
- 4 Press ►|| / OK to confirm.

## Manage channel

Select the channel, and then follow the onscreen instructions.

- To skip the channel, press the green button.
- To lock the channel, press the yellow button.
- To delete the channel, press the blue button. Press ►|| / OK to confirm.
- Press FAV LIST to add the channel to the favorite list. To delete from your favorite list, press FAV LIST again.

---

## View program information (DTV)

To view brief information of the current program, press **INFO**; to view detail information, press **INFO** twice.

- To exit the program information page, press **STOP** or **■**.

---

## Access teletext

If the current channel has teletext, press **TELETEXT** to access.



Tip

- The program may request using color keys to access or control the viewing features. Follow the instructions on the teletext screen.

---

## Use the electronic program guide (DTV)

EPG is an on-screen guide available for digital TV programs. You can navigate, select, and view programs by time or title.

- 1 Select a channel in the digital TV mode.
- 2 Press **EPG GUIDE**.  
↳ The Electronic Program Guide menu is displayed.
- 3 Press **▲ / ▼** to select a program.
- 4 Press **▶||**.  
↳ The brief information of this program is displayed.
- 5 To exit the EPG menu, press **EPG GUIDE**.

# 6 Adjust settings



Note

- If the setup option is grayed out, it means that the setting cannot be changed at the current state.

---

## General settings

To maximize your play experience, press **SETUP** to fine-tune your settings.

- 1 Press **SETUP**.  
↳ The setup menu is displayed.
- 2 Use navigation keys to select an option and press **▶|| / OK** to confirm.

<b>[General]</b>	
<b>[Language]</b>	Select on-screen display language.
<b>[PBC settings]</b>	Set playback control function on/off.
<b>[Power save]</b>	Set power saving mode on/off.
<b>[DivX (VOD)]</b>	Get DivX registration code.
<b>[DivX subtitles]</b>	Select DivX subtitle language.
<b>[Parental(DVD)]</b>	Select parental level.
<b>[Set password]</b>	Change password.
<b>[Factory settings]</b>	Restore factory settings.
<b>[Video]</b>	
<b>[TV display]</b>	Set screen display aspect ratio.
<b>[TV standard]</b>	Set video output format to TV system.
<b>[Audio]</b>	
<b>[Dolby]</b>	Set Dolby output.
<b>[DTTV]</b>	
<b>[Auto search]</b>	Search channels automatically.



[Manual search]	Search channels manually.
[DTTV Parental]	Select parental options.
[Country]	Select specific country.
[Time settings]	Set time.
[Version]	Check the version information.

- 3 Press ◀◀ to go back to the previous menu.
- 4 Press **SETUP** to exit.

---

## Display settings

- 1 Press **DISPLAY**.  
↳ The display menu is displayed.
- 2 Use navigation keys to select an option and press ▶▶ / **OK** to confirm.

[Brightness]	Adjust screen brightness.
[Contrast]	Adjust screen contrast.
[Colour]	Adjust screen colour.
[Turn off Display]	Turn off display.

- 3 Press ◀◀ to go back to the previous menu level.
- 4 Press **DISPLAY** to exit.

# 7 Mount the player on the headrest of your car

- 1 Fit the fixing strap to the mounting bag.
- 2 Adjust the position of the bag, and then fasten the buckles.
- 3 Pull the straps to secure the bag to the headrest.
- 4 Put the player into the bag.

# 8 Specifications

## Note

- Specifications are subject to change without notice

Dimensions (W × H × D)	239 × 39 × 178 mm
Weight	1.02 kg
Power supply	Model: AY5808/12 (Philips) Input: 100-240V~, 50/60Hz Output: 9V =, 1A
Power consumption	9 W
Operating temperature range	0-45°C
Laser wavelength	650 nm
<b>Video output</b>	
Format	PAL & NTSC
Output level	1V <sub>p</sub> - p ± 20%
Load impedance	75 Ω
<b>Audio line out</b>	
Audio out (analog audio)	Output level: 2V ± 10%
Load impedance	10 K Ω
Audio distortion + noise	≤ -80 (1KHz)
Frequency response	20Hz-20KHz ± 3dB
Signal/noise ratio	≥ 75 dB
Channel separation	≥ 75 dB
Dynamic range	≥ 75 dB
<b>Playable media</b>	
Disc	DVD, DVD-Video, VCD/SVCD, Audio CD DVD+R/RW, DVD-R/-RW, DVD+R/-R DL (Dual Layer) CD-R/CD-RW, MP3 media, JPEG files

<b>File format</b>	
Video	.avi, .divx, .mp4, xvid
Audio	.mp3
Picture	.jpg, .jpeg

<b>TV system</b>	
Digital video broad- casting	Terrestrial

<b>USB</b>	
Compatibility	Hi-Speed USB (2.0)
Class support	USB Mass Storage Class (UMS)
File system	FAT16, FAT32
Maximum number of albums/folders	131
Maximum number of tracks/titles	648
Support USB HDD (Hard Disc Drive)	an external power source may be needed

# 9 Troubleshooting



## Warning

- Never remove the casing of this apparatus.

To keep the warranty valid, never try to repair the system yourself.

If you encounter problems when using this apparatus, check the following points before requesting service. If the problem remains unsolved, go to the Philips web site ([www.philips.com/support](http://www.philips.com/support)). When you contact Philips, ensure that the apparatus is nearby and the model number and serial number are available.

### No power

- Ensure that both plugs of the mains cord are properly connected.
- Ensure that there is power at the AC outlet.
- Check if the built-in battery is drained.

### No sound

- Ensure that the AV cable is connected correctly.

### No response to the remote control

- Ensure that the path between the remote control and the player is clear from obstacles.
- From a close distance, point the remote control directly at the player.
- Replace the remote control batteries.
- The function does not work for this disc. Refer to the disc instructions.

### Distorted picture

- Clean the disc. With a clean, soft, lint-free cloth, wipe the disc outwards from the center.
- Make sure that the video output format of the disc is compatible with the TV.
- Change the video output format to match your TV or program.

- The LCD is manufactured using high precision technology. You may, however, see tiny black points and/or bright points (red, blue, green) that continuously appear on the LCD. This is a normal result of the manufacturing process and does not indicate a malfunction.

### Cannot play disc

- Ensure the disc label is upwards.
- Clean the disc. With a clean, soft, lint-free cloth, wipe the disc outwards from the center.
- Check if the disc is defective by trying another disc.

### No response to operating commands

- The operation is not permitted by the disc.

### The player feels warm

- When the player is in use for a long period of time, its surface will be heated. This is normal.

### No/weak signal displayed on the screen

- TV signal is too weak or out of TV signal covering area.
- Make sure you are in an area with sufficient coverage.
- Connect to your home TV antenna socket.
- Receiving TV in a driving car may cause signal problems.

### TV reception with Black and White picture or no sound

- Ensure that you set the TV type and TV system correctly according to local TV broadcast specifications. If you do not know the information, contact local TV broadcast authorities for help.



Manufactured under license from Dolby Laboratories. Dolby and the double-D symbol are trademarks of Dolby Laboratories.

## **DivX.**

This DivX Certified® device has passed rigorous testing to ensure it plays DivX® video. To play purchased DivX movies, first register your device at [vod.divx.com](http://vod.divx.com). Find your registration code in the DivX VOD section of your device setup menu.

DivX Certified® to play DivX® video, including premium content.

DivX®, DivX Certified® and associated logos are trademarks of DivX, LLC and are used under license.

Covered by one or more of the following U.S. patents: 7,295,673; 7,460,668; 7,515,710; 7,519,274.

DivX Certified® devices have been tested for high-quality DivX® (.divx, .avi) video playback. When you see the DivX logo, you know you have the freedom to play your favorite DivX movies.





Specifications are subject to change without notice  
© 2014 Koninklijke Philips N.V. All rights reserved.  
Trademarks are the property of Koninklijke Philips N.V. or their respective owners.

