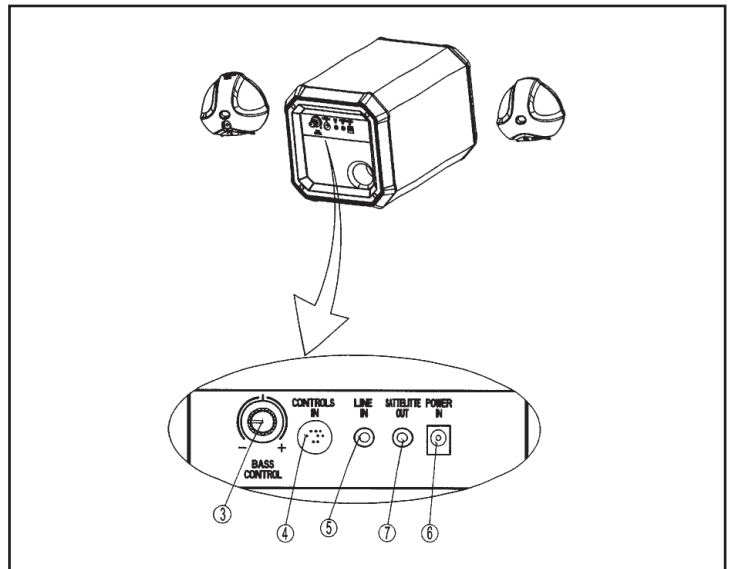
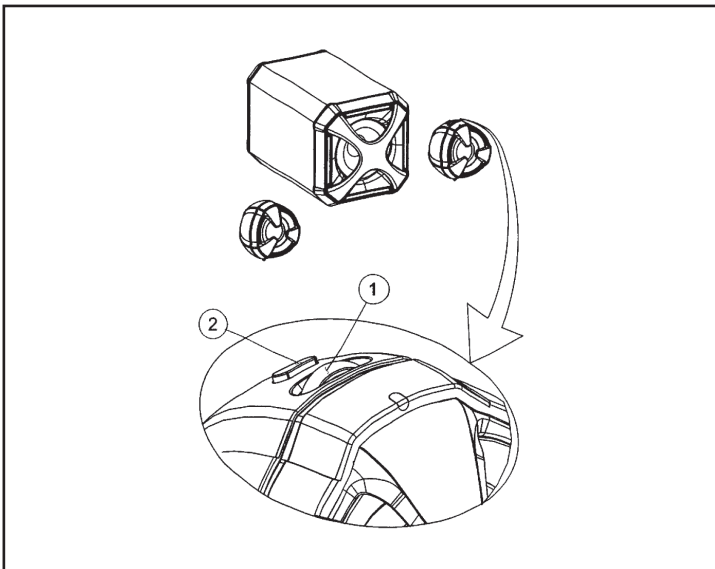


MMS 430  
Multimedia Speaker System

The socket-outlet shall be installed near the equipment and shall be easily accessible.

- This product was designed and manufactured to meet strict quality and safety standards. There are, however, some installation and operation precautions which you should be particularly aware of.
- 1. Read these instructions** - All the safety and operating instructions should be read before the appliance is operated.
  - 2. Keep these instructions** - The safety and operating instructions should be retained for future reference.
  - 3. Heed all warnings** - All warnings on the appliance and in the operating instructions should be adhered to.
  - 4. Follow all instructions** - All operating and use instructions should be followed.
  - 5. Do not use this apparatus near water** - for example, near a bathtub, washbowl, kitchen sink, laundry tub, in a wet basement or near a swimming pool, etc.
  - 6. Clean only with a damp cloth.** The appliance should be cleaned only as recommended by the manufacturer.
  - 7. Install in accordance with the manufacturers instructions.** Do not block any of the ventilation openings. For example, the appliance should not be situated on a bed, sofa, rug, or similar surface or placed in a built-in installation, such as a bookcase or cabinet that may impede the flow of air through the ventilation openings.
  - 8. Do not install near any heat sources** such as radiators, heat registers, stoves, or other apparatus (including amplifiers) that produce heat. Do not expose this appliance to rain or moisture.
  - 15. Warning!** To reduce the risk of fire or electric shock, the apparatus has been exposed to rain or moisture, does not operate normally, or has been dropped. Do not attempt to repair the apparatus. Service is required when the apparatus has been damaged in any way, such as power-supply cord or plug is damaged, liquid has been spilled on or into the apparatus, the apparatus is wet, or the apparatus has been exposed to lightning storms or combination to avoid injury from tip-over. Use caution when moving the cart/appliance with the apparatus. When a cart is used, use only the cart specified by the manufacturer, or table specified by the manufacturer, or bracket, or table specified by the manufacturer.
  - 12. Use only with a cart, stand, tripod, bracket, or table specified by the manufacturer.**
  - 11. Only use attachments/accessories** specified by the manufacturer.
  - 10. Protect the power cord** from being walked on or pinched particularly at plugs, convenience receptacles, and the point where they exit from the apparatus.
  - 9. Do not defeat the safety purpose of the polarized or grounding-type plug.** A polarized plug has two blades with one wider than the other. Match wide blade of plug to wide slot, fully insert. A grounding-type plug has two blades and a third grounding prong. The wide blade or the third prong are provided for your safety. When the provided plug does not fit into your outlet, consult an electrician for replacement of the obsolete outlet.
- EL 4562-E004: 99/3

**IMPORTANT SAFETY INSTRUCTIONS** - Read before operating equipment  
For US/Canada only



~ EXPLANATION ~

- |   |  |   |
|---|--|---|
| <p>① <b>ROTARY VOLUME CONTROL</b><br/>TO ADJUST THE VOLUME HIGHER OR LOWER</p> <p>② <b>POWER ON/OFF</b><br/>TO SWITCH ON OR OFF POWER (BLUE LED INDICATES THAT THE POWER IS ON)</p> <p>③ <b>BASS CONTROL</b><br/>TO ADJUST BASS LEVEL TO DESIRED VOLUME</p> | <p>④ <b>CONTROL IN</b><br/>PLUG IN THE MINI DIN CONNECTOR</p> <p>⑤ <b>LINE IN</b><br/>TO CONNECT THE LINE IN CABLE FROM THE SOUND CARD/ SOUND SOURCE</p> <p>⑥ <b>POWER IN</b><br/>TO CONNECT THE ADAPTER</p> | <p>⑦ <b>SATELLITE OUT</b><br/>TO CONNECT THE SATELLITE SPEAKERS</p> |
|---|--|---|

