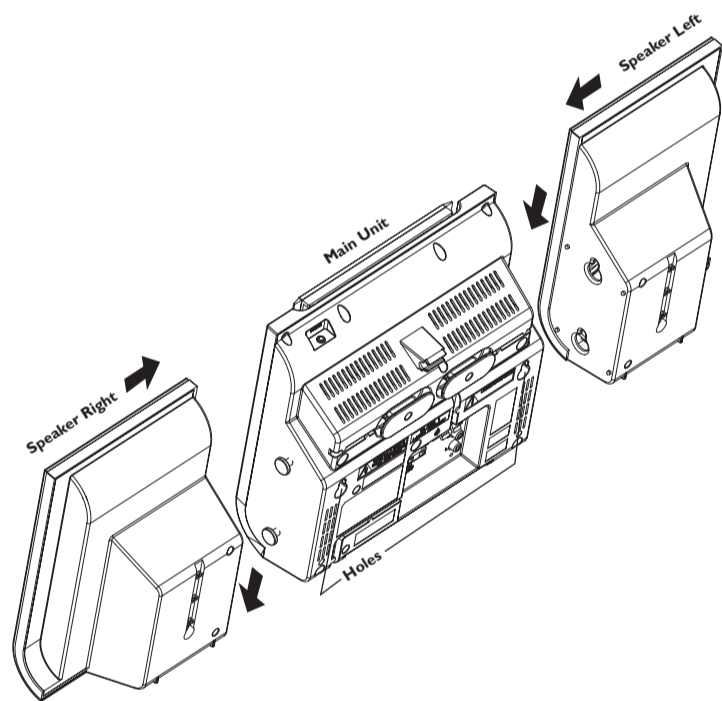
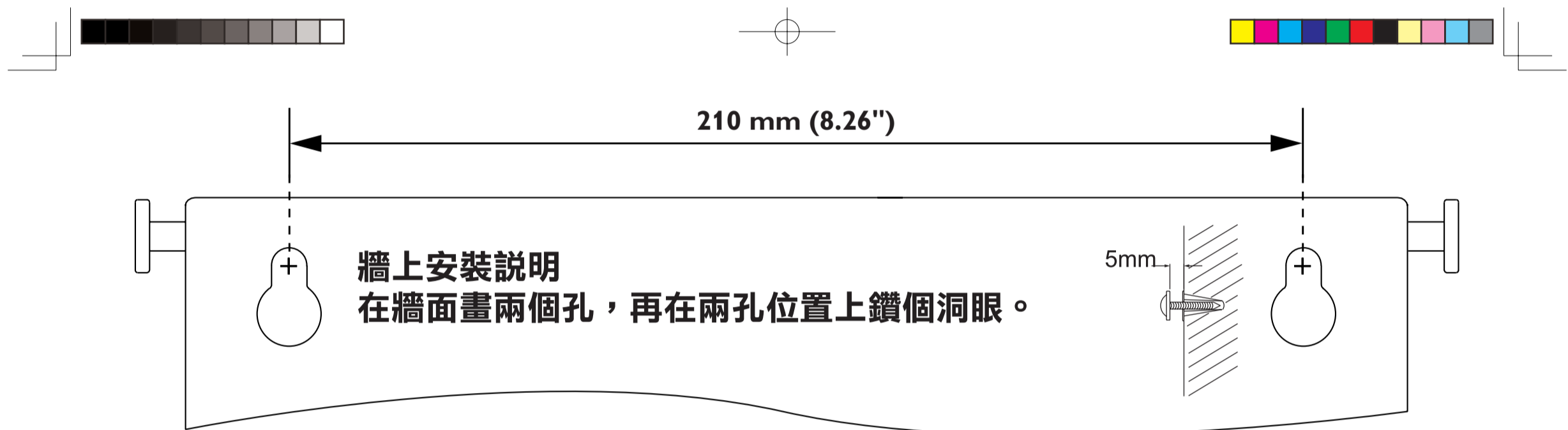


Use screws to mount the main unit on the wall

- Use this sheet as a template. Mark the position where you want to hang the unit on the wall (as shown) and then drill two 6mm diameter holes.
- Secure the 2 supplied dowels and screws in the holes respectively, leaving the screws 5mm proud of the wall.
- Hang the unit on the fastening screws.



用螺絲釘將本機安裝到牆上

- 按上圖所示，在牆面選定合適的地方，以本張安裝說明紙所示的兩孔上（兩孔距離為 210mm）鑽兩個直徑為 6mm 的孔，此兩個孔就是本機要掛到牆上的地方。
- 將隨機附送的兩個螺絲釘套鑽入牆內，再將附送的兩個螺絲釘鑽入釘套內，螺絲釘離牆面要有 5mm 的距離。
- 將本機掛到螺絲釘上面去。