

Quick start guide

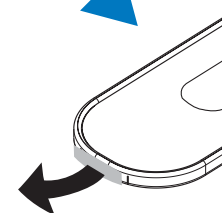
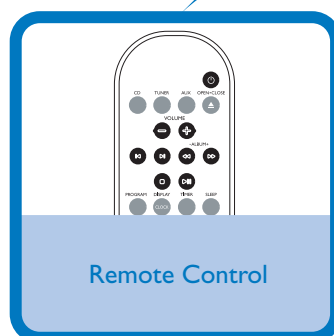
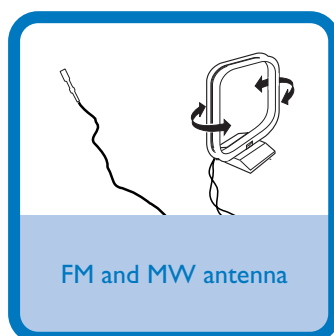
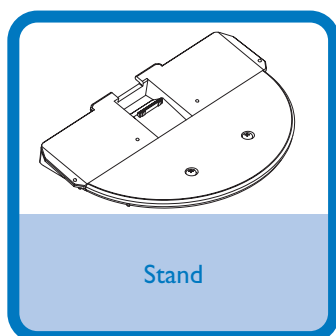


Step A **Connect**

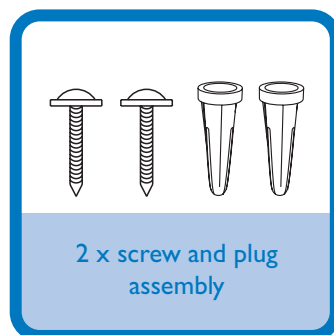
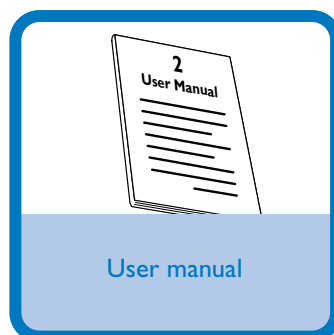
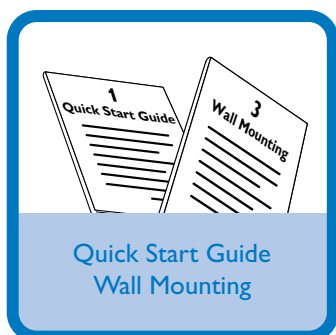
Step B **Enjoy**

What's in the Box?

You should find these items upon opening the box.

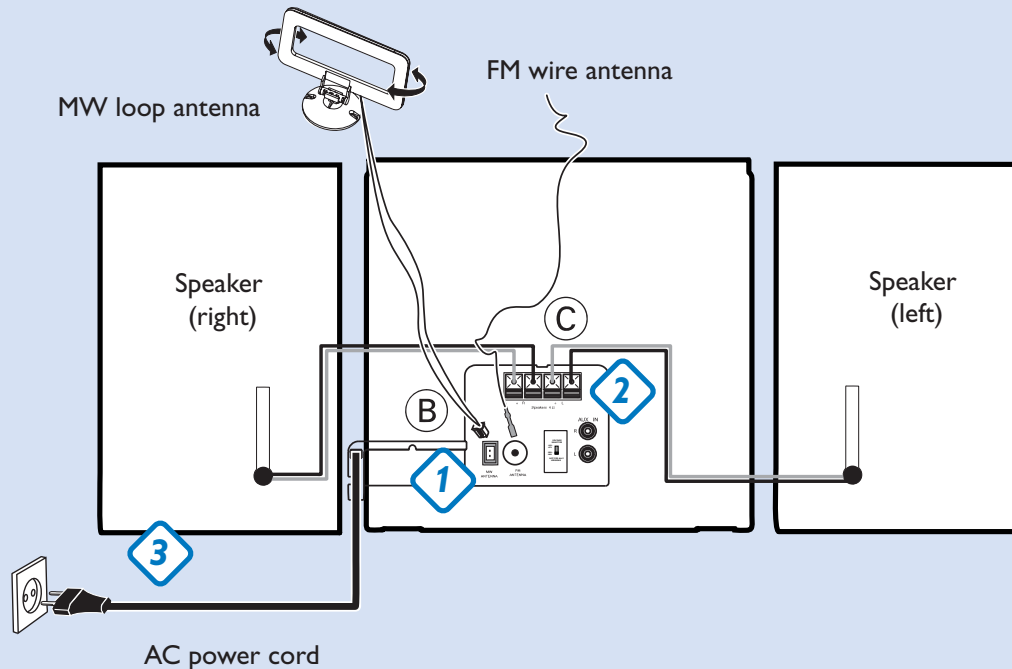


Pull out the plastic protective sheet.



Step A *Connect*

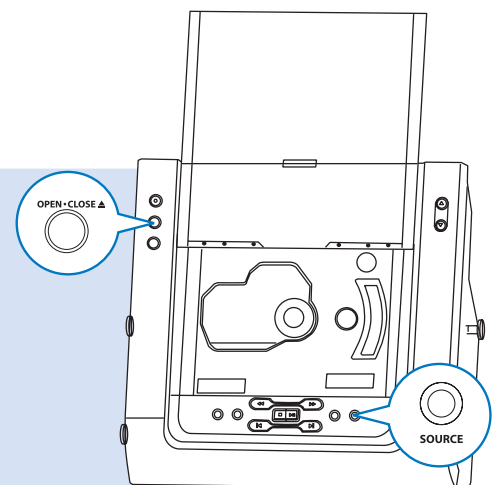
- 1 For radio reception, connect the supplied **MW loop antenna** and **FM antenna** to the respective terminals.
- 2 Connect the speaker wires to the **SPEAKERS** terminals, right speaker to "**RIGHT**" and left speaker to "**LEFT**", colored (marked) wire to "**+**" and black (unmarked) wire to "**-**".
- 3 After ensuring all the above connections have been made, connect the AC power cord to the wall outlet.



Step B *Enjoy*

Loading a CD

- 1 Press **SOURCE** on the front panel of the system to select CD or press CD on the remote.
- 2 Press **OPEN•CLOSE ▲** to open the CD compartment.
- 3 Insert a CD with the printed side facing up. Press **OPEN•CLOSE ▲** again to close the compartment.



Tip

See the User Manual for playback of MP3-CDs.

Playback

- 1 After the system successfully reads the inserted CD, press **PRESET ◀ / ▶** once or repeatedly until the desired track number appears in the display.
- 2 Press **▶ ||** to start playback.
- 3 Press **■** to stop playback.

