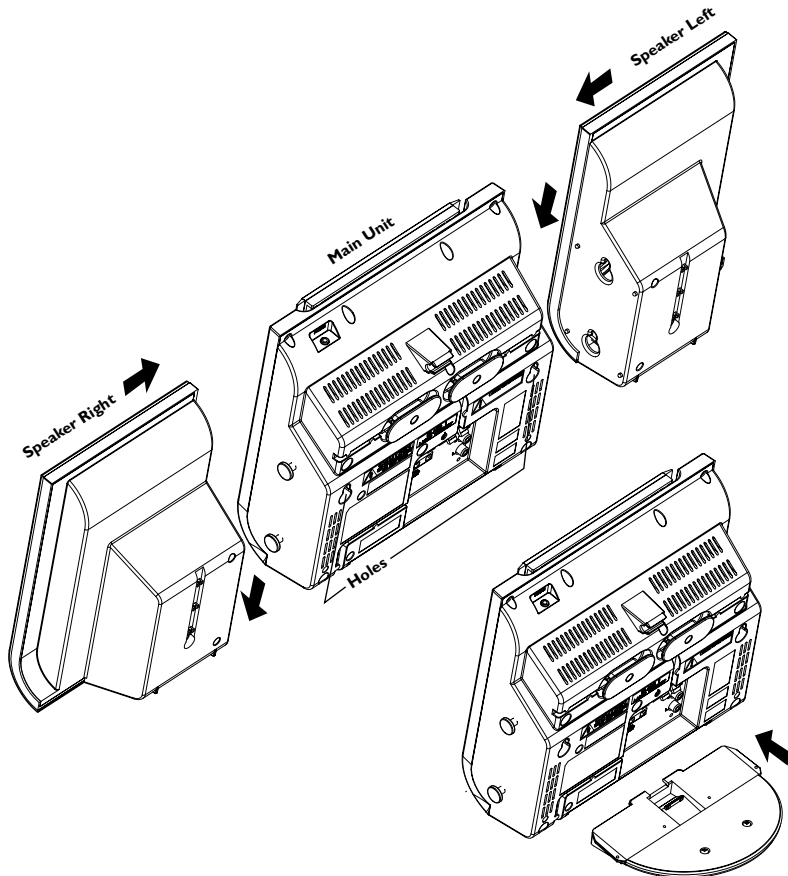
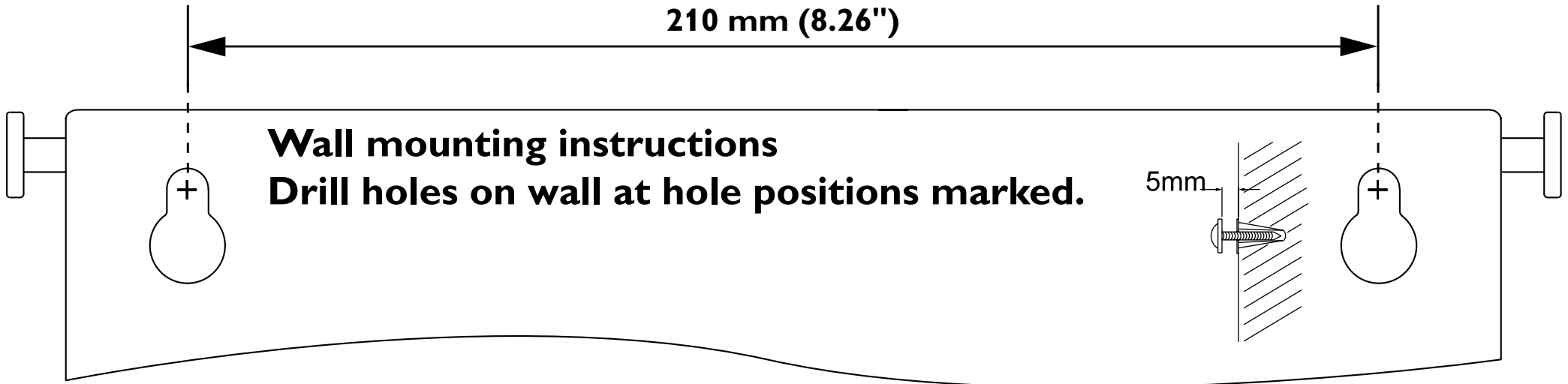


210 mm (8.26")

## Wall mounting instructions

Drill holes on wall at hole positions marked.

5mm



### Use screws to mount the main unit on the wall.

- Use this sheet as a template. Mark the position where you want to hang the unit on the wall (as shown) and then drill two 6mm diameter holes.
- Secure the dowels and screws in the holes respectively, Leaving the screws 5mm proud of the wall.
- Hang the unit on the fastening screws.

### Use the stand to place the main unit on a flat surface.

- Before operating the unit, please make sure you install the unit and stand correctly.
- Side the stand into the slot as shown.