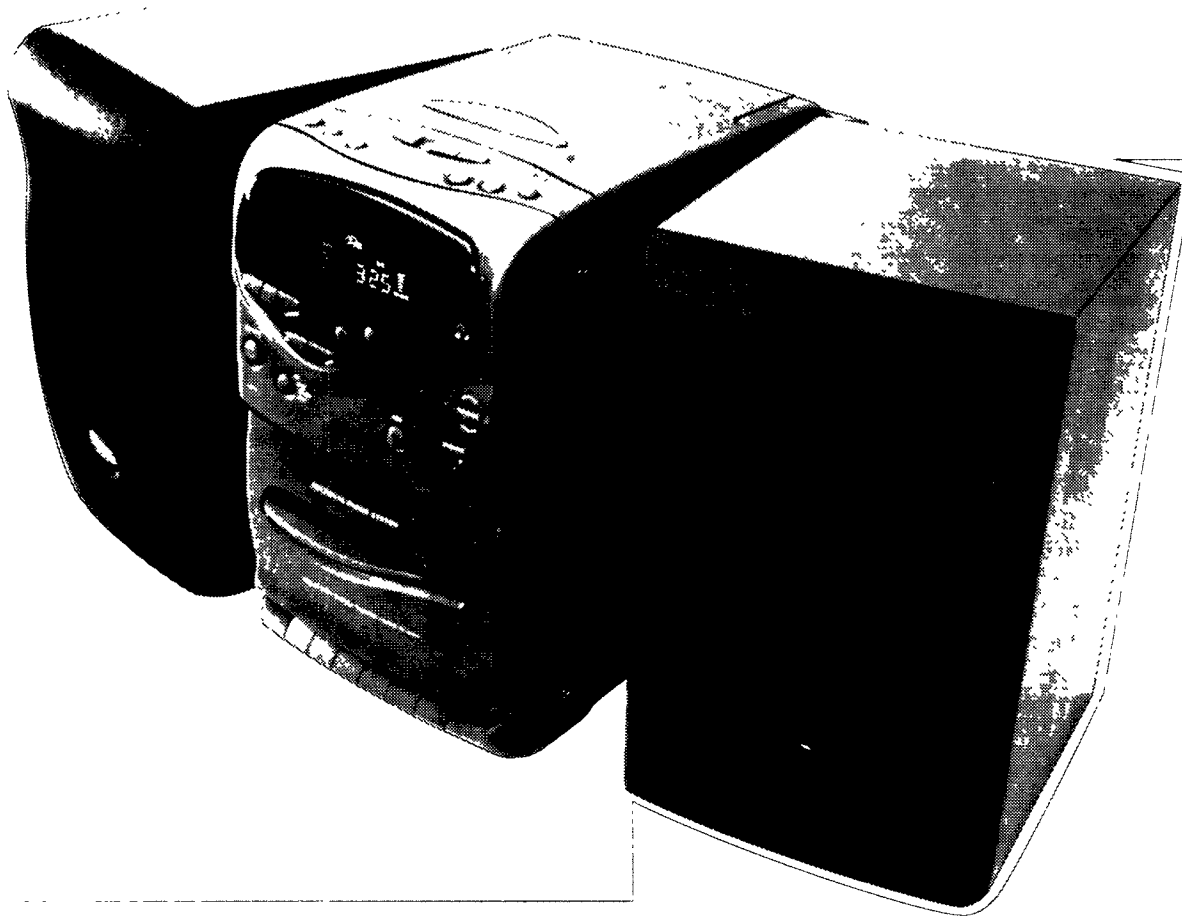


PHILIPS

MC130 Micro System



Instructions for use
Mode d'emploi
Instrucciones de manejo
使用説明書



PHILIPS

GUARANTEE AND SERVICE FOR NEW ZEALAND

Thank-you for purchasing this quality Philips product. The document you are now reading is your guarantee card.

Guarantee

Philips New Zealand Ltd guarantees this product against defective components and faulty workmanship for a period of 12 months. Any defect in materials or workmanship occurring within 12 months from the date of purchase subject to the following conditions will be rectified free of charge by the retailer from whom this product was purchased.

Conditions.

1. The product must have been purchased in New Zealand, and this guarantee card completed at time of purchase (this is your proof of the date of purchase).
2. The guarantee applies only to faults caused by defective components, or faulty workmanship on the part of the manufacturer.
3. The guarantee does not cover failures caused by misuse, neglect, normal wear and tear, accidental breakage, use on the incorrect voltage, use contrary to operating instructions, or unauthorised modification to the product or repair by an unauthorised technician.
4. Reasonable evidence (in the form of a sales docket or completed guarantee card) must be supplied to indicate that the product was purchased no more than 12 months prior to the date of your claim.
5. In the event of a failure, Philips shall be under no liability for any injury, or any loss or damage caused to property or products other than the product under guarantee.

This guarantee does not prejudice your rights under common law and statute, and is in addition to the normal responsibilities of the retailer and Philips.

How to claim.

Should your Philips product fail within the guarantee period, please return it to the retailer from whom it was purchased. In most cases the retailer will be able to satisfactorily repair or replace the product.

However, should the retailer not be able to conclude the matter satisfactorily, or if you have other difficulties claiming under this guarantee, please contact

**The Guarantee Controller,
Philips New Zealand Ltd.**

✉ **P.O. Box 41.021**

Auckland

☎ **(09) 84 94 160**

fax ☎ **(09) 84 97 858**

GUARANTEE AND SERVICE VALID FOR AUSTRALIA

The benefits given to the purchaser by this warranty are in addition to all other rights and remedies, which, under the Trade Practices Act or other Commonwealth or State law, the purchaser or owner has in respect of the product.

The Philips product carries the following warranties:

C-series HiFi-systems: 12 months. Compact Disc Players: 12 months. Home Audio Systems: 6 months. Clock radios, portable radios, cassette recorders, cassette players and radio recorders: 90 days.

Any defect in materials or workmanship occurring within the specified period from the date of delivery, will be rectified free of charge by the retailer from whom this product was purchased.

Note: Please retain your purchase docket to assist prompt service.

Conditions of this warranty

1. All claims for warranty service must be made to the retailer from whom this product was purchased. All transport charges incurred in connection with warranty service or replacement will be paid by the purchaser.
2. These warranties do not cover batteries and extend only to defects in materials or workmanship occurring under normal use of the product where operated in accordance with our instructions.

**Philips Consumer Products Division,
Technology Park
Figtree Drive, Australia Centre
Homebush 2140,
New South Wales**

Index

English	Controls 6-7	Compact Disc 11-12	Specifications 14	English
General Information 4	Operating the System 8	Clock Setting 13	Troubleshooting 15	
Safety Information 4	Tuner 9	Timer Setting 13		
Preparations 4-5	Cassette Deck 10-11	Maintenance 14		
Français	Opérations Préalables 16-17	Platine Cassette 22-23	Réglage de la minuterie 25	Français
Généralités 16	Commandes 18-19	Lecteur de Disques Compacts 23-24	Entretien 26	
Informations Relatives à la Sécurité 16	Utilisation de l'appareil 20	Réglage de l'horloge 25	Caractéristiques Techniques ... 26	
	Syntoniseur 21		Remèdes en cas de panne 27	
Español	Controles 30-31	Reproductor de CD 35-36	Especificaciones 38	Español
Información General 28	Funcionamiento del sistema 32	Ajuste del reloj 37	Solución de problemas 39	
Información de Seguridad 28	Sintonizador 33	Ajuste del temporizador 37		
Preparación 28-29	Reproductor de casete 34-35	Mantenimiento 38		
中文	控制鍵 42-43	CD片 47-48	技術數據 50	中文
一般事項 40	系統操作 44	時鐘的設定 49	故障檢修指南 51	
安全事項 40	調諧器 45	定時器的設定 49		
準備事項 40-41	卡帶座 46-47	保養 50		

GARANTIA PARA MEXICO

NOM

Mexico

NOM

Este aparato está fabricado con materiales de alta calidad y ha sido cuidadosamente verificado. Philips, por lo tanto, da a usted una garantía de 12 meses a partir de su fecha de compra.

La garantía ampara la reposición de las piezas defectuosas debidas a fallas en su montaje o en los materiales, incluyendo la mano de obra necesaria para su reemplazo en nuestras Sucursales o talleres autorizados.

En caso de fallas en su aparato le rogamos se sirva poner en contacto con su distribuidor.

Esta garantía no cubrirá las averías que resulten como consecuencia de una instalación incorrecta del aparato, manifiesto maltrato o uso inadecuado del mismo.

Philips se obliga a reparar y devolver a usted su aparato en un plazo no mayor de 30 días hábiles contados a partir de la fecha de haber ingresado su aparato a uno de nuestros talleres.

Para que esta garantía sea válida, es necesario que el certificado que figura en la parte posterior de este instructivo haya sido debidamente llenado en el momento de la compra del aparato.

En caso de extravío del certificado con la presentación de la factura o remisión de su aparato podrá hacer efectiva la garantía correspondiente.

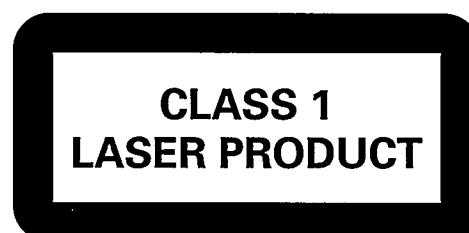
Si usted tiene alguna duda o pregunta que no le pueda solucionar su distribuidor, por favor ponerse en contacto con

Oficinas Centrales de Servicio,
Av. Coyoacán No. 1051,
Col. del Valle,
03100 MÉXICO, D.F.
☎ 5-75-20-22 o 5-75-01-00

Es necesario que lea cuidadosamente su instructivo de manejo.



NOM



General Information

- This product complies with the radio interference requirements of the European Community.
 - The typeplate is located on the rear of the set.
 - Recording is permissible insofar as copyright or other rights of third parties are not infringed.
- 1 All unnecessary packaging material has been omitted. We have done our utmost to make the packaging easy separable into three mono-materials:
 - cardboard (box)
 - expandible polystyrene (buffer)
 - polyethylene (bags, protective foam sheet)
 Please observe the local regulations regarding the disposal of these packaging materials.
 - 2 Your set consists of materials which can be recycled and reused if disassembled by a specialized company. Please inquire about local regulations on how to hand in your old set for recycling.
 - 3 Do not dispose of exhausted batteries with your household waste. Please inquire about how to dispose of batteries according to local regulations.
 - 4 Note: Switching off the standby mode overnight (remove the AC power cord from the wall socket) will save energy.

Safety Information

- Before operating the system, check that the operating voltage indicated on the typeplate (or the voltage indication beside the voltage selector) of your system is identical with the voltage of your local power supply. If not, please consult your dealer (or switch the voltage selector to the correct setting). The type plate is located at the rear of your system.
- When the system is switched on, do not move it around.
- Place the system on a solid base (e.g. a cabinet).
- Place the system in a location with adequate ventilation to prevent internal heat build-up in your system.
- Do not expose the system to excessive moisture, rain, sand or to other sources of heat.
- Under no circumstances should you repair the unit yourself as this will invalidate the warranty!
- If the system is brought directly from a cold to a warm location, or is placed in a very damp room, moisture may condense on the lens of the CD unit inside the system. Should this occur, the CD player will not operate normally. Leave the power on for about one hour with no disc in the unit until normal playback is possible.
- Electrostatic discharge may cause unexpected symptoms. See whether these symptoms disappear if you take the AC power cord out of the wall socket and plug it in again after a short period.
- **To disconnect the system from the power supply completely, withdraw the AC power cord from the wall socket.**

Speakers

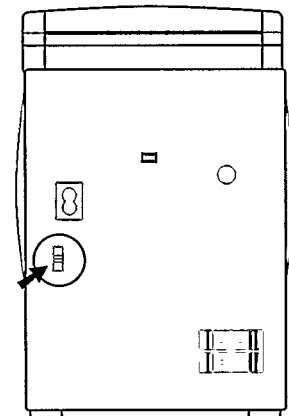


Accessories (Supplied)

- Remote control transmitter
- Batteries for remote control transmitter
- AM loop antenna
- FM antenna wire
- AC mains cable

Adjusting the Operating Voltage

Before connecting the AC power cord to a wall outlet, make sure that the voltage selector at the rear of the system is set to the local power line voltage. If not, reset the selector before connecting to the wall outlet.

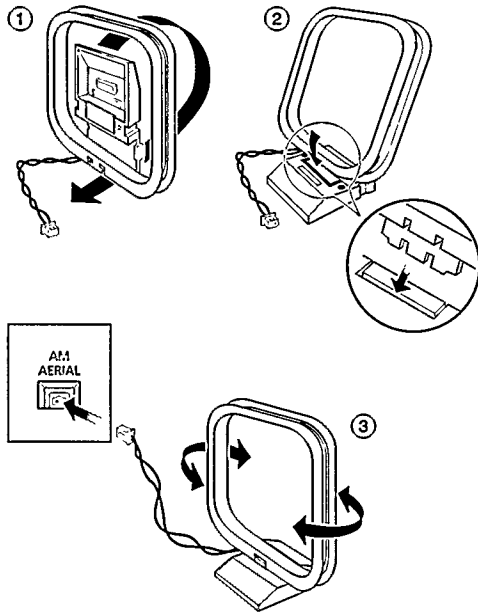


Inserting the batteries into the Remote Control

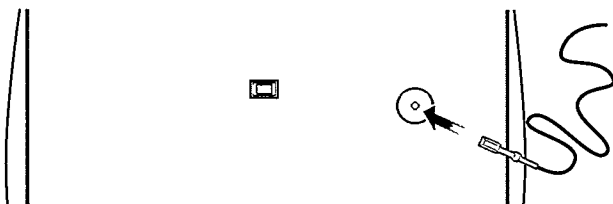
- Insert the batteries type R6, UM-3 or AA into the remote control transmitter as shown in the battery compartment.
- To avoid damage from possible battery leakage, remove the batteries if exhausted or unused for extended period. For replacement use only batteries of the type R6, UM-3 or AA.

AM Antenna Connection

Connect the supplied loop antenna to the AM AERIAL terminal. Adjust the position of the AM loop antenna for optimum reception.



FM Wire Antenna Connection

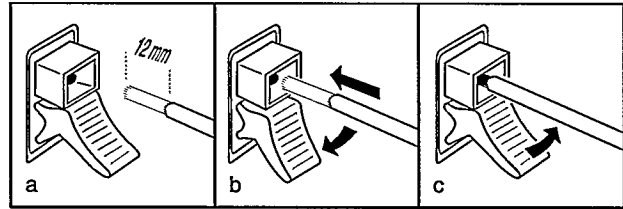


Connect the supplied FM wire antenna to the FM 75Ω terminal. Adjust the position of the FM antenna for optimum reception.

Outdoor Antenna

For better FM stereo reception connect an outdoor FM antenna to the FM AERIAL 75Ω terminal, using a 75Ω coaxial cable.

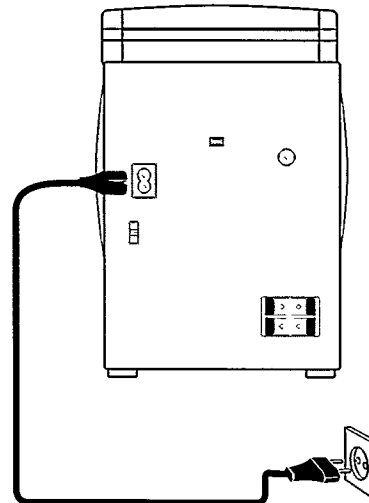
Speakers Connections



- Connect the right speaker to terminal **R**, with the red wire to **+** and the black wire to **-**.
- Connect the left speaker to terminal **L**, with the red wire to **+** and the black wire to **-**.
- Clip the blank portion of the wire as shown above.

Mains Connection

After all other connections have been made, connect the mains socket to the set and the mains plug to the wall socket.



Controls

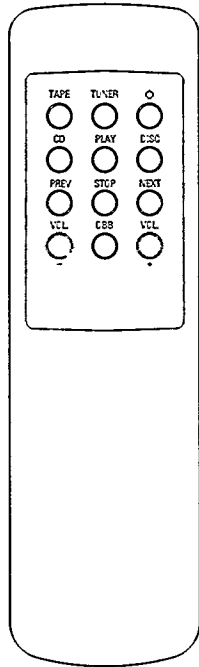
English

Remote Control Functions

- First select the source you wish to control by pressing one of the source select keys on the remote control (e.g. CD or TUNER).
- Then select the desired function (PLAY, NEXT, etc.).

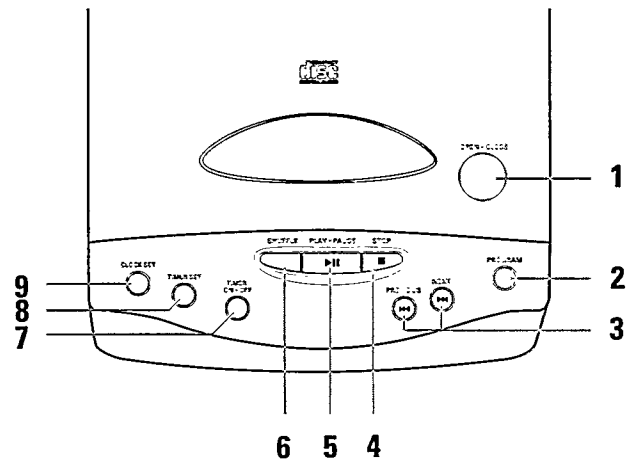
Note :

Whenever a remote control button is pressed, the source icon on the set display will flicker. This indicates the remote control signal is received by the set.



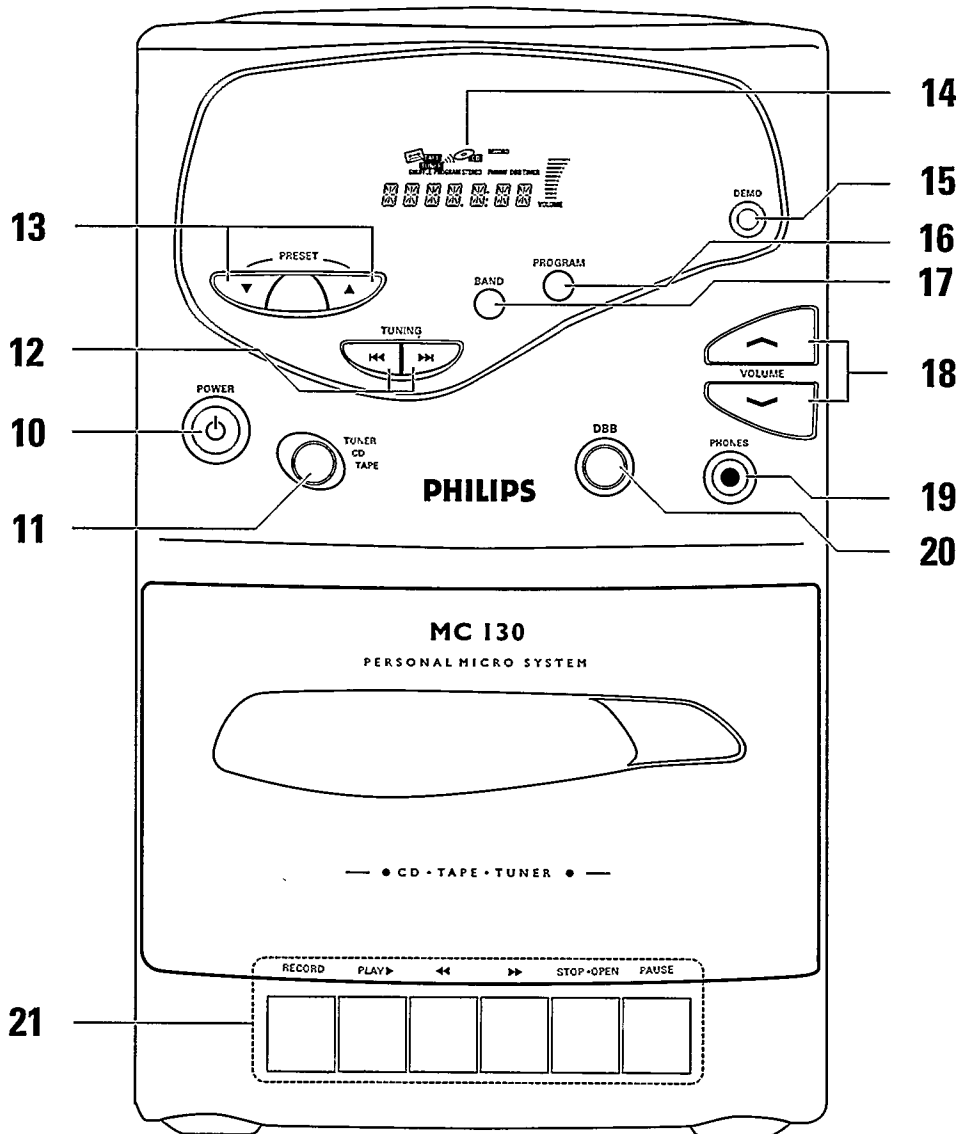
- ⏻ to switch the unit to standby mode.
- TUNER** to select TUNER mode.
- TAPE** to select TAPE mode.
- CD** to select CD mode.
- PLAY** to start play in CD mode.
- DISC** not functional for this model.
- PREV/ NEXT**
for TUNER to select a lower/higher tuner preset station.
for CD to select previous/next CD track.
- STOP** to stop play in CD mode.
- VOLUME +/-** to adjust the volume.
- DBB** to enhance the base response.

Top View



- 1 OPEN•CLOSE**
- to open or close the CD cover.
- 2 PROGRAM**
- to program CD tracks
- 3 ◀◀ PREVIOUS / NEXT ▶▶**
- to skip to the beginning of the current or previous/next track or to search backwards/forwards.
- 4 STOP ■**
- to stop CD play or to clear a program.
- 5 PLAY•PAUSE ▶||**
- to start or interrupt CD play.
- 6 SHUFFLE**
- to play all the tracks in the disc in random order.
- 7 TIMER ON•OFF**
- to switch on or off the timer.
- 8 TIMER SET**
- to set the timer.
- 9 CLOCK SET**
- to set the clock.

Front View



10 POWER

- to switch the set on or to standby mode.

11 SOURCE

to select the following :

TUNER : to switch to Tuner mode.

CD : to switch to CD mode.

TAPE : to switch to Tape mode.

12 TUNING ◀◀ or ▶▶

- to tune to radio stations
- ◀◀ : lower frequencies.
- ▶▶ : higher frequencies.

Also use for clock and timer setting.

13 PRESET ▲ or ▼

- to select a radio station in memory. Also use for clock and timer setting.

14 DISPLAY

- to display the current setting of the set.

15 DEMO

- to display the various features offered by the system.

16 PROGRAM

- to program preset stations automatically or manually.

17 BAND

- to select the waveband : FM or MW.

18 VOLUME

- to adjust the volume level.

19 PHONES

- to connect the headphones (ø 3.5mm).

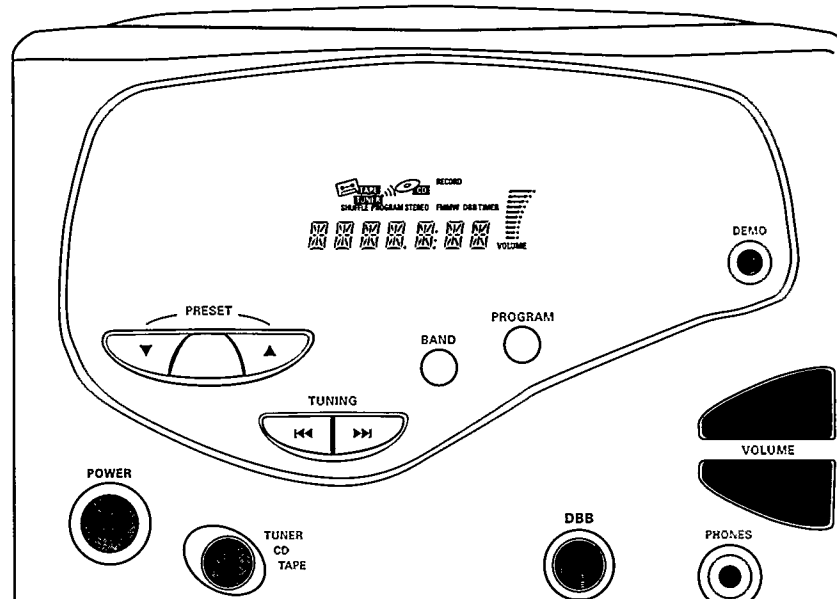
20 DYNAMIC BASS BOOST (DBB)

- to switch on bass boost to enhance bass response or switch off.

21 CASSETTE OPERATION

- **RECORD** : to start recording.
- **PLAY ▶** : to start playback.
- **◀◀** : to rewind the cassette.
- **▶▶** : to fast forward the cassette.
- **STOP•OPEN** : to stop playback or to open the cassette compartment.
- **PAUSE** : to interrupt playback or recording.

Operating the System



Important :

To begin operating the system, ensure that you have completed the preparation procedures. The set is in the standby mode when the mains plug is connected to the wall socket and "0:00" flashes on the display.

Switching the system ON

- Press **POWER** or **SOURCE** selection (or **CD**, **TUNER** or **TAPE** on the remote control).

Switching the system to standby mode

- Press **POWER** again (or \odot on the remote control).

Selecting the Sound Sources

- Press **SOURCE** to select either TUNER, CD or TAPE (or **CD**, **TUNER** or **TAPE** on the remote control).
→ The display indicates the selected sound source.

You can also select the sound source directly by selecting the respective PLAY button for CD mode or PRESET ; or TUNING or BAND button for TUNER mode.

Volume Adjustment

Adjust **VOLUME** \wedge or \vee (or press **+** or **-** on the remote control) to increase or decrease the sound level.

For Personal Listening

- Connect the headphones to the **PHONES** socket.
→ The speakers will be muted.

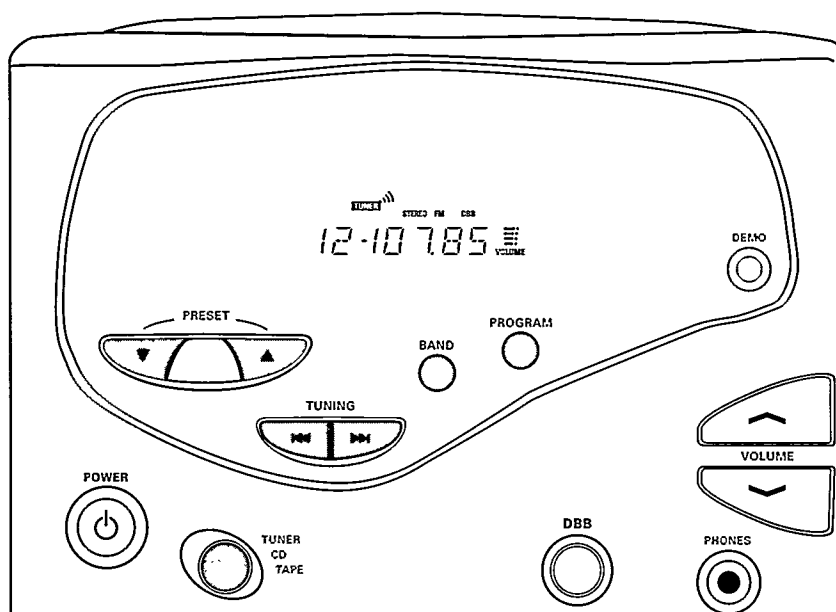
Dynamic Bass Boost (DBB)

- Press **DBB** to enhance the bass response.
→ The DBB flag lights up.

Demo mode

The system has a demonstration mode that shows the various features offered by the system.

- Press **DEMO** to switch on the demonstration.
→ The display will show "WELCOME TO THE AUDIO WORLD" and followed by the various features.
- Press **DEMO** again or **POWER** to stop the demonstration mode.



Tuning to radio stations

- 1 Press **SOURCE** to select TUNER.
- 2 Press **BAND** to select desired waveband : FM or MW.
- 3 Press **TUNING** |◀◀ or ▶▶| for more than one second.
 - The display will show 'SEARCH' until a station with sufficient signal strength is found.
- Repeat this procedure until the desired station is reached.
- In order to tune to a weak station, briefly press **TUNING** |◀◀ or ▶▶| until the display shows the right frequency and/or optimum reception has been obtained.

Storing Preset Stations

You can store up to twenty stations in the memory. When a preset station is selected, the preset number appears next to the frequency.

Automatic programming

- 1 Press **BAND** to select desired waveband : FM or MW.
- 2 Press **PROGRAM** for more than 1 second to start the automatic programming.
 - PROGRAM flashes and 'AUTO' is displayed.
 - Every available station will be stored automatically. The frequency and preset number will be displayed briefly.
 - It will stop searching when it had completed searching through the selected bandwidth and stored all the available stations or the memories for 20 preset stations are used up.
- You can cancel the automatic programming by pressing **PROGRAM, BAND, TUNING** |◀◀ or ▶▶| or **PRESET** ▼ or ▲.

Manual programming

- 1 Press **BAND** to select desired waveband : FM or MW.
- 2 Press **PROGRAM** for less than 1 second.
 - PROGRAM flashes on the display.
- 3 Press **TUNING** |◀◀ or ▶▶| to tune to the desired frequency.
- 4 Press **PRESET** ▼ or ▲ to select a desired preset number.
- 5 Press **PROGRAM** again.
 - PROGRAM disappears, and the station is stored.
- Repeat above procedure to store other preset stations.

Tuning to Preset Station

- Press **PRESET** ▼ or ▲ (**PREV** or **NEXT** on the remote control) to select the desired preset number.
 - The preset number, frequency and waveband appear on the display.

Changing the FM/MW tuning grid

(for specific versions only)

For FM Band : change from 50kHz to 100kHz or vice versa
For MW Band : change from 9kHz to 10kHz or vice versa

Changing of tuning grid will erase all previously stored preset stations.

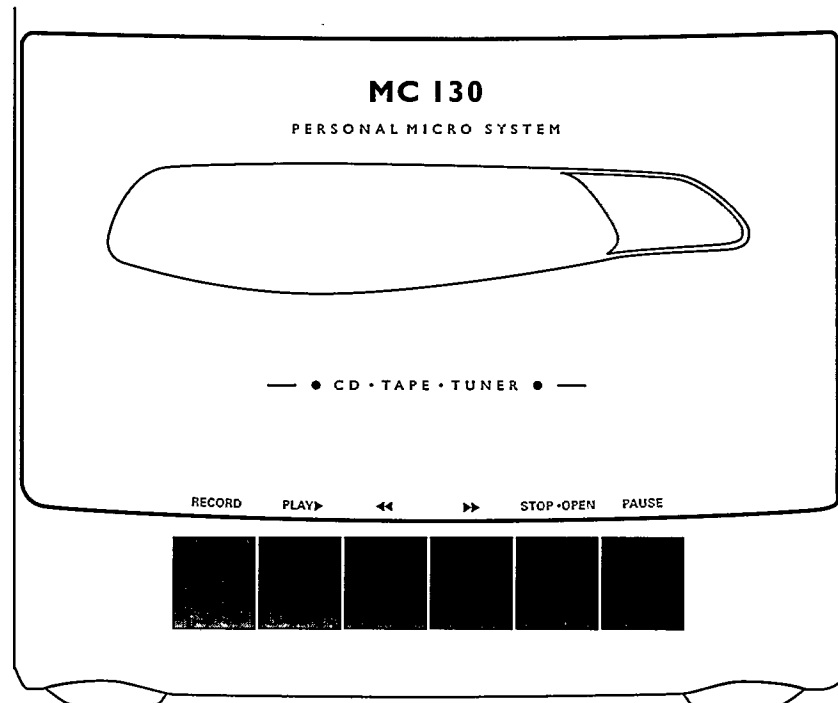
- 1 Switch the unit to standby mode and disconnect the unit from the AC power supply (pull out the AC power cord).
- 2 Keep **PROGRAM** and **TUNING** ▶▶| depressed, while reconnecting the system to the AC power supply again.
 - Display briefly shows "TUNER" and then followed "GRID 9" or "GRID 10".

Note:

GRID 9 indicates that the tuning grid is in step of 50 kHz in FM band and 9 kHz in MW band. GRID 10 indicates that the tuning grid is in step of 100 kHz in FM band and 10 kHz in MW band.

Cassette Deck

English



Loading a cassette

- Press **STOP•OPEN**.
- The cassette door opens.
- Load the cassette with the open side downward and the full spool to the left.
- Close the cassette door.

Tape Playback

- 1 Press **SOURCE** to select TAPE.
- 2 Load the cassette in **CASSETTE DECK**.
- 3 Press **PLAY ▶** to start play.
 - To interrupt playback briefly, press **PAUSE**. To resume playback, press **PAUSE** again.
- 4 Press **STOP•OPEN** to end play.

Fast Forward/Rewinding

- 1 You can rewind or forward the tape by pressing **◀◀** or **▶▶** respectively.
- 2 Press **STOP•OPEN** to stop forwarding or rewinding.

Note :

It is possible to forward or rewind a cassette when the set is in other source mode (e.g. tuner or CD mode)

Recording from other sources

- 1 Press **SOURCE** to select TUNER or CD.
- 2 Load a blank cassette in **CASSETTE DECK**.
- 3 Press **RECORD** to start recording.
 - The **RECORD** flag starts flashing.
- 4 To interrupt recording briefly, press **PAUSE**. To resume recording, press **PAUSE** again.
- 5 Press **STOP•OPEN** on **DECK** to stop recording.

Note :

Do not use protected cassette (i.e. cassette with the tabs removed), as it will make the **RECORD** button not functional.

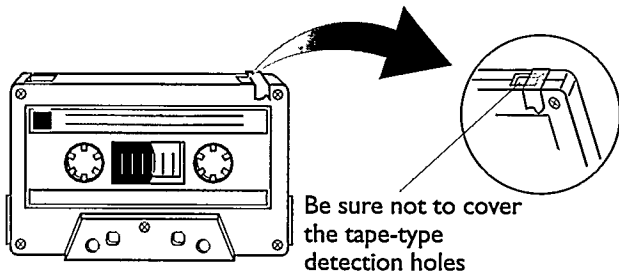
Automatic Switch-off

If the end of the tape is reached during playback, recording, fast forward or rewinding, the tape will stop and the respective tape button will be released automatically.

Cassette Deck

General Information

- For recording, use only cassette of IEC type I (normal cassette).
- The tape in the cassette is secured at both ends with leader tape. At the beginning and end of cassette, nothing will be recorded for six to seven seconds.
- The recording level is set automatically, regardless of the position of VOLUME.
- Check and tighten slack tape before use with a pencil. Slack tape may get jammed or burst in the mechanism.
- To prevent accidental recording, break out the tab on the left shoulder of the cassette side. To re-record the cassette, cover each hole with plastic tape.



- C-120 tape is extremely thin and easily get deformed or damaged. It is not recommended for use in this unit.
- Store the cassettes at room temperature and do not put them too close to magnetic field (for example, transformer, TV and loudspeaker boxes).

Compact Disc

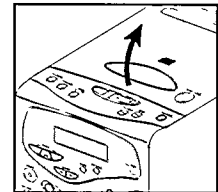
Warning!

- 1) This set is designed for conventional CDs. Do not use any accessories like disc stabilizer rings or CD treatment sheets, etc. as offered on the market, as these may cause malfunction of the CD mechanism.
- 2) Do not load more than 1 disc into the tray.

In addition to the conventional 12-cm disc, 8-cm disc can also be used without an adaptor.

Loading a Disc

- 1 Press **SOURCE** to select CD.
- 2 Press **OPEN•CLOSE** at the top of the set.
 - Disc cover opens upward.
- 3 Load a disc with **printed side up**.
- 4 Close the CD cover.
 - The total number of tracks and playing time appear on the display.



Playing a Disc

- 1 Press **PLAY•PAUSE ►II** (or **PLAY** on the remote control) to start play.
 - The track number and elapsed playing time of the current track appear on the display.
 - To interrupt play, press **PLAY•PAUSE ►II**.
 - The playing time flashes.
 - To resume play, press **PLAY•PAUSE ►II** again (or **PLAY** on the remote control).
- 2 To stop play, press **STOP ■** (or **STOP** on the remote control).

Note :

When the CD has stopped playing, the set will switch to the standby mode automatically after 15 minutes if no button is pressed.

Selecting a desired track

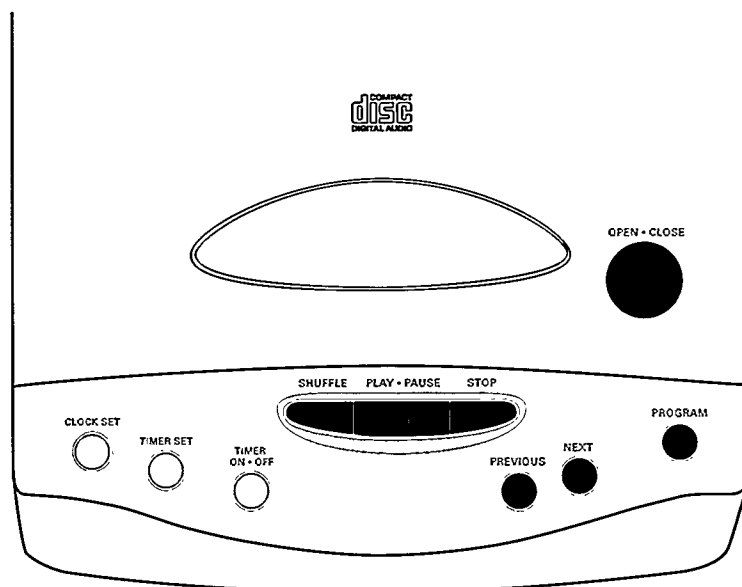
Selecting a desired track at the stop mode

- 1 Press **◀◀ PREVIOUS** or **NEXT ▶▶** (**PREV** or **NEXT** on the remote control) until the desired track appears on the display.
- 2 Press **PLAY•PAUSE ►II** (or **PLAY** on the remote control) to start play.
 - The selected track number and elapsed playing time appear on the display.

Selecting a desired track during play mode

- 1 Press **◀◀ PREVIOUS** or **NEXT ▶▶** (**PREV** or **NEXT** on the remote control) until the desired track appears on the display.
 - The selected track number and elapsed playing time appear on the display.
- If you press **◀◀ PREVIOUS** once it will skip to the beginning of the current track and play the track again.

Compact Disc



Searching for a particular passage during play

- Press and hold **◀◀ PREVIOUS** or **NEXT ▶▶** until the desired passage is located. During the search the sound is played faster than normal at a reduced volume. Play returns to normal when **◀◀ PREVIOUS** or **NEXT ▶▶** is released.

Shuffle

SHUFFLE – playing all the tracks in the disc in random order. It can also be used during program mode.

To shuffle all the tracks

- 1 Press **SHUFFLE**.
 - "SHUFFLE" appears briefly on the display.
 - The SHUFFLE flag and the track selected at random appear on the display.
 - The tracks will now be played in random order, until you press **STOP**.
- 2 Press **SHUFFLE** again to resume normal play.
 - The SHUFFLE flag disappears from display.

Programming Tracks

Programming tracks of the loaded CD is possible in stop mode of the CD. Reviewing of program is only possible in stop mode. The display will indicate the total tracks stored in the program. Up to 20 tracks can be stored in the memory in any order. When 20 tracks are stored and you attempt to store another track, the display will show "PROGRAM FULL."

- 1 Insert a CD with its printed side up in the CD tray.
- 2 Press **PROGRAM** to start programming.
 - The PROGRAM flag flashes on the display.
- 3 Press **◀◀ PREVIOUS** or **NEXT ▶▶** to select the desired track.
- 4 Press **PROGRAM** to store the track.
 - Repeat steps 3 and 4 to store other tracks.

- 5 Press **STOP** once to end programming mode.
 - The total number of tracks programmed and total playing time appear on the display.

Playing the program

- 1 Press **PLAY • PAUSE** to start program play.
 - The track number and elapsed playing time of the current track appear on the display.
- 2 Press **STOP** to end program play.

Reviewing the program (only in the stop position)

- Press **◀◀ PREVIOUS** or **NEXT ▶▶** repeatedly to review the programmed tracks.

Erasing the program (in the stop position)

- Press **STOP** or **OPEN • CLOSE**.
 - "PROGRAM CLEARED" appears on the display.

Note :

Program is also erased when the set is switched off.

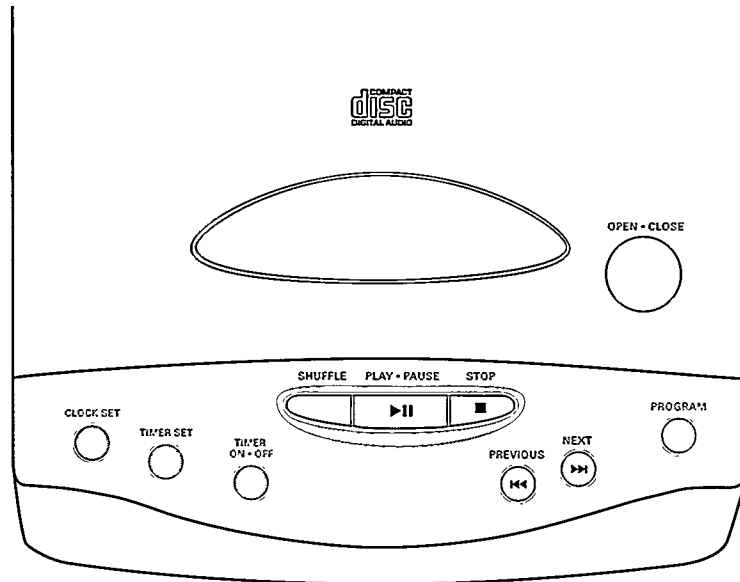
CD Recording

During CD recording,

- it is not possible to listen to another sound source.

CD Recording

- 1 Load a blank cassette (full spool to the left) into cassette deck.
- 2 Press **SOURCE** to select CD.
- 3 Load a disc into the disc tray.
- 4 Press **◀◀ PREVIOUS** or **NEXT ▶▶** to select the desired track. If desired, you can program the tracks in the order you want them to be recorded (see Programming Tracks).
- 5 Press **RECORD** on cassette deck to start recording.
 - The RECORD flag flashes on the display.
 - CD starts playing.
- 6 Press **STOP** on CD and **STOP • OPEN** on cassette deck to stop recording.



Setting the clock

The clock is displayed in military time.
For examples 13:00 = 1 P.M. and 00:00 = 12 A.M.

- 1 Press **CLOCK SET**.
→ "00:00" starts flashing.
- 2 Set the hour with **PRESET** ▼ or ▲.
- 3 Set the minute with **TUNING** |◀◀ or ▶▶| .
- 4 Press **CLOCK SET** again to store the setting.
→ The clock starts running.

Note:

- When a power interruption occurs, the clock settings are erased, and "0:00" will flash on the display.

Setting the Timer

- The system can switch on to TUNER or CD mode automatically at a preset time. It can serve as an alarm to wake you up. After half an hour from the preset time, the system will return to the standby mode.
- Before setting the timer, make sure the clock is set correctly.
- The timer works only once for each setting.
- **The volume of the timer will be at the last setting before the set is switched off.**

Timer Setting

- 1 Press **TIMER SET**.
→ The **TIMER** flag flashes.
- 2 Press **PRESET** ▲ to select the desired source.
→ The display will switch as follows:
TUNER → CD → TUNER ...
- 3 Press **TIMER SET** to confirm your selection.
→ The display will shows "ON 00:00" and "00:00" flashes.
- 4 Press **PRESET** ▼ or ▲ to set the hour for timer start.
- 5 Press **TUNING** |◀◀ or ▶▶| to set the minutes for timer start.
- 6 Press **TIMER SET** to store the start time.
→ The **TIMER** is now activated.
→ The **TIMER** flag remains lighted up.

To stop the **TIMER**

- Press **TIMER ON•OFF** on the set.
→ The **TIMER** is now switch off.

To start the **TIMER** again

- Press **TIMER ON•OFF** on the set.
→ The display will now show the last set start time of the **TIMER** and its flag.
→ The **TIMER** flag remains lighted up.

Note:

1. If the source selected is TUNER, the last tuned frequency will be switched on.
2. If the source selected is CD, the first track of the disc will be played. If the CD tray is empty, the TUNER source will be selected instead.

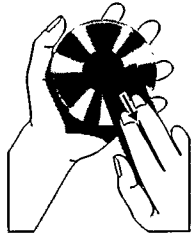
Maintenance

Cleaning the Cabinet

- Use a soft cloth slightly moistened with mild detergent solution. Do not use solution containing alcohol, spirits, ammonia or abrasive.

Cleaning Discs

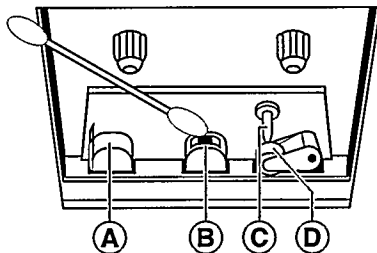
- When a disc becomes dirty, clean it with a cleaning cloth. Wipe the disc from the centre out.



- Do not use solvents such as benzene, thinner, commercially available cleaners, or anti-static spray intended for analog records.

Cleaning the Heads and the Tape Paths

- To ensure good recording and playback quality, clean the heads (A) and (B), the capstan (C), and pressure roller (D) after every 50 hours of tape operation.



- Use a cotton swab slightly moistened with cleaning fluid or alcohol.

Demagnetizing of heads

- Use a demagnetizing cassette available at your dealer.

Specifications

AMPLIFIER

Output power (3Ω speakers)	2 x 10 W RMS
.....	180 W PMPO
Power bandwidth	40 - 20000 Hz
Frequency response	80 - 15000 Hz
Signal-to-noise ratio	≥ 80 dBA (IEC)
Stereo separation	≥ 55 dB (1 kHz)
Outputs	
Loudspeakers	≥ 3Ω
Headphones	32 Ω - 1000 Ω

TUNER

FM wave range	87.5 - 108 MHz
MW wave range	
9 kHz Grid	531 - 1602 kHz
10 kHz Grid	530 - 1700 kHz
Sensitivity at 75 Ω FM mono, 26 dB S/N ratio	3.88 μV
46 dB signal-to-noise ratio, FM Stereo	61.4 μV
FM Frequency response	63 - 12500 Hz (±3 dB)
Signal-to-noise ratio	≥ 50 dBA
Total Harmonic Distortion	< 2%

CD PLAYER

Frequency range	20 - 20000 Hz
Signal-to-noise	≥ 86 dBA
Channel separation	≥ 40 dB
Total harmonic distortion	≤ 65 dB

CASSETTE DECK

Frequency range	
Normal tape (type I)	80 - 14000 Hz (±5 dB)
Signal-to-noise ratio	
Normal tape (type I)	≥ 48 dBA
Wow and flutter	≤ 0.4% DIN

CABINET

Material/finish	Metal and polystyrene
Dimensions (w x h x d)	480 x 255 x 279 (mm)
Weight with/(without) speakers	6.85/(3.45) kg approx.

Subject to modification

Trouble Shooting Guide

Warning! Under no circumstances should you try to repair the set yourself, as this will invalidate the guarantee.

- If a fault occurs, first check the points listed below before taking the set for repair.
- Should any problems persist after you have made these checks, consult your nearest dealer or service centre.

Symptom	Cause	Remedy
Radio Reception		
The STEREO indicator flashes	The signal strength is too weak.	Adjust the antenna.
Severe hum or noise	The signal strength is too weak. The TV or VCR is too close to the stereo system.	Adjust the antenna. Separate the stereo system from the TV or VCR. Connect the external antenna for better reception.
Cassette Deck Operation		
Recording or playback cannot be made or there is a decrease in audio level	Dirty tape heads. Magnetic build-up in the record/playback head	See section on cassette deck maintenance. Use demagnetizing cassette
Excessive wow or flutter, or sound drop-out	Contamination of the capstans or pinch rollers.	See section on cassette deck maintenance.
CD Player Operation		
"NO DISC" is displayed.	The disc is inserted upside down. Moisture condensation. There is no disc in the CD tray. The CD is dirty, badly scratched or warped.	Place CD with printed side up. Wait until lens has adjusted to normal room temperature. Insert a CD. Replace or clean CD.
General		
Set not working.	Set does not react when function buttons are pressed.	Press POWER to switch off and then on the unit or in the worst case, pull the mains plug out of the wall socket and then reconnect the unit.
No or poor sound.	Volume is not turned up. The headphones are connected. Speakers are not connected or are connected wrongly.	Press VOLUME \wedge . Disconnect the headphones. Check that the speakers are connected. Make sure that the stripped speaker wire is clamped.
Reversed left and right sound.	Speakers are connected wrongly	Check the speaker connections and speaker location.
Lack of bass sound or apparently imprecise physical location of musical instruments	Speakers are connected wrongly.	Check the speaker connection for proper phasing, red/black wires to red/black terminals.
Clock blinking	Power interruption	Adjust the clock.
Remote control has no effect on the set	The distance or angle to the system is too large. Batteries are incorrectly inserted. Batteries are exhausted. Wrong sound source is selected.	Reduce the distance or angle. Insert the batteries correctly. Replace the batteries. Select the sound source before pressing the functional button.
Timer not working	Timer not on. Recording is active.	Press TIMER ON • OFF on the set to switch on.
"PRESS DEMO TO EXIT" is displayed	Demo mode is switched on.	Press POWER or DEMO to switch off demo mode.

MC 130

