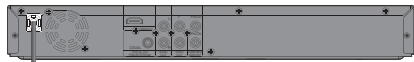


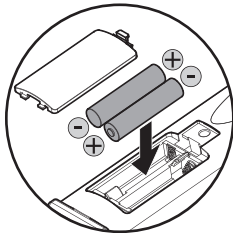
3. Prepare

- 1 After all the connections are complete, connect the AC power cord.



to AC outlet

- 2 Insert two Size AAA (R03) (1.5V) batteries.



- 3 Press [STANDBY-ON] to turn on the unit.

- 4 Turn on your TV.

- 5 Press the button on the TV's remote control that accesses the external input channel. It may be labeled "SOURCE", "AV" or "SELECT" (refer to your TV's user manual).

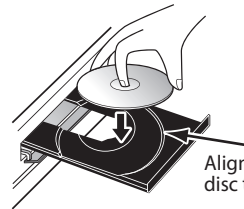


If the TV is connected by an HDMI cable, it may take a while for the opening picture to come up.

4. Play

- 1 Press [OPEN/CLOSE] to open the disc tray.

- 2 Place the disc on the disc tray with its label side facing up.



Align the disc to the disc tray guide.

- 3 Press [OPEN/CLOSE] to close the disc tray.

It may take a while to load the disc.

- 4 Playback may start automatically. If not, press [▶] (play).

To pause playback:

Press [⏸] (pause).

To return to the normal playback:

Press [▶] (play).

To stop playback:

Press [■] (stop).

E5P04UD_E5P05UD
1VMN28576 ★★★★★
Printed in China



1VMN28576

MAGNAVOX



Quick Start Guide

Blu-ray Disc Player

MBP1100/F7

1. Select ▶ 2. Connect ▶ 3. Prepare ▶ 4. Play



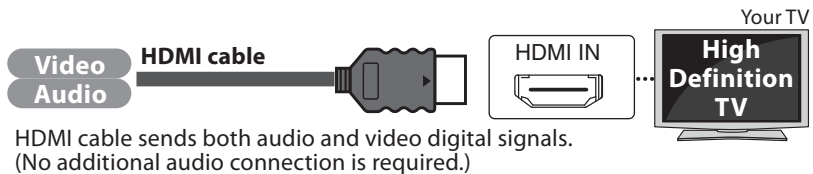
For more info,
please contact **1-800-605-8610**
or visit : www.magnavox.com/support



Please read the supplied Owner's
Manual for the detailed instructions.

1. Select the appropriate connection

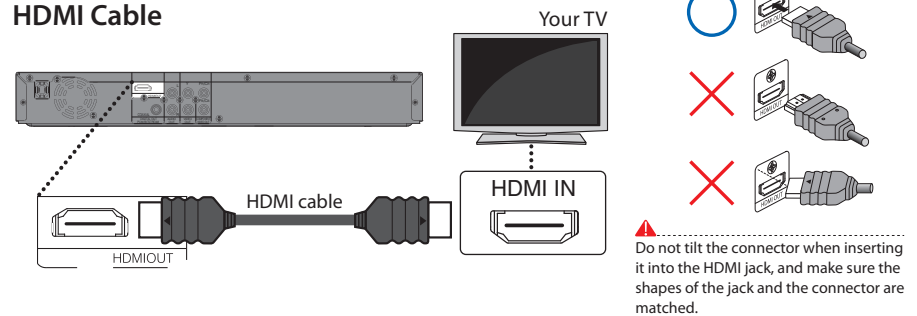
Best Supports up to 1080i / 1080p, 1080p24 resolution.



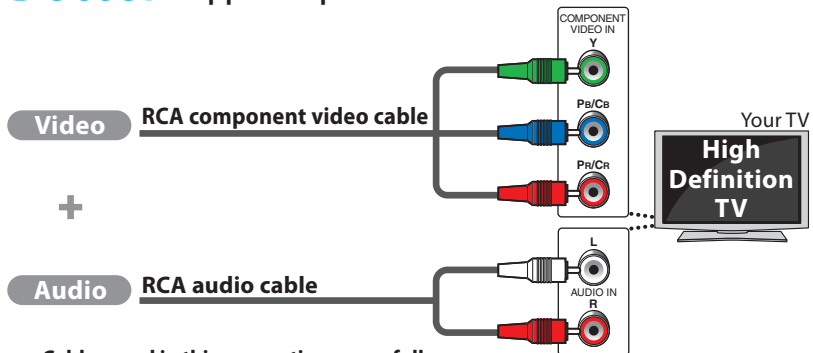
HDMI Cable not included.
High Speed HDMI Cable (also known as HDMI category 2 cable) is recommended for the better compatibility.



HDMI Cable



Better Supports up to 1080i resolution.

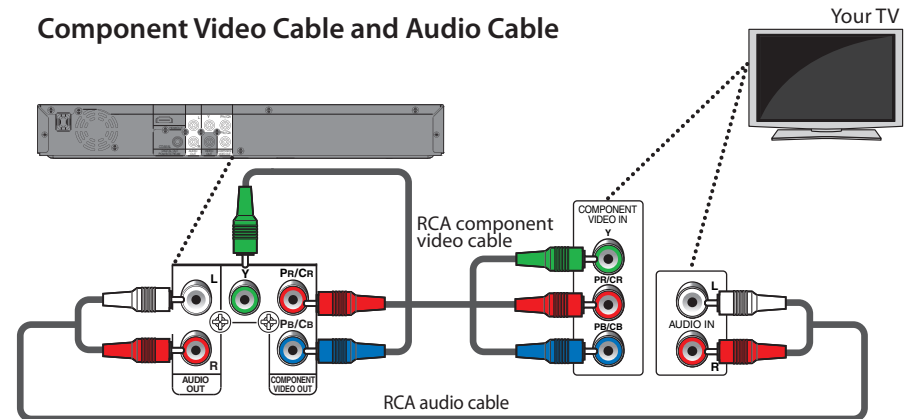


Cables used in this connection are as follows:

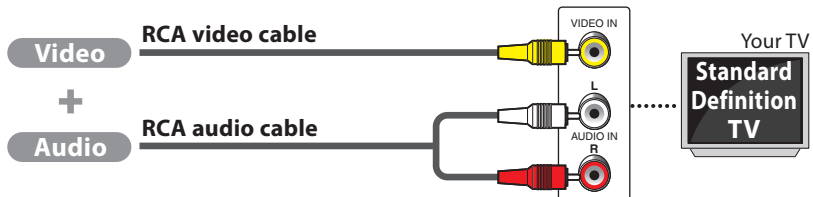
- RCA audio cable (L/R) x 1 (Included)
- RCA component video cable x 1 (Cable not included.)



Component Video Cable and Audio Cable



Basic Supports only 480i resolution.

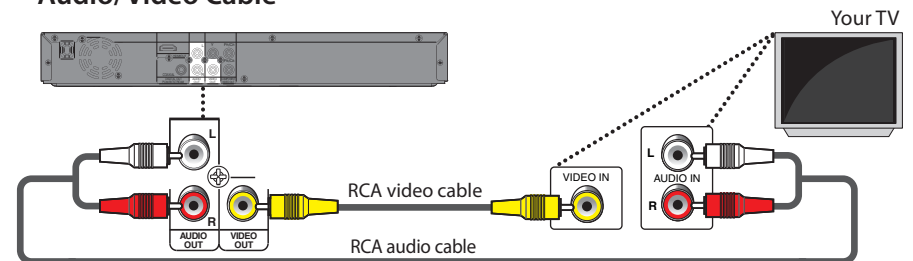


Cables used in this connection are as follows:

- RCA audio cable (L/R) x1 (Included)
- RCA video cable x1 (Included)



Audio/Video Cable



For more info, please contact **1-800-605-8610** or visit : www.magnavox.com/support



Please read the supplied Owner's Manual for the detailed instructions.