

Always there to help you

Register your product and get support at
www.philips.com/welcome



M100
M100E



User manual

PHILIPS

Contents

1 Important	2
Safety	2
Notice	2
Compliance	3

2 Your wireless home monitor	4
What's in the box	4
Product overview	4

3 Placement	5
--------------------	---

4 Set-up	6
Connect Monitor to Wi-Fi network	6
Use the monitor	6

5 Specifications	10
-------------------------	----

6 Troubleshooting	10
--------------------------	----

1 Important

Safety

- Only use attachments/accessories specified by the manufacturer.
- Use only power supplies listed in the user manual.
- The product shall not be exposed to dripping or splashing.
- Do not place any sources of danger on the product (e.g. liquid filled objects, lighted candles).
- The small part of this monitor can be swallowed by babies or small children. Keep these parts out of reach of children.
- Where the plug of the Direct Plug-in Adapter is used as the disconnect device, the disconnect device shall remain readily operable.



Warning

- Never remove the casing of this product.
- Never lubricate any part of this product.
- Never place this product on other electrical equipment.
- Keep this product away from direct sunlight, naked flames or heat.
- Ensure that you always have easy access to the power cord, plug or adaptor to disconnect the product from the power.
- Where the plug of the Direct Plug-in Adapter is used as the disconnect device, the disconnect device shall remain readily operable.

Notice

Any changes or modifications made to this device that are not expressly approved by WOOX Innovations may void the user's authority to operate the equipment.

Disclaimer

If you are on a remote Wi-Fi network or 3G connection, 10 seconds to 15 seconds delay in video and audio streaming to your smartphone can occur.

Your use of Philips In.Sight, which is provided by Yoics Inc., is at your sole risk. Koninklijke Philips Electronics N.V. and its subsidiary companies (individually and collectively "Philips") are not responsible for the operation of such Philips In.Sight or your use thereof and Philips shall have no liability to you related thereto.

This home monitor is intended as an aid. It is not a substitute for home security supervision and should not be used as such.

Environmental information

All unnecessary packaging has been omitted. We have tried to make the packaging easy to separate into three materials: cardboard (box), polystyrene foam (buffer) and polyethylene (bags, protective foam sheet.)

Your system consists of materials which can be recycled and reused if disassembled by a specialized company. Please observe the local regulations regarding the disposal of packaging materials, and old equipment.



Your product is designed and manufactured with high quality materials and components, which can be recycled and reused.



When this crossed-out wheeled bin symbol is attached to a product it means that the product is covered by the European Directive 2002/96/EC.

Please inform yourself about the local separate collection system for electrical and electronic products.

Please act according to your local rules and do not dispose of your old products with your normal household waste. Correct disposal of

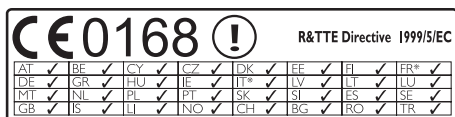
your old product helps to prevent potential negative consequences for the environment and human health.

Specifications are subject to change without notice. WOOX reserves the right to change products at any time without being obliged to adjust earlier supplies accordingly.

Compliance



This product complies with the radio interference requirements of the European Community.



* Wireless and Ethernet LAN functions are authorized for indoor use only.

Hereby, WOOX Innovations, declares that this wireless Home Monitor (M100, M100D, M100E, M100G) is in compliance with the essential requirements and other relevant provisions of Directive 1999/5/EC.

A copy of the EC declaration of Conformity is available in the Portable Document Format (PDF) version of the user manual at www.philips.com/support.

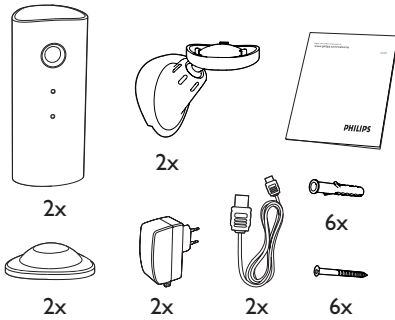
2 Your wireless home monitor

- ④ Magnetic base
- ⑤ DC power connector
- ⑥ Reset key

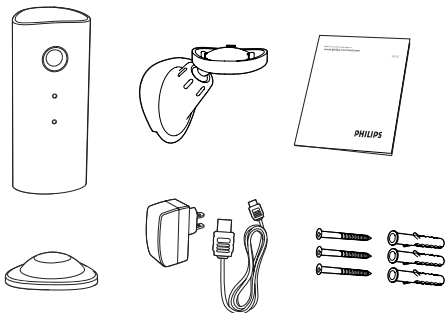
Please read and understand the accompanied safety sheet before you use this monitor.

To fully benefit from the support that Philips offers, register your product at www.philips.com/welcome.

What's in the box



Product overview



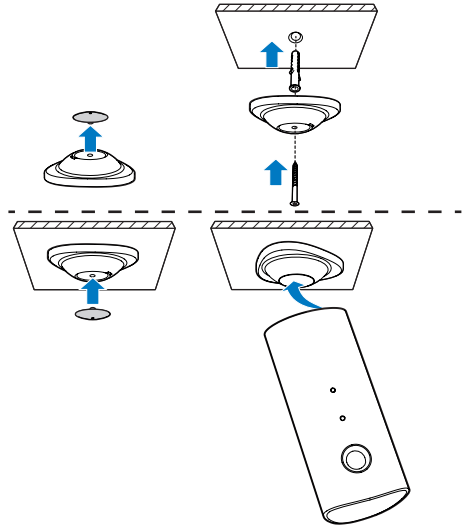
- ① Camera lens
- ② Microphone
- ③ LED light

3 Placement

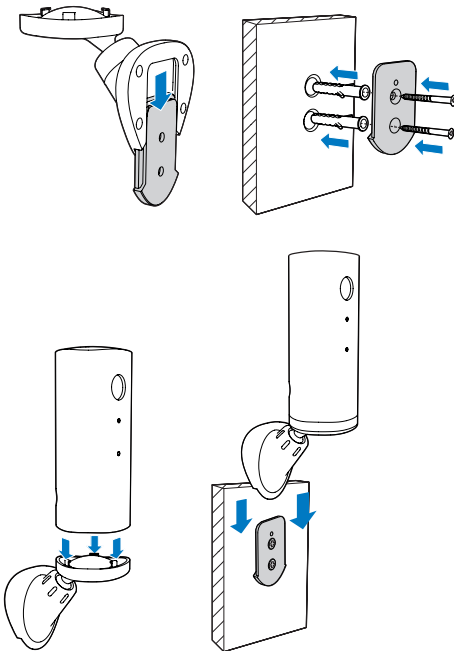
You can place the Monitor on a flat surface with the magnetic base. Or you can attach it to the ceiling or wall, see the pictures below:

Note

- Before you place the monitor; make sure the monitor is close to a power outlet.
- Before you secure the supplied dowels and screws, drill holes on a flat and hard surface.



Mount on wall



Mount on ceiling

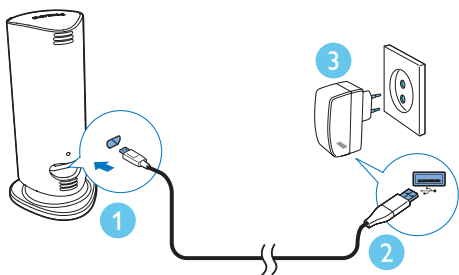
If you install on a ceiling, select **'Image Flip'** (Image Flip) in the 'Settings (⚙️)' options of your monitor.

4 Set-up

You can see and hear what is happening in your room from anywhere in the world with a smartphone.

What you need

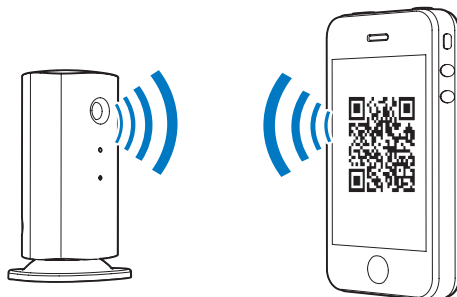
- 1 Make sure your Wi-Fi router is turned on and that your Smartphone or Tablet is wirelessly connected to your Wi-Fi router network.
- 2 Have your Wi-Fi network name (SSID) and Wi-Fi network password available as you need to fill these in. You can look up your Wi-Fi network name in the settings of your phone or tablet.
- 3 Download 'Philips In.Sight' App from Apple App Store, or Android Market (Google Play).
- 4 Connect the monitor to power. When power is connected, wait till the Monitor light flashes Amber.



Connect Monitor to Wi-Fi network

- 1 Make sure that your smartphone or tablet is connected to your Wi-Fi network.
- 2 Start the App.
- 3 Log in with your Philips In.Sight account – or create a new account if you don't have an account.

- 4 Follow the on-screen App instructions.
- 5 When prompted, input your Wi-Fi password.
 - If you want to set-up another monitor, repeat the steps of '4 – Set-up'.
- 6 In.Sight App will generate a QR code, and hold approx. 15 cm (0,5 ft) in front of the monitor lens.



Use the monitor

After set-up, you are ready to use the monitor. Launch the Philips In.Sight App on your smartphone or tablet.

You can use the monitor when it is connected to your own Wi-Fi network or any other Wi-Fi network. If there is no Wi-Fi network available, it will work over 3G. Please note that 3G data charges can occur.

After log-in, you see thumbnail overview of the monitor(s). Tap the thumbnail for full screen viewing.

Application Overview

● : Monitor Connection status. lighting up in green means the monitor is connected to Wi-Fi, and able to stream video. In this case, make sure that the monitor is connected to Wi-Fi, and repeat the '4 – Set-Up' if necessary, or consult the 'Troubleshooting' section.

👤 : Motion alert:

- The icon always highlights in blue. Change to red when the monitor detects motion. (for Apple)
- The icon is in blue/gray when motion alert is enabled/disabled, highlights with a red exclamation mark when the monitor detects motion. (for Android)

🔊 : Audio alert:

- The icon always highlights in blue. Change to red when the monitor detects audio. (for Apple)
- The icon is in blue/gray when audio alert is enabled/disabled, highlights with a red exclamation mark when the monitor detects audio. (for Android)

👤 : Share Monitor:

- The icon highlights in blue when you share your monitor to your friend. The icon is hidden when you disable share to your friend. (for Apple)
- The icon highlights in blue when you share your monitor to your friends. Change to gray when you disable share to your friend. (for Android)

📄 : Monitor list: list all your monitors.

🔔 : Alert list: list the alerts from your monitors.

⚙️ : Settings: settings and options for monitors. For Android device, press **MENU** to access the menu.

My Monitors (My Monitor) tab: Lists your monitors.

Friend's (Friend's) tab: View monitor's video shared by your friends.

Add (Add) tab: Add additional monitors. (for Apple device)

Add monitors (Add monitors) tab: Add additional monitors. Press **MENU** to access the menu. (for Android device)

Take a photo

1) Tap the thumbnail of the monitor on **📄** tab.

2) Tap **📷** to take a picture. The picture is stored on your smartphone.

Record video

1) Tap the thumbnail of the monitor on **📄** tab.

2) Tap **📹** to record a video. The video is directly uploaded to your private Dropbox account. You can register yourself for a free account or fill in your account details in 'Settings' - 'GENERAL (General)'.

Motion alert

≡ Note

- Before setting up motion alert and audio alert, make sure that a Dropbox account is created.

If the monitor detects a movement within a specified range, a 30-second video is recorded to your Dropbox account, and you will receive an alert from your smartphone or tablet. You have an overview of all alerts in the **🔔** list. To enable Dropbox upload, fill in your Dropbox account details in 'Settings' - 'GENERAL (General)'.

≡ Note

- You can clear alerts, delete alerts, and filter alerts by the monitor name if your smart phone or tablet is linked to a Dropbox account. (for Android only)
- Make sure that the **Alerts enabled** is enabled in '⚙️ Settings' - 'MONITOR'.

Set-up Motion Alert:

For Apple:

1) Tap **⚙️**, and select a monitor from the **Monitors** (Monitors) tab. Tap **👤** to enable motion alert.

2) Tap 'Motion' to set sensitivity. Drag and resize on the screen view to select the area to be monitored. Use the slider to set a sensitivity level.

Log-in to your Dropbox account to look at the recorded alert video.

For Android:

- 1) Press **MENU** on your smartphone or tablet.
- 2) Tap ' **⚙ Settings**', select a monitor from **MONITOR**(monitor) tab and tap **Motion alert** (Motion alert) to enable motion alert.
- 3) Tap **Motion Sensitivity** (Motion Sensitivity). Drag and resize on the screen view to select the area to be monitored. Use the slider to set a sensitivity level.

Log-in to your Dropbox account to look at the recorded alert video.



Tip

- The selection of low sensitivity can reduce motion trigger and ignore the movement of small objects.

Audio alert

If the monitor detects noise within a specified range, a 30-second video is recorded to your Dropbox account, and you will receive an alert from your smartphone or tablet. You have an overview of all alerts in the **📄** list. To enable Dropbox upload, fill in your Dropbox account details in '**Settings**' – '**GENERAL** (General)'.



Note

- Make sure that **Alerts enabled** is enabled in ' **⚙ Settings**' - '**MONITOR**'.

Set-up Audio Alert:

For Apple:

- 1) Tap **⚙**, and select a monitor from **Monitors** (Monitors) tab. Tap **🔊** to enable audio alert.
- 2) Tap '**Audio**' to set sensitivity. Use the slider to set a sensitivity level.

Log-in to your Dropbox account to look at the recorded alert video.

For Android:

- 1) Press **MENU** button on your smartphone or tablet.
- 2) Tap ' **⚙ Settings**' - '**MONITOR**', select a monitor from **MONITOR**(monitor) tab, and tap **Audio alert** (Audio alert) to enable audio alert.
- 3) Tap **Audio Sensitivity** (Audio Sensitivity) and use the slider to set a sensitivity level.

Log-in to your Dropbox account to look at the recorded alert video.



Tip

- The selection of low sensitivity can reduce audio trigger and ignore low noise.

Share your monitor


Share the monitor's video to your family, friends or colleagues.

- 1) Tap **👤** from the monitor overview page. You can also enable '**Share Monitor** (share monitor)' then tap in '**Sharing list** (sharing list)' in ' **⚙ Settings**' (for Android). Tap '**Sharing list** (sharing list)' in ' **⚙ Settings**' (for Apple).
- 2) Make sure on your friend's smartphone or tablet, the Philips In.Sight App is installed and that an Philips In.Sight Account is created.
- 3) Fill in the email address of your friend you want to share the monitor with. The email address of your friend must be the same email address used to create the Philips In.Sight Account.

Watch the monitor on your web browser

After you have registered your account and set up the monitor via your smartphone or tablet, you can also watch it via your favorite web browser (Safari, Chrome, Internet Explorer, Firefox). Enter the following address in your web browser: www.insightwebview.philips.com.

Access more options

Tap  to enable or disable more options like audio and movement alerts, turn on or off the monitor light, Dropbox settings, change monitor name, **Image Flip** (Image Flip) or other settings.

5 Specifications

Note

- Specifications are subject to change without notice

Output resolution	VGA, QVGA
Lens	F2.8
Frame rate	30 fps at VGA, QVGA
Focus mode	0.4m
Focus range	1 m to infinity
Video format	h.264
Connectivity	Wi-Fi
Power supply	DC 5V, 600mA; Model name: ASUC30z-050060 (z = a, b, c, and e) a direct plug-in power adapter with USB output terminal and a different country plug type ('a'=America, 'b'=Britain, 'c'=Australia, 'e'=Europe)
Dimensions (w x h x d)	35.9 x 83.8 x 34.3mm
Net weight	approx. 52g
Operating temperature	0 to 40 degrees celsius
Software supported	iOS 4.3, iPhone 3GS and up, iPod Touch 4th generation or above Android 2.2 or above

6 Troubleshooting



Warning

- Risk of electric shock. Never remove the casing of the monitor.

To keep the warranty valid, never try to repair the monitor yourself.

If you have problems using this monitor, check the following points before you request service. If you still have a problem, register your monitor and get support at www.philips.com/support.

Cannot connect the monitor to a Wi-Fi network (the monitor light is blinking amber or green).

- If the monitor blinks amber; you can set-up the monitor again - please repeat '4 – Set-up' of this user manual.
- If the monitor still does not work or is blinking green or amber; you may need to reset the monitor by pressing the reset button with a thin object (i.e. paper clip) on the back of the monitor; hold this for more than 4 seconds. After that, repeat 4–Set-up of this user manual.
- Philips In.Sight supports general WEP, WPA and WPA2. Philips recommends using WPA or WPA2 as these are safest Wi-Fi security settings. The Philips In.Sight does not support WEP Sub Key 2, 3, 4. Please change your router settings to WPA or WPA2 if you are not able to connect, refer to your router's user manual.
- To improve wireless performance, avoid using a Wi-Fi channel that is heavily used (e.g. channel 11) or has overlap with a nearby other Wi-Fi network.
- Keep away from potential sources of interference which may affect Wi-Fi signal, such as microwave ovens.
- Unlike legacy solutions, In.Sight does not require port forwarding. There is no risk from leaving ports open on the

network. In.Sight uses secure peer to peer networking solution which provides a secure, encrypted connection each time your camera is viewed from a remote location. To learn more about secure connectivity with Philips In.Sight, visit <http://www.yoics.com>. This method of networking will work with most standard router settings and is also typically compatible with most anti-virus and internet security programs. On-line test diagnostic is available to determine if your network is compatible with these modern internet applications: http://www.yoics.com/yp_diags.php

What do the colored LED lights on the monitor mean?

- No light: no power is connected to monitor
- Solid amber light: Monitor is booting up
- Blinking amber light: Monitor is ready to set-up, follow App on-screen instructions (refer to '4 – Set-Up')
- Blinking green light: Monitor is connecting to Wi-Fi network
- Solid green light: Monitor is connected to Wi-Fi network and ready to use

Video streaming is slow or has a delay.

- The speed of login and getting the video feed from the monitor highly depends on the speed of the connection you are using.
- The Internet speed either from your Wi-Fi network or 3G/Edge highly influences the performance of the App. The faster the connection speed, the faster you can see the video from the Monitor.
- Philips recommends high-speed Internet connection of 800kbps upload speed or above for your Wi-Fi router.

When on a remote network (either another Wi-Fi network or on 3G), I can only watch for 5 minutes.

- When on a remote network – either Wi-Fi or on 3G, you can only watch 5 minutes per session. You have unlimited sessions per day. If you want to watch longer per

session, in-app upgrades are available. Go to 'Settings(⚙)' – 'General (General)', and select 'Service Plan (Service Plan)' for Apple, 'Upgrade account(Upgrade account)' for Android.

- When you are on your local Wi-Fi network, you have unlimited viewing time(for Android), 2 hours limited viewing time (for Apple).

I can only share to 2 friends, how can I share to more friends?

- When you want to share to more than 2 friends, in-app upgrades are available. Go to 'Settings(⚙)' – 'General (General)', and select 'Service Plan (Service Plan)' for Apple, 'Upgrade account(Upgrade account)' for Android.



Specifications are subject to change without notice
2014 © WOOX Innovations Limited. All rights reserved.
Philips and the Philips' Shield Emblem are registered trademarks of
Koninklijke Philips N.V. and are used by WOOX Innovations Limited
under license from Koninklijke Philips N.V.

