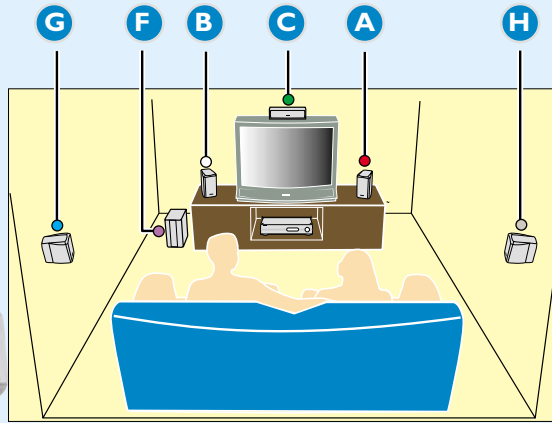


# Quick Use Guide

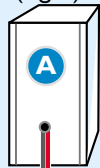
LX600

# PHILIPS

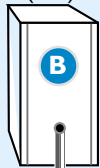
12nc: 8239 300 30352



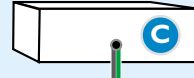
Front Speaker (right)



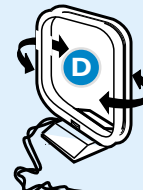
Front Speaker (left)



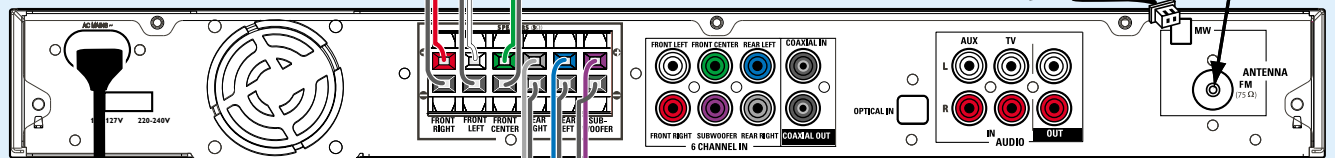
Centre Speaker



MW loop antenna



FM antenna



LX600

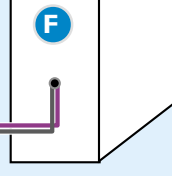
Rear Speaker (right)



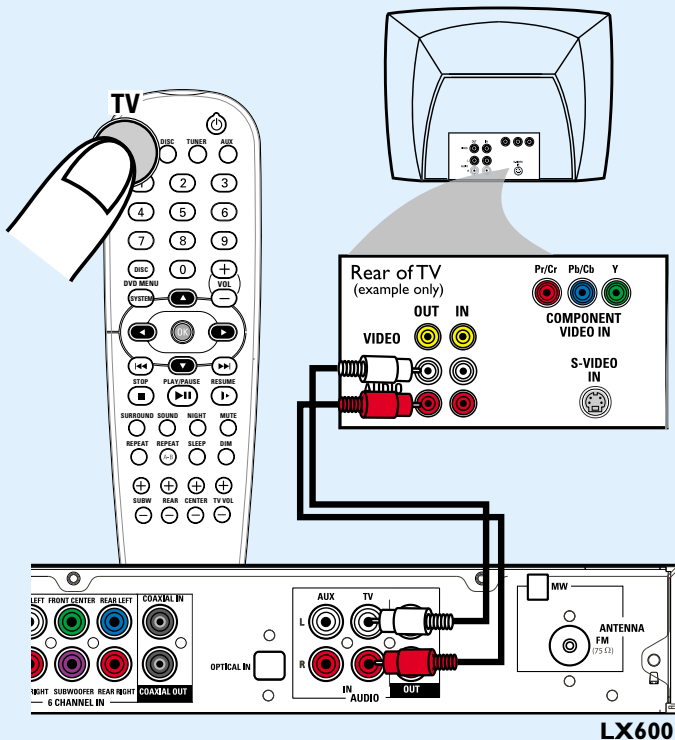
Rear Speaker (left)



Subwoofer

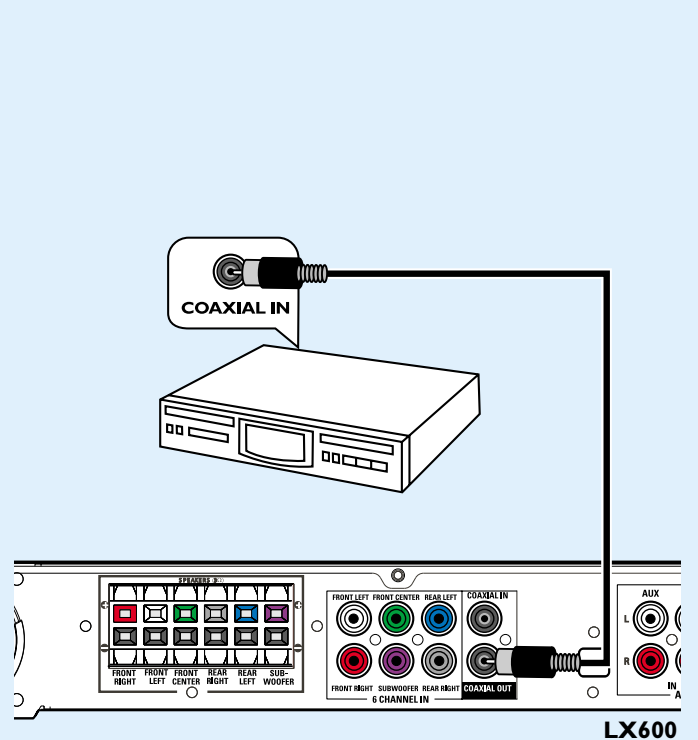


## Connecting to a TV



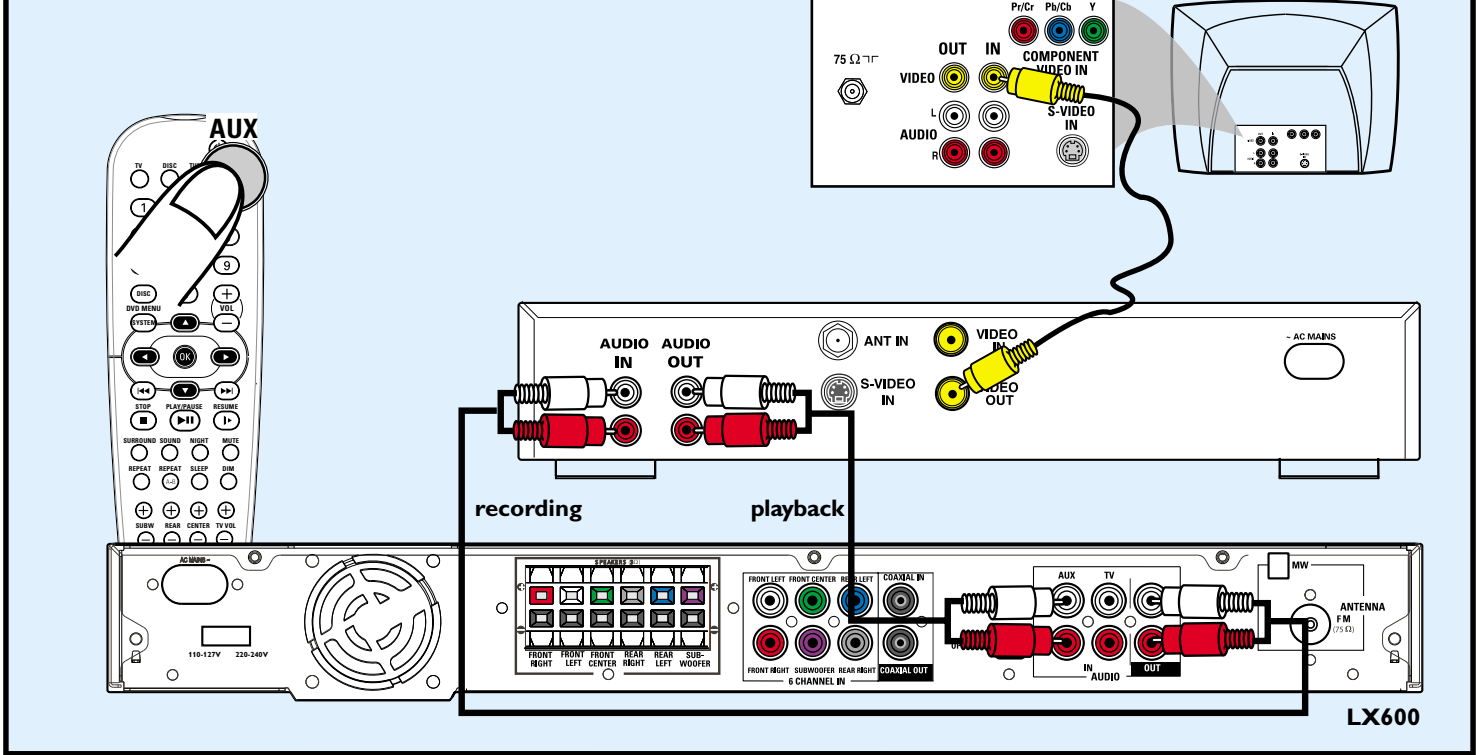
LX600

## Connecting to a CD Recorder

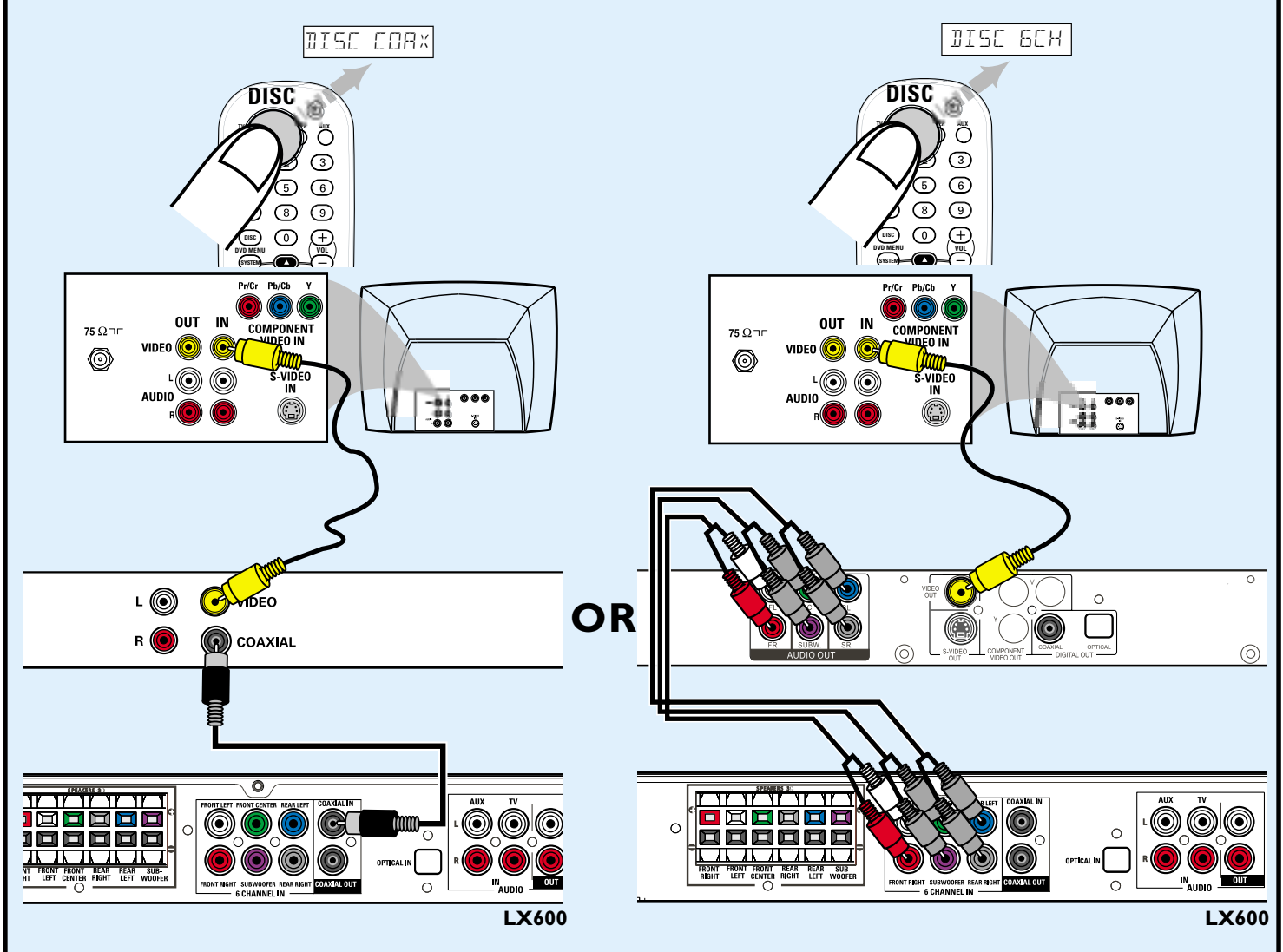


LX600

## Connecting to a VCR



## Connecting to a DVD player



Detailed playback features and additional functions are described in the accompanying owner's manual.