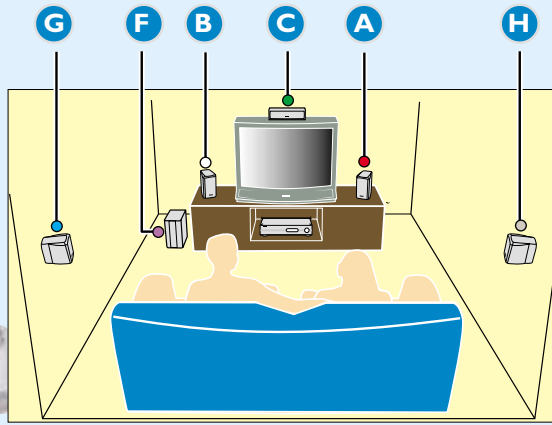


Quick Use Guide

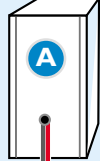
LX600

PHILIPS

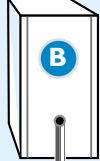
12nc: 8239 300 30591



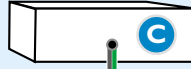
Front Speaker (right)



Front Speaker (left)



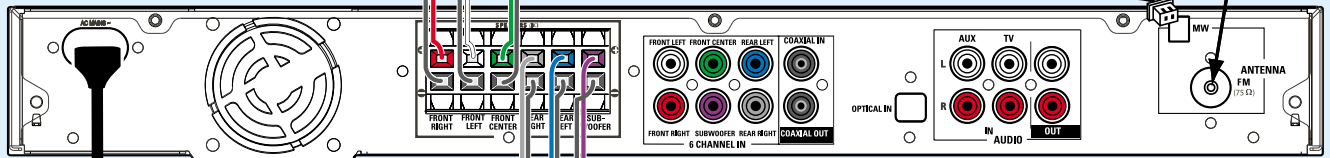
Centre Speaker



MW loop antenna



FM antenna



LX600

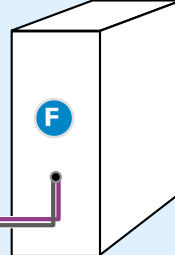
Rear Speaker (right)



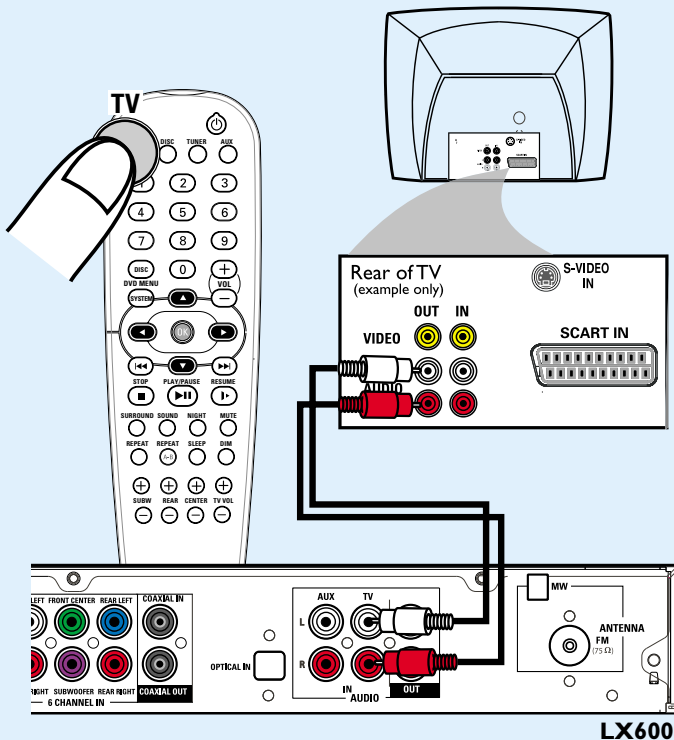
Rear Speaker (left)



Subwoofer

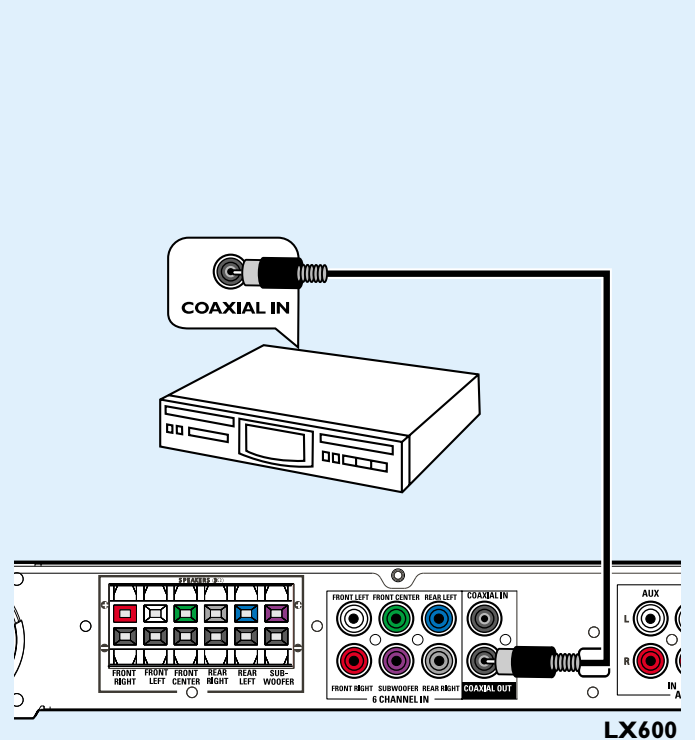


Connecting to a TV



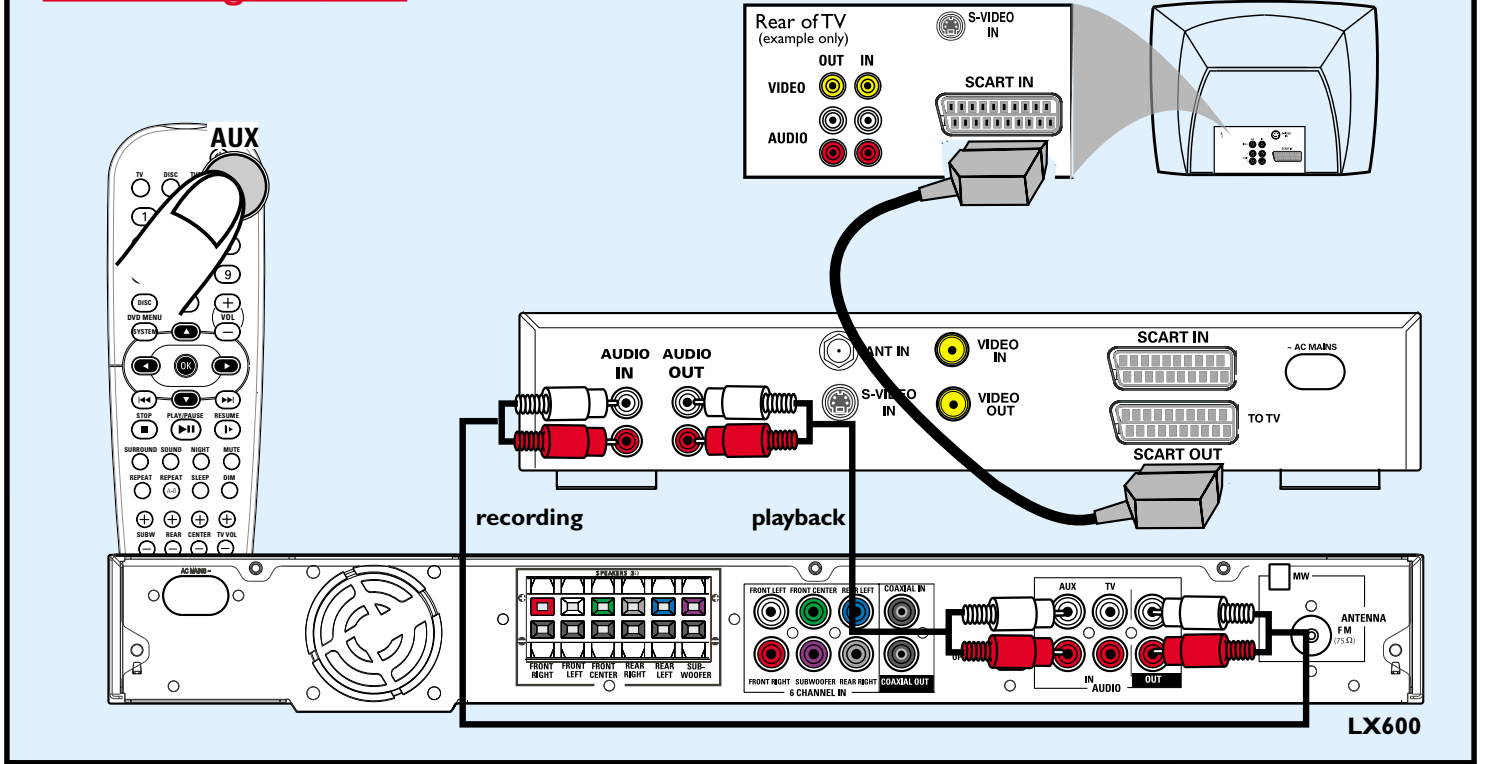
LX600

Connecting to a CD Recorder

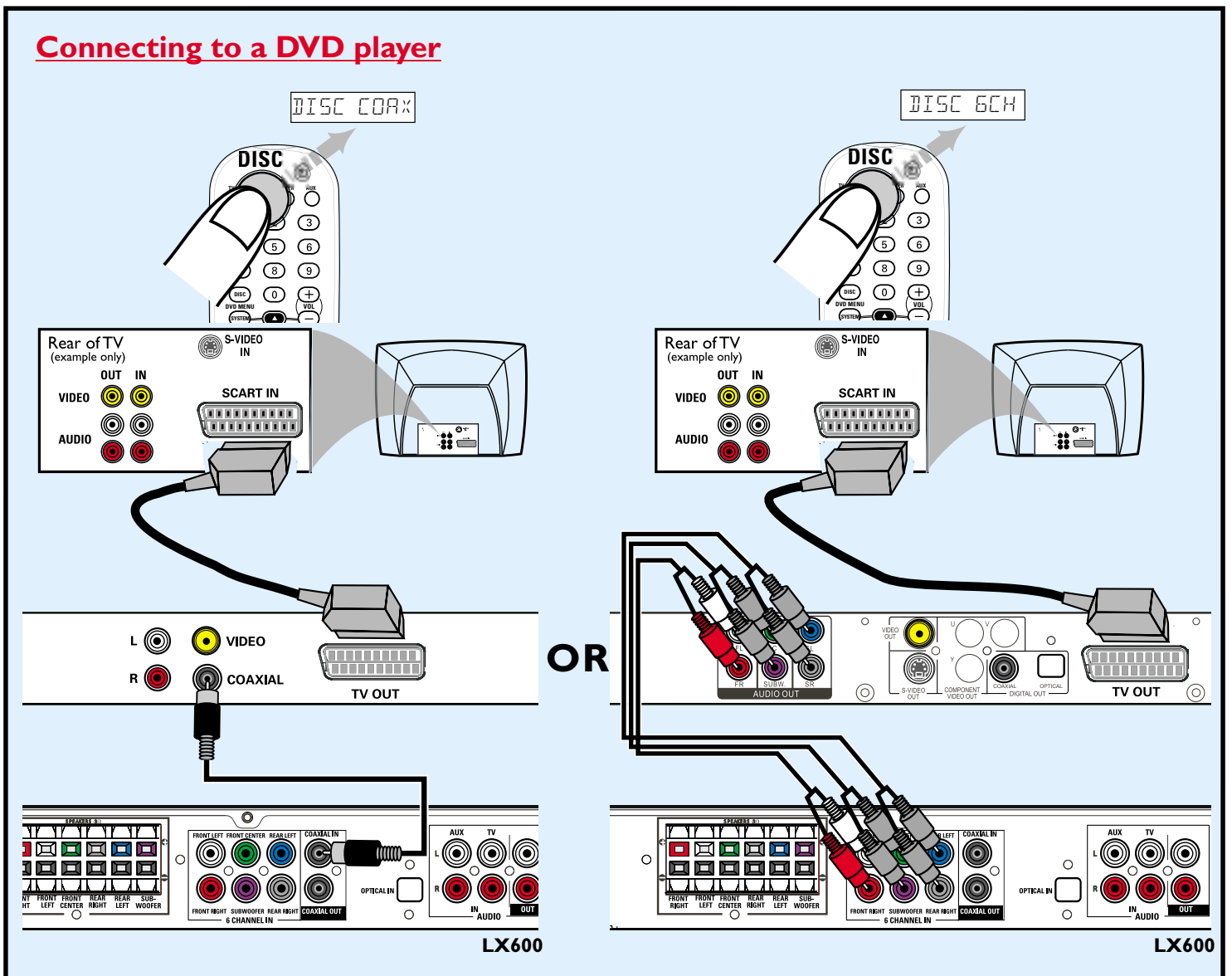


LX600

Connecting to a VCR



Connecting to a DVD player



Detailed playback features and additional functions are described in the accompanying owner's manual.