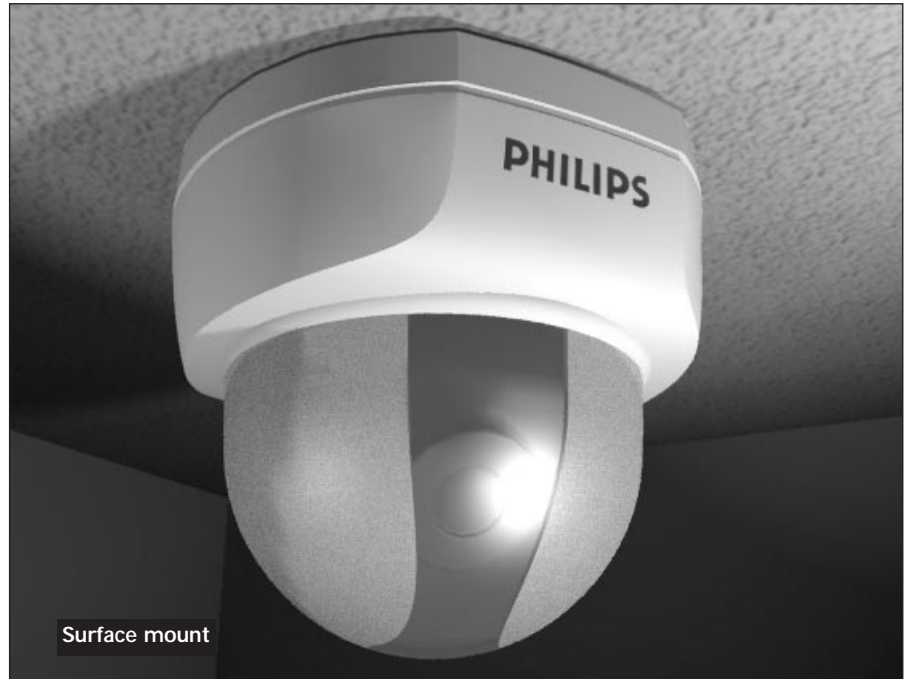


FlexiDome Series Monochrome and Color Fixed Dome Cameras

- Fixed Camera in 76 mm (3-inch) Dome
- Color (DSP) and Monochrome Models
- 1/3-inch Format CCD Image
- Backlight Compensation
- Choice of 3.6 mm or 6 mm Lens
- Dark or Light Dome Version
- Internal Manual Pan (360°) and Tilt (90°) Mechanism
- Flush & Surface Mounting and Ceiling & Wall Mounting



The LTC 1130 and LTC 1230 Series are compact fixed cameras in an attractive dome enclosure. The internal camera has a 1/3-inch image format. Available in two different lens versions, the camera provides semiwide or standard viewing angles. Both monochrome (CCIR and EIA RS-170) and color (PAL and NTSC) versions are available.

These cameras are designed for indoor use, where their attractive styling makes them blend easily with their environment. This makes them especially suited for retail, museums, and bank and hotel lobbies.

The cameras come ready to use and preadjusted for optimum picture quality. The wide range of electronic sensitivity control enables the camera to be used in all indoor lighting conditions.

With backlight compensation, the camera establishes a certain area for automatic light control. If an object falls within this area, the camera will automatically adjust to set optimum contrast, ensuring a usable picture of the object.

Two shutter control modes are selectable: electronic shutter or flickerless mode.

Installation is easy and straightforward on ceilings or walls. Wiring requires connection of power supply and video cables only.



SPECIFICATIONS

Type

Monochrome w/ 3.6 mm fixed lens
LTC 1132/10: CCIR, 3.6 mm, dark color
LTC 1132/11: CCIR, 3.6 mm, light color
LTC 1132/20: EIA, 3.6 mm, dark color
LTC 1132/21: EIA, 3.6 mm, light color

Monochrome w/ 6.0 mm fixed lens
LTC 1133/10: CCIR, 6.0 mm, dark color
LTC 1133/11: CCIR, 6.0 mm, light color
LTC 1133/20: EIA, 6.0 mm, dark color
LTC 1133/21: EIA, 6.0 mm, light color

Color w/ 3.6 mm fixed lens
LTC 1232/10: PAL, 3.6 mm, dark color
LTC 1232/11: PAL, 3.6 mm, light color
LTC 1232/20: NTSC, 3.6 mm, dark color
LTC 1232/21: NTSC, 3.6 mm, light color

Color w/ 6.0 mm fixed lens
LTC 1233/10: PAL, 6.0 mm, dark color
LTC 1233/11: PAL, 6.0 mm, light color
LTC 1233/20: NTSC, 6.0 mm, dark color
LTC 1233/21: NTSC, 6.0 mm, light color

Electrical (Monochrome Version)

Pickup Device: 1/3-inch CCD image sensor.

Num. of Pixel Elements: CCIR 512 (H) x 582 (V).
EIA 512 (H) x 492 (V)

Scanning System: 2:1 interlaced.
CCIR 15,625 kHz (H), 50 Hz (V).
EIA 15,750 kHz (H), 60 Hz (V).

Resolution: CCIR 380 TVL (H), EIA 380 TVL (H).

Minimum Illumination: 0.3 Lux (F1.4).

S/N ratio: 48 dB.

Auto Gain Control: 29 dB (max.).

Shutter Control Mode: Auto electronic shutter or flickerless mode switchable.

Electronic Shutter: Up to 1/100,000 sec.

Backlight Compensation: ON/OFF.

Gamma Compensation: 0.45.

Sync. System: Internal synchronization.

Built-in Lens:

LTC 1132/xx: 3.6 mm, F2.0 fixed lens.
LTC 1133/xx: 6.0 mm, F2.0 fixed lens.

Video Output: 1.0 Vp-p, 75 ohm unbalanced (composite).

Power Source: 12 VDC +/-10%, 150 mA¹.

Electrical (Color Version)

Pickup Device: 1/3-inch CCD image sensor.

Num. of Pixel Elements: PAL 500 (H) x 582 (V).
NTSC 500 (H) x 492 (V)

Scanning System: 2:1 interlaced.
PAL 15,625 kHz (H), 50 Hz (V).
NTSC 15,750 kHz (H), 60 Hz (V).

Resolution: PAL 330 TVL (H), NTSC 330 TVL (H).

Minimum Illumination: 2.2 Lux (F1.4).

S/N ratio: 46 dB.

Auto Gain Control: 32 dB (max.).

Shutter Control Mode: Auto electronic shutter or flickerless mode switchable.

Electronic Shutter: Up to 1/100,000 sec.

Backlight Compensation: ON/OFF.

Gamma Compensation: 0.45.

Sync. System: Internal synchronization.

Built-in Lens:

LTC 1132/xx: 3.6 mm, F2.0 fixed lens.
LTC 1133/xx: 6.0 mm, F2.0 fixed lens.

Video Output: 1.0 Vp-p, 75 ohm unbalanced (composite).

Power Source: 12 VDC +/-10%, 300 mA¹.

1. Use only a Class 2 listed, well regulated power supply.

Mechanical

Cable Entry:

Power: Screw Terminal.
Video: BNC.

Mounting: Flush/surface mounting or ceiling/wall mounting.

Construction: Acrylic plastic housing.

Finish: Dark (charcoal color) or light (RAL color).

Dimensions: see Figure below.

Weight: 0.3 kg (0.7 lb).

Environmental

Operating Temperature: -10°C to +50°C (+14°F to +122°F).

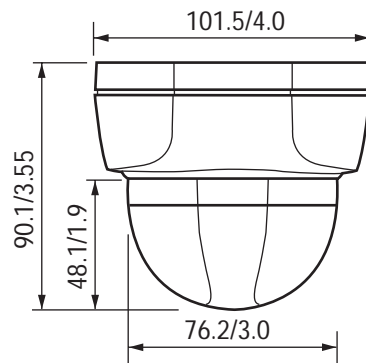
Humidity: <80% relative humidity.

Electromagnetic Compatibility

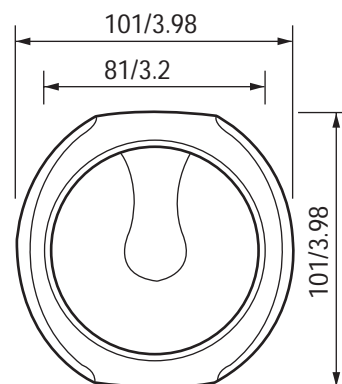
EMC Requirements:

CCIR/PAL versions:
Emission: EN55022.
Immunity: EN50082-1
EIA/NTSC versions:
FCC Part 15, Class B.

Safety: CE



Front view



mm/inch

Top view



PHILIPS

Let's make things better.