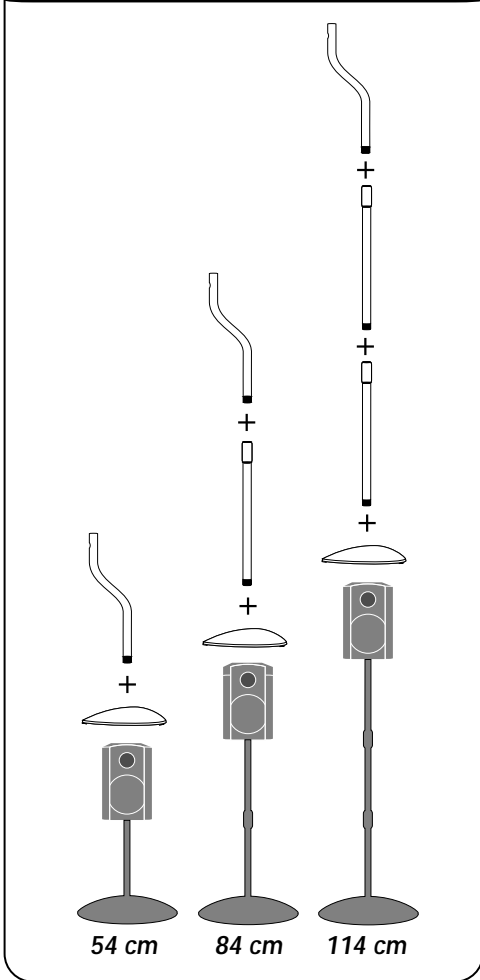
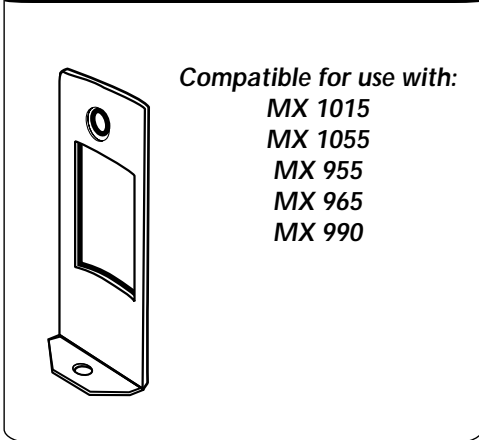




3 Height Configurations

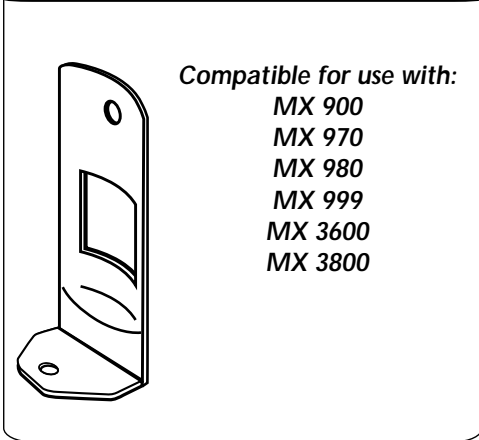


Speaker bracket 1



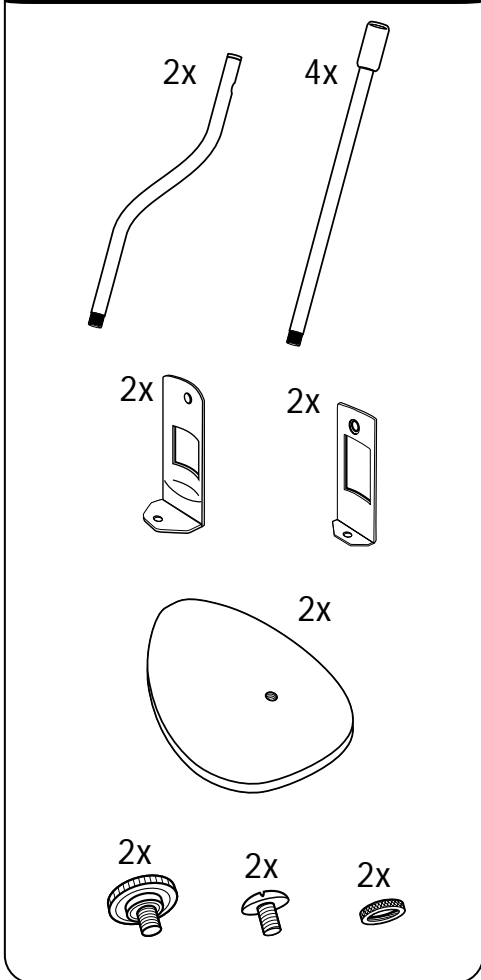
Compatible for use with:
 MX 1015
 MX 1055
 MX 955
 MX 965
 MX 990

Speaker bracket 2



Compatible for use with:
 MX 900
 MX 970
 MX 980
 MX 999
 MX 3600
 MX 3800

Provided Accessories



2 satellite speaker stands



- Speaker Stands**
- Adjustable height : 21.2" (54cm) , 33" (84cm), 44.9" (114cm)
 - Weight (complete) : 4.62 lbs (per piece)

UPC Code : 0 37849 92476 1 (single pack)
 UPC Code : 0 37849 92476 8 (master pack)

Package Dimension: 14.3" W x 3.2" H x 10.4" D
 Total package weight: 12.1 lbs

Carton contains: 2 x satellite speaker stands

Printed in Singapore
 Date printed : Mar 2002
 ©2002 Royal Philips Electronics N.V.
 All rights reserved.

<http://www.philipsusa.com>

Let's make things better.



PHILIPS