

# user manual

manuel d'utilisation  
gebruikershandleiding  
användar-handbok

benutzerhandbuch  
manuale per l'utente

manual del usuario  
manual do usuário

wearable digital audio player



**PHILIPS**

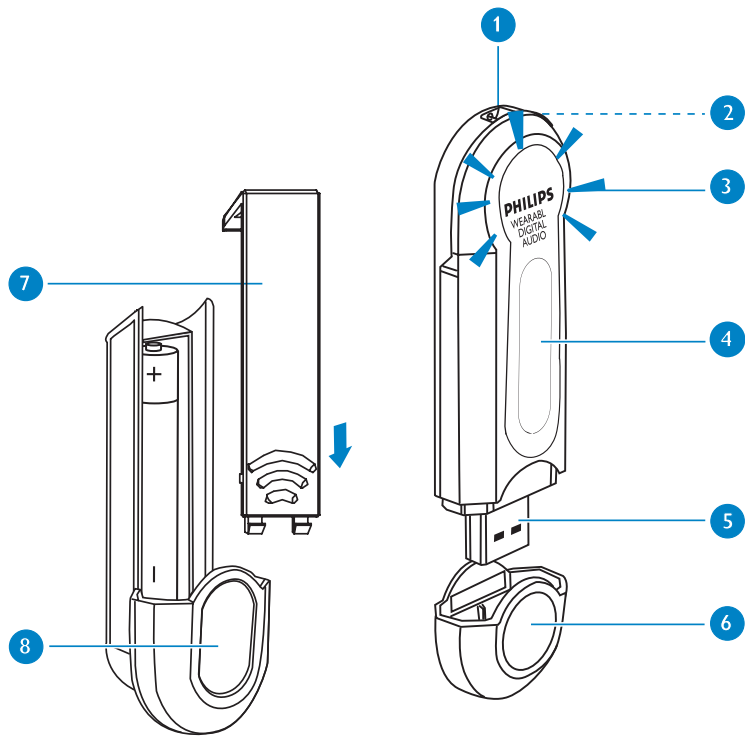
# We hope you enjoy your wearable digital audio player

Please visit [www.philips.com/support](http://www.philips.com/support)  
and enter your product name to view:

- FAQ, Frequently Asked Questions
- Latest user manuals
- Latest PC software downloads

*The model and production numbers can be found next to the USB port.  
(Please remove the USB cover to see)*

English	1
Français	17
Deutsch	33
Español	49
Nederlands	65
Italiano	81
Português	97
Svenska	113



## Name of parts

- 1 **Strap hole:** attaches supplied neck strap
- 2 **Headphone socket:** connects headphones / remote control connector
- 3 **LED:** blinks slowly during charging; blinks quickly during file transfer
- 4 **LCD display:** dynamically displays track and artist information, player information and file transfer status
- 5 **USB port:** connects to computer / battery pack
- 6 **USB cover:** protects USB port
- 7 **Battery door:** open to install 1 AAA battery
- 8 **Battery pack:** provides back-up power

*Batteries contain chemical substances, so they should be disposed of properly.*



## Remote control

- 1 Headphones connector
- 2 Volume up + : for increasing volume  
Volume down - : for decreasing volume
- 3 Skip / Super Skip ►► : for forward scrolling and browsing  
Back / Super Back ◀◀ : for backward scrolling and browsing
- 4 Power ►|| : Power on / off and Play / Pause
- 5 Remote Control connector

## Connecting your remote control

- 1 Thread the neck strap through the hole.
- 2 Insert the remote control connector to your player.
- 3 Insert the headphone connector to the headphone socket.

# Preparations

## Installing software

Please insert the by-packed CD into your CDROM drive and follow on screen instructions to complete driver and software installation.

## Powering your player

Your player has a built-in USB rechargeable battery. To charge your player, switch on your computer. Detach the USB cover. Connect your player directly to your computer's USB port. Charge your player until the **LED** lights up and stops blinking (approximately 4.5 hours). Keep your computer switched on during charging.



## ATTENTION!

### WINDOWS 98SE users:

DO NOT CONNECT your player to the PC **BEFORE** driver installation.

### MAC users:

DO NOT CONNECT your player to your keyboard's USB port. It doesn't have sufficient power to detect your player.



## TIP

- You can also use the supplied battery module to provide instant power to your player. When your player is charged and the battery module is in use, your player will first use up the power from the external battery.
- You can organize your music on your computer while your player is charging. (See page 9 for more information)

## USB Connection

Your player will appear as a new USB mass storage in **Windows Explorer** on PC or **Finder** on Mac when USB connected. You can use your player as a mass storage device for any data files.

### Transferring files and music tracks

Click and highlight one or more files or music tracks to transfer between your player and your computer. Use drag and drop actions to complete your transfer. The green LED on your player blinks during file transfer.

**PC users:** Disconnect player safely from your PC by clicking  on the task bar to avoid file error.

**WINDOWS 98SE users:** There is no  icon. Simply disconnect player after file transfer completes.)

**MAC users:** Drag and drop your player into **Trash** before disconnecting.

### About upgrades

For best interaction between your player and your computer, check [www.philips.com/support](http://www.philips.com/support) for the latest upgrades available. (See page 11 for more information)

### Formatting your player

**PC users:** Only format your player with FAT file system.

**MAC users:** Only format your player with the supplied format application.

### IMPORTANT! KEEP A COPY OF YOUR ORIGINAL FILES!

Please keep a copy of the original files transferred to your player. Philips is not responsible for any loss of content if the product becomes damaged or not readable.



# Player controls and LCD display

## Basic Operation

## Control to press

Switch on / off

Press and hold  for 2 seconds



Play music

Press 



Pause music

Press  during playback


Change volume

Press  to increase or  to decrease

Go to next or previous track

Press  for next and  for previous

Superskip

Press and hold  to skip forward or  to skip backward

## Your player has an intuitive display to show various information



Internal battery level



Battery low



External battery in use



Volume control



Folder number



Track number



Music playing



Music paused



Skipping backward



Skipping forward



### TIP

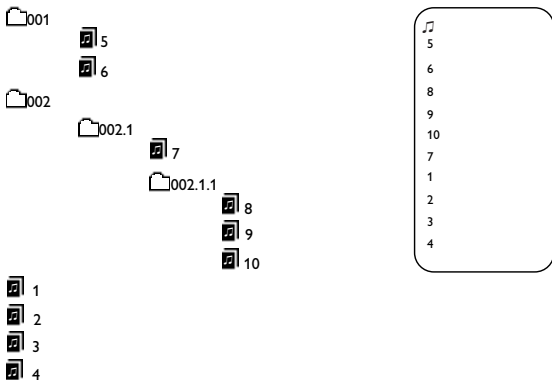
- Your player can display music information in Roman-alphabetic languages, Simplified Chinese, Traditional Chinese, Japanese and Korean. You can change the setting via the **Firmware Manager** application supplied in your by-packed CD.

Away with him - 2Fun

003 003 04:15

## Customizing playback order

Your player can play music files according to how you arrange them in folders, as shown in the following diagram:



### TIP

- Your player can support up to 3 layers of sub-folders.
- Music files inside folders will play before those in the root directory.
- You can also use **MUSICMATCH** (supplied in the by-packed CD) for music transfer and music ripping. Please visit [www.musicmatch.com](http://www.musicmatch.com) for more information.

## Setting display language

Your player can display music information in Roman-alphabetic languages, Simplified Chinese, Traditional Chinese, Japanese and Korean. You can change the setting via the **Firmware Manager** application supplied in your by-packed CD.

- 1 Please insert the by-packed CD into your CDROM drive and follow on screen instructions to complete driver and software installation.
- 2 Connect your player to your computer. Back up all the files / music on your player. **Your player will be formatted before the upgrade.**
- 3 **PC Users:** Launch **Firmware Manager** from **Start** / Desktop shortcut.  
**MAC Users:** Launch Firmware Manager from its application folder / Desktop shortcut.
- 4 Select your preferred language from Firmware Manager.  
Follow on screen instructions to complete language setting.

### IMPORTANT! KEEP A COPY OF YOUR ORIGINAL FILES!

Please keep a copy of the original files transferred to your player. Philips is not responsible for any loss of content if the product becomes damaged or not readable.



#### TIP

For the best interaction between your player and your computer, check [www.philips.com/support](http://www.philips.com/support) for the latest upgrades available. Save the upgrade file in the folder where **Firmware Manager** is installed. Unzip before you install the upgrade.

## Upgrade firmware

For the best interaction between your player and your computer, check [www.philips.com/support](http://www.philips.com/support) for the latest upgrades available. Save the upgrade file in the folder where **Firmware Manager** is installed. Unzip before you install the upgrade.

- 1 Connect your player to your computer. Back up all the files / music on your player. **Your player will be formatted before the upgrade.**
- 2 PC Users: Launch **Firmware Manager** from **Start** / Desktop shortcut.  
MAC Users: Launch Firmware Manager from its application folder / Desktop shortcut.
- 3 If the firmware version available is newer than that of your player, click **Continue** to start the firmware installation process.

## Restore firmware

If your player does not react to any key-press, do the following:

- 1 PC Users: Launch **Firmware Manager** from **Start** / Desktop shortcut.  
MAC Users: Launch Firmware Manager from its application folder / Desktop shortcut.
- 2 Press and hold ►|| and connect your player directly to your computer's USB port. Do NOT release ►|| until you are prompted to do so.
- 3 Firmware restore is complete when you see the main screen of Firmware Manager. You can perform language selection and / or upgrades as described above.

# Troubleshooting

If a fault occurs, first check the points listed. For further help and other troubleshooting tips, please also check out FAQ for your player at [www.philips.com/support](http://www.philips.com/support). If you are unable to find a solution from these hints, consult your dealer or service center.

## WARNING:

Under no circumstances should you try to repair the set yourself, as this will invalidate the warranty.

Problem	Cause	Solution
Cannot hear music	Battery drained	Charge the battery (see <i>step 1, page 2</i> )
	Auto power off	Your player automatically powers off 60 seconds after music is paused and no keys are pressed. Press and hold ►   to power ON again.
Auto power off	Loose connection	Check headphones / remote control connection
No player response	Firmware corrupted	Restore firmware (see <i>page 11</i> )
USB doesn't work	Loose connection	Check connection
	Wrong OS version	Your operation system must be Windows 98SE or Mac OS 9.2.2 or 10.2.6 or later
	USB driver not installed	<b>Windows 98SE user only:</b> install the USB driver provided in by-packed CD
	Player connected to Mac keyboard	Connect your player to another USB port
Cannot play track	Track format not supported	Your player is not able to play secure WMA or AAC encrypted songs bought from the Internet.

## Safety and maintenance

- **Child safety:** The remote control neckstrap is not a toy. Special care should be taken if handled by young children. Avoid placing the neckstrap around the neck of a child to prevent strangulation!

### Take care when using headphones

- **Hearing safety:** Listen at a moderate volume. Using headphones at high volume can impair your hearing.
- **Traffic safety:** Do not use while driving or cycling as you may cause an accident.

### CAUTION!

#### To avoid damage or malfunction:

- Do not twist or bend the remote control neckstrap as this is a precision electronic accessory.
- Do not expose to excessive heat caused by heating equipment or direct sunlight.
- Do not drop your player or allow objects to fall on it. Strong shocks and vibrations may cause malfunction.
- This product is not waterproof: do not allow your player or remote control neck strap to be submersed in water; and avoid exposing the USB socket to water. Water entering the player may cause major damage.
- Do not use any cleaning agents containing alcohol, ammonia, benzene, or abrasives as these may harm the player and neck strap. To clean, use a soft damp cloth.
- Active mobile phones & strong magnetic fields in the vicinity may cause interference.
- The supplied software CD-ROM is not an audio CD. Playing CD-ROMs on audio equipment may damage your audio equipment!

## Environmental information

We have reduced the packaging to its minimum and made it easy to separate into mono materials: cardboard, PS, PE.

Your set consists of material which can be recycled if disassembled by a specialized company. Please observe the local regulations to dispose of packaging, exhausted batteries and old equipment.

## Copyright information

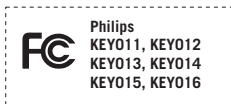
All other brand and product names are trademarks of their respective companies or organizations.

Unauthorized duplication of any recordings downloaded from the internet or made from audio CDs is a violation of copyright laws and international treaties.

## Modifications

Modifications not authorized by the manufacturer may void users authority to operate this device.

## Notice for the USA



This equipment has been tested and found to comply with the limits for a **Class B** digital device, pursuant to **part 15** of the **FCC Rules**. These limits are designed to provide reasonable protection against harmful interference in a residential installation. This equipment generates, uses, and can radiate radio frequency energy and, if not installed and used in accordance with the instruction manual, may cause harmful interference to radio communications. However, there is no guarantee that interference will not occur in a particular installation.

If this equipment does cause harmful interference to radio or television reception, which can be determined by turning the equipment off and on, the user is encouraged to try to correct the interference by one or more of the following measures:

- Relocate the receiving antenna.
- Increase the separation between the equipment and receiver.
- Connect the equipment into an outlet on a circuit different from that to which the receiver is connected.
- Consult the dealer or an experienced radio/ TV technician for help.

## Notice for Canada

This Class B digital apparatus complies with Canadian ICES-003.



## Technical data

<b>Built-in memory capacity</b>	128MB* (key011 and key012) 256MB* (key013 and key014) 512MB* (key015 and key016) * Actual formatted capacity will be less
<b>LCD display</b>	Blue backlight EL, 128 x 32 dot matrix
<b>LED indicator</b>	Green
<b>Built-in battery</b>	Rechargeable 210mAh Li-polymer (via USB), fully charged in approximately 4.5 hours
<b>Battery playtime</b>	6 hours using built-in rechargeable battery 7 hours using 1 x AAA alkaline battery
<b>PC interface</b>	USB 1.1
<b>Audio playback</b>	MP3 8 - 320kbps WMA 5 - 160kbps
<b>Support ID3 Tag</b>	Yes
<b>Casing material</b>	Magnesium body, plastic USB cover
<b>Dimensions</b>	88 x 27.2 x 16.1 mm (3.46 x 1.07 x 0.63 inch)
<b>Weight</b>	31 g

PHILIPS reserves the right to make design and specification changes for product improvement without prior notice.

All rights reserved.

All trademarks are the property of their respective owners.

System requirements:

Système requise:

Systemanforderungen:

Requisitos sistema:

Systemvereisten:

Requisiti del sistema:

Requisitos do sistema:

System krav:

- Windows 98SE / 2000 / ME / XP
- Mac OS 9.2.2 and 10.2.6

*This set complies with the radio interference requirements of the European Union.*

*Cet appareil est conforme aux normes de la Communauté européenne en matière d'interférences radio.*

*Dieses Gerät entspricht den Funkstörungs Vorschriften der Europäischen Gemeinschaft.*

*Este reproductor cumple las normas para interferencias de radio establecidas por la Comunidad Europea.*

*Dit apparaat voldoet aan de radio-ontstoringseisen van de Europese Unie.*

*Questo prodotto è conforme ai requisiti sulle interferenze radio dell'Unione Europea.*

*Este aparelho está de acordo com os requisitos da Comunidade Europeia relativos à interferência de rádio.*

*Denna apparat uppfyller EU:s krav beträffande radiostörningar.*

© Koninklijke Philips Electronics N.V. 2004

All rights reserved.

[www.philips.com](http://www.philips.com)

Printed in China

