

SP 055



PHILIPS

General Information

Safety Instructions

Please read carefully the Safety Mark on the left side



This mark is intended to alert the users from the non isolated dangerous voltage within the product that may be of sufficient magnitude to constitute a risk of electronic shock to persons



This mark is intended to alert the user for important operating and servicing instruction

Warnings

- * Avoid sustained periods on high-volume use, and do not turn the volume to maximum level while using high output signal, such as VCD or DVD, etc., as this will cause distortion and may damage the loudspeaker cones.
- * Please unplug the system from the AC outlet when unused for a long time
- * Do not open the cover or back panel to avoid electronic shock or any other accidents. No user-serviceable parts are inside.
- * Only for indoor use.
- * Plug the system to the AC outlet with the right voltage marked on the back panel of the multi media amplifier.
- * The back plate of the amplifier becomes hot when playing at high volume levels. Avoid touching the back plate.

Care and safety information

Avoid high temperatures, moisture, water and dust

- Apparatus should not be exposed to dripping or splashing of liquid.
- Do not place any sources of danger on the apparatus (e.g. liquid filled objects, lighted candles).
- Do not install near heat sources.

Do not block any ventilation openings

- Place the apparatus in a location with adequate ventilation to prevent internal heat build up. Allow at least 100cm (4 inches) of free space all around the apparatus for adequate ventilation.
- At high volume the back plate becomes hot. Do not touch it.

Finding a suitable location

- Place the Subwoofer with built-in Multimedia Amplifier on a flat, hard, stable surface.
- Do not position the Multimedia Amplifier on top of other equipment that might heat it up (e.g. DVD player).
- Do not place heavy objects on the product.

Care of the cabinet

- Use a soft cloth slightly moistened with a mild detergent solution to clean the cabinet. Do not use a solution containing alcohol, spirits, ammonia or abrasives.

Step 1: Set up the speakers

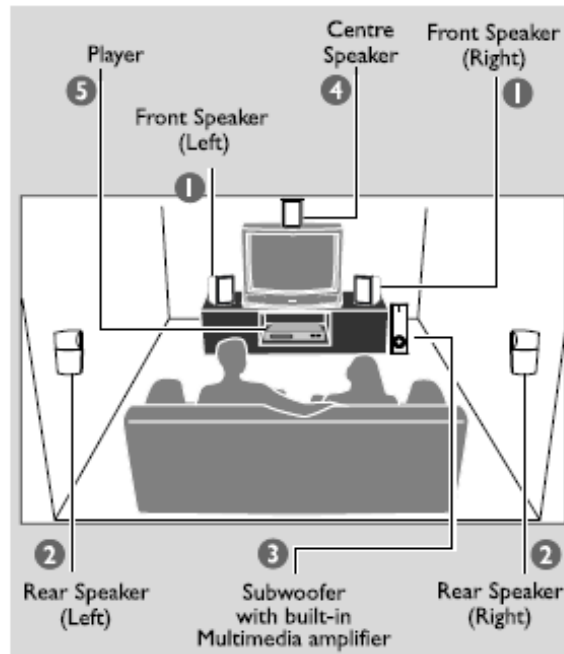


You can choose to hang the speakers on the wall with the provision given behind the speaker. Fix a screw (not supplied) on the wall where the speaker is to be hung and hook the speaker securely onto the mounted screw.

System Positioning :

- * The Center speaker of the system is magnetically shielded which could be positioned close to your PC monitor or TV.
- * The Front and Rear Speakers as well as the Subwoofer are not magnetically shielded. Do not place them closer to the PC monitor or TV.
- * The subwoofer is recommended to be put on the floor to get a better acoustic effect and at least 2 meter away from the monitor or TV to avoid magnetic interference.

Step 2: Placing the speakers and subwoofer



For best possible surround sound, all the speakers (except subwoofer) should be placed at the same distance from the listening position.

Place the front left and right speakers at equal distances from the TV and at an angle of approximately 45 degrees (horizontal) from the listening position.

Place the centre speaker above the TV so that the centre channel's sound is localised.

Place the rear speakers at normal listening ear level facing each other or mounted on the wall.

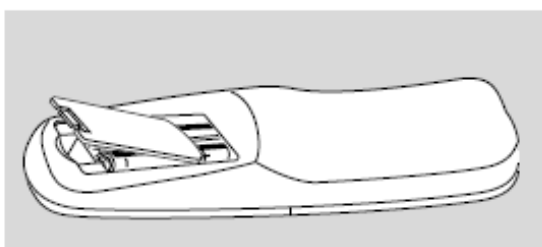
Place the subwoofer on the floor near the TV.

Helpful Hints:

- To avoid magnetic interference, do not position the front speakers, subwoofer and rear speakers too close to your TV.

Getting Started

Step 1: Inserting batteries into the remote control



Open the battery compartment. Insert two batteries of type AAA, following the indications (+,-) inside the compartment. Close the cover.

CAUTION!

- Remove batteries if they are exhausted or if the remote is not to be used for a long time.
- Do not use old and new or different types of batteries in combination.
- Batteries contain chemical substances, so they should be disposed off properly.

Supplied accessories

2RCA to 2RCA
(03 nos.)



Remote control

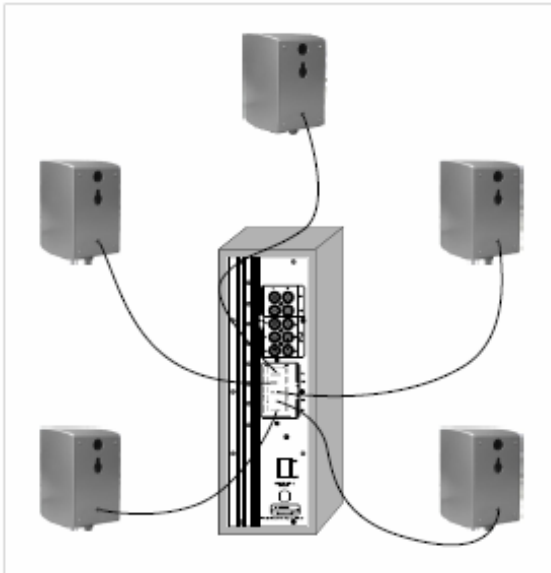
Step 2: Operation sequence

1. Put the power switch into "ON" position. The blue LED at the center of the front panel shall glow indicating standby mode.
2. Press the any key on the remote control to switch the set to active mode.
3. Change the input mode of the amplifier using the INPUT SELECT key. Every press of the key will change the input mode in the following sequence : DVD, CD, TV, AUX.
4. Adjust the volume level using the Volume (up / down) keys on the remote control. There are total 30 steps provided for volume variation. Every step shall result in a blink of the green LED corresponding to the input channel selected.
5. Adjust the equalizers for individual channels provided as per your listening taste. Every individual channel equalizer has 10 steps (-05 to +05). Every step corresponds to a blink of the green LED for respective channel.
6. Press RESET key on the remote control to put the system in reset mode. The volume level shall be adjusted to 15 and all the channels equalizers to 00. These levels are not displayed.

Step 3: Switching to standby mode

Press **STANDBY** button on remote control
The system will go into standby mode. The blue LED on the front panel shall glow.

Step 3: Connecting speakers and subwoofer



Connect the supplied speaker system by matching label on the speaker-wires with the output sockets of the amplifier.

Step 5: Connecting to the mains

After completing all connections properly, plug the AC power cord into the mains socket.

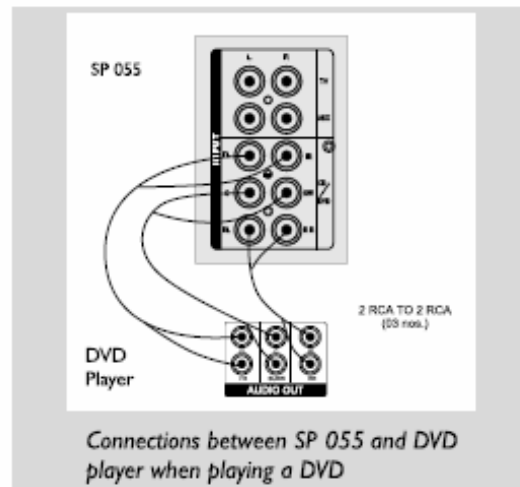
Never make or change any connections with the power switched on.

Helpful Hint:

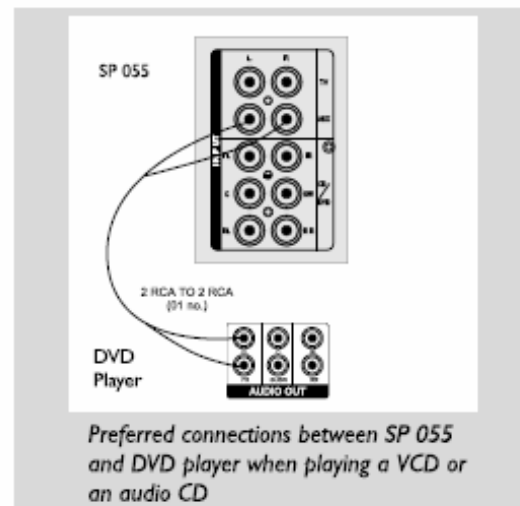
- Refer to the back plate on the rear of the subwoofer for identification and supply ratings.
- Ensure that the speaker cables are correctly connected. Improper connections may damage the system due to short-circuit.
- Do not connect more than one speaker to any one pair of +/- clips
- Do not connect speakers with an impedance lower than the speakers supplied. Please refer to the SPECIFICATIONS section of this manual.

Step 4: Instructions for system connection

1. Connect the Front Left/Right, Center, Surround Left/Right speaker cables to the appropriate Audio Output Sockets of the amplifier on the back of the Subwoofer
2. Connect one end of the 2RCA-to-2RCA cords provided to the amplifier input sockets on the back side of the subwoofer enclosure. Connect the other end to the corresponding output sockets on the back side of the DVD player.
3. Make sure all the cables are connected correctly.
4. Make the power plug connection to the correct AC outlet

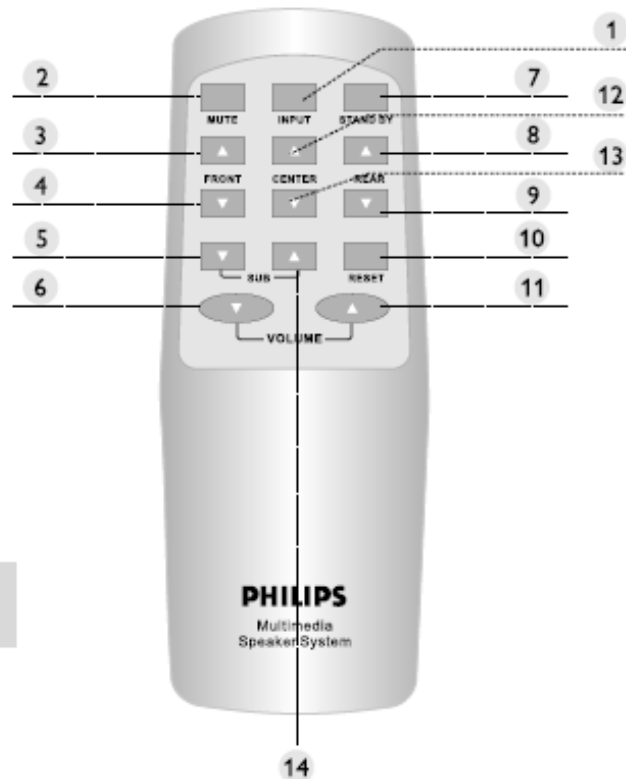


Connections between SP 055 and DVD player when playing a DVD



Preferred connections between SP 055 and DVD player when playing a VCD or an audio CD

Remote Control



Control buttons available on the remote

- 1. INPUT:**
To select between the input sources i.e. DVD / CD / TV / AUX.
- 2. MUTE:**
To put the set in Mute Mode. The settings (individual channel levels and volume level) will remain unchanged. The output will be zero (no sound). The MUTE LED on the front panel will keep blinking.
- 3. FRONT UP:**
To increase the output level of Front Speakers.
- 4. FRONT DOWN:**
To decrease the output levels of Front Speakers.
- 5. SUBWOOFER DOWN :**
To decrease the output level of Subwoofer;
- 6. VOLUME DOWN:**
To decrease the overall Volume of the system.
- 7. STANDBY:**
To put the set in Standby mode. The system goes in reset mode (channel levels at "00" and volume at "15"). The STANDBY LED on the front panel will glow.
- 8. REAR UP:**
To increase the output level of Rear Speakers.
- 9. REAR DOWN:**
To decrease the output level of Rear Speakers.
- 10. RESET:**
To reset the system. This will set the levels of individual channels at "00" and volume level at "15".
- 11. VOLUME UP:**
To increase the overall Volume of the system.
- 12. CENTER UP:**
To increase the output level of Center Speaker.
- 13. CENTER DOWN:**
To decrease the output level of Center Speaker.
- 14. SUBWOOFER UP:**
To increase the output level of Subwoofer.

The Volume levels (00 to 30) and the levels for individual channels (-05 to +05) are mentioned for reference only. These are not displayed as digits.

WARNING

Under no circumstances should you try to repair the system yourself, as this will invalidate the warranty. Do not open the system as there is a risk of electric shock. If a fault occurs, first check the points listed below before taking the system for repair.

If you are unable to remedy the problem by following these hints, consult your dealer or Philips for help.

Problem	Solution
No power.	<ul style="list-style-type: none">– Check if the AC power cord is properly inserted into the AC mains socket.
No sound or distorted sound.	<ul style="list-style-type: none">– Adjust the volume.– Check the speaker connections and settings.– Press the correct source button on the DVD remote (TV or AUX, for example) to choose the equipment that you want to hear through the Multimedia System.
There is no sound from the centre rear	<ul style="list-style-type: none">– Select CENTER/ REAR satellite by pressing the channel button and adjust the volume level.– Make sure the centre and rear speakers are connected correctly.– Make sure the source you are playing is recorded or broadcast in surround sound (DTS, Dolby Digital, etc.).
The remote control does not function properly.	<ul style="list-style-type: none">– Reduce the distance between the remote control and the system.– Replace the batteries with new ones.– Point the remote control directly toward the IR sensor (located on front panel of the Subwoofer).– Check that the batteries are loaded correctly.
Low hum or buzz sound.	<ul style="list-style-type: none">– Place the product as far away as possible from electrical devices that may be causing interference.

Specifications

MULTIMEDIA AMPLIFIER (BUILT INTO THE SUBWOOFER ENCLOSURE)

* Power Output:	(subwoofer) 20W RMS (Satellite) 8W x 5 RMS
* Sensitivity Input:	TV — 1175mV AUX— 1560mV 5.1 — 110mV(Subwoofer) 475mV(sensitivity)
* Total harmonic Distortion:	< 0.3% at 1W 1KHz
* Separation:	More than 40dB
* Audio Input Socket:	RCA type (cinch)
* Audio Output Socket:	Speaker connector (cinch)
* Power consumption at rated power:	54W

FRONT SPEAKERS

System:	1 way, vented box system
Impedance:	4 Ohms
Speaker Drivers:	76mm Full Range
Frequency Response:	90Hz - 18KHz
Dimensions (w x h x d):	88mm x 126mm x 98mm
Weight:	0.30 Kg

REAR SPEAKERS

System:	1 way, vented box system
Impedance:	4 Ohms
Speaker Drivers:	76mm Full Range
Frequency Response:	90Hz - 18KHz
Dimensions (w x h x d):	88mm x 126mm x 98mm
Weight:	0.32 Kg

CENTRE SPEAKER

System:	1 way, vented box system
Impedance:	4 Ohms
Speaker Drivers:	76mm Full Range
Frequency Response:	90Hz - 18KHz
Dimensions (w x h x d):	88mm x 126mm x 98mm
Weight:	0.30 Kg

SUBWOOFER (WITH BUILT-IN MULTIMEDIA AMPLIFIER)

System:	Vented Enclosure
Impedance:	8 Ohms
Speaker Drivers:	165mm Woofer
Frequency Response:	40Hz - 5KHz
Dimensions (w x h x d):	101mm x 300mm x 307mm
Weight:	4.71 Kg

Specification subject to change without prior notice.