

PHILIPS

MMS 171FM Multimedia Speaker System With FM tuner



www.philips.com

Characteristic and specification

Characteristic

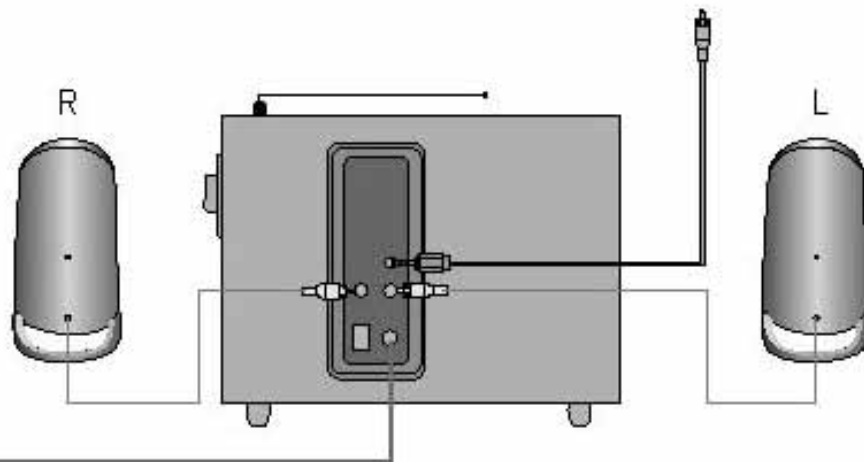
- * Fit for music, games, movies and internet;
- * Good dynamic response;
- * Wooden subwoofer+2 satellite speakers;
- * Deep bass, clean treble;
- * Minimized distortion for high output;
- * Dynamic bass boost;
- * 2.1 channel with FM radio;
- * CD/FM selector switch for external input & FM selection;
- * TUNE & RESET switches for FM stations tuning;

Specification:

- * Total electric power: 26.4W
- * Power output: 5.5W x 2 + 8W RMS (THD 10%)
- * Frequency response: 35Hz-20KHz
- * Input sensitivity: 680mV
- * Harmonic Distortion: 0.3% 1W 1KHz
- * Signal-to-Noise ratio: >65dB
- * Separation: >40dB
- * Driver unit: woofer 5"
satellite speaker 2.5" magnetically shielded
- * Audio input port: 3.5mm stereo jack
- * Audio output port: RCA jack
- * Input: 230V~ 50Hz 125mA
- * Production size: (LXWXH)
Amplifier: 270x170x220 mm
Speaker: 100x88x153 mm
- * packaging size: (LXWXH) 323X268X304 mm

Installation

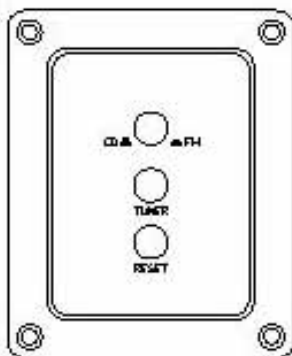
To Sound Source



1. Connect both the satellite speakers to the "Audio Output" socket on the side of the subwoofer enclosure and arrange the speakers suitably.
2. Connect the 3.5mm stereo jack into the "Audio Input" socket on the side of the subwoofer enclosure. Connect the other end of the cable (2RCA) to Audio Output sockets of the sound source.
3. Connect power plug to the power supply outlet.

AC power supply:
230V~50Hz

* Keep the power switched off when connecting power plug.



FM function operation:

1. Press "CD/FM" button to change to FM mode.
2. Press "Tuner" button to tune to a particular FM station. The set will scan the FM frequency band from 88MHz to 108MHz; only in one direction.
3. Press "Reset" button to start the scanning from the beginning of the FM band.

