

Register your product and get support at
www.philips.com/welcome

Immersive

5000 series



Quick start guide

PHILIPS



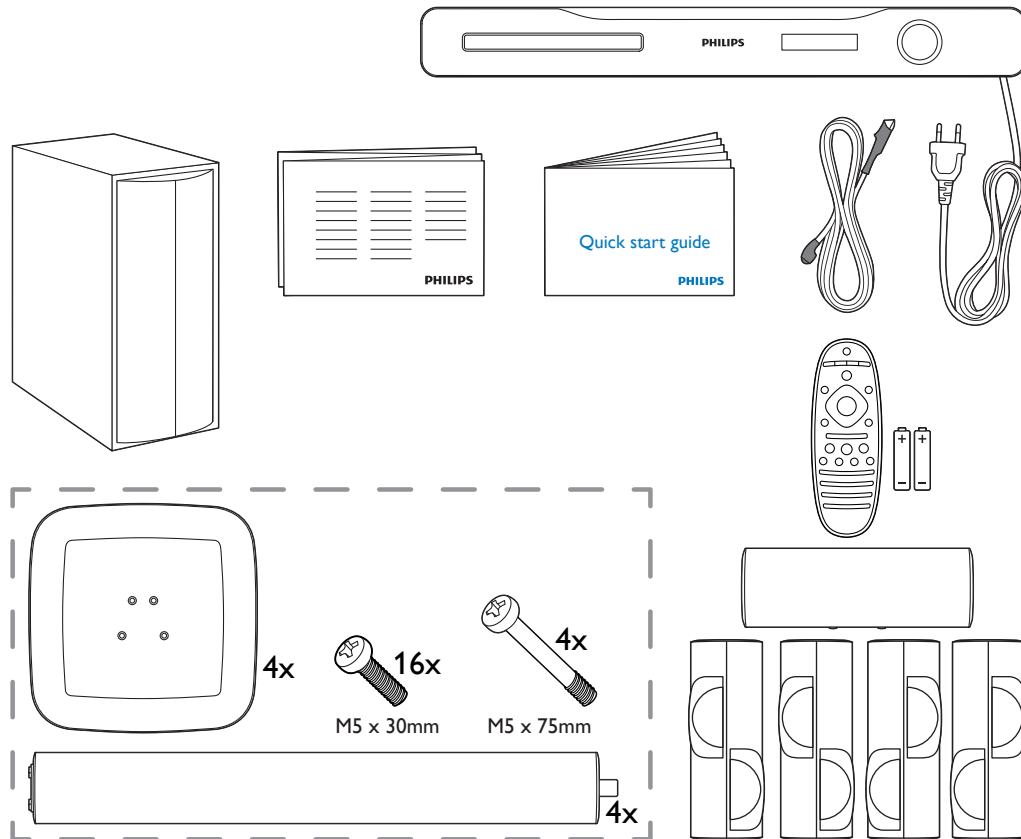
EN Before using your product, read all accompanying safety information

ZH 使用产品前，请阅读所有随附的安全信息



EN What's in the box

zh 包装盒内物品

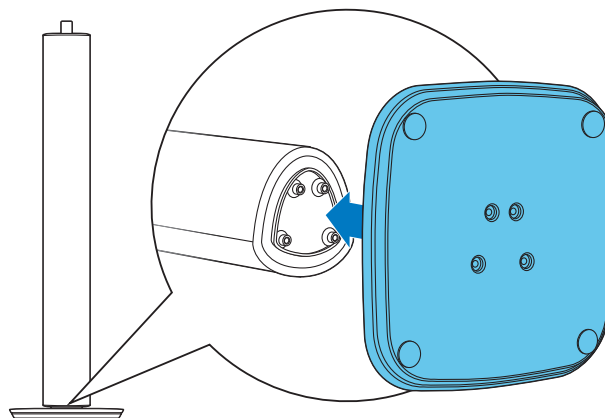




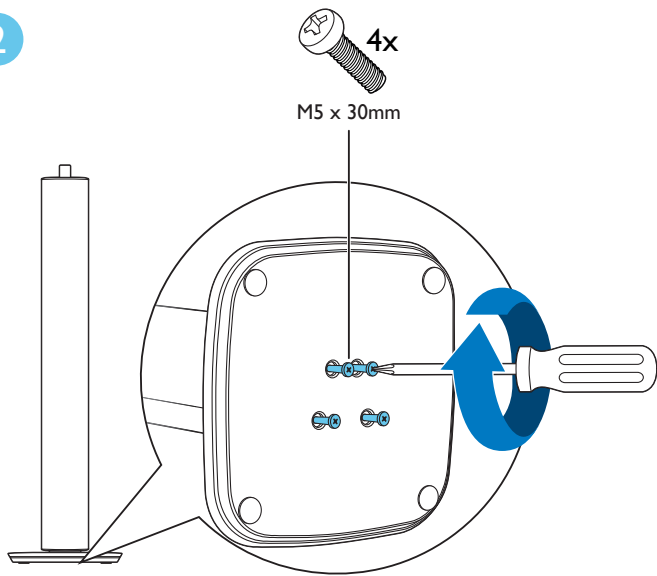
EN Stand mount the speakers

zh 使用扬声器支架

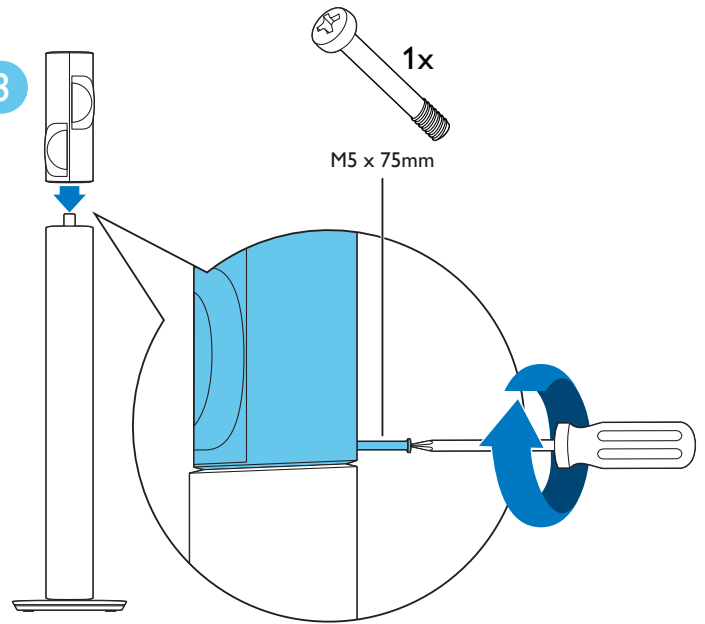
1



2



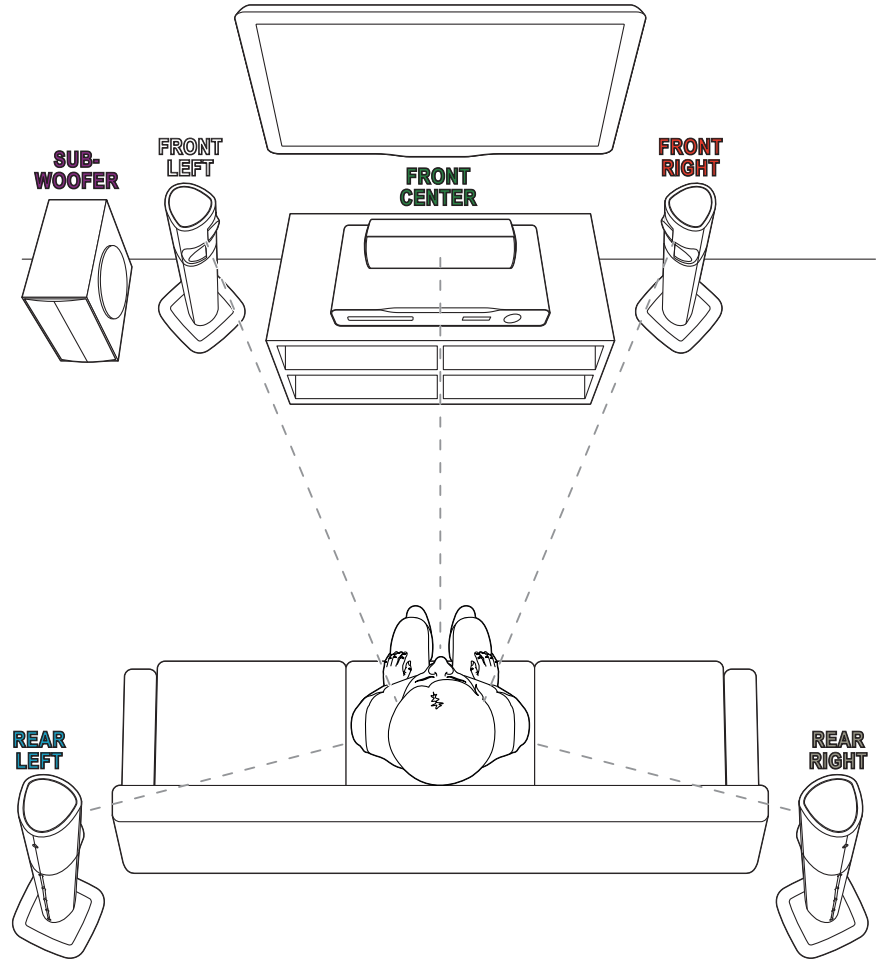
3



2

EN Position the speakers

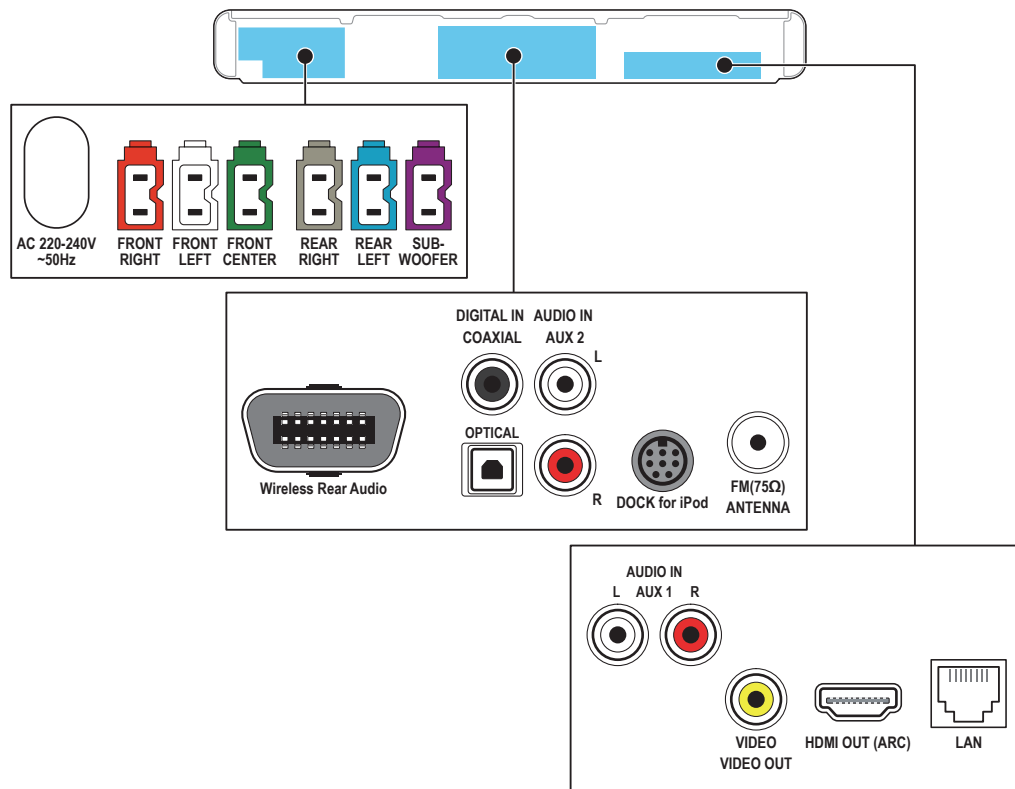
zh 摆放扬声器

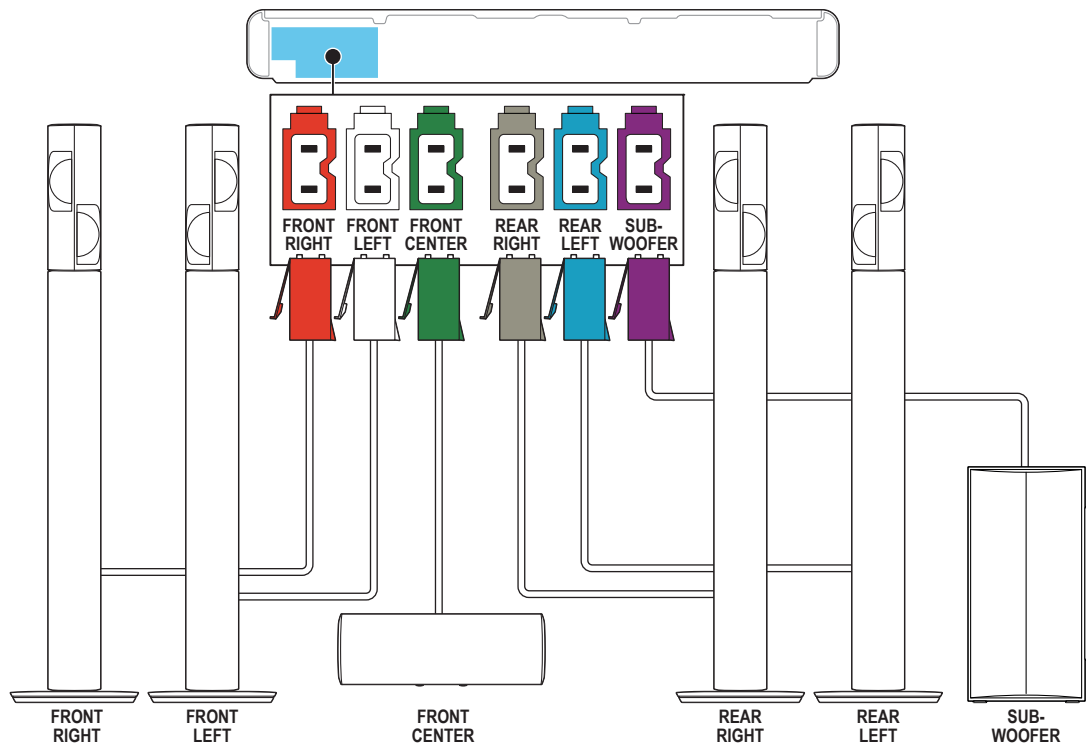


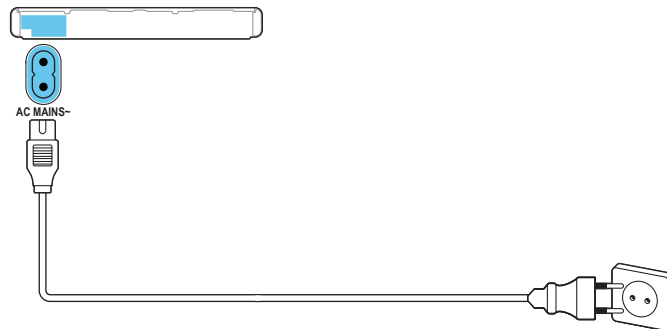
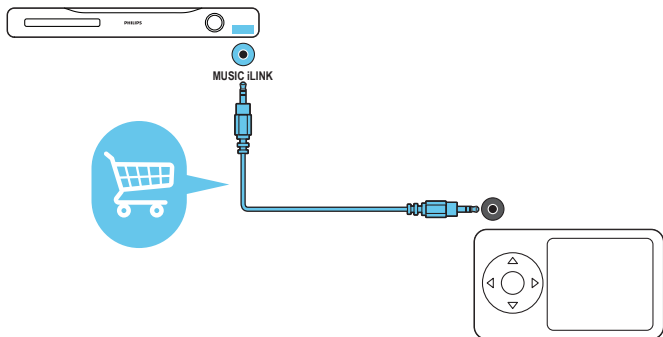
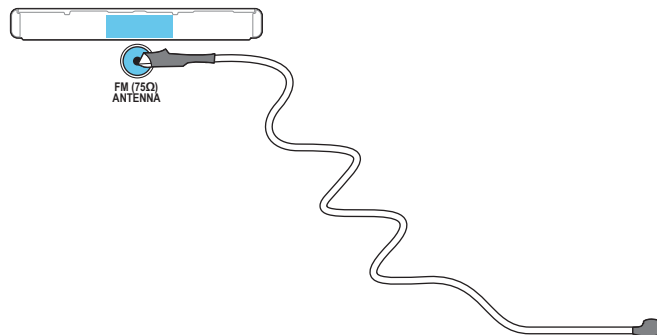
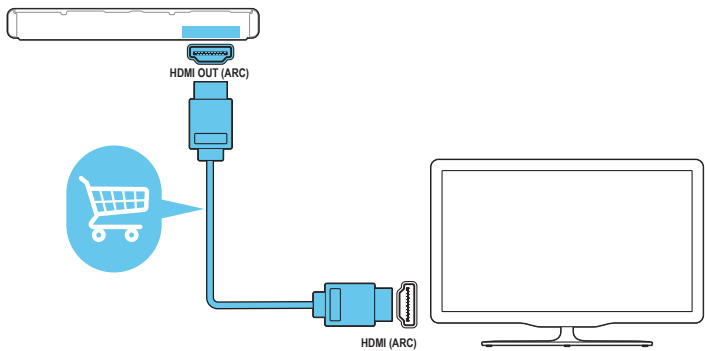
3

EN Connect the home theater

ZH 连接家庭影院





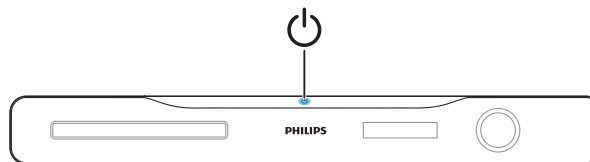


4

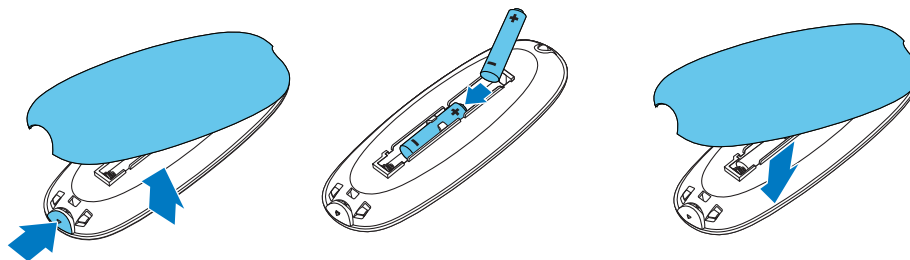
EN Switch on the home theater

ZH 打开家庭影院

1



2

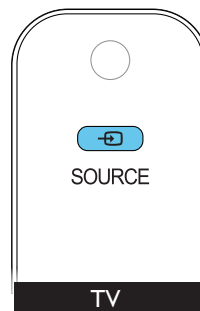
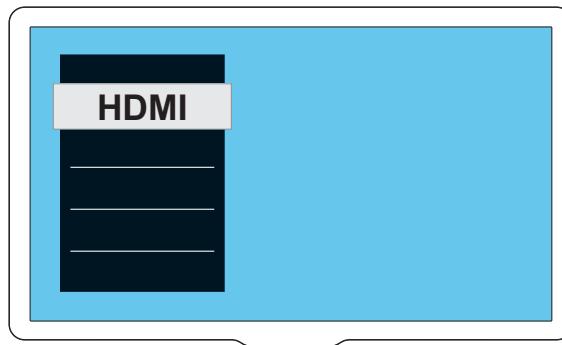




EN Complete the first time setup

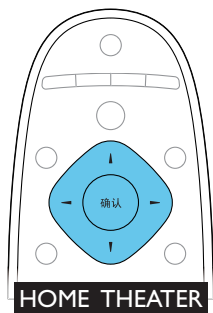
zh 完成首次设置

1





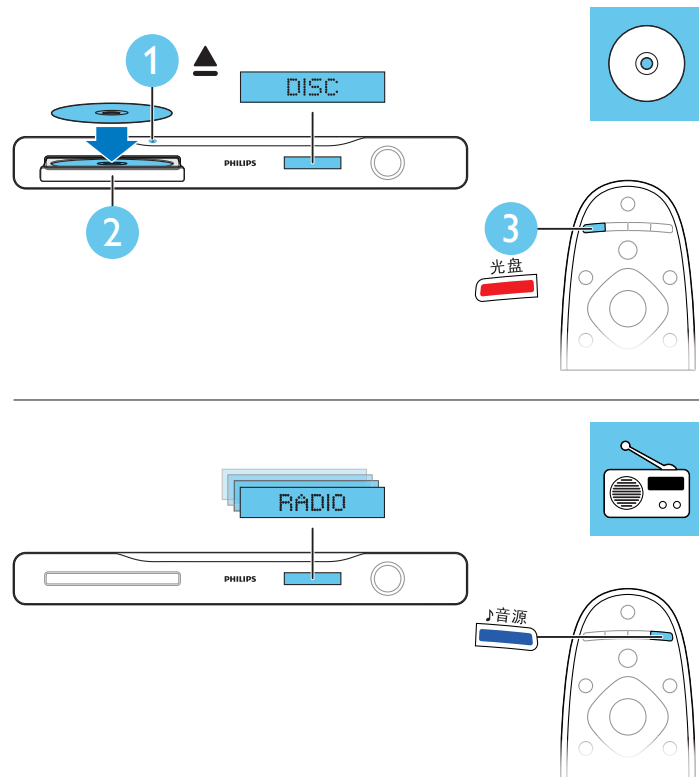
2

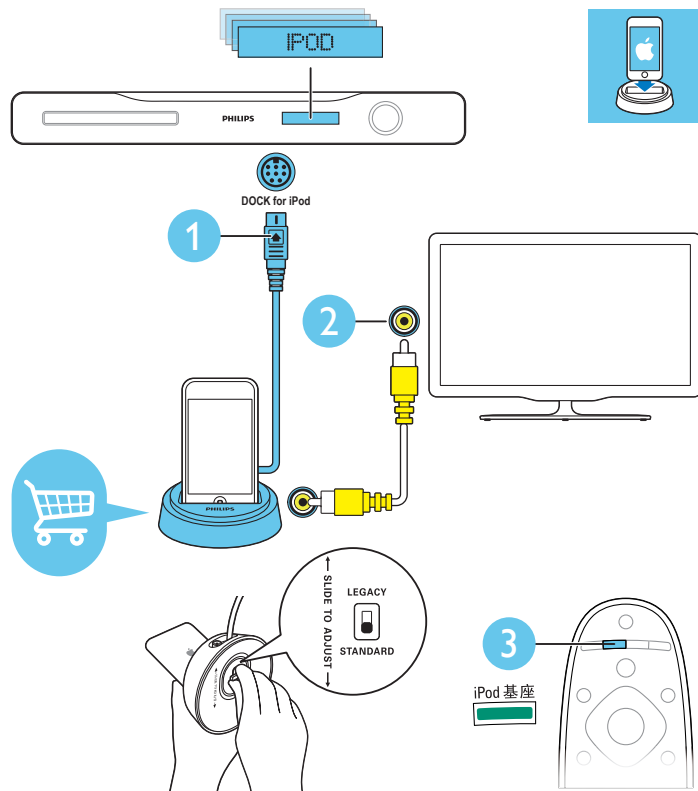
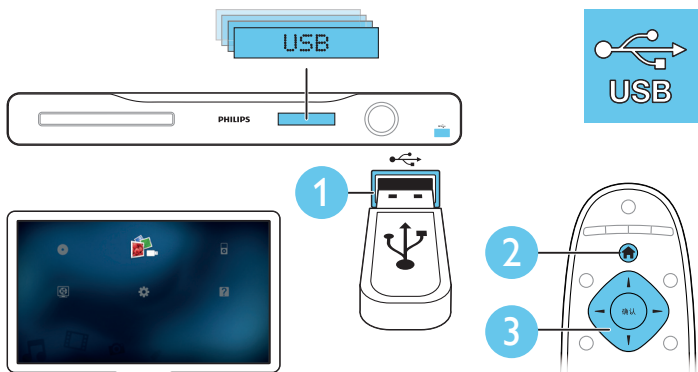
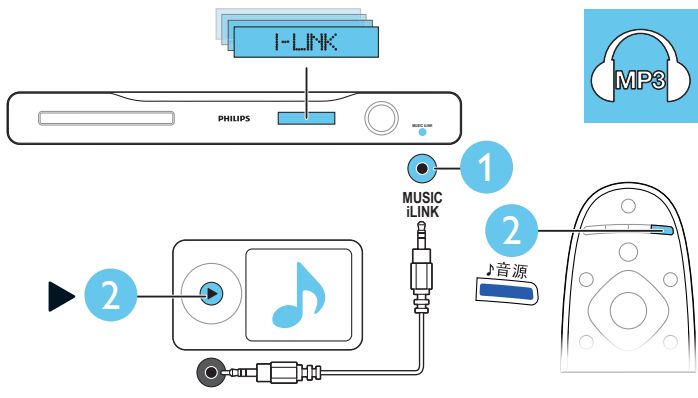


6

EN Use your home theater

zh 使用家庭影院

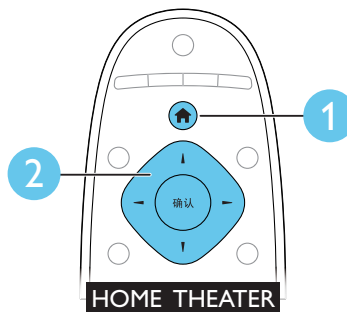






EN Need more information about your product? Search the onscreen help

ZH 需要了解产品的更多信息？请搜索屏幕帮助





EN For sustainability, the user manual is not printed and available in your product as onscreen help. A printable user manual as well as product updates is available from www.philips.com/support.

zh 为实现可持续发展，未随附打印版的用户手册，用户可以从屏幕帮助中进行查看。有关可打印的用户手册以及产品更新，请访问 www.philips.com/support。



www.philips.com/support



Non-contractual images. / Images non contractuelles. / Außervertragliche Bilder.

All registered and unregistered trademarks are property of their respective owners.

Specifications are subject to change without notice.

Trademarks are the property of Koninklijke Philips Electronics N.V. or their respective owners
2011 © Koninklijke Philips Electronics N.V. All rights reserved

www.philips.com
ythy_1036/93_v1

