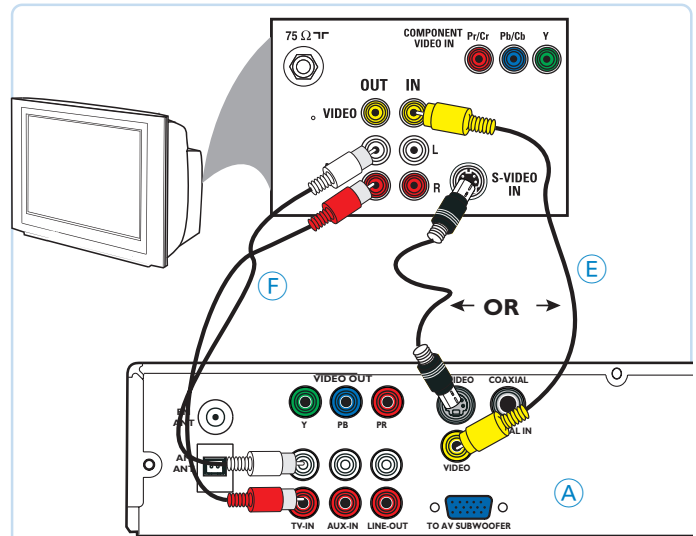


1 what's in the box



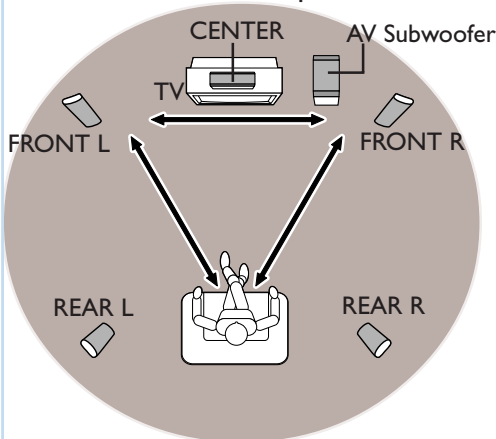
2 connect TV



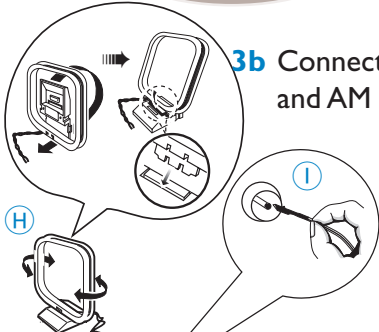
Note: For connecting to a Progressive Scan TV, refer to the user manual for proper connections and detailed set up.

3 connect AV subwoofer, speakers and antennas

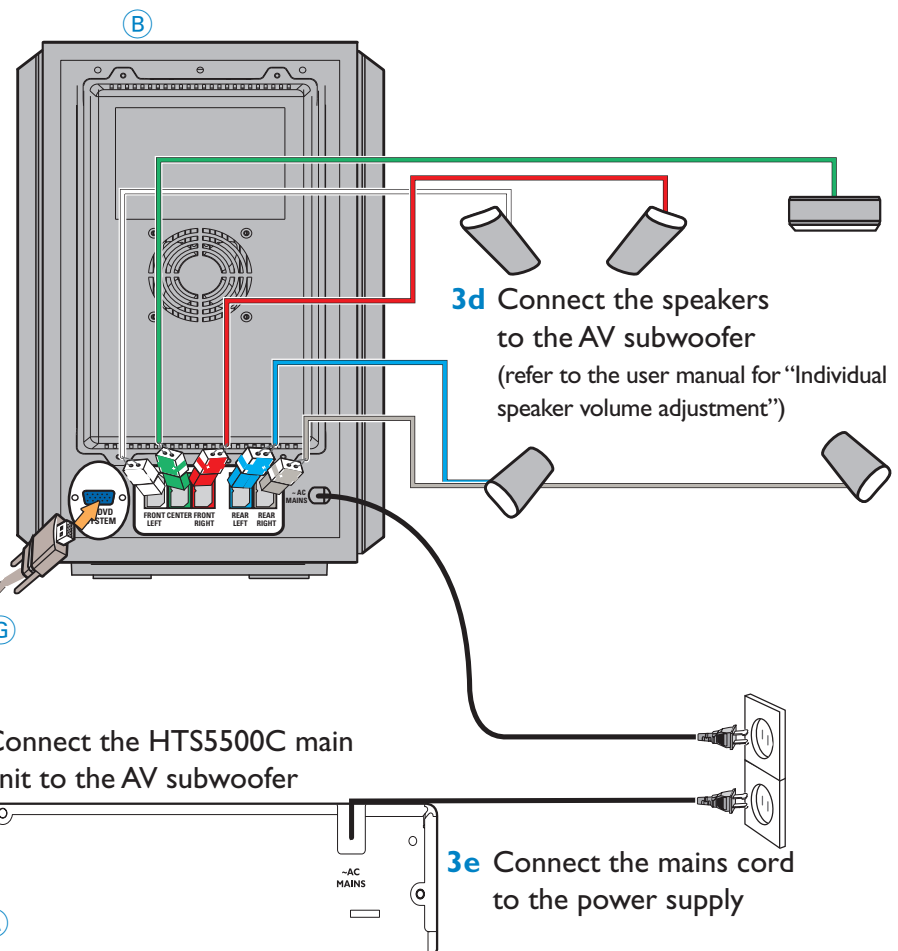
3a Placement of speakers



3b Connect the FM and AM antennas



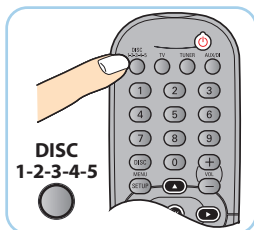
3c Connect the HTS5500C main unit to the AV subwoofer



3d Connect the speakers to the AV subwoofer (refer to the user manual for "Individual speaker volume adjustment")

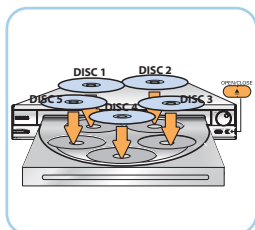
3e Connect the mains cord to the power supply

4 play a disc



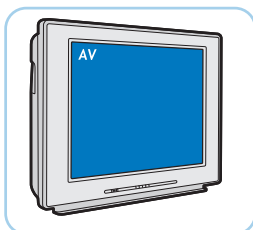
4a Press **DISC**
1-2-3-4-5

Point the remote control towards the DVD system.



4b Load in maximum
5 discs

Press **OPEN CLOSE** to open and close the disc tray.



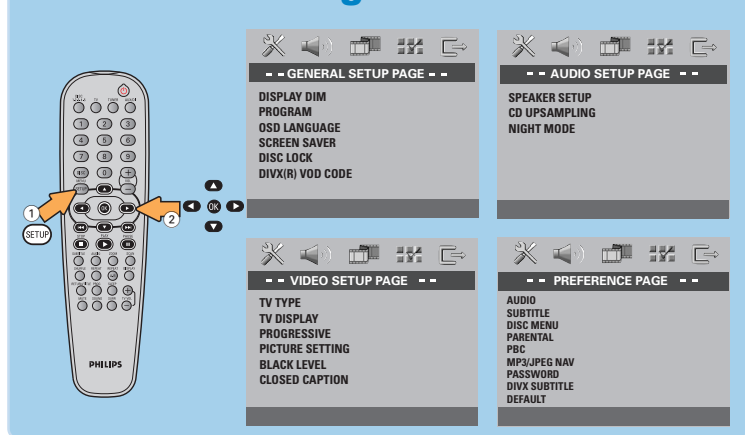
4c Select correct
AV In channel

Switch to the correct input source by using the TV remote control.

GET PICTURE

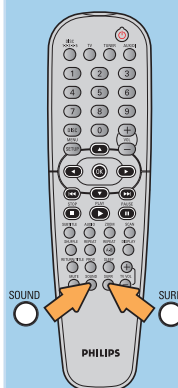
- Check the connection of the DVD system to TV is in place (see 2 Connect TV).
- Check the AV mode on TV. It may be called FRONT, A/V IN, or VIDEO. Choose the different modes using TV remote control.
- Or, use the TV remote control to select Channel 1 on TV, then press Channel down button until you get the picture.
- See your TV manual for more details.

More settings and features



Refer to chapters "Getting Started" and "DVD Setup Menu Options" in the user manual the detailed descriptions.

GET SOUND



No sound from rear speakers?

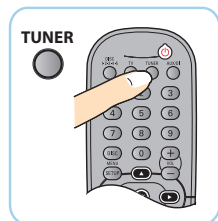
Press **SURR** button to select "Multi-Channel".

To enhance the sound quality

Press **SOUND** button to select a predefined digital sound effect.

Detailed playback features and additional functions are described in the user manual.

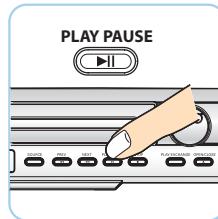
5 programme radio stations



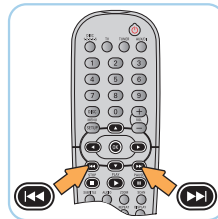
5a Press **TUNER**.

AUTO PRESET PRESS PLAY

Note: This feature is only available for first time setup.

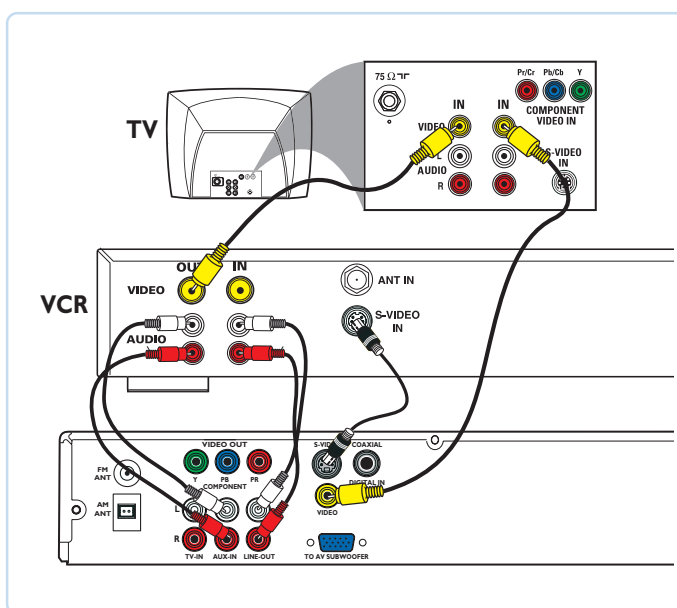


5b Press and hold **▶▶** until "START ..." appears. It will start to programme all available radio stations.



5c Once complete, use **◀◀ / ▶▶** to select a preset radio station.

6 Others - connect to VCR



Be responsible
Respect copyrights

NEEDS HELP? Visit our website www.usasupport.philips.com