

Always there to help you

Register your product and get support at
www.philips.com/support



HTL7140B



User manual

PHILIPS

Contents

1 Important	2
Safety	2
Care for your product	3
Care of the environment	3
Compliance	3
Help and support	3

2 Your product	4
Main unit	4
Remote control	5
Connectors	6
Wireless subwoofer	6

3 Connect	7
Pair up with the subwoofer	7
Placement	7
Connect to TV	7
Connect digital devices through HDMI	8
Connect audio from TV and other devices	8

4 Use your product	9
Adjust the volume	9
Choose your sound	9
Play audio through Bluetooth	10
Connect Bluetooth via NFC	11
MP3 player	11
Auto standby	11
Set display brightness	11
Apply factory settings	11

5 Update software	12
Check software version	12
Update software via USB	12

6 Wall mount	13
---------------------	----

7 Product specifications	13
---------------------------------	----

8 Troubleshooting	14
--------------------------	----

1 Important

Read and understand all instructions before you use your product. If damage is caused by failure to follow instructions, the warranty does not apply.

Safety

Risk of electric shock or fire!

- Before you make or change any connections, make sure that all devices are disconnected from the power outlet.
- Never expose the product and accessories to rain or water. Never place liquid containers, such as vases, near the product. If liquids are spilt on or into the product, disconnect it from the power outlet immediately. Contact Consumer Care to have the product checked before use.
- Never place the product and accessories near naked flames or other heat sources, including direct sunlight.
- Never insert objects into the ventilation slots or other openings on the product.
- Where the mains plug or an appliance coupler is used as the disconnect device, the disconnect device shall remain readily operable.
- Batteries (battery pack or batteries installed) shall not be exposed to excessive heat such as sunshine, fire or the like.
- Disconnect the product from the power outlet before lightning storms.
- When you disconnect the power cord, always pull the plug, never the cable.

Risk of short circuit or fire!

- For identification and supply ratings, see the type plate at the back or bottom of the product.
- Before you connect the product to the power outlet, ensure that the power voltage matches the value printed on the

back or bottom of the product. Never connect the product to the power outlet if the voltage is different.

Risk of injury or damage to this product!

- For wall-mountable products, use only the supplied wall mount bracket. Secure the wall mount to a wall that can support the combined weight of the product and the wall mount. Gibson Innovations bears no responsibility for improper wall mounting that results in accident, injury or damage.
- Never place the product or any objects on power cords or on other electrical equipment.
- If the product is transported in temperatures below 5°C, unpack the product and wait until its temperature matches room temperature before connecting it to the power outlet.
- Parts of this product can be made of glass. Handle with care to avoid injury and damage.

Risk of overheating!

- Never install this product in a confined space. Always leave a space of at least four inches around the product for ventilation. Ensure curtains or other objects never cover the ventilation slots on the product.

Risk of contamination!

- Do not mix batteries (old and new or carbon and alkaline, etc.).
- Danger of explosion if batteries are incorrectly replaced. Replace only with the same or equivalent type.
- Remove batteries if they are exhausted or if the remote control is not to be used for a long time.
- Batteries contain chemical substances, they should be disposed of properly.

Risk of swallowing batteries!

- The product/remote control may contain a coin/button type battery, which can be swallowed. Keep the battery out of reach of children at all times! If swallowed, the battery can cause serious injury or death.

Severe internal burns can occur within two hours of ingestion.

- If you suspect that a battery has been swallowed or placed inside any part of the body, seek immediate medical attention.
- When you change the batteries, always keep all new and used batteries out of reach of children. Ensure that the battery compartment is completely secure after you replace the battery.
- If the battery compartment cannot be completely secured, discontinue use of the product. Keep out of reach of children and contact the manufacturer.



This is CLASS II apparatus with double insulation, and no protective earth provided.

Care for your product

Use only microfiber cloth to clean the product.

Care of the environment

Disposal of your old product and battery



Your product is designed and manufactured with high quality materials and components, which can be recycled and reused.



This symbol on a product means that the product is covered by European Directive 2012/19/EU.



This symbol means that the product contains batteries covered by European Directive 2013/56/EU which cannot be disposed of with normal household waste.

Inform yourself about the local separate collection system for electrical and electronic products and batteries. Follow local rules and never dispose of the product and batteries with normal household waste. Correct disposal of old products and batteries helps prevent negative consequences for the environment and human health.

Removing the disposable batteries

To remove the disposable batteries, see battery installation section.

Compliance

This product complies with the radio interference requirements of the European Community.

Hereby, Gibson Innovations declares that this product is in compliance with the essential requirements and other relevant provisions of Directive 2014/53/EU. You can find the Declaration of Conformity on www.p4c.philips.com.

Help and support

For extensive online support, visit www.philips.com/support to:

- download the user manual and the quick start guide
- watch video tutorials (available only for selected models)
- find answers to frequently answered questions (FAQs)
- email us a question
- chat with our support representative.

Follow the instructions on the website to select your language, and then enter your product model number.

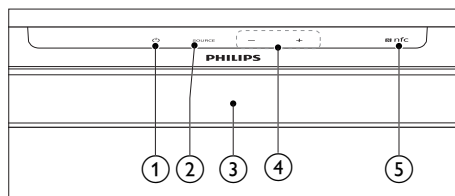
Alternatively, you can contact Consumer Care in your country. Before you contact, note down the model number and serial number of your product. You can find this information on the back or bottom of your product.

2 Your product

Congratulations on your purchase, and welcome to Philips! To fully benefit from the support that Philips offers (e.g. notification of product software upgrade), register your product at www.philips.com/welcome.

Main unit

This section includes an overview of the main unit.



- ① **⏻ (Standby-On/Standby indicator)**
 - Switch this product on or to standby.
 - When this product is in standby, the standby indicator turns red.
- ② **SOURCE**

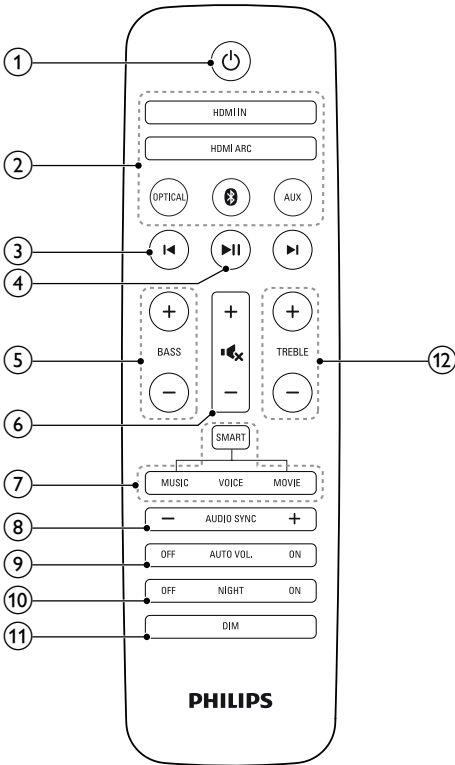
Select an input source for this product.
- ③ **Display panel**
- ④ **+/- (Volume)**

Increase or decrease volume.
- ⑤ **NFC tag**

Tap the NFC-enabled device on the tag for Bluetooth connection.

Remote control

This section includes an overview of the remote control.

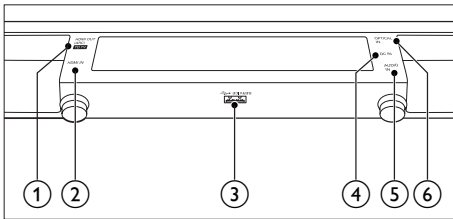


- ① Switch this product on or to standby.
- ② **Source buttons**
 - **HDMI IN:** Switch your source to the HDMI IN connection.
 - **HDMI ARC:** Switch your source to HDMI ARC connection.
 - **OPTICAL:** Switch your audio source to the optical connection.
 - **📶:** Switch to Bluetooth mode.
 - **AUX:** Switch your audio source to the AUDIO IN or AUX connection (3.5mm jack).

- ③ Skip to the previous or next track in Bluetooth mode (for AVRCP-supported Bluetooth devices).
- ④ Start, pause or resume play in Bluetooth mode (for AVRCP-supported Bluetooth devices).
- ⑤ **BASS +/-**
Increase or decrease bass on the main unit.
- ⑥ **Volume control**
 - **+/-:** Increase or decrease volume.
 - : Mute or restore volume.
- ⑦ **Sound mode control**
SMART: Automatically select a predefined sound mode to suit your video or music.
MUSIC: Select stereo sound mode.
VOICE: Select voice clarity sound mode.
MOVIE: Select surround sound mode.
- ⑧ **AUDIO SYNC +/-**
Increase or decrease audio delay.
- ⑨ **AUTO VOL ON/OFF**
Turn auto volume on or off.
- ⑩ **NIGHT ON/OFF**
Turn night mode on or off.
- ⑪ **DIM**
Set the brightness of the display panel for this product.
- ⑫ **TREBLE +/-**
Increase or decrease treble on the main unit.

Connectors

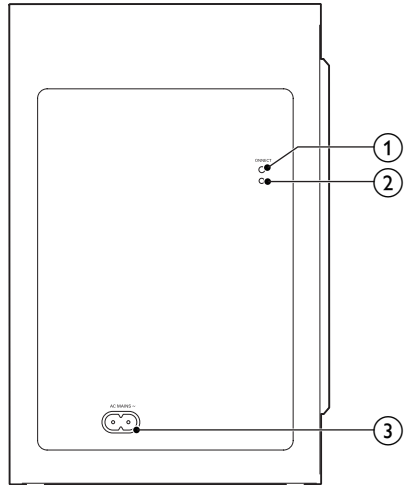
This section includes an overview of the connectors available on this product.



- ① **HDMI OUT (ARC) - TO TV**
Connect to the HDMI input on the TV.
- ② **HDMI IN**
Connect to the HDMI output on a digital device.
- ③ **••• (SERVICE)**
Connect a USB flash drive to upgrade software of this product (not for media play).
- ④ **DC IN**
Connect to the power supply.
- ⑤ **AUDIO IN**
Connect to an audio output on a device via AUDIO IN or AUX source (by pressing repeatedly **AUX** on the remote control).
- ⑥ **OPTICAL IN**
Connect to an optical audio output on the TV or a digital device.

Wireless subwoofer

This product comes with a wireless subwoofer.



- ① **CONNECT (connect)**
Press to enter the pairing mode for the subwoofer.
- ② **Subwoofer indicator**
 - When the power is turned on, the indicator lights up.
 - During wireless pairing between the subwoofer and the main unit, the indicator blinks white quickly.
 - When the pairing succeeds, the indicator lights up white.
 - When the pairing fails, the indicator blinks white slowly.
 - When wireless connection is disconnected for 2 minutes, the indicator turns off.
- ③ **AC MAINS~**
Connect to the power supply.

3 Connect

This section helps you connect this product to a TV and other devices.

For information about the basic connections of this product and accessories, see the quick start guide.

Note

- For identification and supply ratings, see the type plate at the back or bottom of the product.
- Before you make or change any connections, make sure that all devices are disconnected from the power outlet.

Pair up with the subwoofer

The wireless subwoofer automatically pairs up with the main unit for wireless connection when you turn on the main unit and the subwoofer:

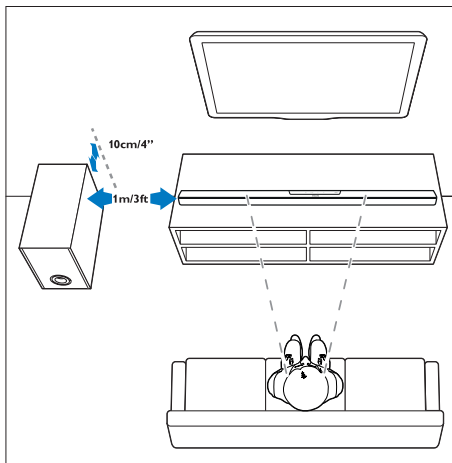
If no audio from the wireless subwoofer can be heard, manually pair up the subwoofer:

- 1 Turn on the main unit and the subwoofer:
 - ↳ If the connection to the main unit is lost, the indicator on the subwoofer blinks white slowly.
- 2 Press the **CONNECT** (connect) button on the subwoofer to enter the pairing mode.
 - ↳ The indicator on the subwoofer blinks white quickly.
- 3 In **OPTICAL** mode (press **OPTICAL**), within six seconds, on the remote control, press **⏮** twice then **Volume +** once, and then hold down **BASS +**.
 - ↳ If the pairing succeeds, the indicator on the subwoofer lights up white.
 - ↳ If the pairing fails, the indicator on the subwoofer blinks white slowly.
- 4 If the pairing fails, repeat the steps above.

Placement

Place the subwoofer at least 1 meter (3 feet) away from the main unit, and ten centimeters away from the wall.

For best results, place your subwoofer as shown below.

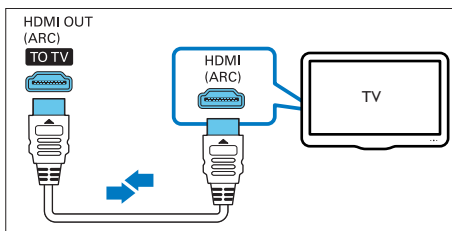


Connect to TV

Connect this product to a TV. You can listen to the TV audio through this product.

Connect to TV through HDMI (ARC)

This product supports HDMI with Audio Return Channel (ARC). If your TV is HDMI ARC compliant, you can hear the TV audio through this product by using a single HDMI cable.



1 Using a High Speed HDMI cable, connect the **HDMI OUT (ARC)** connector on this product to the **HDMI ARC** connector on the TV.

- The **HDMI ARC** connector on the TV might be labeled differently. For details, see the TV user manual.

2 On your TV, turn on HDMI-CEC operations. For details, see the TV user manual.

Note

- If your TV is not HDMI ARC compliant, connect an audio cable to hear the TV audio through this product.
- If your TV has a DVI connector, you can use an HDMI/DVI adapter to connect to TV. However, some of the features may not be available.

Connect digital devices through HDMI

Connect a digital device such as a set-top box, DVD/Blu-ray player, or games console to this product through a single HDMI connection. When you connect the devices in this way and play a file or game, the

- video is automatically displayed on your TV, and
- audio is automatically played on this product.

1 Using a High Speed HDMI cable, connect the **HDMI OUT** connector on your digital device to the **HDMI IN** on this product.

2 Connect this product to TV through **HDMI OUT (ARC)**.

- If the TV is not HDMI CEC compliant, select the correct video input on your TV.

3 On the connected device, turn on HDMI-CEC operations. For details, see the user manual of the device.

Connect audio from TV and other devices

Play audio from TV or other devices through the speakers of this product.

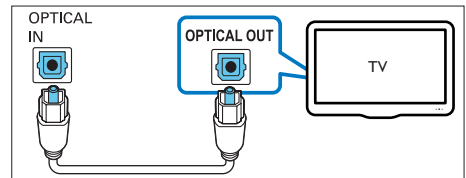
Use the best quality connection available on your TV, this product, and other devices.

Note

- When your product and TV are connected through **HDMI ARC**, an audio connection is not required.

Option 1: Connect audio through a digital optical cable

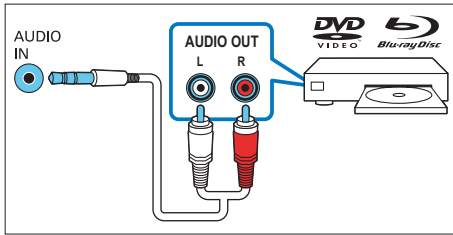
Best quality audio



- 1** Using an optical cable, connect the **OPTICAL IN** connector on this product to the **OPTICAL OUT** connector on the TV or other device.
- The digital optical connector might be labeled **SPDIF** or **SPDIF OUT**.

Option 2: Connect audio through analog audio cables

Basic quality audio



- 1 Using an analog cable, connect the **AUDIO IN** (3.5mm jack) on this product to the **AUDIO OUT** connectors (red and white) on the TV or other device.
- 2 Press repeatedly **AUX** on the remote control until **AUX** is displayed on the display panel.

4 Use your product

This section helps you use this product to play media from a wide range of sources.

Before you start

- Make the necessary connections described in Quick start guide and User manual.
- Switch this product to the correct source for the other devices.

Adjust the volume

- 1 Press **Volume +/-** to increase or decrease a volume level.
 - To mute sound, press **MUTE**.
 - To restore the sound, press **MUTE** again or press **Volume +/-**.

Choose your sound

This section helps you choose the ideal sound for your video or music.

Surround sound mode

Experience an immersive audio experience with surround sound modes.

- Press **MOVIE** to create a surround listening experience.
- Press **MUSIC** to create two-channel or multi-channel stereo, ideal for listening to music.
- Press **VOICE** to create sound effect which makes human voice more clear and outstanding for listening.
- Press **SMART** to automatically select a predefined sound mode (**MOVIE**, **MUSIC** or **VOICE**) based on input audio content to optimize audio performance.

Equalizer

Change the high frequency (treble) and low frequency (bass) settings of this product.

- 1 Press **TREBLE +/-** or **BASS +/-** to change the frequency.

Synchronize video and sound

If the audio and video are not synchronized, delay the audio to match the video.

- 1 Press **AUDIO SYNC +/-** to synchronize the audio with the video.

Auto volume

Turn the auto volume on to keep the volume constant when you switch to a different source or to a TV channel with a different content volume level.

- 1 Press **AUTOVOL ON/OFF** to turn auto volume on or off.

Night mode

For quiet listening, night mode decreases the volume of loud sounds when audio is played. Night mode is only available for Dolby Digital soundtracks.

- 1 Press **NIGHT ON/OFF** to turn night mode on or off.



Note

- If auto volume is set to turned on, you cannot enable the night mode.

Play audio through Bluetooth

Through Bluetooth, connect this product with your Bluetooth device (such as an iPad, iPhone, iPod touch, Android phone, or laptop), and then you can listen to the audio files stored on the device through the speakers of this product.

What you need

- A Bluetooth device which supports Bluetooth profile A2DP, AVRCP and with Bluetooth version as 4.0.
- The maximum operational range between this product and a Bluetooth device is approximately 10 meters (30 feet).

- 1 Press **Ⓜ** on the remote control to switch this product to Bluetooth mode.
↳ **BT** is displayed on the display panel, blinking.
- 2 On the Bluetooth device, switch on Bluetooth, search for and select **PHILIPS HTL7140** to start connection (see the user manual of the Bluetooth device on how to enable Bluetooth).
↳ During connection, **BT** on the display panel blinks.
- 3 Wait until this product beeps.
↳ When the Bluetooth connection succeeds, **BT** is displayed on the display panel.
↳ If the connection fails, **BT** on the display panel blinks continuously.
- 4 Select and play audio files or music on your Bluetooth device.
 - During play, if a call is coming, music play is paused.
 - If your Bluetooth device supports AVRCP profile, on the remote control you can press **⏮**/**⏭** to skip to a track, or press **⏸** to pause/resume play.
- 5 To exit Bluetooth, select other source.
 - When your switch back to Bluetooth mode, Bluetooth connection remains active.



Note

- The music streaming may be interrupted by obstacles between the device and this product, such as wall, metallic casing that covers the device, or other devices nearby that operate in the same frequency.
- If you want to connect this product with another Bluetooth device, press and hold **Ⓜ** on the remote control to disconnect the currently connected Bluetooth device.

Connect Bluetooth via NFC

NFC (Near Field Communication) is a technology that enables short-range wireless communication between NFC-enabled devices, such as mobile phones.

What you need

- A Bluetooth device with NFC function.
- For pairing, tap the NFC device on the **NFC** tag of this product.

- 1 Enable NFC on the Bluetooth device (see the device' s user manual for details).
- 2 Tap the NFC device onto the **NFC** tag of this product until this product beeps.
 - For first time connection, on some mobile devices prompt for pair-up appears, select "YES" for connection.
 - ↳ When the Bluetooth connection succeeds, **BT** is displayed on the display panel.
 - ↳ If the connection fails, **BT** on the display panel blinks continuously.
- 3 Select and play audio files or music on your NFC device.
 - To break the connection, tap again the NFC device onto the **NFC** tag on this product.

MP3 player

Connect your MP3 player to play your audio files or music.

What you need

- An MP3 player.
- A 3.5mm stereo audio cable.

- 1 Using the 3.5mm stereo audio cable, connect the MP3 player to the **AUDIO IN** connector on this product.
- 2 Press repeatedly **AUX** on the remote control until **AUDIO IN** is displayed on the display panel.

- 3 Press the buttons on the MP3 player to select and play audio files or music.

Auto standby

When playing media from a connected device, this product automatically switches to standby after 15 minutes of button inactivity and no audio/video play from a connected device.

Set display brightness

You can press **DIM** repeatedly to select a different brightness level of the display panel on this product.

If you select **DIM 0**, after 10 seconds LED message is switched off.

Apply factory settings

You can reset this product to the default settings programmed at the factory.

- 1 In **AUX** mode, on the remote control press **Volume -**, **BASS -**, and **TREBLE -** in sequence within three seconds.
 - ↳ When the factory settings restore is complete, the product automatically switches off and restarts.

5 Update software

To get the best features and support, update your product with the latest software.

Check software version

In HDMI ARC source, on the remote control press **TREBLE -**, **BASS -**, and **Volume -** in sequence within three seconds.


↳ The software version number is displayed on the display panel.


Update software via USB



Caution

- Do not turn off the power or remove the USB flash drive when the software update is in progress because you might damage this product.

- 1 Check the latest software version on www.philips.com/support.
 - Search for your model and click on "Software and drivers".
- 2 Download the software into a USB flash drive.
 - ① **Unzip the download if zipped, and make sure that the unzipped folder is named "UPG".**
 - ② **Put the "UPG" folder in the root directory.**
- 3 Connect the USB flash drive to the  (SERVICE) connector on this product.
- 4 Switch this product to HDMI ARC source (press **HDMI ARC**).

- 5 On the remote control, within 6 seconds press  twice then **Volume +** once, and then hold down **MOVIE**.
 - ↳ Then "UPG" (upgrade) is displayed on the display panel.
 - ↳ If a USB flash drive is not connected or invalid upgrade file is found, "ERROR" (error) is displayed on the display panel.
- 6 Wait until the upgrade is completed.
 - ↳ If the upgrade is complete, this product automatically turns off and on again.



Note

- The upgrade time may take around 3 minutes.

6 Wall mount

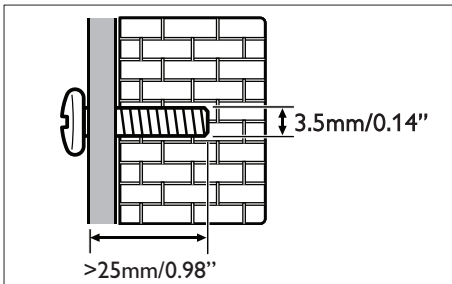
Before you mount this product on the wall, read all safety precautions.

Note

- Improper wall mounting may result in accident, injury or damage. If you have any query, contact Consumer Care in your country.
- Secure the wall mount to a wall that can support the combined weight of the product and the wall mount.

Screw length/diameter

Depending on the type of wall mounting this wall mount bracket, make sure that you use screws of a suitable length and diameter.



See the illustration in the quick start guide on how to wall mount this product.

- 1) Secure the wall bracket on the wall with the dowels and screws.
- 2) Hang this product on the wall bracket.

7 Product specifications

Note

- Specifications and design are subject to change without notice.

Amplifier

- Total output power: 320W RMS (+/- 0.5 dB, 10% THD)
- Frequency response: 20 Hz-20 kHz / ± 3 dB
- Signal-to-noise ratio: > 65 dB (CCIR) / (A-weighted)
- Input sensitivity:
 - AUX: 1000 mV
 - AUDIO IN: 500 mV

Audio

- S/PDIF Digital audio input:
 - Optical: TOSLINK

Bluetooth

- Bluetooth profiles: A2DP, AVRCP
- Bluetooth version: 4.0
- Frequency band/Output power: 2400 - 2483.5 MHz / ≤ 20 dBm
- NFC frequency: 13.56 MHz

Wireless speaker link

- Frequency band: 5725 - 5875 MHz
- Output power: ≤ 14 dBm

Main unit

- Power supply:
 - Model (Philips branded AC power adapter): DYS602-210309W; AS650-210-AA309
 - Input: 100-240V~, 50/60 Hz 1.5 A

- Output: 21V \approx , 3,09A
- Standby power consumption: ≤ 0.5 W
- Dimensions (W x H x D):
1060 x 38 x 62 mm
- Weight: 1.5 kg
- **Built-in speakers**
 - 2 x mylar tweeter (25mm/1", 8 ohm)
 - 4 x racetrack full-range speaker (90mm/3.5" x 27mm/1.1", 8 ohm) for front/surround channel
 - 2 x racetrack full-range speaker (90mm/3.5" x 27mm/1.1", 16 ohm) for center channel

Subwoofer

- Power supply: 220-240V~, 50-60 Hz
- Power consumption: 60 W
- Standby power consumption: ≤ 0.5 W
- Impedance: 3 ohm
- Speaker drivers: 1 x 203 mm (8") woofer
- Dimensions (W x H x D):
208 x 301 x 403 mm
- Weight: 6.5 kg

Remote control batteries

- 2 x AAA-R03-1.5 V

Standby power management

- When the product remains inactive for 15 minutes, it automatically switches to standby or networked standby.
- The power consumption in standby or networked standby is less than 0.5W.
- To deactivate Bluetooth connection, press and hold the Bluetooth button on the remote control.
- To activate Bluetooth connection, enable Bluetooth connection on your Bluetooth device, or enable Bluetooth connection via the NFC tag (if available).

8 Troubleshooting



Warning

- Risk of electric shock. Never remove the casing of the product.

To keep the warranty valid, never try to repair the product yourself.

If you have problems using this product, check the following points before you request service. If you still have a problem, get support at www.philips.com/support.

Main unit

The buttons on this product do not work.

- Disconnect this product from the power supply for a few minutes, then reconnect.

Sound

No sound from the speakers of this product.

- Connect the audio cable from this product to your TV or other devices. However, you do not need a separate audio connection when:
 - the product and TV are connected through **HDMI ARC** connection, or
 - a device is connected to the **HDMI IN** connector on this product.
- Reset this product to its factory settings.
- On the remote control, select the correct audio input.
- Make sure that this product is not muted.

No sound from the wireless subwoofer.

- Wirelessly connect the subwoofer to the main unit.

Distorted sound or echo.

- If you play audio from the TV through this product, make sure that the TV is muted.

Audio and video are not synchronized.

- Press **AUDIO SYNC +/-** to synchronize the audio with the video.

Error message is displayed on the display panel.

- When "ERROR" is displayed, it indicates that an input audio format is not supported.
- When "ARC" blinks, it indicates that the connected TV is not HDMI ARC compliant or an unsupported audio format is detected.

Bluetooth

A device cannot connect with this product.

- The device does not support the compatible profiles required for this product.
- You have not enabled the Bluetooth function of the device. See the user manual of the device on how to enable the function.
- The device is not correctly connected. Connect the device correctly.
- This product is already connected with another Bluetooth device. Disconnect the connected device, then try again.

Quality of audio play from a connected Bluetooth device is poor.

- The Bluetooth reception is poor. Move the device closer to this product, or remove any obstacle between the device and this product.

The connected Bluetooth device connects and disconnects constantly.

- The Bluetooth reception is poor. Move the device closer to this product, or remove any obstacle between the device and this product.
- Turn off Wi-Fi function on the Bluetooth device to avoid interference.
- For some Bluetooth, the Bluetooth connection can be deactivated automatically to save power. This does not indicate any malfunction of this product.

NFC

A device cannot connect with this product via NFC.

- Make sure that the device is supported by NFC.
- Make sure that NFC is enabled on the device (see the device's user manual for details).
- For pairing, tap the NFC device on the NFC tag of this product.



Manufactured under license from Dolby Laboratories. Dolby, Pro Logic, and the double-D symbol are trademarks of Dolby Laboratories.



For DTS patents, see <http://patents.dts.com>. Manufactured under license from DTS Licensing Limited. DTS, the Symbol, & DTS and the Symbol together are registered trademarks, and DTS Digital Surround is a trademark of DTS, Inc. © DTS, Inc. All Rights Reserved.



The terms HDMI and HDMI High-Definition Multimedia Interface, and the HDMI Logo are trademarks or registered trademarks of HDMI Licensing LLC in the United States and other countries.



The Bluetooth® word mark and logos are registered trademarks owned by Bluetooth SIG, Inc. and any use of such marks by Gibson Innovations Limited is under license. Other trademarks and trade names are those of their respective owners.



The N Mark is a trademark or registered trademark of NFC Forum, Inc. in the United States and in other countries.



© 2013 CSR plc and its group companies. The aptX® mark and the aptX logo are trademarks of CSR plc or one of its group companies and may be registered in one or more jurisdictions.



Specifications are subject to change without notice

Copyright © 2015 Gibson Innovations Limited. Revised Edition © 2017

This product has been manufactured by, and is sold under the responsibility of Gibson Innovations Ltd., and Gibson Innovations Ltd. is the warrantor in relation to this product. Philips and the Philips Shield Emblem are registered trademarks of Koninklijke Philips N.V. and are used under license from Koninklijke Philips N.V.

HTL7140B_12_UM_V4.0

