

Register your product and get support at
www.philips.com/welcome

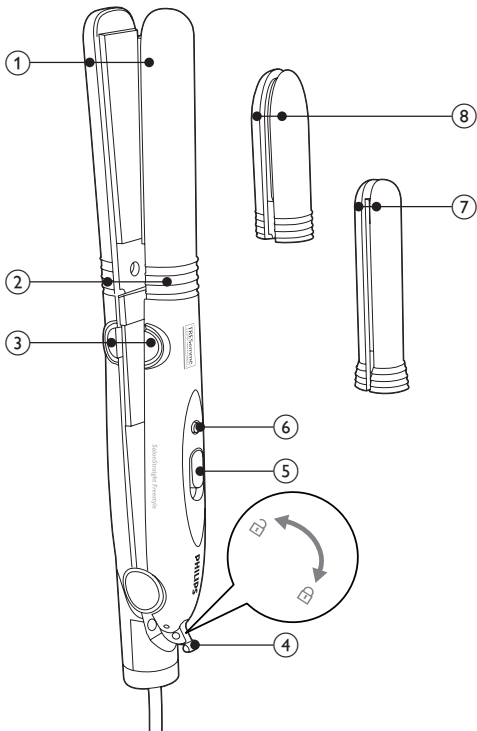
Styler

HP4681/00



EN User manual

PHILIPS



Congratulations on your purchase, and welcome to Philips! To fully benefit from the support that Philips offers, register your product at www.philips.com/welcome.

1 Important

Read this user manual carefully before you use the appliance and keep it for future reference.

- **WARNING:** Do not use this appliance near water.
- When the appliance is used in a bathroom, unplug it after use since the proximity of water presents a risk, even when the appliance is switched off.
- **WARNING:** Do not use this appliance near bathtubs, showers, basins or other vessels containing water.
- Before you connect the appliance, ensure that the voltage indicated on the appliance corresponds to the local power voltage.
- Do not use the appliance for any other purpose than described in this manual.
- Only use the appliance on dry hair. Do not use the appliance on artificial hair.
- When the appliance is connected to the power, never leave it unattended.
- Always unplug the appliance after use.
- When the appliance is hot, keep it on a heat-resistant surface and never cover the appliance with anything, such as a towel or clothing.
- Never use any accessories or parts from other manufacturers or that Philips does not specifically recommend. If you use such accessories or parts, your guarantee becomes invalid.
- Keep the hot surfaces of the appliance away from your skin.
- Do not wind the mains cord round the appliance.
- If you use the appliance on color-treated hair, the straightening plates/curling tongs may stain.



- If the mains cord is damaged, you must have it replaced by Philips, a service centre authorised by Philips or similarly qualified persons in order to avoid a hazard.
- This appliance is not intended for use by persons (including children) with reduced physical, sensory or mental capabilities, or lack of experience and knowledge, unless they have been given supervision or instruction concerning use of the appliance by a person responsible for their safety.
- Children should be supervised to ensure that they do not play with the appliance.
- For additional protection, we advise you to install a residual current device (RCD) in the electrical circuit that supplies the bathroom. This RCD must have a rated residual operating current not higher than 30mA. Ask your installer for advice.

Electromagnetic fields (EMF)

This appliance complies with all standards regarding electromagnetic fields (EMF). If handled properly and according to the instructions in this user manual, the appliance is safe to use based on scientific evidence available today.

Environment

Do not throw away the appliance with the normal household waste at the end of its life, but hand it in an official collection point for recycling. By doing this, you help to preserve the environment.



2 Style your hair

Note: Do not change the attachments or styler when the appliance is heating up or when it is hot. Do not comb or brush the hair before it has cooled down, as this would ruin the hairstyle you have just created.

Before you style your hair:

- 1 Insert and push the parts of the attachment you want to use into the handles ('click').
 - To disconnect the attachment, press the release button (③) at the top of each handle.

Note: You have to release both attachment parts separately.

- Grasp the cool grip area (②) with two fingers and gently pull the attachment parts out of the handles.
- 2 Connect the plug to a power supply socket.
 - 3 Push the on/off slide (⑤) upwards to switch on the appliance.
 - ↳ The power-on indicator (⑥) lights up.
 - ↳ The appliance is ready for use within 90 seconds.
 - 4 Pull the lock (④) upwards to unlock the appliance.

Styling with the straightening attachment (①)

- 1 Comb your hair and take a section that is not wider than 5cm for straightening.
- 2 Place it between the straightening plates and press the handles together.
- 3 Slide the straightener down the length of the hair in a single motion (max. 5 seconds) from root to end, without stopping to prevent overheating.
- 4 After 20 seconds, repeat step 2 and 3 until you achieve the desired look.
- 5 To straighten the rest of your hair, repeat steps 2 to 4.

Styling with the attachment for twists and flicks (⑦)

- 1 Comb your hair and divide your hair into small sections that are not wider than 4cm.
- 2 Place it between the plates and press the handles together.
- 3 Turn the styler half-circle inwards (or outwards) when it reaches the hair ends. Hold the styler in that position for 2 to 3 seconds, and then release it.
- 4 After 20 seconds, repeat step 2 and 3 until you achieve the desired look.
- 5 To style the rest of your hair, repeat steps 2 to 4.

Styling with the attachment for creating volume in layered styles (⑧)

- 1 Take a section that is 2-3cm wide. If you have a layered style, make sure the section consists of hair of the same length and layer.
- 2 Place it between the plates in such a way that the tip of the attachment is close to the hair roots, and press the handles together.
 - Make sure you do not touch your scalp with the tip of the attachment to prevent burning your skin.

- 3 Slide the styler down the length of the hair in a few seconds, without stopping to prevent overheating.
- 4 After 20 seconds, repeat step 2 and 3 until you achieve the desired look.
- 5 To style the rest of your hair; repeat steps 2 to 4.

After use:

- 1 Switch off the appliance and unplug it.
- 2 Place it on a heat-resistant surface until it cools down.
- 3 Remove hairs and dust from the appliance and attachments.
- 4 Clean the appliance and plates by damp cloth.
- 5 Keep the appliance in a safe and dry place, free of dust.

3 Guarantee and service

If you need information or if you have a problem, please visit the Philips website at www.philips.com or contact the Philips Customer Care Centre in your country (you find its phone number in the worldwide guarantee leaflet). If there is no Consumer Care Centre in your country, go to your local Philips dealer.



© Royal Philips Electronics N.V. 2009
All rights reserved.

Specifications are subject to change without notice.
Trademarks are the property of Koninklijke Philips
Electronics N.V. or their respective owners.

PDCC-2009
3140 035 20671



100% recycled paper
100% papier recyclé