

TRESemmé  
USED BY PROFESSIONALS

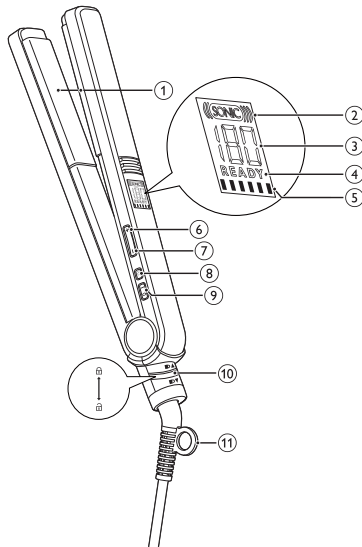
HP4666/17



**PHILIPS**



Register your product and get support at  
[www.philips.com](http://www.philips.com)



© Royal Philips Electronics N.V. 2009  
All rights reserved.


Specifications are subject to change without notice.  
Trademarks are the property of Koninklijke Philips  
Electronics N.V. or their respective owners.

## English

Congratulations on your purchase, and welcome to TRESemmé Philips! To fully benefit from the support that Philips offers, register your product at [www.philips.com/welcome](http://www.philips.com/welcome).

### 1 Important

Read this user manual carefully before you use the appliance and keep it for future reference.

- **WARNING:** Do not use this appliance near water.
- When the appliance is used in a bathroom, unplug it after use since the proximity of water presents a risk, even when the appliance is switched off.
- **WARNING:** Do not use this appliance near bathtubs, showers, basins or other vessels containing water. 
- Before you connect the appliance, ensure that the voltage indicated on the appliance corresponds to the local mains voltage.
- Do not use the appliance for any other purpose than described in this manual.
- Only use the appliance on dry hair. Do not use the appliance on artificial hair.
- Keep the hot surfaces of the appliance away from your skin.
- When the appliance is connected to the mains, never leave it unattended.
- Always unplug the appliance after use.
- When the appliance is hot, keep it on a heat-resistant surface and never cover the appliance with anything, such as a towel or clothing.
- Never use any accessories or parts from other manufacturers or that Philips does not specifically recommend. If you use such accessories or parts, your guarantee becomes invalid.
- Do not wind the mains cord round the appliance.

- If you use the appliance on colour-treated hair; the straightening plates may stain.
- If the mains cord is damaged, you must have it replaced by Philips, a service centre authorised by Philips or similarly qualified persons in order to avoid a hazard.
- This appliance is not intended for use by persons (including children) with reduced physical, sensory or mental capabilities, or lack of experience and knowledge, unless they have been given supervision or instruction concerning use of the appliance by a person responsible for their safety.
- Children should be supervised to ensure that they do not play with the appliance.
- For additional protection, we advise you to install a residual current device (RCD) in the electrical circuit that supplies the bathroom. This RCD must have a rated residual operating current not higher than 30mA. Ask your installer for advice.

## Electromagnetic fields (EMF)

This appliance complies with all standards regarding electromagnetic fields (EMF). If handled properly and according to the instructions in this user manual, the appliance is safe to use based on scientific evidence available today.

## Environment

Do not throw away the appliance with the normal household waste at the end of its life, but hand it in at an official collection point for recycling. By doing this, you help to preserve the environment.



## 2 Straighten your hair

Ensure that you select a temperature setting that is suitable for your hair.

Always select a low setting when you use the straightener for the first time.

Hair Type	Temperature Setting
Coarse, curly, hard-to-straighten	Mid to High (170 °C and above)
Fine, medium-textured or softly waved	Low to Mid (160 °C and below)
Pale, blonde, bleached or colour-treated	Low (Below 160 °C)

- 1 Connect the plug to a mains socket.
- 2 Slide the closing lock (10) to unlock the appliance.
- 3 Press and hold the (0) button (9) until the display screen lights up.
  - ↳ The default temperature setting is displayed (3).
- 4 Press the (+) button (6) or (7) to select a suitable temperature setting for your hair.
  - ↳ When the straightening plates have heated up to the selected temperature, the indication 'READY' (4) is displayed.
  - ↳ The remaining usage time (5) is indicated by the six bars, each for ten minutes. After 60 minutes, the appliance switches off automatically.
- 5 Press the (S) button (8) to switch on or off the sonic function. It provides faster straightening results and perfect gliding.
  - ↳ When the function is on, the SONIC indication is displayed (2).
  - The sonic vibration only starts when the straightening plates are pressed together. The straightening plates make a rattling sound when they are slightly in contact, which does not affect the performance of the appliance.
- 6 Comb your hair and take a section that is not wider than 5cm for straightening.
- 7 Place it between the straightening plates (1) and press the handles together.

- 8 Slide the straightener down the length of the hair in a single motion (max. 5 seconds) from root to end, without stopping to prevent overheating.
- 9 After 20 seconds, repeat step 8 until you achieve the desired look.
- 10 To straighten the rest of your hair; repeat steps 6 to 9.

### After use:

- 1 Switch off the appliance and unplug it.
- 2 Place it on a heat-resistant surface until it cools down.
- 3 Clean the appliance and straightening plates by a damp cloth.
- 4 Lock the straightening plates (10).
- 5 Keep it in a safe and dry place, free of dust. You can also hang it with the hanging loop (11) or store it in the supplied pouch.

## 3 Guarantee and service

If you need information or if you have a problem, please visit the Philips website at [www.philips.com](http://www.philips.com) or contact the Philips Customer Care Centre in your country (you find its phone number in the worldwide guarantee leaflet). If there is no Consumer Care Centre in your country, go to your local Philips dealer.