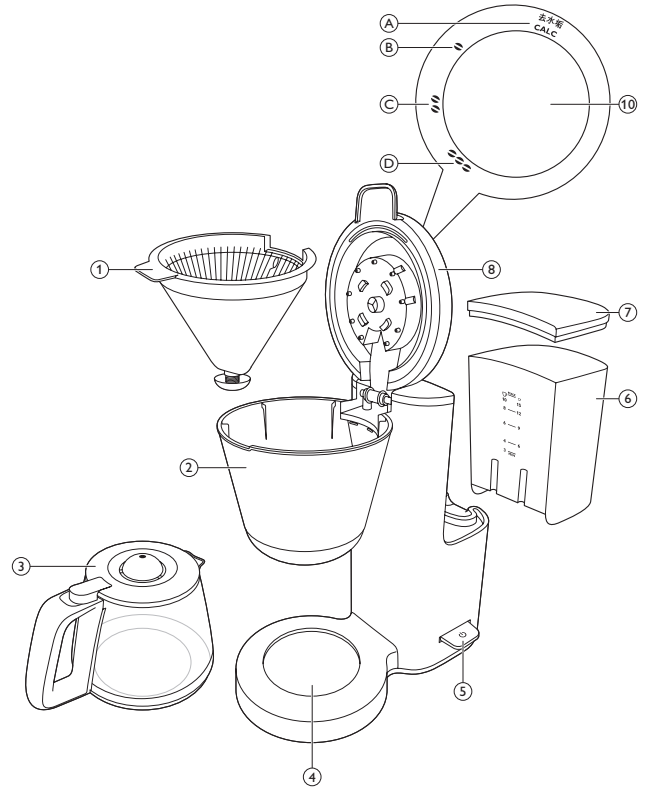


PHILIPS

HD7685



PHILIPS

产品 : 飞利浦滴漏式咖啡机
 型号 : HD7685
 额定电压 : 220V~
 额定频率 : 50Hz
 额定输入功率: 900 W
 生产日期 : 请见产品本体
 产地 : 中国广东深圳

飞利浦(中国)投资有限公司
 上海市静安区灵石路718号A1幢
 全国顾客服务热线: 4008 800 008

本产品根据国标 GB4706.1-2005,
 GB4706.19-2008制造

保留备用
 发行日期: 18/01/2018



>75% recycled paper
 >75% 循环再造纸

4222.200.0559.6

Introduction

Congratulations on your purchase and welcome to Philips! To fully benefit from the support that Philips offers, register your product at www.philips.com/welcome.

Important

Read this user manual carefully before you use the appliance and save it for future reference.

Danger

- Do not immerse the appliance in water or any other liquid.

Warning

- Check if the voltage indicated on the appliance corresponds to the local mains voltage before you connect the appliance.
- Do not use the appliance if the plug, the mains cord or the appliance itself is damaged.
- If the mains cord is damaged, you must have it replaced by Philips, a service centre authorized by Philips or similarly qualified persons in order to avoid a hazard.
- This appliance is not intended for use by persons (including children) with reduced physical, sensory or mental capabilities, or lack of experience and knowledge, unless they have been given supervision or instruction concerning use of the appliance by a person responsible for their safety.
- Cleaning and user maintenance shall not be made by children without supervision
- Children should be supervised to ensure that they do not play with the appliance.
- Keep the appliance and its cord out of reach of children.
- Do not let the mains cord hang over the edge of the table or worktop on which the appliance stands.
- Only use the appliance as described in the user manual to avoid potential injury due to misuse.

Caution

- Do not place the coffeemaker in a cabinet when in use.
- Unplug the appliance before you clean it and if problems occur during brewing.
- Do not move the appliance while it is brewing.
- Do not place the appliance on a hot surface and prevent the mains cord from coming into contact with hot surfaces.
- During brewing and until you switch off the appliance, the filter holder, the lower part of the appliance, the hotplate and the jug filled with coffee are hot.
- Do not disassemble the insulated jug.
- Never immerse the insulated jug in water or any other liquid, as this could cause water to enter between the walls of the jug.
- The insulated jug is not dishwasher-proof.
- When the jug is filled with coffee, keep it in upright position to prevent leakage.
- This appliance is intended to be used in household and similar applications such as farm houses, bed and breakfast type environments, staff kitchen areas in shops, offices and other working environments, and by clients in hotels, motels and other residential type environments.
- Always return the machine to a service centre authorised by Philips for examination or repair. Do not attempt to repair the machine yourself, otherwise your guarantee becomes invalid.
- Do not use the machine in combination with a transformer, as this could cause hazardous situations.

Electromagnetic fields (EMF)

This Philips appliance complies with all applicable standards and regulations regarding exposure to electromagnetic fields.

General description (Fig. 1)

- 1 Filter basket
 - 2 Filter basket holder
 - 3 Glass jug
 - 4 Hotplate
 - 5 On/off switch
 - 6 Detachable water tank
 - 7 Lid of detachable water tank
 - 8 Lid
 - 9 Intensity switch
- A CALC setting
B Mild coffee setting
C Regular coffee setting
D Intense coffee setting

Preparing for use

- 1 Place the appliance on a flat and stable surface.
- 2 Put the plug in an earthed wall socket.
- 3 You can store excess cord by pushing it into the opening in the back of the coffee maker.

Adjustable keep-warm time and freshness indicator

You can adjust the time during which the appliance keeps the coffee warm on the hotplate to a maximum of 120 minutes. The default keep-warm time is 30 minutes.

- 1 Press and hold the on/off switch until the light starts to flash slowly, then release.
- 2 Press the on/off switch to adjust the keep-warm time. Every press of the on/off switch adds 30 minutes. You can press the on/off switch to a maximum of 4 times which equals 120 minutes.
- 3 The appliance automatically saves the set keep-warm time, and flashes once for 30 minutes, twice for 60 minutes, three times for 90 minutes and four times for 120 minutes.

Freshness indicator

To switch off the freshness indicator, follow below steps.

- 1 Unplug the appliance.
- 2 Press and hold the on/off switch and put the plug back in the wall socket.
 - ▶ The on/off switch lights up continuously for 2 seconds to confirm the freshness indicator is switched off.

To switch on the freshness indicator, follow below steps.

- 1 Unplug the appliance.
- 2 Press and hold the on/off switch and put the plug back in the wall socket.
 - ▶ The on/off switch flashes rapidly to confirm the freshness indicator is switched on.

Flushing the appliance before first use

- 1 Remove the water tank from the appliance (1) and remove the lid of the water tank (2) (Fig. 2).
 - 2 Fill the water tank with fresh, cold tap water (Fig. 3).
 - 3 Put the lid on the water tank (1) and put the water tank back onto the appliance (2) (Fig. 4).
- Do not put a filter and ground coffee in the filter holder.
- 4 Press the on/off switch downwards to switch on the appliance (Fig. 5).
 - 5 Let the appliance operate until the water tank is empty.
 - 6 Press the on/off switch downwards to switch off the appliance (Fig. 6).
 - 7 Clean the glass jug and the filter holder (see chapter 'Cleaning'). (Fig. 7)
 - 8 Let the appliance cool down for at least 3 minutes before you start brewing coffee.

Do not clean the insulated jug in the dishwasher.

Using the appliance

Brewing coffee

The intensity switch lets you set the way the water flows through the coffee bed: a wide water distribution setting gives a smooth, mild taste, while a concentrated distribution results in a strong intense taste.

- 1 Make sure the plug is in an earthed wall socket.
- 2 Make sure the glass jug or insulated jug (with the lid in the 'closed/brewing' position) is placed under the filter holder.
- 3 Brew from mild to intense coffee with the intensity switch. (Fig. 8)
To choose the coffee strength, turn the knob to the preferred position: mild, regular or intense.
- 4 Remove the water tank and fill it with fresh, cold tap water (Fig. 9).
The level indications correspond to small cups of 80ml and large cups of 120ml.
- 5 Put the lid on the water tank (1) and put the water tank back onto the appliance properly (2) (Fig. 2).
- 6 Take a paper filter (type 1x4 or no. 4) and fold the sealed edges to prevent tearing and folding (Fig. 10).
- 7 Open the filter holder lid (1) and put a paper filter in the filter holder (2) (Fig. 11).

- Put pre-ground coffee (filter-fine grind) in the filter (1) and close the filter holder lid (2) (Fig. 12).

Tip: Experiment with the amount of coffee and water to find out the perfect coffee-to-water ratio for you.

- Press the on/off switch downwards to switch on the appliance (Fig. 6).
- When all the water has passed through the filter, you can remove the jug from the appliance.

If you remove the jug for more than 20 seconds before all the water has passed through the filter, the filter may overflow.

- The coffee is kept hot on the hotplate until you switch off the appliance or until the appliance switches off automatically after the set keep-warm time.

- Open the filter holder lid (1) and remove the filter holder (2) (Fig. 13).
- Throw away the paper filter. (Fig. 14)
- Let the appliance cool down for at least 3 minutes before you start brewing coffee again.

Note: If you set a keep-warm time of 60 minutes or more, the light in the on/off switch starts to flash after 30 minutes to indicate that the freshness of your coffee is declining.

Cleaning

Never immerse the appliance in water.

- Unplug the appliance.
- Clean the outside of the appliance with a moist cloth (Fig. 15).
- Open the filter holder lid (1) and remove the filter holder (2) (Fig. 13)

Note: Make sure you place the filter holder back into the appliance properly.

- Clean the glass jug and the filter holder in hot water with some washing-up liquid or in the dishwasher (Fig. 16).
- After cleaning, rinse the glass jug with fresh hot water (Fig. 17).

Water tank

- Remove the water tank from the appliance (1) and remove the lid of the water tank (2) (Fig. 2).
- Clean the water tank in hot water, if necessary with some washing-up liquid or in the dishwasher (Fig. 18).

Note: If you use a washing-up brush, be careful not to damage the valve in the bottom of the water tank.

Do not use an object with sharp edges to clean the water inlet on the appliance.

- Rinse the water tank with fresh water after cleaning and put it back onto the appliance (Fig. 3).

Descaling

Regular descaling prolongs the life of the appliance and guarantees optimal brewing results for a long time. In case of normal use (two full jugs of coffee every day), descale the appliance:

- 2 or 3 times a year if you use soft water (up to 18dH).
- 4 or 5 times a year if you use hard water (over 18dH).

You can use white vinegar with 4% acetic acid. You can also use an appropriate liquid descaler. In this case, follow the instructions on the package of the descaler.

Do not use a descaling powder.

- Set the Intensity switch knob to the CALC position (Fig. 19).

Note: Use of the CALC position is preferred to get optimal descaling results. You can also descale without setting the Intensity switch knob to the CALC position.

- Fill the water tank with white vinegar (4% acetic acid). (Fig. 20)
- Put a paper filter in the filter holder to collect the scale (Fig. 21).
- Press the on/off switch downwards to switch on the appliance (Fig. 5).
- Once the appliance is finished, let it cool down for 3 minutes and remove the paper filter.
- Repeat step 2-5 once more. Re-use the vinegar in the jug to fill the water tank again.
- Switch off the appliance (Fig. 22).
- Remove the paper filter.

- Let the appliance cool down for 3 minutes.

- Fill the water tank with fresh cold water. (Fig. 9)

- Switch on the appliance and let it brew until the water tank is empty.

- Repeat step 9 to 11 once more.

Note: Repeat step 12 until the water in the jug no longer tastes or smells like vinegar.

- Clean the separate parts (see chapter 'Cleaning').

Ordering accessories

To buy accessories or spare parts, visit www.shop.philips.com/service or go to your Philips dealer. You can also contact the Philips Consumer Care Centre in your country (see the worldwide guarantee leaflet for contact details).

Recycling

- Do not throw away the appliance with the normal household waste at the end of its life, but hand it in at an official collection point for recycling. By doing this, you help to preserve the environment.
- Follow your country's rules for the separate collection of electrical and electronic products. Correct disposal helps prevent negative consequences for the environment and human health.

Warranty and support

If you need information or support, please visit www.philips.com/support or read the separate international warranty leaflet.

Troubleshooting

This chapter summarises the most common problems you could encounter with the appliance. If you are unable to solve the problem with the information below, visit www.philips.com/support for a list of frequently asked questions or contact the Consumer Care Centre in your country.

Problem	Solution
The appliance does not work.	Make sure that the voltage indicated on the appliance corresponds to the local mains voltage. Make sure that: The appliance is plugged in and switched on. The water tank is filled with water. In all other cases, contact the Philips Consumer Care Centre.
The appliance continues to drip long after the brewing cycle has finished.	Some dripping is normal. This is caused by steam that condenses inside the appliance. If more than 3 to 5 drops of coffee fall on the hotplate after you remove the jug, the drip stop is dirty. Push the drip stop to open it and rinse it under a running tap. If you remove the jug from the appliance for more than 20 seconds, the filter holder starts to overflow. If the above solutions do not solve the problem, please contact the Philips Consumer Care Centre.
The filter overflows while the appliance is brewing coffee.	Check if you placed the filter holder into the appliance properly. If the filter holder is not in the correct position, the drip stop does not work, which may cause the filter holder to overflow. If you remove the jug from the appliance for more than 20 seconds during the brewing process, the filter holder starts to overflow.
The coffee is too weak.	Set the intensity knob to intense. Put more ground coffee in the filter holder to get the coffee-to-water ratio right. Make sure that the paper filter does not collapse. Use the right size of paper filter (1x4 or no.4). Make sure that there is no water in the jug before you start to brew coffee.
The coffee is too strong.	Set the intensity knob to mild. Use less ground coffee or more water.
The appliance takes a long time to brew coffee.	Descal the appliance (see chapter 'Descaling').
The appliance produces a lot of noise and steam during the brewing process.	Descal the appliance (see chapter 'Descaling').

Problem	Solution
The coffee is not hot enough.	Make sure you place the jug onto the hotplate properly. Use thin-walled cups. Thin-walled cups will absorb less heat from the coffee than thick-walled cups.
	Descal the appliance regularly (see chapter 'Descaling').
The appliance does not keep the coffee warm long enough.	You can adjust the keep-warm time (see chapter 'Preparing for use', 'Adjustable keep-warm and freshness indicator').

简体中文

简介

感谢您的惠顾，欢迎光临飞利浦！为了您能充分享受飞利浦提供的支持，请在 www.philips.com/welcome 上注册您的产品。

注意事项

使用本产品之前，请仔细阅读本使用说明书，并妥善保管以备日后参考。

危险

- 不要将本产品浸入水中或任何其它液体中。

警告

- 在将产品连接电源之前，请先检查产品所标电压与当地的供电电压是否相符。
- 如果插头、电源线或产品本身受损，请勿使用本产品。
- 如果电源线损坏，为避免危险，必须由飞利浦或其授权的服务中心，或类似的专职人员来更换。
- 产品不打算由有肢体、感官或精神能力缺陷或缺少使用经验和知识的人（包括儿童）使用，除非有负责他们安全的人对他们进行与产品使用有关的监督或指导。
- 不要让儿童在无人监督的情况下对本产品进行清洁和保养。
- 请照看好儿童，本产品不能用于玩耍。
- 应将产品及其线缆置于儿童触及不到的地方。
- 不要将电源线悬挂在放置产品的桌子或工作台的边缘上。
- 为避免因误用而导致潜在伤害，请仅按照用户手册中所述的方式使用产品。

警告

- 使用咖啡机时，切勿将其置于柜中。
- 在清洁前或在煮咖啡期间出现问题时，拔下产品的电源插头。
- 冲煮期间，请勿移动本产品。
- 切勿将本产品放在热的表面上，并防止电源线与热的表面接触。
- 冲煮过程中且直到您关闭本产品，滤网架、产品下部、加热盘和装满咖啡的保温壶都很烫。
- 请勿拆卸保温壶。
- 切勿将保温壶浸泡在水或任何其他液体中，因为这可能导致水进入壶壁之间。
- 不能用洗碗机清洗保温壶。
- 当保温壶装满咖啡时，请将其保持直立以防溢出。
- 本产品可用于家用及类似用途，如农庄、提供住宿和早餐类型的场所、商店、办公场所及其他工作环境中的员工厨房以及供旅店、汽车旅馆及其他住宿型环境中的客人使用。
- 务必将咖啡机送到飞利浦授权的服务中心进行检修。
- 请勿尝试自行修理机器，否则保修将失效。
- 请勿通过变压器使用咖啡机，否则将发生危险。

电磁场 (EMF)

本飞利浦产品符合所有有关暴露于电磁场的适用标准和法规。

基本说明 (图 1)

- 1 滤框
- 2 滤框支架
- 3 玻璃壶
- 4 加热盘
- 5 开/关按钮
- 6 分离式水箱
- 7 分离式水箱盖
- 8 盖子
- 9 浓度调节
- A 去水垢设置
- B 淡味咖啡设置
- C 普通咖啡设置
- D 香浓咖啡设置

使用准备

- 1 将产品放在一个水平、稳固的表面上。
- 2 将插头插入有接地的电源插座。
- 3 可将多余的电源线推入咖啡壶背后的收藏格中。

可调保温时间和新鲜度指示灯

您可以调整产品对咖啡（在加热盘上）的保温时间，最长为 120 分钟。默认保温时间为 30 分钟。

- 1 按住开/关按钮，直至指示灯开始缓慢闪烁，然后松开。
- 2 按开/关按钮可调整保温时间。每按一次，时间增加 30 分钟。最多可按 4 次，相当于 120 分钟。
- 3 产品可自动保存设定的保温时间。30 分钟，闪烁一次；60 分钟，闪烁两次；90 分钟，闪烁三次；120 分钟，闪烁四次。

新鲜度指示灯

要关闭新鲜度指示灯，请按照以下步骤操作。

- 1 拔掉产品插头。
- 2 按住开/关按钮，将插头插回插座。
▶ 开/关按钮将持续亮起 2 秒以确认新鲜度指示灯已关闭。要打开新鲜度指示灯，请按照以下步骤操作。

- 1 拔掉产品插头。
- 2 按住开/关按钮，将插头插回插座。
▶ 开/关按钮将快速闪烁以确认新鲜度指示灯已打开。

首次使用之前请冲洗产品

- 1 从产品中取出水箱 (1)，然后取下水箱盖 (2)。(图 2)
- 2 向水箱中注入干净的冷水。(图 3)
- 3 盖上水箱盖 (1)，然后将水箱放回产品 (2)。(图 4)
切勿将过滤网和咖啡粉放于过滤网架之上。
- 4 向下按开/关按钮可打开产品。(图 5)
- 5 在水箱中的水烧尽之前，请保持产品运行的状态。
- 6 向下按开/关按钮可关闭产品。(图 6)
- 7 清洁玻璃壶和滤网架（请参阅“清洁”一章）。(图 7)
- 8 冲煮咖啡前，请让产品至少冷却 3 分钟。
请勿使用洗碗机清洗保温壶。

使用本产品

烹煮咖啡

采用加强型开关，您可以设置水流经咖啡过滤层的方式：广泛分布设置可获得丝滑温和口感，而集中分布则可带来醇厚口感。

- 1 确保插头已插入接地电源插座。
- 2 确保玻璃壶或保温壶（壶盖处于“已关闭/正在冲煮”位置）位于滤网架下方。

3 使用浓度调节功能，冲煮出不同浓度的各种咖啡。(图 8) 要选择咖啡浓度，请将旋钮转至所需位置：淡味、普通或香浓。

4 将水箱卸下并注入干净的冷水。(图 9) 水位指示对应于小杯（80 毫升）和大杯（120 毫升）。

5 盖上水箱盖 (1)，将水箱正确放回产品 (2)。(图 2)

6 取一张过滤纸 (1X4 型或 4 号)，将密封边折起，以防撕破或折叠。(图 10)

7 打开滤网架盖 (1)，将滤纸放入滤网架 (2)。(图 11)

8 将预磨咖啡（过滤细研磨）放入滤网 (1)，合上滤网架盖 (2)。(图 12)

提示：试验不同的咖啡量和水量，找到适合您的粉水比例。

9 向下按开/关按钮可打开产品。(图 6)

10 当所有的水都流过滤网后，可将玻璃壶从热盘上取走。在水全部透过滤网之前，如果移开保温壶超过 20 秒，水可能会从滤网溢出。

11 咖啡放在加热盘上即可保温，直至您关闭产品或达到设定的保温时间后产品会自动关闭。

12 打开滤网架盖 (1)，取下滤网架 (2)。(图 13)

13 将过滤纸丢弃。(图 14)

14 当您再次冲煮咖啡前，请让产品至少冷却 3 分钟。

注意：如果您将保温时间设置为 60 分钟或更长，则开/关按钮中的指示灯将在 30 分钟后开始闪烁，指示咖啡的新鲜度正在下降。

清洁

切勿将产品浸入水中。

1 拔掉产品插头。

2 用湿布清洁产品外部。(图 15)

3 打开滤网架盖 (1)，取下滤网架 (2) (图 13)

注意：确保将滤网架正确放回产品。

4 在含有洗涤剂的热水中或洗碗机内清洗玻璃壶及过滤网架。(图 16)

5 清洁后，用洁净的热热水冲洗玻璃壶。(图 17)

水箱

1 从产品中取出水箱 (1)，然后取下水箱盖 (2)。(图 2)

2 用热水清洁水箱，如有必要，可加少许洗涤剂或用洗碗机清洗。(图 18)

注意：如果使用清洁刷，务必小心操作以免损坏水箱底部的阀门。

请勿使用带有锋利边缘的物体清洁产品上的注水口。

3 清洁之后应使用净水将水箱冲洗干净，然后将其放回产品中。(图 3)

除水垢

定期除垢既可延长产品的使用寿命，又可保证长时间获得出色的冲煮效果。在正常使用时（每天两满壶咖啡），为产品除垢：

- 如果使用软水（18dH 或以下），每年除垢 2 或 3 次。

- 如果使用硬水（18dH 以上），每年除垢 4 到 5 次。

您可以使用醋酸度为 4% 的白醋，也可以使用适合的液体除垢剂，但要按照除垢剂包装上的说明执行操作。

切勿使用除垢粉。

1 将浓度调节旋钮调至去水垢位置。(图 19)

注意：使用去水垢位置有助于获得出色的除垢效果。您也可以在将浓度调节旋钮调至去水垢位置的情况下除垢。

2 给水箱注入白醋（醋酸度为 4%）。(图 20)

3 将滤纸放入滤网架，以便收集水垢。(图 21)

4 向下按开/关按钮可打开产品。(图 5)

5 产品完成除垢后，让其冷却 3 分钟，然后取出滤纸。

6 再次重复步骤 2-5。要重新利用壶中的醋，可再次为水箱注水。

7 关闭产品。(图 22)

8 取出滤纸。

9 让产品冷却 3 分钟。

10 往水箱里注入清水。(图 9)

11 打开产品，让其进行冲煮，直至水箱无水为止。

12 再次重复步骤 9 至 11。

注意：重复步骤 12，直至壶里的水不再有醋味。

13 清洗可拆卸部件（见“清洁”一章）。

订购附件

要购买附件和备件，请访问 www.shop.philips.com/service 或请联系飞利浦经销商。您也可以联系您所在国家/地区的飞利浦客户服务中心（联系详情，请参阅全球保修卡）。

回收

- 弃置产品时，请不要将其与一般生活垃圾堆放在一起；应将其交给官方指定的回收点。这样做有利于环保。
- 请遵守您所在国家/地区的电器和电子产品专门回收规定。正确处置废弃产品有助于避免对环境和人类健康造成不良后果。

保修和支持

如果您需要信息或支持，请访问 www.philips.com/support 或阅读单独的全球保修卡。

故障种类和处理方法

本章归纳了使用本产品时最常见的一些问题。如果您无法根据以下信息解决问题，请访问 www.philips.com/support 查阅常见问题列表，或联系您所在国家/地区的客户服务中心。

问题	解决方法
产品不能工作。	确保产品上标示的电压与当地的电源电压相符。
	确保满足以下条件： 产品已插电并已打开。 水箱装有水。
	如果仍有问题，请与飞利浦客户服务中心联系。
冲煮过程结束后很长时间，产品仍然滴漏。	少量滴水是正常的。这是由于蒸汽在产品中冷凝造成的。如果取下保温壶后，发现有超过 3 至 5 滴咖啡落在加热盘上，说明滴漏盘已变脏。按滴漏盘以将其打开，然后在水龙头下冲洗。
	如果您将保温壶从产品上移开 20 秒以上，则滤网架会开始溢出。
	如果上述方法无法解决问题，请联系飞利浦客户服务中心。
当产品冲煮咖啡时，滤网将出现溢出现象。	检查是否已将滤网架正确装入产品。如果滤网架未处于正确位置，则防滴漏功能不会工作，这可能会导致滤网架溢出。
	如果您在冲煮过程中将保温壶从产品上移开 20 秒以上，则滤网架会开始溢出。
咖啡太稀。	将浓度调节按钮调至香浓。

问题	解决方法
	将更多咖啡粉放入滤网架，以获得适合的粉水比例。 确保滤纸未折叠。
	使用正确规格的滤纸（1x4 型或 4 号）。 在开始冲煮咖啡之前，确保保温壶里没有水。
咖啡太浓。	将浓度调节按钮调至淡味。 减少咖啡粉的用量或增加水量。
产品煮咖啡的时间过长。	去除产品内的水垢（见“除水垢”一章）。
产品在煮咖啡过程中产生很大的噪音和蒸汽。	去除产品内的水垢（见“除水垢”一章）。
咖啡不够热。	确保将玻璃壶正确置于加热盘上。 使用壁薄杯子，与壁厚杯子相比，其从咖啡吸收的热量更少。
	定期为产品除垢（请参阅“除垢”一章）。
产品对咖啡的保温时间不足。	您可以调节保温时间（请参阅“使用准备”一章中的“可调保温时间和新鲜度指示灯”）。

产品中有害物质的名称及含量

部件名称	有害物质					
	铅 (Pb)	汞 (Hg)	镉 (Cd)	六价铬 (Cr(VI))	多溴联苯 (PBB)	多溴二苯醚 (PBDE)
PCBA	×	○	○	○	○	○

本表格依据 SJ/T11364 的规定编制。

○表示该有害物质在该部件所有均质材料中的含量均在 GB/T26572 规定的限量要求以下。

×表示该有害物质至少在该部件的某一均质材料中的含量超出 GB/T26572 规定的限量要求。

咖啡机HD7685食品接触材料信息

请根据说明书要求正常使用本产品。

本产品食品接触用材料及部件符合GB 4806.1-

2016、以及相应食品安全国家标准要求，具体信息如下：

材质	用途	执行标准	备注	
玻璃	硼硅酸盐玻璃	玻璃壶	GB 4806.5-2016	
塑料	PP	外壳，滤框，滤框支架，分离式水箱，分离式水箱盖，盖子，勺子，单向阀，滤框杠杆，水箱阀，玻璃壶盖，玻璃壶手柄，水管连接件，花洒组件，限流器，出水管，盒身密封圈盖，过滤网支架	GB 4806.7-2016	使用温度不得高于100℃
	PESU	单向阀盒身	GB 4806.7-2016	使用温度不得高于100℃
	PET	过滤网	GB 4806.7-2016	使用温度不得高于100℃
金属	不锈钢06Cr19Ni10	弹弓	GB 4806.9-2016	
	铝合金3003	发热器	GB 4806.9-2016	不能直接接触强酸性食品
橡胶	硅胶	密封圈，水管	GB 4806.11-2016	产品不含有天然乳胶

备注

注1：产品不宜作为容器长期存储食品。

注2：本系列产品包含以上食品接触材料，部分机型可能不含个别材料，以实际产品为准！