

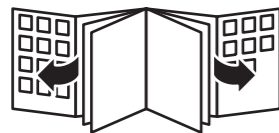
PHILIPS

HD6372, HD6371
HD6370

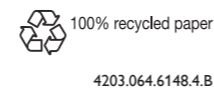


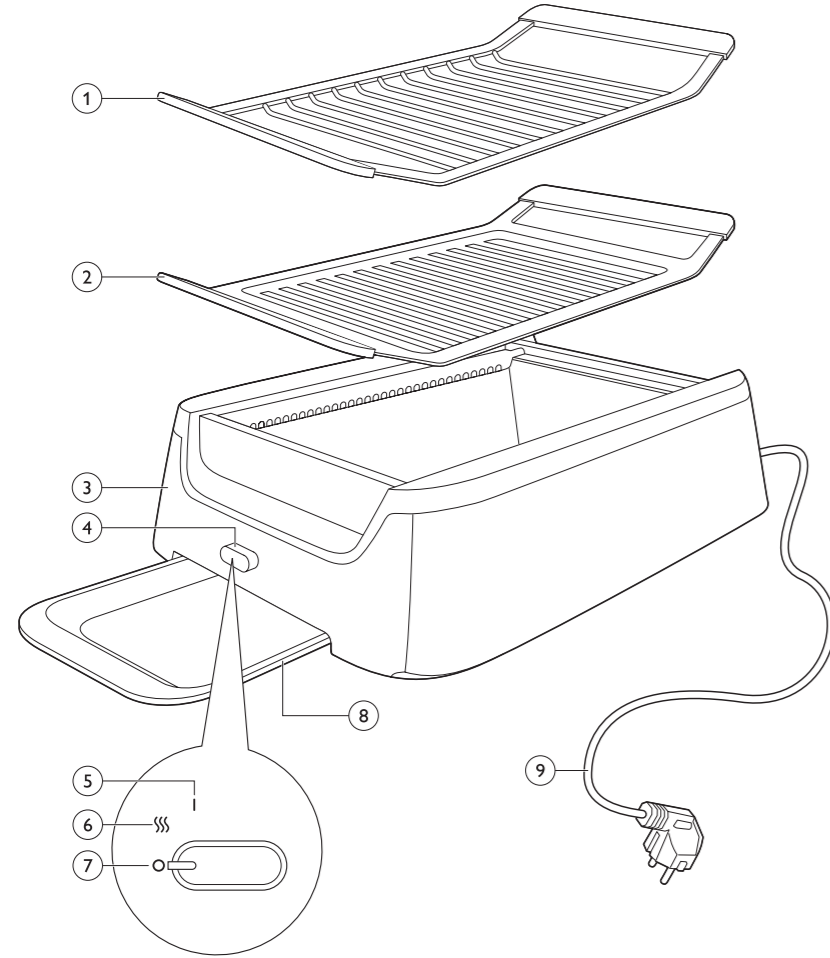
User manual
Brugervejledning
Εγχειρίδιο χρήσης
Käyttöopas

Brukerhåndbok
Användarhandbok
Kullanım kılavuzu



www.philips.com





1

		10
		12-16 min.
		8-15 min.
		14-16 min.
		12-15 min.
		10-15 min.
		22-26 min.
		15-16 min.
		12-18 min.
		12-14 min.
		12-16 min.
		16-18 min.
		6-15 min.
		14-16 min.
		8-15 min.
		2-5 min.

10

Temizleme masası (Şek. 14)**Geri dönüşüm**

- Bu simge, ürünün normal evsel atıklarla birlikte atılmaması gerektiği anlamına gelir (2012/19/EU) (Şek. 15).
- Elektrikli ve elektronik ürünlerin ayrı olarak toplanmasına ilişkin ülkenizde geçerli olan kurallara uyun. Bu işlemin doğru şekilde yapılması çevreyi ve insan sağlığını olumsuz etkileyecek sonuçların önlenmesine yardımcı olur.

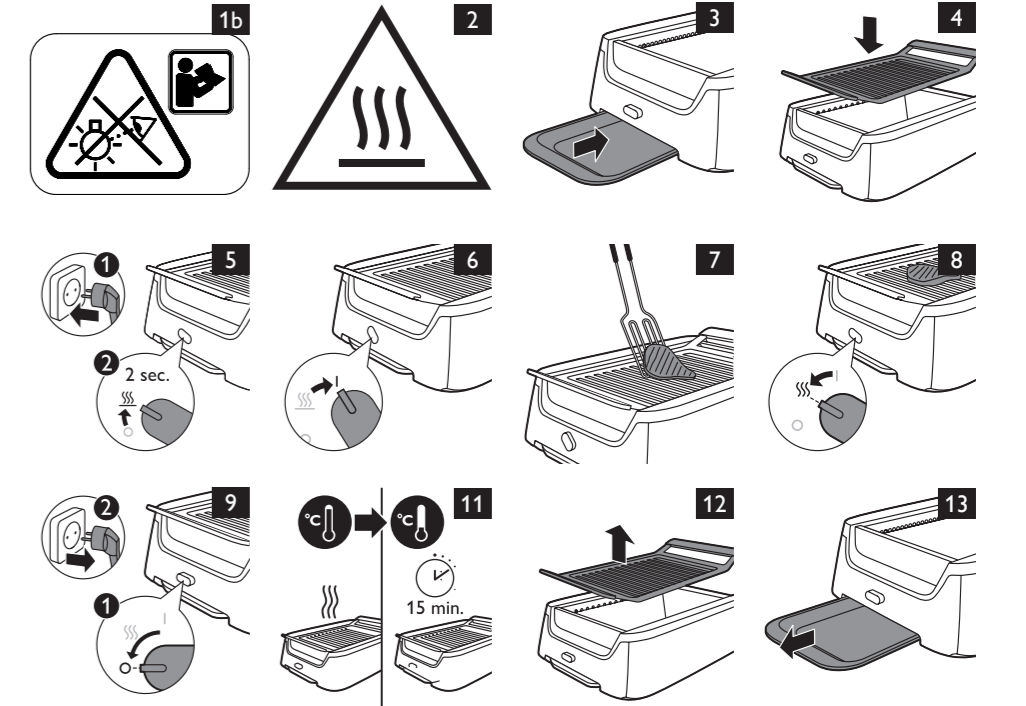
Garanti ve destek

Bilgi veya desteğe ihtiyaç duyarsanız lütfen www.philips.com/support adresini ziyaret edin veya dünya çapında garanti kitapçığını okuyun.

Sorun giderme

Bu bölüm, cihazda en sık karşılaşılabileceğiniz sorunları özetlemektedir. Sorunu aşağıdaki bilgilerle çözemezseniz sık sorulan sorular listesi için www.philips.com/support adresini ziyaret edin veya ülkenizdeki Müşteri Destek Merkezi ile iletişim kurun.

Sorun	Olası neden	Çözüm
Izgara yaparken etrafa duman yayılıyor.	Yağlı malzemeler pişiriyor olabilir.	Pastırma veya domuz gibi yağlı yiyecekleri pişirirken yiyeceklerden duman çıktığını görürsünüz. Çok fazla yağlı yiyecek pişirdiğinizde yağın bir kısmı ızgaranın kenarlarına sıçrayarak yanabilir. Böyle bir durumda cihazı aspiratör altında kullanın.
	Yiyecekleri ara vermeden pişiriyor, ancak yağ tepsisini ve/veya ızgarayı her bir partiden sonra temizlemiyor olabilirsiniz.	Izgarada veya damla tepsisi üzerinde kalan fazla yağ ve yemek sulan ya da artıkları yanmaya başlar; ızgarayı ve damla tepsisini her bir partiden sonra kağıt havluyla silin. Dikkatli olun: Izgara ve damla tepsisi sıcaktır ve kullanımdan sonra bir süre sıcak kalmaya devam eder. Bu kısımlara dokunurken finn eldiveni veya tencere tutacağı kullanın.
	Malzemelerinizi çok fazla yağ ile marine etmiş olabilirsiniz.	Dumanın sebebi yanmış yağdır. Yiyeceği çok fazla yağ ile marine ederseniz yiyekten bir miktar duman çıkar. Böyle bir durumda cihazı aspiratör altında kullanın. Az duman çıkması için yağ kullanmamanızı veya olabildiğince az yağ kullanmanızı öneririz.
Yiyecek, ızgara çubukları arasından damla tepsisi üzerine düşüyor.	Malzemeler çok küçük parçalar halinde kesilmiştir.	Parçaları çıkarmak için finn eldiveni veya tencere tutacağı kullanın ve damla tepsisini cihazdan çekip çıkarın. Tepsiyi geri yerleştirin. Pişirilecek malzemeleri çok küçük parçalar halinde kesmediğinizden emin olun. Kabak gibi büyük sebzeler dilimlenebilir; Mantar gibi küçük yiyecekler kesilmemeli veya ikiye kesilmelidir.



	×	×	✓
	✓	✓	✓

14

15

HD6372, HD6370

ENGLISH	6
DANSK	11
ΕΛΛΗΝΙΚΑ	16
SUOMI	22
NORSK	27
SVENSKA	32
TÜRKÇE	37

Introduction

Congratulations on your purchase and welcome to Philips! To fully benefit from the support that Philips offers, register your product at www.philips.com/welcome.

Your new grill with drip tray allows you to prepare all kinds of tasty food almost smoke-free. Grilling with this appliance is easy because of the large grilling surface.

General description (Fig. 1)

- 1 Grilling grid (HD6372 only)
- 2 Barbecue grid
- 3 Base
- 4 Control knob
- 5 On
- 6 Keep-warm
- 7 Off
- 8 Drip tray
- 9 Mains cord

Important

Read this important information carefully before you use the appliance and save it for future reference.

Danger

- Do not immerse the base in water or any other liquid.

Warning

- To prevent eye damage, do not look into the light of the lamp when it is on (Fig. 1b).
- Check if the voltage indicated on the bottom of the appliance corresponds to the local mains voltage before you connect the appliance.
- Only use the appliance for its intended purpose as described in this user manual.
- Do not use the appliance if the plug, the mains cord or the appliance itself is damaged.
- If the mains cord is damaged, you must have it replaced by Philips, a service centre authorised by Philips or similarly qualified persons in order to avoid a hazard.
- Only connect the appliance to an earthed wall socket.
- Keep the mains cord away from hot surfaces.
- Do not let the mains cord hang over the edge of the table or worktop on which the appliance stands.
- This appliance can be used by children aged from 8 years and above and persons with reduced physical, sensory or mental capabilities or lack of experience and knowledge if they have been given supervision or instruction concerning use of the appliance in a safe way and understand the hazards involved. Children shall not play with the

appliance. Cleaning and user maintenance shall not be made by children unless they are older than 8 years and supervised.

- Keep the appliance and its cord out of reach of children less than 8 years.
- Never let the appliance operate unattended.
- This appliance is not intended to be operated by means of an external timer or a separate remote-control system.
- Never leave a spatula or tongs on the grid when the grid is hot.

Caution

- Unplug the appliance if you have dropped it.
- Do not pour any liquids (e.g. brandy, beer or water) onto the grill, protection glass or drip tray, as this could cause fire.
- Before you switch on the grill, remove any objects on top of it and any flammable objects close to it.
- Do not place the grill on surfaces that may be affected by heat.
- Do not block any ventilation hole of the grill to avoid overheating of the appliance.
- Do not place any food or objects on the drip tray, when the grill is switched on.
- Do not place the appliance on or near a hot gas or electric burner, or on a heated oven.
- Put the appliance on a flat, stable surface with sufficient free space around it.
- Make sure that the drip tray is always in place during grilling.
- The accessible surfaces may become hot when the appliance is operating (Fig. 2).
- Be careful of spattering fat when you grill fatty meat or sausages.
- Always switch off and unplug the appliance after use.
- Always clean the appliance after use.
- Let the appliance cool down completely before you remove the grid and the drip tray, clean the appliance and put it away.
- Never touch the grid with sharp or abrasive items, as this damages the non-stick coating.
- This appliance is only intended for indoor use. Do not use it outdoors.
- This appliance is intended for normal household use only. It is not intended for use in environments such as staff kitchens of shops, offices, farms or other work environments. Nor is it intended to be used by clients in hotels, motels, bed and breakfasts and other residential environments.
- If the appliance is used improperly or for professional or semiprofessional purposes or if it is not used according to the instructions in the user manual, the guarantee becomes invalid and Philips refuses any liability for damage caused.

8 ENGLISH

- Do not use the device longer than 60 minutes with setting 'on' in a two hour period.
- Overheated fat or oil, fatty residues and rest of meat on grid and drip tray could ignite and start burning. Never leave the grill unattended. In case of oil- and fat-ignition never extinguish with water. Switch off the device and damp down a fire carefully with a fire blanket or a damp dish towel.
- Do not cover the grill with a pan or aluminum foil or cups during grilling, the system will become overheated and an automated thermo-switch, included in the device will switch off. In that case switch the device off and unplug it, wait for 10 minutes, plug in and switch it on again to continue.

Electromagnetic fields (EMF)

This Philips appliance complies with all applicable standards and regulations regarding exposure to electromagnetic fields.

Before first use

- 1** Remove any stickers and wipe the appliance with a damp cloth.
- 2** Clean the appliance and the grid thoroughly (see chapter 'Cleaning').

Using the appliance

Note: The appliance may produce some smoke when you use it for the first time. This is normal.

- 1** Slide the drip tray into the base (Fig. 3).

Note: The drip tray can only be slid into the base in one way.

- 2** Place the grilling grid (HD6372 only) or the barbecue grid on the base (Fig. 4).
- 3** Put the plug in the wall socket (1) and turn the control knob to the 'keep-warm' position for 2 seconds (2) (Fig. 5).
- 4** Turn the control knob to the 'on' position (Fig. 6).
 - ▶ HD6372: The grilling grid is hot and ready for use right away.
 - ▶ It takes 6-7 minutes for the barbecue grid to heat up.
- 5** Use a spatula or a pair of tongs to place the ingredients on the grid (Fig. 7).

Be careful: the grid is hot!

Note: When you marinate your food, only use little oil and brush the marinade lightly onto the food as the oil causes extra smoke.

- ▶ Barbecue grid only: during the grilling process, you hear the sizzling sound that is typical for barbecuing.

Note: The grilling time depends on the thickness and size of the food and may vary.

Note: If you grill very fatty ingredients, you will still notice some smoke coming off the food, but much less than with a conventional electric table grill.

- 6** When the food is done, remove it from the grid or turn the control knob to the keep-warm position if you want to eat the food later. (Fig. 8)

Use a spatula or a pair of tongs to remove the food. Do not use metal, sharp or abrasive kitchen utensils.

- 7** Loosen any caked food or grease carefully with a spatula and remove excess oil from the drip tray before you grill the next batch of food.
- 8** To continue grilling, place the next batch of food on the grid.
- 9** When you have finished grilling, switch off the appliance (1) and remove the plug from the wall socket (2). (Fig. 9)

Grilling times (Fig. 10)

In the food table you find some types of food you can cook on this table grill. The table shows how long the food has to be grilled (not including any heating up time for the appliance). The grilling time and temperature depend on the type of food that you prepare (e.g. meat), its thickness and its temperature and also on your own taste.

Tips

- Tender pieces of meat are best suited for grilling.
- Pieces of meat such as steaks become more tender if marinated overnight.
- Turn the food only once with a spatula or a pair of tongs to ensure that it remains juicy inside and does not dry out. Do not use any metal tools like forks or grill tongs as they damage the non-stick coating of the grids.
- Do not turn the grilled food too frequently.
- When you make satay or kebab, soak bamboo or wooden skewers in water to prevent them from getting scorched during grilling. Do not use metal skewers.
- Sausages tend to burst when they are being grilled. To prevent this, cut the skin a few times lengthwise.
- Fresh meat gives better grilling results than frozen or defrosted meat. Do not put salt on the meat until after you have grilled it. This helps to keep the meat juicy. For the best result, make sure the pieces of meat you prepare are not too thick (approx. 1.5cm).

This table grill is not suitable for grilling breadcrumbed food.

Cleaning and maintenance

Never use abrasive cleaning agents and materials, as this damages the non-stick coating of the grids.

- 1** Set the control knob to the off position and unplug the appliance (Fig. 9).
 - 2** Let the appliance cool down for 15 minutes (Fig. 11).
 - 3** Remove excess oil from the grid with a piece of kitchen paper before you remove the grid for cleaning.
 - 4** Lift the grid from the base by its handgrips (Fig. 12).
 - 5** Slide the drip tray out of the base (Fig. 13).
- Note: The drip tray can only be slid out of the base in one way.*
- 6** Soak the grid and the drip tray in hot water with some washing-up liquid for five minutes or drizzle some lemon juice onto the grid. This loosens any caked food or grease.
 - 7** Clean the base with a damp cloth.
 - 8** Clean the grid and the drip tray with a soft cloth or sponge in hot water with some washing-up liquid or in the dishwasher.
 - 9** Dry the grid and drip tray.
 - 10** Reassemble the appliance.

Note: See the separate cleaning table for further instructions.

Maintenance tip:

- For caked food residues on the glass walls inside the device, you can use a scraper to remove the residues.

10 ENGLISH

- Never use the scraper for cleaning the grid.
- After your device has cooled down (15 minutes after use), use a moist cloth and some detergent to clean the metal walls in the inner side of the device. Be careful when using a scraper for metal surfaces, scratches may occur. Please note, that scratches on the metal walls have no negative influence on the function of the device.

Cleaning table (Fig. 14)

Recycling

- This symbol means that this product shall not be disposed of with normal household waste (2012/19/EU) (Fig. 15).
- Follow your country's rules for the separate collection of electrical and electronic products. Correct disposal helps prevent negative consequences for the environment and human health.

Guarantee and support

If you need information or support, please visit www.philips.com/support or read the separate worldwide guarantee leaflet.

Troubleshooting

This chapter summarises the most common problems you could encounter with the appliance. If you are unable to solve the problem with the information below, visit www.philips.com/support for a list of frequently asked questions or contact the Consumer Care Centre in your country.

Problem	Possible cause	Solution
Smoke is emitted during grilling.	You are grilling fatty ingredients.	When you grill fatty ingredients like bacon or pork belly, you may notice some smoke coming off the food. When you grill a lot of fatty ingredients, some of the fat will splash onto the sides of the grilling elements and burn. In this case, use the appliance under the extraction hood.
	You are grilling several batches after each other; but you have not cleaned the grease tray and/ or the grid after each batch.	Excess oil and food juices or food residues that remain on the grid and in the drip tray will start burning. Make sure you wipe the grid and drip tray with paper kitchen towels after each batch of grilled ingredients. Be careful: the grid and drip tray are hot during and some time after use. Use oven mitts or pot holders when you handle these parts.
	You marinated your ingredients with a lot of oil.	The smoke is caused by burning fat. If you marinate your food with too much oil, some smoke will come off the food. In this case, use the appliance under the extraction hood. To keep smoke production to a minimum, we advise you to use no oil or as little oil as possible.
Food falls through the grid bars onto the drip tray.	The ingredients are cut in too small pieces.	To remove the pieces, wear oven mitts or pot holders and slide the drip tray out of the appliance. Insert the drip tray again. Make sure that you do not cut the ingredients to be grilled into too small pieces. Large vegetables like zucchini can be cut into slices. Small food items like mushrooms should not be cut or only be cut in half.

Introduktion

Tillykke med dit køb og velkommen til Philips! For at få fuldt udbytte af den support, Philips tilbyder, skal du registrere dit produkt på www.philips.com/welcome.

Din nye grill med drypbakke gør det muligt at tilberede alle mulige former for lækker mad næsten uden røg. Det er nemt at grille med dette apparat pga. den store grill-overflade.

Generel beskrivelse (fig. 1)

- 1 Grillrist (kun til HD6372)
- 2 Barbecuerist
- 3 Basisenhed
- 4 Kontrolknop
- 5 On (tændt)
- 6 Hold varm
- 7 Off (slukket)
- 8 Drypbakke
- 9 Netledning

Vigtigt

Læs disse vigtige oplysninger omhyggeligt igennem, inden apparatet tages i brug, og gem dem til eventuel senere brug.

Fare

- Kom ikke basisenheden ned i vand eller anden væske.

Advarsel

- For at undgå øjenskader må du ikke se ind i lyset, når lampen er tændt (fig. 1b).
- Kontrollér, om spændingsangivelsen i bunden af apparatet svarer til den lokale netspænding, før du slutter strøm til apparatet.
- Brug kun apparatet til det tilsigtede formål som beskrevet i denne brugervejledning.
- Brug aldrig apparatet, hvis netstik, netledning eller selve apparatet er beskadiget.
- Hvis netledningen beskadiges, må den kun udskiftes af Philips, et autoriseret Philips-serviceværksted eller en tilsvarende kvalificeret fagmand for at undgå enhver risiko.
- Apparatet må kun sluttes til en stikkontakt med jordforbindelse.
- Sørg for, at netledningen ikke kommer i berøring med varme flader.
- Lad aldrig ledningen hænge ud over kanten af det bord eller den plads, som apparatet står på.
- Dette apparat kan bruges af børn fra 8 år og op og personer med reducerede fysiske, sensoriske eller mentale evner eller manglende viden eller erfaring, hvis de er blevet vejledt eller instrueret i brug af apparatet på en sikker måde og forstår de involverede risici. Børn må ikke lege med apparatet. Rengøring og brugervedligeholdelse må ikke foretages af børn, medmindre de er ældre end 8 år og under opsyn.

12 DANSK

- Hold apparatet og dets ledning uden for rækkevidde af børn under 8 år.
- Lad aldrig apparatet køre uden opsyn.
- Dette apparat er ikke beregnet til at blive betjent af en ekstern timer eller et separat fjernbetjeningssystem.
- Lad aldrig en spatel eller madtang ligge på risten, når risten er varm.

Forsigtig

- Tag stikket ud af stikkontakten, hvis du taber apparatet.
- Hæld ikke væske (f.eks. cognac, øl eller vand) på grillen, beskyttelsesglasset eller i drypbakken, da dette kan forårsage brand.
- Før du tænder for grillen, fjernes eventuelle genstande oven på den og eventuelle brændbare genstande tæt på den.
- Undlad at placere grillen på overflader, der kan påvirkes af varmen.
- For at undgå overophedning af apparatet må ventilationsåbninger i grillen ikke tildækkes.
- Anbring ikke mad eller genstande på drypbakken, når grillen er tændt.
- Placer ikke apparatet på eller i nærheden af en varm gas- eller elbrænder eller på en varm ovn.
- Anbring apparatet på et fladt og stabilt underlag, og sørg for, at der er tilstrækkeligt med fri plads omkring det.
- Sørg for, at drypbakken altid bruges, når der grilles.
- Ydersiden kan blive varm, når apparatet er i brug (fig. 2).
- Pas på fedtsprøjt, når du tilbereder kød med højt fedtindhold eller pølser.
- Sluk altid for apparatet efter brug, og tag stikket ud af stikkontakten.
- Rengør altid apparatet efter brug.
- Lad apparatet køle helt af, før du fjerner risten og drypbakken, rengør apparatet og stiller det væk.
- Undlad at berøre risten med skarpe eller ridsende genstande, da det kan beskadige slip-let-belægningen.
- Apparatet er udelukkende beregnet til indendørs brug. Det må ikke anvendes udendørs.
- Dette apparat er kun beregnet til normal anvendelse i hjemmet. Det er ikke beregnet til brug i miljøer som personalekøkkener i butikker, på kontorer, på gårde eller andre arbejdspladser. Det er heller ikke beregnet til brug af gæster på hoteller, moteller, på bed and breakfasts eller i andre værelser til udlejning.
- Hvis apparatet anvendes forkert eller til professionelle eller semiprofessionelle formål eller på en måde, der ikke er i overensstemmelse med brugervejledning, bortfalder garantien og dermed Philips' ansvar for eventuelle skader.
- Brug ikke apparatet længere end 60 minutter med indstillingen "ON" inden for en periode på to timer.

- Overophedet fedt eller olie, fedtresten og rester af kød på rist og drypbakke kan antændes og begynde at brænde. Efterlad aldrig grillen uden opsyn. I tilfælde af antændelse af olie og fedt må du aldrig slukke det med vand. Sluk for apparatet, og sluk en brand omhyggeligt med et brandtæppe eller et fugtigt viskestykke.
- Dæk ikke grillen med en grillpande eller alufolie eller kopper, mens du griller, da det overopheder systemet, og en automatisk termokontakt indbygget i enheden slukker for enheden. Hvis dette sker, skal du slukke for enheden og tage stikket ud, vente i 10 minutter, sætte stikket i stikkontakten og tænde for enheden igen for at fortsætte.

Elektromagnetiske felter (EMF)

Dette Philips-apparat overholder alle branchens gældende standarder og regler angående eksponering for elektromagnetiske felter.

Før apparatet tages i brug

- 1 Fjern eventuelle klistermærker, og tør apparatet af med en fugtig klud.
- 2 Rengør apparatet og risten grundigt (se afsnittet "Rengøring").

Sådan bruges apparatet

Bemærk: Apparatet ryger måske en lille smule, når det tages i brug første gang. Dette er helt normalt.

- 1 Skub drypbakken ind i basisenheden (fig. 3).

Bemærk: Drypbakken kan kun skubbes ind i basisenheden på én måde.

- 2 Placer grillristen (kun til HD6372) eller barbecueristen på basisenheden (fig. 4).
- 3 Sæt stikket i stikkontakten (1), og drej kontrollknappen til "Hold varm"-indstillingen i 2 sekunder (2) (fig. 5).
- 4 Drej kontrollknappen til indstillingen "on" (fig. 6).
 - HD6372: Grillristen er varm og klar til brug med det samme.
 - Det tager 6-7 minutter at varme barbequegrillen op.
- 5 Brug en spatel eller en madtang til at lægge ingredienserne på risten (fig. 7).

Vær forsigtig: Risten er varm!

Bemærk: Når maden marineres, må du kun bruge en lille smule olie til at pensle marinaden let på maden, da olien skaber ekstra røg.

● Kun for barbecueriste: Under grilltilberedningen høres den typiske, hvislende lyd fra grilningen.

Bemærk: Grilningstiden afhænger af tykkelsen og størrelsen af maden og kan variere.

Bemærk: Hvis du griller ingredienser med et højt fedtindhold, vil du opleve en del røg fra maden, men meget mindre end med en almindelig elektrisk bordgrill.

- 6 Når maden er færdig, fjernes den fra risten, eller kontrollknappen drejes til hold varm-indstillingen, hvis du vil spise maden senere. (fig. 8)

Brug en spatel eller madtang til at tage maden af med. Brug ikke køkkenredskaber af metal eller skarpe eller ridsende redskaber.

- 7 Madrester og fedt løses forsigtigt med en spatel, og overskydende olie fjernes fra drypbakken, før du griller næste portion mad.
- 8 Anbring den næste portion mad på risten for at fortsætte grilningen.
- 9 Når du er færdig med at grille, skal du slukke for apparatet (1) og tage stikket ud af stikkontakten (2). (fig. 9)

14 DANSK

Tilberedningstider (fig. 10)

I madtabellen findes nogle typer madvarer, der kan tilberedes på denne bordgrill. Tabellen viser, hvor længe maden skal grilles (ud over apparatets opvarmningstid). Grilningstiden og -temperaturen afhænger af, hvilken type mad der tilberedes (f.eks. kød), dens tykkelse og temperatur, samt smag og behag.

Gode råd

- Møre stykker kød er mest velegnede til grilning.
- Kødstykker som f.eks. bøffer bliver mere møre, hvis de marineres natten over.
- Vend kun maden én gang med en spatel eller madtang for at sikre, at den forbliver saftig indvendig og ikke bliver tør. Brug ikke metalgenstande som f.eks. gafler eller grilltænger, da dette vil beskadige ristens slip-let-belægning.
- Vend ikke maden for ofte under grilningen.
- Når du tilbereder marineret kød eller kebab, skal du lægge bambus- eller træspydene i vand for at undgå, at de bliver svedne under grilningen. Brug aldrig metalspyd.
- Pølser har tendens til at sprække, når de grilles. Dette kan undgås ved at skære skinnet et par gange på langs.
- Du opnår bedre resultater med friskt kød end med frossent eller optøet kød. Vent med at komme salt på kødet, til det er grillet, så forbliver kødet saftigt. For at opnå de bedste resultater skal du sørge for, at de kødstykker, du tilbereder, ikke er for tykke (ca. 1,5 cm).

Denne bordgrill er ikke egnet til tilberedning af panerede madvarer.

Rengøring og vedligeholdelse

Brug aldrig skrappe rengørings- eller skuremidler, da dette beskadiger ristens slip-let-belægning.

- 1 Drej kontrolknappen til off-indstillingen, og tag stikket ud af stikkontakten (fig. 9).
 - 2 Lad apparatet køle af i 15 minutter (fig. 11).
 - 3 Tør overskydende olie af risten med et stykke køkkenrulle, inden risten tages ud og rengøres.
 - 4 Løft risten ud af basisenheden ved hjælp af håndtagene (fig. 12).
 - 5 Træk drypbakken ud af basisenheden (fig. 13).
- Bemærk: Drypbakken kan kun trækkes ud af basisenheden på én måde.*
- 6 Sæt risten og drypbakken i blød i varmt vand med opvaskemiddel i fem minutter, eller pres citronsaft ud over risten. Derved opløses madrester og fedt.
 - 7 Rengør basisenheden med en fugtig klud.
 - 8 Rengør risten og drypbakken med en blød klud eller svamp i varmt vand tilsat lidt opvaskemiddel eller i opvaskemaskinen.
 - 9 Tør risten og drypbakken.
 - 10 Sæt apparatet sammen igen.

Bemærk: Det separate rengøringskema indeholder yderligere oplysninger.

Råd om vedligeholdelse:

- Hvis der er madrester på glasvæggene på indersiden af enheden, kan du bruge en skraber til at fjerne resterne.
- Brug aldrig skraber til rengøring af risten.
- Når enheden er kølet ned (15 min. efter brug), skal du bruge en fugtig klud og lidt opvaskemiddel til at rengøre metalvæggene på indersiden af enheden. Pas på, når du bruger en skraber på metaloverflader, da det kan lave ridser. Bemærk, at ridser på metalvæggene ikke har negativ indflydelse på enhedens funktion.

Rengøringskema (fig. 14)

Genanvendelse

- Dette symbol betyder, at dette produkt ikke må bortskaffes sammen med almindeligt husholdningsaffald (2012/19/EU) (fig. 15).
- Følg dit lands regler for særskilt indsamling af elektriske og elektroniske produkter: Korrekt bortskaffelse er med til at forhindre negativ påvirkning af miljø og helbred.

Reklamationsret og support

Hvis du har brug for hjælp eller support, bedes du besøge www.philips.com/support eller læse i den separate folder "World-Wide Guarantee".

Fejlfinding

Dette kapitel opsummerer de mest almindelige problemer, der kan forekomme ved brug af apparatet. Har du brug for yderligere hjælp og vejledning, så besøg www.philips.com/support for en liste af ofte stillede spørgsmål eller kontakt dit lokale Philips Kundecenter.

Problem	Mulig årsag	Løsning
Der opstår røg under grillningen.	Du griller kød med et højt fedtindhold.	Når du griller ingredienser med et højt fedtindhold som f.eks. bacon eller brystflæsk, vil du kunne opleve, at der kommer lidt røg fra maden. Når du griller mange ingredienser med højt fedtindhold, vil noget af fedtet sprøjte ud på grillelementernes sider og brænde. Hvis det er tilfældet, skal apparatet bruges under emhætten.
	Du griller flere portioner efter hinanden, men du har ikke rengjort drypbakken og/eller risten efter hver portion.	Overskydende olie og saft fra maden eller madrester, der sidder tilbage på risten og i drypbakken, begynder at brænde. Sørg for at tørre risten og drypbakken med papirkøkkenruller efter hver portion grillede ingredienser. Vær forsigtig: Risten og drypbakken er varme under brug og et stykke tid derefter. Brug grydelapper eller grydeholdere, når du håndterer disse dele.
	Du har marineret dine ingredienser med en masse olie.	Røgen skyldes brændende fedt. Hvis du marinerer maden med for meget olie, vil der opstå røg fra maden. Hvis det er tilfældet, kan du bruge apparatet under emhætten. For at holde røgudviklingen nede på et minimum, anbefaler vi, at du ikke bruger olie eller så lidt olie som muligt.
Maden falder igennem ristestængerne og ned på drypbakken.	Ingredienserne er skåret i for små stykker.	Brug grydelapper eller grydeholdere, og træk drypbakken ud af apparatet for at fjerne stykkerne. Sæt drypbakken i igen. Sørg for ikke at skære de ingredienser, der skal grilles, i for små stykker. Store grøntsager, som f.eks. squash, kan skæres i skiver. Små madstykker, som f.eks. champignoner, bør ikke skæres ud, eller kun skæres i halve.

Εισαγωγή

Συγχαρητήρια για την αγορά σας και καλώς ήρθατε στη Philips! Για να επωφεληθείτε πλήρως από την υποστήριξη που παρέχει η Philips, δηλώστε το προϊόν σας στην ιστοσελίδα www.philips.com/welcome.

Η νέα σας ψησιέρα με δίσκο περισυλλογής υγρών σας επιτρέπει να προετοιμάζετε κάθε είδους νόστιμο φαγητό χωρίς καπνό. Το ψήσιμο με αυτή τη συσκευή είναι εύκολο χάρη στη μεγάλη επιφάνεια ψήσιματος.

Γενική περιγραφή (Εικ. 1)

- 1 Σχάρα ψήσιματος (μόνο στον τύπο HD6372)
- 2 Σχάρα μπάρμπεκιου
- 3 Βάση
- 4 Διακόπτης
- 5 Ενεργό
- 6 Διατήρηση θερμοκρασίας
- 7 Ανενεργό
- 8 Δίσκος περισυλλογής υγρών
- 9 Καλώδιο ρεύματος

Σημαντικό!

Διαβάστε αυτές τις σημαντικές πληροφορίες προσεκτικά πριν χρησιμοποιήσετε τη συσκευή και φυλάξτε τις για μελλοντική αναφορά.

Κίνδυνος

- Μην βυθίζετε τη βάση σε νερό ή σε οποιοδήποτε άλλο υγρό.

Προειδοποίηση

- Προκειμένου να αποφευχθεί βλάβη στα μάτια, μην κοιτάζετε το φως της λάμπας όταν αυτή είναι αναμμένη (Εικ. 1b).
- Ελέγξτε εάν η τάση που αναγράφεται στο κάτω μέρος της συσκευής αντιστοιχεί στην τοπική τάση ρεύματος προτού συνδέσετε τη συσκευή.
- Να χρησιμοποιείτε τη συσκευή αποκλειστικά για το σκοπό για τον οποίο προορίζεται, όπως περιγράφεται στο παρόν εγχειρίδιο χρήσης.
- Μην χρησιμοποιείτε τη συσκευή εάν το φιν, το καλώδιο ή η ίδια η συσκευή έχει υποστεί φθορά.
- Εάν το καλώδιο υποστεί φθορά, θα πρέπει να αντικατασταθεί από ένα κέντρο σέρβις εξουσιοδοτημένο από τη Philips ή από εξίσου εξειδικευμένα άτομα προς αποφυγή κινδύνου.
- Συνδέετε τη συσκευή μόνο σε πρίζα με γείωση.
- Κρατάτε το καλώδιο μακριά από ζεστές επιφάνειες.
- Μην αφήνετε το καλώδιο να κρέμεται από την άκρη του τραπεζιού ή του πάγκου πάνω στον οποίο έχετε τοποθετήσει τη συσκευή.
- Αυτή η συσκευή μπορεί να χρησιμοποιηθεί από παιδιά ηλικίας 8 ετών και άνω, καθώς και από άτομα με περιορισμένες σωματικές, αισθητήριες ή διανοητικές ικανότητες ή χωρίς εμπειρία και γνώση, με την προϋπόθεση ότι τη χρησιμοποιούν υπό επίβλεψη ή έχουν

λάβει οδηγίες σχετικά με την ασφαλή της χρήση και κατανοούν τους ενεχόμενους κινδύνους. Τα παιδιά δεν πρέπει να παίζουν με τη συσκευή. Τα παιδιά δεν πρέπει να καθαρίζουν τη συσκευή ή να εκτελούν διεργασίες συντήρησης, εκτός και αν είναι μεγαλύτερα από 8 ετών και επιβλέπονται.

- Διατηρήστε τη συσκευή και το καλώδιό της μακριά από παιδιά ηλικίας κάτω από 8 ετών.
- Μην αφήνετε ποτέ τη συσκευή να λειτουργεί χωρίς επίβλεψη.
- Αυτή η συσκευή δεν προορίζεται για χρήση μέσω εξωτερικού χρονοδιακόπτη ή ξεχωριστού συστήματος τηλεχειρισμού.
- Μην αφήνετε ποτέ σπάτουλες ή λαβίδες όταν η σχάρα είναι ζεστή.

Προσοχή

- Αν ρίξατε κάτω τη συσκευή, αποσυνδέστε την από την πρίζα.
- Μην ρίχνετε υγρά (π. χ. μπράντι, μπύρα ή νερό) πάνω στη ψηστιέρα, στο προστατευτικό γυαλί ή στο δίσκο περισυλλογής υγρών, καθώς μπορεί να προκληθεί φωτιά.
- Πριν ενεργοποιήσετε την ψηστιέρα, αφαιρέστε τυχόν αντικείμενα από πάνω της και τυχόν εύφλεκτα αντικείμενα που βρίσκονται κοντά της.
- Μην τοποθετείτε την ψηστιέρα σε επιφάνειες που ενδέχεται να επηρεαστούν από την θερμότητα.
- Μην καλύπτετε τις οπές εξαερισμού της ψηστιέρας, ώστε να αποφύγετε τυχόν υπερθέρμανση της συσκευής.
- Μην τοποθετείτε τρόφιμα ή αντικείμενα στο δίσκο περισυλλογής υγρών όταν η ψηστιέρα είναι ενεργοποιημένη.
- Μην τοποθετείτε τη συσκευή πάνω ή κοντά σε ζεστά αέρια, ηλεκτρικά μάτια ή σε ζεστό φούρνο.
- Τοποθετείτε τη συσκευή σε επίπεδη, σταθερή επιφάνεια με αρκετό ελεύθερο χώρο γύρω της.
- Φροντίστε ο δίσκος περισυλλογής υγρών να βρίσκεται πάντα στη θέση του κατά τη διάρκεια του ψησίματος.
- Οι προσβάσιμες επιφάνειες μπορεί να ζεσταθούν πολύ όταν η συσκευή είναι σε λειτουργία (Εικ. 2).
- Προσέχετε το πιτσίλισμα λίπους όταν ψήνετε κρέας με λίπος ή λουκάνικα.
- Να απενεργοποιείτε και να αποσυνδέετε πάντα τη συσκευή μετά τη χρήση.
- Να καθαρίζετε πάντα τη συσκευή μετά από κάθε χρήση.
- Αφήστε τη συσκευή να κρυώσει εντελώς πριν αφαιρέσετε τη σχάρα και το δίσκο περισυλλογής υγρών. Στη συνέχεια καθαρίστε τη συσκευή και αποθηκεύστε την.

18 ΕΛΛΗΝΙΚΑ

- Μην αγγίζετε ποτέ τη σχάρα με αιχμηρά ή διαβρωτικά αντικείμενα, καθώς φθείρεται η αντικολλητική επιφάνεια.
- Η συσκευή προορίζεται για χρήση μόνο σε εσωτερικό χώρο. Μην τη χρησιμοποιείτε σε εξωτερικό χώρο.
- Αυτή η συσκευή προορίζεται μόνο για φυσιολογική οικιακή χρήση. Δεν προορίζεται για χρήση σε περιβάλλοντα όπως κουζίνες προσωπικού σε καταστήματα, γραφειακούς χώρους, φάρμες ή λοιπούς χώρους εργασίας. Επίσης δεν προορίζεται για χρήση από πελάτες σε ξενοδοχεία, μοτέλ, πανδοχεία και λοιπούς οικιστικούς χώρους.
- Αν η συσκευή χρησιμοποιηθεί με μη ενδεδειγμένο τρόπο ή για επαγγελματικούς ή ημιεπαγγελματικούς σκοπούς ή αν δεν χρησιμοποιηθεί σύμφωνα με τις οδηγίες του εγχειριδίου χρήσης, η εγγύηση καθίσταται άκυρη και η Philips θα αποποιηθεί οποιασδήποτε ευθύνης για τυχόν βλάβες που θα προκληθούν.
- Μην χρησιμοποιείτε τη συσκευή ενώ αυτή είναι ενεργοποιημένη για περισσότερο από 60 λεπτά σε μια περίοδο δύο ωρών.
- Τυχόν λίπος ή λάδι που έχει υπερθερμανθεί, λιπαρά υπολείμματα και υπολείμματα κρέατος στη σχάρα και το δίσκο περισυλλογής υγρών μπορούν να αναφλεχθούν και να ξεκινήσουν να καίγονται. Μην αφήνετε ποτέ την ψηστιέρα χωρίς επίβλεψη. Σε περίπτωση ανάφλεξης λαδιού και λίπους, μην χρησιμοποιήσετε σε καμία περίπτωση νερό για να σβήσετε τη φωτιά. Απενεργοποιήστε τη συσκευή και σβήστε τη φωτιά καλύπτοντας προσεκτικά την εστία με μια κουβέρτα πυρόσβεσης ή μια νωπή πετσέτα.
- Μην καλύπτετε την ψηστιέρα με ένα τηγάνι, με αλουμινόχαρτο ή κύπελλα κατά τη διάρκεια του ψησίματος, διαφορετικά το σύστημα θα υπερθερμανθεί και ένας αυτοματοποιημένος διακόπτης θερμοκρασίας, ο οποίος περιλαμβάνεται στη συσκευή, θα απενεργοποιηθεί. Σε αυτήν την περίπτωση απενεργοποιήστε τη συσκευή και αποσυνδέστε την από την πρίζα, περιμένετε 10 λεπτά και, στη συνέχεια, συνδέστε ξανά τη συσκευή στην πρίζα και θέστε την και πάλι σε λειτουργία για να συνεχίσετε.

Ηλεκτρομαγνητικά Πεδία (EMF)

Η συγκεκριμένη συσκευή της Philips συμμορφώνεται με όλα τα ισχύοντα πρότυπα και τους κανονισμούς σχετικά με την έκθεση σε ηλεκτρομαγνητικά πεδία.

Πριν την πρώτη χρήση

- 1** Αφαιρέστε τυχόν αυτοκόλλητα και σκουπίστε τη συσκευή με ένα υγρό πανί.
- 2** Καθαρίστε καλά τη συσκευή και τη σχάρα (δείτε κεφάλαιο “Καθαρισμός”).

Χρήση της συσκευής

Σημείωση: Η συσκευή μπορεί να βγάλει λίγο καπνό όταν τη χρησιμοποιήσετε για πρώτη φορά. Αυτό είναι φυσιολογικό.

- 1** Τοποθετήστε το δίσκο περισυλλογής υγρών στη βάση σύροντάς τον (Εικ. 3).
Σημείωση: Ο δίσκος περισυλλογής υγρών μπορεί να τοποθετηθεί στη βάση μόνο με ένα τρόπο.
- 2** Τοποθετήστε τη σχάρα ψησίματος (μόνο στον τύπο HD6372) ή τη σχάρα μπάρμπεκιου στη βάση (Εικ. 4).
- 3** Συνδέστε το φινι στην πρίζα (1) και γυρίστε το διακόπτη ελέγχου στη θέση “διατήρηση θερμοκρασίας” για 2 δευτερόλεπτα (2) (Εικ. 5).
- 4** Γυρίστε το διακόπτη ελέγχου στη θέση ενεργοποίησης (Εικ. 6).
 - ▶ HD6372: Η σχάρα ψησίματος είναι ζεστή και έτοιμη για άμεση χρήση.
 - ▶ Θα χρειαστούν 6-7 λεπτά για να προθερμανθεί η σχάρα μπάρμπεκιου.
- 5** Χρησιμοποιήστε μια σπάτουλα ή μια λαβίδα για να τοποθετήσετε τα υλικά πάνω στη σχάρα (Εικ. 7).

Προσοχή: Η σχάρα είναι ζεστή!

Σημείωση: Όταν μαρινάρετε τρόφιμα, μην χρησιμοποιείτε πολύ λάδι και αλείψτε ελαφρά τη μαρινάδα πάνω στα τρόφιμα, καθώς το λάδι προκαλεί επιπλέον καπνό.

- ▶ Μόνο για τη σχάρα μπάρμπεκιου: κατά τη διάρκεια του ψησίματος στο μπάρμπεκιου, ακούγεται ο χαρακτηριστικός ήχος από τα κάρβουνα που καίνε.

Σημείωση: Ο χρόνος ψησίματος εξαρτάται από το πάχος και το μέγεθος των τροφίμων και μπορεί να διαφέρει.

Σημείωση: Αν ψήνετε φαγητά με υψηλή περιεκτικότητα σε λιπαρά, θα παρατηρήσετε ότι εξακολουθεί να βγαίνει λίγος καπνός από το φαγητό, αλλά πολύ λιγότερος σε σχέση με τις συμβατικές ηλεκτρικές επιτραπέζιες ψηστιέρες.

- 6** Όταν το φαγητό είναι έτοιμο, αφαιρέστε το από τη σχάρα ή γυρίστε το διακόπτη ελέγχου στη θέση διατήρησης θερμοκρασίας για να το κρατήσετε ζεστό για αργότερα. (Εικ. 8)

Χρησιμοποιήστε μια σπάτουλα ή μια λαβίδα για να αφαιρέσετε το φαγητό. Μην χρησιμοποιείτε μεταλλικά, αιχμηρά ή διαβρωτικά σκεύη κουζίνας.

- 7** Ξεκollήστε προσεκτικά τα καμένα υπολείμματα τροφών με μια σπάτουλα και αφαιρέστε το λάδι από το δίσκο περισυλλογής υγρών πριν ψήσετε την επόμενη ποσότητα φαγητού.
- 8** Για να συνεχίσετε το ψήσιμο, τοποθετήστε την επόμενη ποσότητα φαγητού πάνω στη σχάρα.
- 9** Όταν ολοκληρώσετε το ψήσιμο, απενεργοποιήστε τη συσκευή (1) και αφαιρέστε το φινι από την πρίζα (2). (Εικ. 9)

Χρόνοι ψησίματος (Εικ. 10)

Στον πίνακα τροφίμων θα βρείτε ορισμένα είδη τροφίμων που μπορείτε να μαγειρέψετε σε αυτήν την επιτραπέζια ψηστιέρα. Στον πίνακα εμφανίζεται η συνιστώμενη διάρκεια ψησίματος των φαγητών (δεν περιλαμβάνεται ο χρόνος προθέρμανσης της συσκευής). Ο χρόνος ψησίματος και η θερμοκρασία εξαρτώνται από το είδος των τροφίμων που θα ψήσετε (π.χ. κρέας), από το πάχος και τη θερμοκρασία τους, καθώς και από τις δικές σας προτιμήσεις.

Συμβουλές

- Τα πιο τρυφερά κομμάτια κρέας είναι ιδανικότερα για ψήσιμο.
- Τα κομμάτια κρέατος, όπως οι μπριζόλες, γίνονται πιο τρυφερά αν τα μαρινάρετε από το προηγούμενο βράδυ.
- Γυρίστε τα τρόφιμα μόνο μία φορά με τη σπάτουλα ή τη λαβίδα, ώστε να διατηρήσουν τους χυμούς και να μην στεγνώσουν. Μην χρησιμοποιείτε μεταλλικά σκεύη όπως πιρούνια ή λαβίδες, γιατί φθείρουν την αντικολητική επίστρωση της σχάρας.
- Μην γυρίζετε πολύ συχνά τα ψημένα τρόφιμα.
- Όταν μαγειρεύετε σουβλάκια ή κεμπάπι, μουλιάστε τα καλαμάκια από μπαμπού ή ξύλο σε νερό ώστε να μην καούν κατά τη διάρκεια του ψησίματος. Μην χρησιμοποιείτε μεταλλικά καλαμάκια.

- Τα λουκάνικα έχουν την τάση να ανοίγουν όταν ψήνονται. Για να αποφευχθεί αυτό, χαράξτε τα μερικές φορές κατά μήκος.
- Το φρέσκο κρέας ψήνεται καλύτερα από το κατεψυγμένο ή το κρέας που έχει υποστεί απόψυξη. Μην αλατίζετε το κρέας πριν ολοκληρωθεί το ψήσιμο. Αυτό θα βοηθήσει στη διατήρηση των χυμών του κρέατος. Για καλύτερα αποτελέσματα, βεβαιωθείτε πως τα κομμάτια του κρέατος που πρόκειται να μαγειρέψετε δεν έχουν μεγάλο πάχος (περίπου 1,5 εκ.).

Αυτή η επιτραπέζια ψηστήρα δεν είναι κατάλληλη για ψήσιμο φαγητού καλυμμένου με γαλέτα.

Καθαρισμός και συντήρηση

Μην χρησιμοποιείτε ποτέ διαβρωτικά καθαριστικά και υλικά, καθώς προκαλούν φθορές στην αντικολλητική επιφάνεια της σχάρας.

- 1** Ρυθμίστε το διακόπτη ελέγχου στη θέση απενεργοποίησης και αποσυνδέστε τη συσκευή (Εικ. 9).
 - 2** Αφήστε τη συσκευή να κρυώσει για 15 λεπτά (Εικ. 11).
 - 3** Πριν αφαιρέσετε τη σχάρα ψησίματος για να την καθαρίσετε, αφαιρέστε το λάδι με ένα κομμάτι χαρτί κουζίνας.
 - 4** Ανασηκώστε τη σχάρα ψησίματος από τη βάση κρατώντας την από τις λαβές της (Εικ. 12).
 - 5** Αφαιρέστε το δίσκο περισυλλογής υγρών από τη βάση σύροντάς τον (Εικ. 13).
- Σημείωση: Ο δίσκος περισυλλογής υγρών μπορεί να αφαιρεθεί από τη βάση μόνο με ένα τρόπο.*
- 6** Μουλιάστε τη σχάρα ψησίματος και το δίσκο περισυλλογής υγρών σε ζεστό νερό με λίγο υγρό απορρυπαντικό για πέντε λεπτά ή στύψτε λίγο χυμό λεμονιού πάνω στη σχάρα. Με αυτόν τον τρόπο μαλακώνουν τα καμένα υπολείμματα τροφών ή λίπους.
 - 7** Καθαρίστε τη βάση με ένα υγρό πανί.
 - 8** Καθαρίστε τη σχάρα και το δίσκο περισυλλογής υγρών στο πλυντήριο πιάτων, ή με ένα μαλακό πανί ή σφουγγάρι σε ζεστό νερό με λίγο υγρό απορρυπαντικό.
 - 9** Στεγνώστε τη σχάρα και το δίσκο περισυλλογής υγρών.
 - 10** Επανασυναρμολογήστε όλα τα μέρη της συσκευής.

Σημείωση: Ανατρέξτε στον ξεχωριστό πίνακα καθαρισμού για περαιτέρω οδηγίες.

Συμβουλή συντήρησης:

- Για να αφαιρέσετε τα καμένα υπολείμματα τροφών στα γυάλινα τοιχώματα στο εσωτερικό της συσκευής, μπορείτε να χρησιμοποιήσετε ένα ξέστρο.
- Μην χρησιμοποιείτε ποτέ το ξέστρο για τον καθαρισμό του πλέγματος.
- Αφού η συσκευή κρυώσει (15 λεπτά μετά τη χρήση), χρησιμοποιήστε ένα υγρό πανί και λίγο απορρυπαντικό για να καθαρίσετε τα μεταλλικά τοιχώματα στην εσωτερική πλευρά της συσκευής. Πρέπει να είστε προσεκτικοί όταν χρησιμοποιείτε το ξέστρο για μεταλλικές επιφάνειες, καθώς μπορεί να προκληθούν γρατσουνιές. Λάβετε υπόψη ότι οι γρατσουνιές στα μεταλλικά τοιχώματα επηρεάζουν αρνητικά τη λειτουργία της συσκευής.

Πίνακας καθαρισμού (Εικ. 14)

Ανακύκλωση

- Αυτό το σύμβολο υποδεικνύει ότι το παρόν προϊόν δεν πρέπει να απορριφθεί μαζί με τα συνηθισμένα απορρίμματα του σπιτιού σας (2012/19/ΕΕ) (Εικ. 15).
- Ακολουθήστε τους εγχώριους κανονισμούς για την ξεχωριστή συλλογή ηλεκτρικών και ηλεκτρονικών προϊόντων. Η σωστή μέθοδος απόρριψης συμβάλλει στην αποφυγή αρνητικών επιπτώσεων για το περιβάλλον και την ανθρώπινη υγεία.

Εγγύηση και υποστήριξη

Αν χρειάζεστε πληροφορίες ή υποστήριξη, επισκεφτείτε τη διεύθυνση www.philips.com/support ή διαβάστε το ξεχωριστό φυλλάδιο της διεθνούς εγγύησης.

Αντιμετώπιση προβλημάτων

Αυτό το κεφάλαιο συνοψίζει τα πιο συνηθισμένα προβλήματα που μπορεί να αντιμετωπίσετε με τη συσκευή. Αν δεν μπορέσετε να λύσετε το πρόβλημα με τις παρακάτω πληροφορίες, ανατρέξτε στη λίστα συχνών ερωτήσεων στη διεύθυνση www.philips.com/support ή επικοινωνήστε με το Κέντρο Εξυπηρέτησης Καταναλωτών στη χώρα σας.

Αιτία	Πιθανή αιτία	Λύση
Βγαίνει καπνός κατά τη διάρκεια του ψήσιματος.	Ψήνετε τρόφιμα υψηλής περιεκτικότητας σε λιπαρά.	Όταν ψήνετε τρόφιμα υψηλής περιεκτικότητας σε λιπαρά όπως μπέικον ή πανσέτες, ενδέχεται να παρατηρήσετε λίγο καπνό να βγαίνει από το φαγητό. Όταν ψήνετε πολλά τρόφιμα υψηλής περιεκτικότητας σε λιπαρά, ένα μέρος του λίπους θα εκτοξευτεί στις πλευρές της ψησταριάς και θα καεί. Σε αυτήν την περίπτωση, χρησιμοποιήστε τη συσκευή κάτω από τον απορροφητήρα.
	Ψήνετε πολλές ποσότητες τη μια μετά την άλλη, αλλά δεν έχετε καθαρίσει το δίσκο συλλογής λίπους ή/και τη σχάρα μετά από κάθε ψήσιμο.	Το περίσσιο λάδι και οι χυμοί ή τα υπολείμματα φαγητών που παραμένουν στη σχάρα και στο δίσκο συλλογής υγρών θα αρχίσουν να καίγονται. Φροντίστε να σκουπίζετε τη σχάρα και το δίσκο συλλογής υγρών με χαρτί κουζίνας μετά από κάθε ψήσιμο. Προσοχή: Η σχάρα και ο δίσκος συλλογής υγρών καίνε κατά τη διάρκεια της χρήσης, καθώς και για κάποια ώρα μετά. Να χρησιμοποιείτε γάντια φούρνου όταν χειρίζεστε αυτά τα εξαρτήματα.
	Έχετε μαρινάρι τα υλικά με μεγάλη ποσότητα λαδιού.	Ο καπνός προέρχεται από την καύση λίπους. Αν μαρινάρετε τα τρόφιμά σας με μεγάλη ποσότητα λαδιού, θα βγει λίγος καπνός από το φαγητό. Σε αυτήν την περίπτωση, χρησιμοποιήστε τη συσκευή κάτω από τον απορροφητήρα. Για να διατηρήσετε την παραγωγή καπνού στο ελάχιστο, σας συνιστούμε να μην χρησιμοποιείτε καθόλου λάδι ή να χρησιμοποιείτε όσο το δυνατό λιγότερο.
Τα τρόφιμα πέφτουν από τις γραμμές της σχάρας στο δίσκο συλλογής υγρών.	Τα υλικά είναι κομμένα σε πολύ μικρά κομμάτια.	Για να αφαιρέσετε τα κομμάτια, φορέστε γάντια φούρνου και βγάλτε το δίσκο συλλογής υγρών έξω από τη συσκευή. Τοποθετήστε ξανά το δίσκο συλλογής υγρών. Φροντίστε να μην κόβετε σε πολύ μικρά κομμάτια τα υλικά που θα ψήσετε. Τα μεγάλα λαχανικά όπως τα κολοκυθάκια μπορούν να κοπούν σε φέτες. Οι μικρές τροφές όπως ταμανιτάρια δεν πρέπει να κόβονται, ή πρέπει να κόβονται μόνο στη μέση.

Johdanto

Onnittelut ostoksestasi ja tervetuloa Philips-tuotteiden käyttäjäksi! Hyödynnä Philipsin tuki ja rekisteröi tuotteesi osoitteessa www.philips.com/welcome.

Uudella grillilläsi, jossa on valumisastia, voit valmistaa kaikenlaisia maukkaita ruokia lähes käryttömästi. Tällä laitteella grillaaminen on helppoa, kiitos suuren grillauspinnan.

Yleiskuvaus (Kuva 1)

- 1 Parilaritilä (vain HD6372)
- 2 Grillausritilä
- 3 Alusta
- 4 Valitsin
- 5 Käytössä
- 6 Lämpimänäpito toiminto
- 7 Ei käytössä
- 8 Valumisastia
- 9 Virtajohto

Tärkeää

Lue nämä tärkeät tiedot huolellisesti ennen laitteen ensimmäistä käyttökertaa ja säilytä se vastaisen varalle.

Vaara

- Älä upota alustaa veteen tai muuhun nesteeseen.

Varoitus

- Älä katso suoraan lampun valoon, kun laite on käytössä (Kuva 1b).
- Tarkista, että laitteen pohjassa oleva jännitemerkintä vastaa paikallista verkkojännitettä, ennen kuin liität laitteen sähköverkkoon.
- Käytä laitetta vain tarkoituksenmukaisesti käyttöoppaassa esitetyllä tavalla.
- Älä käytä laitetta, jos pistoke, johto tai itse laite on vaurioitunut.
- Jos virtajohto on vahingoittunut, se on oman turvallisuutesi vuoksi hyvä vaihdattaa Philipsin valtuuttamassa huoltoliikkeessä tai muulla ammattitaitoisella korjaajalla.
- Liitä laite vain maadoitettuun pistorasiaan.
- Älä päästä verkkojohtoa kosketuksiin kuumien pintojen kanssa.
- Älä jätä verkkojohtoa roikkumaan sen pöydän tai työtason reunan yli, jonka päällä laite on.
- Laitetta voivat käyttää myös yli 8-vuotiaat lapset ja henkilöt, joiden fyysinen tai henkinen toimintakyky on rajoittunut tai joilla ei ole kokemusta tai tietoa laitteen käytöstä, jos heitä on neuvottu laitteen turvallisesta käytöstä tai tarjolla on turvallisen käytön edellyttämä valvonta ja jos he ymmärtävät laitteeseen liittyvät vaarat. Lasten ei pidä leikkiä laitteella. Alle 8-vuotiaiden lasten ei saa antaa puhdistaa tai huoltaa laitetta ilman valvontaa.
- Pidä laite ja sen johto alle 8-vuotiaiden lasten ulottumattomissa.
- Älä jätä laitetta käyntiin ilman valvontaa.

- Tätä laitetta ei ole tarkoitettu käytettäväksi ulkoisen ajastimen tai erillisen kaukosäädinjärjestelmän kanssa.
- Älä jätä lastaa tai pihtejä kuumalle ritilälle.

Varoitus

- Jos pudotat laitteen vahingossa, irrota se pistorasiasta.
- Älä kaada nesteitä (esim. brandy, olut tai vesi) grilliin, suojalasin päälle tai valumisastiaan, sillä seurauksena voi olla tulipalo.
- Ennen kuin kytket virran grilliin, poista kaikki esineet sen päältä ja helposti syttyvät esineet lähettyviltä.
- Älä aseta grilliä pinnoille, jotka ovat arkoja kuumuudelle.
- Älä tuki grillin ilmastointiaukkoja, ettei laite ylikuumene.
- Älä aseta mitään ruokaa tai esineitä valumisastian päälle, kun grilliin on kytketty virta.
- Älä sijoita laitetta kaasu- tai sähkölieden päälle tai viereen tai kuumaan uuniin.
- Aseta laite tasaiselle, vakaalle alustalle siten, että sen ympärillä on riittävästi tilaa.
- Varmista, että valumisastia on aina paikallaan grillauksen aikana.
- Laitteen ulkopinta voi kuumentua käytön aikana (Kuva 2).
- Varo roiskuvaa rasvaa, kun grillaat rasvaista lihaa tai makkaraa.
- Katkaise laitteesta virta ja irrota virtajohto käytön jälkeen.
- Puhdista laite aina käytön jälkeen.
- Anna laitteen jäähtyä kokonaan, ennen kuin irrotat ritilän ja valumisastian, puhdistat laitteen ja asetat sen säilytykseen.
- Älä koske ritilää terävillä tai naarmuttavilla välineillä, muuten tarttumattomaksi käsitelty pinnoite voi vahingoittua.
- Laite on tarkoitettu vain sisäkäyttöön. Älä käytä sitä ulkona.
- Tämä laite on tarkoitettu vain tavalliseen kotitalouskäyttöön. Sitä ei ole tarkoitettu käytettäväksi henkilökuntaruokaloissa myymälöissä, toimistoissa, maataloilla tai muissa työympäristöissä. Sitä ei ole myöskään tarkoitettu hotellien tai muiden majoitusliikkeiden vieraiden käyttöön.
- Jos laitetta käytetään väärin tai (puoli-)ammattillisessa tarkoituksessa tai jos sitä on käytetty käyttöohjeen vastaisesti, takuu mitätöityy eikä Philips vastaa mahdollisista vahingoista.
- Älä käytä laitetta yli 60 minuuttia pidempään On (päällä) -asennossa kahden tunnin jakson aikana.
- Ylikuumentunut öljy tai rasva, rasvajäämät ja lihankappaleet voivat syttyä palamaan ritilässä tai valumisastiassa. Älä koskaan jätä grilliä ilman valvontaa. Älä koskaan yritä sammuttaa öljy- tai rasvapaloa

vedellä. Katkaise laitteesta virta ja tukahduta tuli huolellisesti sammutuspeitteellä tai kostealla pyyhkeellä.

- Älä aseta grillin päälle vuokaa, alumiinifoliota tai mukeja grillauksen aikana. Muuten järjestelmä ylikuumentuu ja automaattinen lämpökytkin katkaisee laitteesta virran. Jos näin käy, sammuta laite, irrota pistoke pistorasiasta ja odota 10 minuuttia. Liitä laite sitten pistorasiaan ja käynnistä se uudelleen.

Sähkömagneettiset kentät (EMF)

Tämä Philips-laite vastaa kaikkia sähkömagneettisia kenttiä (EMF) koskevia standardeja ja säännöksiä.

Käyttöönotto

- 1** Poista mahdolliset tarrat ja pyyhi laite kostealla liinalla.
- 2** Puhdista laite ja ritilä huolellisesti (katso luku Puhdistus).

Käyttö

Huomautus: Ensimmäisellä käyttökerralla laitteesta saattaa tulla hieman käryä. Tämä on normaalia.

- 1** Liu'uta valumisastia runkoon (Kuva 3).

Huomautus: Valumisastian voi asettaa runkoon vain yhdellä tavalla.

- 2** Aseta parilaritilä (vain HD6372) tai grillausritilä alustan päälle (Kuva 4).
- 3** Kytke pistoke pistorasiaan (1) ja pidä valitsin käännettynä lämpimänäpitoasentoon kahden sekunnin ajan (2) (Kuva 5).
- 4** Käännä valitsin käynnistysasentoon (Kuva 6).
 - ▶ HD6372: Parilaritilä on heti kuuma ja käyttövalmis.
 - ▶ Grillausritilän kuumeneminen kestää 6–7 minuuttia.
- 5** Ainekset kannattaa nostaa ritilälle lastalla tai pihdeillä (Kuva 7).

Ole varovainen: ritilä on kuuma!

Huomautus: Kun marinoit ruoka-aineita, käytä vain vähän öljyä ja sivele marinadi kevyesti ruoan pintaan. Runsas öljyn käyttö aiheuttaa käryämistä.

- ▶ Vain grillausritilä: grillaamisen aikana kuuluu sihinää, joka on tyypillistä ja kuuluu asiaan.

Huomautus: Grillausaika määräytyy grillattavan ruoan paksuuden ja koon perusteella ja voi vaihdella.

Huomautus: Jos grillaat erittäin rasvaista ruokaa, voit havaita ruoasta irtoavan hieman käryä, mutta paljon vähemmän kuin käytettäessä tavallista pöytägrilliiä.

- 6** Kun ruoka on valmista, poista se ritilältä tai käännä valitsin lämpimänäpitoasentoon, jos haluat nauttia ruoan myöhemmin. (Kuva 8)
- Ota ruoka grillistä lastalla tai pihdeillä. Älä käytä metallisia, teräviä tai hankaavia välineitä.
- 7** Irrota kuivuneet ruoantähteet tai rasva huolellisesti lastalla ja poista ylimääräinen öljy valumisastiasta ennen seuraavan erän grillausta.
 - 8** Jatka grillaamista asettamalla seuraava ruokaerä ritilälle.
 - 9** Kun olet lopettanut grillauksen, katkaise laitteesta virta (1) ja irrota pistoke pistorasiasta (2). (Kuva 9)

Grillausajat (Kuva 10)

Taulukossa on mainittu joitakin ruokia, joita voit grillata tällä pöytägrillillä. Taulukossa on lueteltu ruokien grillausajat (ei sisällä laitteen lämpenemisaikaa). Grillausaikaan ja lämpötilaan vaikuttavat ruoan tyyppi (esimerkiksi liha), paksuus ja lämpötila sekä tietenkin omat mieltymykset.

Vinkkejä

- Mureat lihapalat sopivat parhaiten grillattaviksi.
- Esimerkiksi pihvejä voi mureuttaa pitämällä niitä marinadissa yön yli.
- Käännä ruokaa vain kerran grillaamisen aikana lastalla tai pihdeillä. Siten ruoka pysyy mehukkaana eikä kuivu. Älä käytä haarukan tai grillipihtien kaltaisia metallisia keittiövälineitä, koska ne voivat vahingoittaa ritilän tarttumaton pinnoitetta.
- Älä käännä grillattavaa ruokaa liian usein.
- Kun valmistat satay-vartaita tai kebab-lihaa, liota bambu- tai puuvartaita vedessä, jotta ne eivät palaisi grillauksen aikana. Älä käytä metallivartaita.
- Makkarankuoret halkeavat usein grillattaessa. Voit estää tämän tekemällä kuoreen muutamia viiltoja pitkittäissuunnassa.
- Tuore liha tuottaa paremman grillaustuloksen kuin pakastettu tai pakasteesta sulatettu liha. Lisää lihaan suolaa vasta grillaamisen jälkeen, jotta liha pysyisi mehukkaana. Saat parhaan tuloksen käyttämällä riittävän ohuita lihapaloja (noin 1,5 cm).

Tässä pöytägrillissä ei voi valmistaa leivitettyjä ruokia.

Puhdistus ja huolto

Älä käytä naarmuttavia puhdistusaineita tai työvälineitä, sillä ne saattavat vahingoittaa ritilöiden tarttumaton pinnoitetta.

- 1** Aseta valitsin virrankatkaisuasentoon ja irrota pistoke pistorasiasta (Kuva 9).
- 2** Anna laitteen jäähtyä 15 minuuttia (Kuva 11).
- 3** Pyyhi ylimääräinen rasva ritilältä talouspaperilla ennen kuin irrotat ritilän puhdistamista varten.
- 4** Tartu kahvoin ja nosta ritilä paikaltaan (Kuva 12).
- 5** Liu'uta valumisastia irti rungosta (Kuva 13).

Huomautus: Valumisastian voi irrottaa rungosta vain yhdellä tavalla.

- 6** Liota ritilää ja valumisastiaa kuumassa astianpesuvedessä viiden minuutin ajan tai pirskota ritilälle sitruunamehua. Näin kuivuneet ruoantähteet ja rasva irtoavat.
- 7** Puhdista runko kostealla liinalla.
- 8** Puhdista ritilä ja valumisastia pehmeällä liinalla tai sienellä kuumassa vedessä, johon on lisätty astianpesuainetta, tai astianpesukoneessa.
- 9** Kuivaa ritilä ja valumisastia.
- 10** Kokoa laite.

Huomautus: Katso lisäohjeita erillisestä puhdistustaulukosta.

Hoitovinkki:

- Jos laitteen lasiseinämissä on kuivuneita ruoantähteitä, voit irrottaa ne kaapimella.
- Älä käytä kaavinta parilaritilän puhdistamiseen.
- Odota, että laite jäähtyy (noin 15 minuuttia käytön jälkeen), ja puhdista laitteen metalliset sisäosat kostealla liinalla ja miedolla puhdistusaineella. Käytä kaavinta varovaisesti, koska se voi naarmuttaa metalliosia. Huomautus: metalliosien naarmuuntuminen ei vaikuta laitteen toimintaan.

Puhdistustaulukko (Kuva 14)

Kierrätys

- Tämä merkki tarkoittaa, että tätä tuotetta ei saa hävittää tavallisen kotitalousjätteen mukana (2012/19/EU) (Kuva 15).
- Noudata maasi sähkö- ja elektroniikkalaitteiden erillistä keräystä koskevia sääntöjä. Asianmukainen hävittäminen auttaa ehkäisemään ympäristölle ja ihmisille mahdollisesti koituvia haittavaikutuksia.

Takuu ja tuki

Jos haluat tukea tai lisätietoja, käy Philipsin verkkosivuilla osoitteessa www.philips.com/support tai lue erillinen kansainvälinen takuulehtinen.

Vianmääritys

Tähän osaan on koottu tavallisimmat laitteen käytössä ilmenevät ongelmat. Ellet löydä ongelmaasi ratkaisua seuraavista tiedoista, lue osoitteesta www.philips.com/support vastauksia usein kysytyihin kysymyksiin tai ota yhteys maasi asiakaspalveluun.

Ongelma	Mahdollinen syy	Ratkaisu
Grillauksen aikana syntyy käryä.	Grillaat rasvaista ruokaa.	Kun grillaat rasvaista ruokaa, kuten pekonia tai sian kylkeä, voit huomata ruoasta irtoavan hieman käryä. Jos grillaat paljon rasvaista ruokaa, osa rasvasta roiskuu grillin seinämiin ja palaa. Käytä tässä tapauksessa laitetta liesituulettimen alla.
	Grillaat monta erää peräkkäin, mutta et ole puhdistanut rasva-astiaa ja/tai ritilää grillattavien erien välillä.	Ritilälle ja valumisastiaan jäänyt ylimääräinen öljy, ruoka-aineksista irronnut neste tai ruoantähteet voivat palaa. Varmista, että pyyhkit ritilän ja valumisastian talouspaperilla jokaisen grillattavan erän jälkeen. Ole varovainen: ritilä ja valumisastia ovat kuumia käytön aikana ja jonkin aikaa sen jälkeen. Käytä uunikintaita tai patalappuja, kun käsittelet kuumia osia.
	Käytit raaka-aineiden marinoinnissa runsaasti öljyä.	Käry johtuu rasvan palamisesta. Jos käytät ruoan marinoinnissa liikaa öljyä, ruoasta irtoaa grillattaessa hieman käryä. Käytä tässä tapauksessa laitetta liesituulettimen alla. Jotta käryä syntyisi mahdollisimman vähän, suosittelemme grillaamaan ilman öljyä tai käyttämään sitä niin vähän kuin mahdollista.
Ruokaa putoaa ritilän raoista valumisastian päälle.	Ruoka-aineet on leikattu liian pieniksi paloiksi.	Käytä uunikintaita tai patalappuja, liu'uta valumisastia irti laitteesta ja poista pudonneet ruokapalat astiasta. Aseta valumisastia uudelleen paikoilleen. Pidä huoli siitä, että et leikkaa grillattavia ruoka-aineita liian pieniksi paloiksi. Suuret kasvikset, kuten kesäkurpitsat, voi leikata viipaleiksi. Kooltaan pienet ruoka-aineet, kuten sienet, kannattaa korkeintaan halkaista tai jättää kokonaan pilkkomatta.

Innledning

Gratulerer med kjøpet og velkommen til Philips! Du får best mulig nytte av støtten som Philips tilbyr, hvis du registrerer produktet ditt på www.philips.com/welcome.

Den nye grillen med dryppebrett gjør at du kan tilberede all slags smakfull mat nesten uten røyk. Det er enkelt å grille med dette apparatet på grunn av den store grilloverflaten.

Generell beskrivelse (fig. 1)

- 1 Grillrist (kun HD6372)
- 2 Barbecuerist
- 3 Sokkel
- 4 Kontrollbryter
- 5 På
- 6 Holde varm
- 7 Av
- 8 Dryppebrett
- 9 Ledning

Viktig

Les denne viktige informasjonen nøye før du bruker apparatet, og ta vare på den for senere referanse.

Fare

- Sokkelen må ikke senkes ned i vann eller andre væsker.

Advarsel

- For å unngå øyeskader, bør du ikke se direkte på lampelyset når det står på (fig. 1b).
- Før du kobler til apparatet, må du kontrollere at spenningen som er angitt på undersiden av apparatet, stemmer overens med nettspenningen.
- Bruk bare apparatet til beregnede formål som beskrevet i denne brukerhåndboken.
- Du må ikke bruke apparatet hvis støpselet, ledningen eller selve apparatet er ødelagt.
- Hvis ledningen er ødelagt, må den alltid skiftes ut av Philips, et servicesenter som er godkjent av Philips, eller lignende kvalifisert personell, slik at man unngår farlige situasjoner.
- Bruk kun jordet stikkontakt til dette apparatet.
- Hold strømledningen unna varme overflater.
- Ikke la ledningen henge over kanten på bordet eller benken der apparatet står.
- Dette apparatet kan brukes av barn over åtte år og av personer som har nedsatt sansevne eller fysisk eller psykisk funksjonsevne, eller personer med manglende erfaring eller kunnskap, dersom de får tilsyn eller instruksjoner om bruk av apparatet på en sikker måte og forstår risikoen. Barn skal ikke leke med apparatet. Rengjøring og brukervedlikehold skal ikke utføres av barn hvis de ikke er åtte år eller eldre og har tilsyn.

- Hold apparatet og ledningen utenfor rekkevidden til barn under 8 år.
- Ikke la apparatet stå på uten tilsyn.
- Dette apparatet er ikke beregnet på bruk med en ekstern timer eller et separat fjernkontrollsystem.
- Ikke la stekespade eller klype ligge på risten når den er varm.

Forsiktig

- Koble fra strømmen til apparatet hvis du mister det i bakken.
- Ikke hell væsker (f.eks. brennevin, øl eller vann) på grillen, beskyttelsesglasset eller dryppebrettet, da dette kan føre til brann.
- Før du slår på grillen, må du fjerne eventuelle gjenstander som ligger oppå den, og eventuelle brannfarlige gjenstander i nærheten av den.
- Ikke plasser grillen på overflater som ikke tåler varme.
- For å unngå overoppheting av apparatet må du ikke dekke til noen av ventilasjonsåpningene på grillen.
- Ikke plasser mat eller gjenstander på dryppebrettet når grillen er slått på.
- Ikke plasser apparatet på eller i nærheten av en gassovn, elektrisk ovn eller oppå en oppvarmet ovn.
- Sett apparatet på en flat, stabil overflate, og pass på at det har tilstrekkelig plass rundt seg.
- Kontroller at dryppebrettet alltid er på plass under grillingen.
- Overflatene kan bli varme når apparatet er i bruk (fig. 2).
- Pass på at det ikke spruter fett når du griller saftig kjøtt eller pølser.
- Slå alltid av og koble fra apparatet etter bruk.
- Rengjør alltid apparatet etter bruk.
- La apparatet avkjøles helt før du fjerner grillristen og dryppebrettet, rengjør apparatet og setter det bort.
- Berør aldri grillristen med skarpe eller skurende gjenstander, da dette vil skade det klebefrie belegget.
- Dette apparatet er bare ment for innendørs bruk.
- Dette apparatet er kun beregnet for vanlig bruk i hjemmet. Det er ikke beregnet for bruk på f.eks. bedriftskjøkken, butikker, kontorer, bondegårder eller andre arbeidsmiljøer. Det er heller ikke beregnet for å brukes av kunder på hoteller, moteller eller i andre typer bomiljøer.
- Hvis apparatet brukes feil eller på en måte som tilsvarer profesjonell bruk, eller hvis bruksanvisningen ikke følges, blir garantien ugyldig, og Philips påtar seg da ikke noe ansvar for eventuelle skader.
- Ikke bruk apparatet lenger enn 60 minutter med innstillingen "på" i en totimersperiode.

- Overopphetet fett eller olje, fettrester og rester av kjøtt på risten og dryppebrettet kan antennes og begynne å brenne. Forlat aldri grillen uten tilsyn. Ikke bruk vann til å slukke branner som har oppstått fra olje eller fett. Slå av enheten og bruk et brannteppe eller et fuktig kjøkkenhåndkle til å kvele brannen.
- Ikke dekk til grillen med en kasserolle eller aluminiumsfolie eller kopper under grillingen, for da blir systemet overopphetet, og en automatisk varmebryter som er inkludert i enheten, slår grillen av. I så tilfelle må du slå enheten av og ta ut støpselet og vente i 10 minutter før du kobler den til igjen og fortsetter.

Elektromagnetiske felt (EMF)

Dette Philipsapparatet overholder alle aktuelle standarder og forskrifter for eksponering for elektromagnetiske felt.

Før bruk første gang

- 1 Fjern eventuelle klistremerker, og tørk av apparatet med en fuktig klut.
- 2 Rengjør apparatet og risten grundig (se avsnittet Rengjøring).

Bruke apparatet

Merk: Apparatet kan avgj røyk når du bruker det for første gang. Dette er normalt.

- 1 Skyv dryppebrettet inn i sokkelen (fig. 3).

Merk: Dryppebrettet kan bare skyves inn i sokkelen på én måte.

- 2 Plasser grillristen (kun HD6372) eller barbecueristen på sokkelen (fig. 4).
- 3 Sett støpselet i stikkkontakten (1) og sett kontrollbryteren til Keep-warm (Holde varm) i to sekunder (2) (fig. 5).
- 4 Sett kontrollbryteren til ON (fig. 6).
- HD6372: Grillristen er varm og klar til bruk.
- Det tar 6–7 minutter før barbecueristen er varm.
- 5 Bruk en stekespade eller klype for å legge ingrediensene på risten (fig. 7).

Vær forsiktig: Risten er varm!

Merk: Bruk bare litt olje når du marinerer maten, og pensle marinaden forsiktig på maten ettersom oljen fører til ekstra røyk.

- Kun ved bruk av barbecuerist: Du får den distinkte freselyden som er typisk ved grilling.

Merk: Grilltiden varierer og avhenger av tykkelsen og størrelsen på maten.

Merk: Hvis du griller mat med mye fett, vil det komme litt røyk fra maten, men mye mindre enn med en vanlig elektrisk bordgrill.

- 6 Når maten er ferdig, fjerner du den fra risten eller setter kontrollbryteren til Keep-warm (Holde varm) hvis du vil spise maten senere. (fig. 8)

Bruk en stekespade eller klype til å fjerne maten. Ikke bruk kjøkkenredskaper i metall eller skarpe kjøkkenredskaper som kan lage riper.

- 7 Løsne størket mat eller fett forsiktig med en stekespade, og fjern overflødig olje fra dryppebrettet før du begynner å grille neste omgang.
- 8 Vil du fortsette å grille, legger du neste omgang med mat på risten.
- 9 Når du er ferdig med å grille, slår du av apparatet (1) og tar ut støpselet av stikkkontakten (2). (fig. 9)

Grilltider (fig. 10)

I mattabellen finner du noen mattyper du kan grille på denne bordgrillen. Tabellen viser hvor lang grilltid maten trenger (ikke inkludert oppvarmingstiden til apparatet). Grilltiden og temperaturen avhenger av hvilken type mat du griller (f.eks. kjøtt), tykkelse, temperatur og smakspreferansen din.

Tips

- Møre kjøttstykker er best egnet til grilling.
- Kjøttstykker som biff blir mørere hvis de marineres over natten.
- Snu maten bare én gang med stekespade eller matklype for å sikre at den holder seg saftig på innsiden og ikke tørker ut. Ikke bruk andre metallredskaper som gafler eller grillklype. De kan føre til skade på det klebefrie belegget på grillristen.
- Ikke snu grillmaten for ofte.
- Når du lager satay eller kebab, bør du dyppe grillspyd av bambus eller tre i vann for å hindre at de blir brent under grillingen. Ikke bruk grillspyd av metall.
- Pølser har en tendens til å sprekke når de grilles. For å unngå dette kan du skjære noen skrånitt i skinnet.
- Ferskt kjøtt gir bedre grillresultater enn frossent eller tint kjøtt. Ikke strø salt på kjøttet før etter du har grillet det. Det bidrar til å holde kjøttet saftig. Sørg for at kjøttstykkene du skal tilberede, ikke er for tykke (ca. 1,5 cm), da oppnår du best resultat.

Denne bordgrillen er ikke egnet til grilling av panert mat.

Rengjøring og vedlikehold

Apparatet må aldri rengjøres med sterke slipe- eller skureprodukter. Det fører til skader på det klebefrie belegget på ristene.

- 1** Sett kontrollbryteren i av-stillingen og ta ut støpselet (fig. 9).
- 2** La apparatet avkjøles i 15 minutter (fig. 11).
- 3** Fjern overflødig olje fra grillristen med litt kjøkkenpapir før du tar ut risten for å rengjøre den.
- 4** Løft risten fra sokkelen i håndtakene (fig. 12).
- 5** Trekk dryppebrettet ut av sokkelen (fig. 13).

Merk: Dryppebrettet kan bare trekkes ut av sokkelen på én måte.

- 6** La risten og dryppebrettet ligge i varmt vann med litt oppvaskmiddel i fem minutter, eller drypp litt sitronsaft på grillristen. Det løser opp klumpet mat eller fett.
- 7** Rengjør sokkelen med en fuktig klut.
- 8** Rengjør risten og dryppebrettet med en myk klut eller svamp i varmt vann med litt oppvaskmiddel eller i oppvaskmaskin.
- 9** Tørk risten og dryppebrettet.
- 10** Sett sammen igjen apparatet.

Merk: Se egen rengjøringstabell for flere instruksjoner.

Tips for vedlikehold:

- For klumpete matrester på glassveggene inne i enheten kan du bruke en skraper for å fjerne restene.
- Bruk aldri skraper for å rengjøre risten.
- Etter at enheten er kjølt ned (15 min. etter bruk), kan du bruke en fuktig klut og litt rengjøringsmiddel til å rengjøre metallveggene på innsiden av enheten. Vær forsiktig når du bruker en skraper på metalloverflater, siden den kan lage riper. Vær oppmerksom på at riper på metallveggene ikke har noen negativ innvirkning på enhetens funksjonalitet.

Rengjøringstabell (fig. 14)

Resirkulering

- Dette symbolet betyr at dette produktet ikke må avhendes i vanlig husholdningsavfall (2012/19/EU) (fig. 15).
- Følg nasjonale bestemmelser om avfallsdeponering av elektriske og elektroniske produkter. Riktig avfallshåndtering bidrar til å forhindre negative konsekvenser for helse og miljø.

Garanti og støtte

Hvis du trenger kundestøtte eller informasjon, kan du gå til www.philips.com/support eller lese i garantiheftet.

Feilsøking

Dette avsnittet gir en oppsummering av de vanligste problemene som kan oppstå med apparatet. Hvis du ikke kan løse problemet ved hjelp av informasjonen nedenfor, kan du gå til www.philips.com/support for å se en liste over vanlige spørsmål, eller du kan kontakte forbrukerstøtten i landet der du bor.

Problem	Mulig årsak	Løsning
Røyk avgis under grilling.	Du griller fet mat.	Når du griller fet mat som bacon eller svinekjøtt, kan det komme noe røyk fra maten. Når du griller mye fet mat, vil noe av fettete sprute ut på sidene av grillelementene og brenne seg fast. I slike tilfeller setter du apparatet under avtrekksviften.
	Du griller i flere omganger etter hverandre, men du har ikke rengjort fettskuffen eller risten etter hver omgang.	Overflødig olje, fett eller matrester som blir liggende på risten og i dryppebrettet, kan begynne å brenne. Pass på at du tørker risten og dryppebrettet med kjøkkenpapir etter hver omgang. Forsiktig: Risten og dryppebrettet er varme under, og en stund etter, bruk. Bruk grytekluter når du håndterer disse delene.
	Du har marinert maten med mye olje.	Røyken forårsakes av brennende fett. Hvis du mariner maten med for mye olje vil det komme litt røyk fra maten. I slike tilfeller setter du apparatet under avtrekksviften. For å holde røykproduksjonen til et minimum anbefaler vi at du ikke bruker noe olje, eller så lite olje som mulig.
Maten faller ned gjennom risten og på dryppebrettet.	Ingrediensene er delt inn i for små biter.	Bruk grytekluter og skyv dryppebrettet ut av apparatet for å fjerne matbiter. Sett dryppebrettet på plass igjen. Pass på at du ikke skjærer ingrediensene som skal grilles, i for små biter. Store grønnsaker (f.eks. squash) kan du kutte i skiver. Små matvarer (f.eks. sopp) bør ikke kuttes, eller kun deles i to.

Introduktion

Grattis till inköpet och välkommen till Philips! För att dra maximal nytta av den support som Philips erbjuder kan du registrera din produkt på www.philips.com/welcome.

Med din nya grill med droppbricka kan du tillreda alla typer av utsökt mat nästan utan rök. Det är enkelt att grilla med den här apparaten tack vare den stora grillytan.

Allmän beskrivning (Bild 1)

- 1 Gallerinsats (endast HD6372)
- 2 Grillgaller
- 3 Bottenplatta
- 4 Kontrollvred
- 5 På
- 6 Varmhållning
- 7 Av
- 8 Droppbricka
- 9 Nätsladd

Viktigt

Läs den här viktiga informationen noggrant innan du använder apparaten och spara sedan häftet för framtida bruk.

Fara

- Sänk inte ned bottenplattan i vatten eller någon annan vätska.

Varning

- Titta inte rakt in i lampan när den är påslagen så undviker du ögonskador (Bild 1b).
- Kontrollera att den nätspänning som anges på produktens undersida motsvarar den lokala nätspänningen innan du kopplar in den.
- Använd bara apparaten för dess avsedda ändamål enligt beskrivningen i den här användarhandboken.
- Använd inte apparaten om stickkontakten, nätsladden eller själva apparaten är skadad.
- Om nätsladden är skadad måste den alltid bytas ut av Philips, något av Philips auktoriserade serviceombud eller liknande behöriga personer för att undvika olyckor.
- Apparaten får endast anslutas till ett jordat vägguttag.
- Låt inte nätsladden komma i kontakt med varma ytor.
- Se till att nätsladden inte hänger över kanten på bordet eller arbetsbänken där apparaten står.
- Den här apparaten kan användas av barn från 8 års ålder; personer med olika funktionshinder samt av personer som inte har kunskap om apparaten, såvida det sker under tillsyn eller om de har informerats om hur apparaten används på ett säkert sätt och om de eventuella riskerna. Barn får inte leka med apparaten. Barn under 8 år får inte rengöra eller underhålla apparaten utan tillsyn.

- Se till att apparaten och dess sladd är utom räckhåll för barn under 8 år.
- Lämna inte apparaten obevakad när den används.
- Den här apparaten är inte avsedd att användas med hjälp av en extern timer eller ett separat fjärrkontrollssystem.
- Lämna aldrig en stekspade eller tång på gallret när det är varmt.

Försiktighet

- Koppla ur apparaten om du tappat den.
- Håll inte vätskor (t.ex. konjak, öl eller vatten) på grillen, skyddsglasat eller droppbrickan, eftersom det kan orsaka brand.
- Innan du slår på grillen ska du ta bort eventuella föremål ovanpå den och eventuella brandfarliga föremål nära den.
- Placera inte grillen på ytor som kan påverkas av värme.
- Blockera inte grillens ventilationshål för att undvika överhettning i apparaten.
- Placera inte mat eller föremål på droppbrickan när grillen är påslagen.
- Placera inte apparaten på eller nära en varm gas- eller elbrännare eller i en uppvärmd ugn.
- Placera apparaten på en plan och stabil yta med tillräckligt mycket fritt utrymme runt den.
- Se till att droppbrickan alltid sitter på plats när du grillar.
- Ytorna kan bli varma när apparaten används (Bild 2).
- Se upp för fettstänk när du grillar fett kött eller korv.
- Stäng alltid av apparaten och dra ur nätsladden efter användning.
- Rengör alltid apparaten efter användning.
- Låt apparaten svalna helt innan du tar bort gallret och droppbrickan, rengör apparaten och ställer undan den.
- Rör aldrig vid gallret med vassa eller slipande föremål eftersom det skadar non-stick-beläggningen.
- Apparaten är endast avsedd för användning inomhus. Använd den inte utomhus.
- Apparaten är endast avsedd för normalt hushållsbruk. Den är inte avsedd för användning i miljöer som personalkök i verkstäder, på kontor eller i andra arbetsmiljöer. Den är inte heller avsedd att användas av kunder på hotell, motell, bed and breakfast och i andra boendemiljöer.
- Om apparaten används på felaktigt sätt eller i storskaligt bruk eller om den inte används enligt anvisningarna i användarhandboken upphör garantin att gälla och Philips tar inte på sig ansvar för skador som kan uppkomma.
- Använd inte enheten i läget "på" i mer än 60 minuter utan avbrott under en tvåtimmarsperiod.

- Överhettat fett eller olja, fett, smuts och köttrester på gallret och droppbrickan kan antändas och börja brinna. Lämna aldrig grillen obevakad. Om grillen antänds på grund av olja eller fett ska du inte släcka den med vatten. Stäng av enheten och släck elden med en filt eller fuktig diskhandduk.
- Täck inte över grillen med en kastrull eller aluminiumfolie eller koppar under grillningen. Systemet kan bli överhettat och en automatiserad termokontakt, som ingår i enheten stängs av. Slå i så fall av enheten och dra ur nätsladden, vänta i 10 minuter, koppla in och slå på den igen för att fortsätta.

Elektromagnetiska fält (EMF)

Den här Philips-produkten uppfyller alla tillämpliga standarder och regler gällande exponering av elektromagnetiska fält.

Före första användningen

- 1 Ta bort alla etiketter och torka av apparaten med en fuktig trasa.
- 2 Rengör apparaten och gallret noggrant (se avsnittet Rengöring).

Använda apparaten

Obs! Det kan komma lite rök ur apparaten när du använder den första gången. Detta är normalt.

- 1 För in droppbrickan i bottenplattan (Bild 3).
Obs! Droppbrickan kan endast föras in i bottenplattan åt ett håll.
- 2 Placera gallerinsatsen (endast HD6372) eller grillgallret på bottenplattan (Bild 4).
- 3 Sätt i kontakten i vägguttaget (1) och vrid kontrollvredet till varmhållningsläget i 2 sekunder (2) (Bild 5).
- 4 Vrid kontrollvredet till på-läget (Bild 6).
 - ▶ HD6372: Gallerinsatsen är varm och klar att använda direkt.
 - ▶ Det tar 6-7 minuter för grillgallret att värmas upp.
- 5 Använd en stekspade eller tång för att placera ingredienserna på gallret (Bild 7).

Var försiktig: gallret är varmt!

Obs! När du marinera maten bör du bara använda lite olja och pensla marinaden lätt på maten eftersom oljan orsakar extra rök.

- ▶ Endast grillgaller: under grillningen hör du ett fräsande ljud som är typiskt för grillning.

Obs! Grilltiden beror på tjockleken och storleken på maten och kan variera.

Obs! Om du grillar mycket feta ingredienser kommer du ändå att märka att en del rök bildas av maten, men mycket mindre än med en vanlig elektrisk bordsgrill.

- 6 När maten är klar tar du bort den från gallret eller vrider kontrollvredet till varmhållningsläget om du vill äta maten senare. (Bild 8)

Använd en stekspade eller tång för att ta bort maten. Använd inte köksredskap av metall eller redskap som är vassa eller slipande.

- 7 Lossa försiktigt mat och fett som har fastnat med en stekspade och torka av överflödiga olja från droppbrickan innan du grillar nästa omgång mat.
- 8 För att fortsätta grilla lägger du nästa omgång mat på gallret.
- 9 När du har grillat klart stänger du av apparaten (1) och drar ur kontakten ur vägguttaget (2). (Bild 9)

Grilltider (Bild 10)

I mattabellen finns exempel på olika typer av mat som du kan tillaga med bordsgrillen. I tabellen visas hur lång tid maten måste grillas (ej inklusive uppvärmningstid för apparaten). Grilltiden och temperaturen beror på vilken typ av mat du tillagar (t.ex. kött), hur tjock den är, dess temperatur och även på din egen smak.

Tips

- Mört kött passar bäst för grillning.
- Köttbitar som exempelvis biflar blir mörare om de marineras över natten.
- Vänd endast maten en gång med en stekspade eller tång så att den förblir saftig inuti och inte blir torr. Använd inte metallredskap som gafflar eller grilltänger eftersom de skadar gallrens non-stick-beläggning.
- Vänd inte på den grillade maten för ofta.
- När du tillagar satay eller kebab bör du först blötlägga grillspett av bambu eller trä i vatten för att förhindra att de blir brända under grillningen. Använd inte grillspett av metall.
- Korvar tenderar att spricka när de grillas. För att förhindra detta kan du snitta skinnet några gånger på längden.
- Färskt kött ger bättre grillresultat än fryst eller upptinat kött. Strö inte salt på köttet förrän efter grillningen. På så sätt håller sig köttet saftigt. För att få bästa resultat bör köttbitarna du tillagar inte vara för tjocka (ca 1,5 cm).

Bordsgrillen är inte lämplig för tillagning av panerad mat.

Rengöring och underhåll

Använd aldrig slipande rengöringsmedel eller material eftersom de skadar gallrens non-stick-beläggning.

- 1** Ställ in kontrollvredet på av-läget och dra ur nätsladden (Bild 9).
 - 2** Låt apparaten svalna i 15 minuter (Bild 11).
 - 3** Torka av överflödiga olja från gallret med en bit hushållspapper innan du tar bort gallret för rengöring.
 - 4** Lyft gallret från bottenplattan i handtagen (Bild 12).
 - 5** Dra ut droppbrickan ur bottenplattan (Bild 13).
- Obs! Droppbrickan kan endast dras ut ur bottenplattan åt ett håll.*
- 6** Blötlägg gallret och droppbrickan i varmt vatten med lite diskmedel i fem minuter eller droppa lite citronsaft på gallret. Det löser upp mat och fett som har fastnat.
 - 7** Rengör bottenplattan med en fuktig trasa.
 - 8** Rengör gallret och droppbrickan med en mjuk trasa eller svamp i varmt vatten med lite diskmedel, eller i diskmaskinen.
 - 9** Torka gallret och droppbrickan.
 - 10** Sätt ihop apparaten igen.

Obs! Se den separata rengöringstabellen för mer information.

Underhållstips:

- Om det har fastnat matrester på glasväggarna inuti enheten kan du använda en skrapa för att ta bort resterna.
- Använd aldrig skrapan till att rengöra gallret.
- När enheten har svalnat (15 min. efter användning) använder du en fuktig trasa och lite rengöringsmedel för att rengöra metallväggarna på enhetens insida. Var försiktig när du använder en skrapa för metallytor då repor kan uppstå. Observera att repor på metallväggarna inte har någon negativ inverkan på enhetens funktion.

Rengöringstabell (Bild 14)

Återvinning

- Den här symbolen betyder att produkten inte ska slängas bland hushållssoporna (2012/19/EU) (Bild 15).
- Följ föreskrifterna för separat insamling av elektriska och elektroniska produkter som gäller i ditt land. Korrekt kassering bidrar till att förhindra negativ påverkan på miljö och hälsa.

Garanti och support

Om du behöver information eller support kan du gå till www.philips.com/support eller läsa garantibroschyren.

Felsökning

I det här kapitlet sammanfattas de vanligaste problemen som kan uppstå med apparaten. Om du inte kan lösa problemet med hjälp av informationen nedan kan du gå till www.philips.com/support och läsa svaren på vanliga frågor. Du kan även kontakta kundtjänst i ditt land.

Problem	Möjlig orsak	Lösning
Rök avges under grillningen.	Du grillar feta ingredienser.	När du grillar feta ingredienser som bacon eller sidfläsk kan du märka att lite rök avges från maten. När du grillar en stor mängd feta ingredienser kan en del av fettet stänka på sidorna av grillelementen och brännas. I så fall kan du använda apparaten under utsugningshuv.
	Du grillar flera omgångar efter varandra, men du har inte rengjort droppbrickan och/eller gallret efter varje omgång.	Överflödiga olja och vätska från maten eller matrester som finns kvar på gallret och på droppbrickan kan brännas. Se till att du torkar av gallret och droppbrickan med hushållspapper efter varje omgång grillade ingredienser. Var försiktig; gallret och droppbrickan är heta en stund efter användning. Använd grytvantar eller grytlappar när du hanterar de här delarna.
	Du marinerade ingredienserna i mycket olja.	Röken orsakas av bränt fett. Om du marinerar maten i för mycket olja kommer lite rök att avges från maten. I så fall kan du använda apparaten under utsugningshuv. För att få minimalt med rök rekommenderar vi att du inte använder någon olja alls eller så lite som möjligt.
Maten faller ned genom gallret på droppbrickan.	Ingredienserna är skurna i för små bitar.	Använd grytvantar eller grytlappar och dra ut droppbrickan ur apparaten när du ska ta bort bitarna. Sätt i droppbrickan igen. Se till att du inte skär ingredienserna som ska grillas i alltför små bitar. Stora grönsaker som zucchini kan skäras i skivor. Mindre bitar som exempelvis svampar bör inte skäras eller endast halveras.

Giriş

Ürünümüzü satın aldığınız için teşekkür ederiz. Philips'e hoş geldiniz! Philips'in sunduğu destekten faydalanabilmek için lütfen ürününüzü şu adresten kaydedin: www.philips.com/welcome. Damla tepsili yeni ızgaranız ile her türlü leziz yiyeceği dumsansız olarak hazırlayabilirsiniz. Geniş ızgara yüzeyi sayesinde cihazı kullanarak ızgara yapmak son derece kolaydır.

Genel açıklamalar (Şek. 1)

- 1 Izgara (sadece HD6372)
- 2 Barbekü ızgarası
- 3 Taban
- 4 Kontrol düğmesi
- 5 Açık
- 6 Sıcak tutma
- 7 Kapalı
- 8 Damla tepsisi
- 9 Elektrik kablosu

Önemli

Cihazı kullanmadan önce bu önemli bilgileri dikkatlice okuyun ve gelecekte başvurmak üzere saklayın.

Tehlike

- Tabanı su veya başka bir sıvıyı batırmayın.

Uyarı

- Gözünüze zarar gelmesini önlemek için, açıkken lambanın ışığına bakmayın (Şek. 1b).
- Cihazı prize takmadan önce, cihazın tabanında belirtilen gerilimin yerel şebeke gerilimiyle uygunluğunu kontrol edin.
- Bu cihazı yalnızca kullanım amacına uygun olarak, bu kullanım kılavuzunda anlatıldığı gibi kullanın.
- Cihazın fişi, kordonu veya kendisi hasarlıysa kesinlikle kullanmayın.
- Cihazın elektrik kablosu hasarlıysa bir tehlike oluşturmasını önlemek için mutlaka Philips'in yetki verdiği bir servis merkezi veya benzer şekilde yetkilendirilmiş kişiler tarafından değiştirilmesini sağlayın.
- Cihazı sadece topraklı prize takın.
- Elektrik kablosunu sıcak yüzeylerden uzak tutun.
- Elektrik kablosunun, cihazın yerleştirildiği masa ya da tezgahın sarkmamasına dikkat edin.
- Bu cihazın 8 yaşın üzerindeki çocuklar ve fiziksel, motor ya da zihinsel becerileri gelişmemiş veya bilgi ve tecrübe açısından eksik kişiler tarafından kullanımı sadece bu kişilerin nezaretinden sorumlu kişilerin bulunması veya cihazın güvenli kullanım talimatlarının bu kişilere sağlanması ve olası tehlikelerin anlatılması durumunda mümkündür. Çocuklar cihazla oynamamalıdır. Temizlik ve kullanıcı 8 yaşından küçük ve gözetim altında olmayan çocuklar tarafından yapılmamalıdır.

- Cihazı ve kablosunu 8 yaşından küçük çocukların erişemeyecekleri yerlerde muhafaza edin.
- Cihazı kendi halinde çalışır durumdayken bırakmayın.
- Bu cihaz harici zamanlayıcı veya ayrı bir uzaktan kumanda sistemi ile birlikte kullanılmamalıdır.
- Spatulayı veya maşayı ızgara sıcakken üzerinde bırakmayın.

Dikkat

- Cihazı düşürürseniz fişten çekin.
- Izgara, koruyucu cam veya damla tepsisi üzerine herhangi bir sıvı (örneğin konyak, bira veya su) dökmeyin; bu durum yangın çıkmasına neden olabilir.
- Izgarayı açmadan önce üzerindeki veya etrafındaki nesnelere kaldırın.
- Izgarayı sıcaklıktan etkilenebilecek yüzeylere yerleştirmeyin.
- Cihazın aşırı ısınmasını önlemek için ızgaranın havalandırma deliklerini kapatmayın.
- Izgara açırken damla tepsisinin üzerine herhangi bir yiyecek veya nesne koymayın.
- Cihazı sıcak bir gazlı veya elektrikli ocağın üzerine veya yakınına ya da ısıtılmış bir fırına koymayın.
- Cihazı düz, etrafında yeterli açık alan olan, sabit bir zemine yerleştirin.
- Izgara yaparken damla tepsisinin yerinde olduğundan emin olun.
- Cihaz çalışırken açık yüzeyleri ısınabilir (Şek. 2).
- Yağlı et ya da sosis pişirirken sıçrayan yağa dikkat edin.
- Kullandıktan sonra cihazı mutlaka kapatın ve fişini çekin.
- Kullandıktan sonra cihazı her zaman temizleyin.
- Izgarayı ve damla tepsisini çıkarmadan, cihazı temizlemeden ve kaldırmadan önce tamamen soğumasını bekleyin.
- Yapışmaz yüzeye zarar vereceğinden, ızgaranın keskin veya çizici maddelerle temas etmesini önleyin.
- Bu cihaz yalnızca kapalı alanlarda kullanım içindir. Açık alanlarda kullanmayın.
- Bu cihaz sadece evde kullanım için tasarlanmıştır. Mağazaların, ofislerin, çiftliklerin veya diğer işyerlerinin personel mutfakları gibi ortamlarda kullanılamaz. Otel, motel, pansiyon ve diğer konaklama ortamlarındaki kişiler tarafından kullanıma da uygun değildir.
- Cihazın uygun olmayan şekillerde, profesyonel ya da yarı profesyonel amaçlarla veya kullanım talimatlarına uygun olmayan şekillerde

- kullanılması durumunda garanti geçerliliğini yitirecek ve Philips oluşabilecek zararlarla ilgili her türlü sorumluluğu reddedecektir.
- Cihazı iki saatlik süre içinde “açık” ayarında 60 dakikadan fazla kullanmayın.
 - Aşırı ısınmış yağ, yağ kalıntıları ve ızgaranın ve damlama tepsisinin üzerinde kalan et parçaları tutuşup yanabilir. Izgarayı asla gözetimsiz bırakmayın. Yağın tutuşması durumunda asla suyla söndürmeye çalışmayın. Cihazı kapatın ve ateşi yangın battaniyesi veya nemli bir havluyla dikkatlice söndürün.
 - Sistem aşırı ısınacağından ve cihazın içinde bulunan otomatik termostat kapanacağından ızgarayı kullanırken tavayla, alüminyum folyoyla veya kapakla kapatmayın. Böyle bir durumda cihazı kapatın ve fişini çekin, 10 dakika bekleyin, fişi geri takın ve cihazı açarak devam edin.

Elektromanyetik alanlar (EMF)

Bu Philips cihazı, elektromanyetik alanlara maruz kalmaya ilişkin geçerli tüm standartlara ve düzenlemelere uygundur.

İlk kullanımdan önce

- 1 Cihaz üzerinde etiket varsa çıkartın ve cihazı nemli bir bezle silin.
- 2 Cihazı ve ızgarayı iyice temizleyin (bkz. ‘Temizlik’ başlıklı bölüm).

Cihazın kullanımı

Dikkat: İlk kez kullandığınızda, cihaz biraz duman çıkarabilir. Bu normaldir.

- 1 Damla tepsisini gövdeye yerleştirin (Şek. 3).

Dikkat: Damla tepsisi tabana yalnızca tek bir şekilde takılabilir.

- 2 Izgarayı (sadece HD6372) ya da barbekü ızgarasını tabana yerleştirin (Şek. 4).
- 3 Fişi prize takın (1) ve kontrol düğmesini 2 saniye “sıcak tutma” konumuna getirin (2) (Şek. 5).
- 4 Kontrol düğmesini “açık” konumuna getirin (Şek. 6).
- HD6372: Izgara sıcak ve hemen kullanıma hazırdır.
- Barbekü ızgarasının ısınması 6-7 dakika sürer.

- 5 Izgaranın üzerine malzemeleri yerleştirirken spatula veya maşa kullanın (Şek. 7).

Dikkatli olun: Izgara sıcaktır!

Dikkat: Yağ ekstra duman verdiği için yiyeceklerinizi marine ederken sadece az miktarda yağ kullanın ve yağı fırça yardımıyla yiyeceklerin üzerine hafifçe sürün.

Yalnızca barbekü ızgarası: Izgara işlemi süresince bir cızırtı sesi duymanız normaldir.

Dikkat: Izgara süresi yiyeceğin boyutuna ve kalınlığına bağlıdır ve değişiklik gösterebilir.

Dikkat: Çok yağlı yiyecekleri ızgara yaparken yiyecekte duman çıktığını görürsünüz, ancak bu duman geleneksel elektrikli masa ızgarasına göre çok daha az olur.

- 6 Izgara işlemi tamamlandığında yiyeceği ızgaranın üzerinden alın veya daha sonra tüketmek üzere kontrol düğmesini sıcak tutma konumuna getirin. (Şek. 8)

Yiyeceği almak için bir spatula ya da maşa kullanın. Metal, keskin veya aşındırıcı mutfak aletleri kullanmayın.

- 7 Yeni yiyeceği ızgara yapmadan önce yanmış yiyecek ya da yağlı bir spatula kullanarak dikkatlice yumuşatın ve damla tepsisindeki fazla yağı alın.
- 8 Izgara yapmaya devam etmek için bir sonraki yiyecek grubunu ızgara üzerine yerleştirin.

40 TÜRKÇE

9 Izgara işlemini bitirdiğinizde cihazı kapatın (1) ve fişini prizden çekin (2). (Şek. 9)

Izgara süreleri (Şek. 10)

Yiyecek tablosunda bu masa ızgarasında pişirebileceğiniz bazı yiyecek çeşitlerini göreceksiniz. Tabloda, yiyeceklerin ızgara süreleri gösterilir (cihazın ısınma süresi dahil değildir). Izgara süresi ve sıcaklığı, yiyecek türüne (örneğin et), kalınlığına, sıcaklığına ve kişisel damak zevkinize göre değişir.

İpuçları

- Yumuşak et dilimleri ızgara için idealdir.
- Biftek gibi et çeşitleri bir gece öncesinden marine edilirse daha yumuşak olur.
- İçinin sulu kalması ve kurumaması için yiyecekleri bir defa cihazla birlikte verilen spatula veya maşa ile çevirin. Izgaranın yapışmaz yüzeyine zarar vereceklerinden, çatal ya da ızgara maşası gibi metal araçlar kullanmayın.
- Izgara yapılan yiyecekleri çok sık çevirmeyin.
- Şiş veya kebab yaparken, ızgara sırasında kavrulmalarını engellemek için bambu ya da tahta şişleri suda bekletin. Metal şiş kullanmayın.
- Sosisler ızgara yapılırken patlayabilir. Bunu önlemek için sosisleri birkaç kez uzunlamasına kesin.
- Taze et, ızgara yaparken donmuş ya da çözölmüş etten daha iyi sonuç verir. Et pişinceye kadar üzerine tuz serpmeyin. Bu, etin sulu kalmasını sağlar. En iyi sonuçlar için hazırladığınız etlerin fazla kalın olmamasına dikkat edin (yaklaşık 1,5 cm).

Bu masa ızgarası, galeta unu içeren yiyeceklerin ızgara yapılması için uygun değildir.

Temizlik ve bakım

Izgaranın yapışmaz kaplamasına zarar vereceğinden, kesinlikle aşındırıcı temizlik maddeleri ve malzemeleri kullanmayın.

1 Kontrol düğmesini "kapalı" konumuna getirin ve cihazın fişini çekin (Şek. 9).

2 Cihazın soğuması için 15 dakika bekleyin (Şek. 11).

3 Temizlemek amacıyla ızgarayı çıkarmadan önce üzerinde kalan fazla yağlı kağıt havlu kullanarak alın.

4 Izgarayı tutamaklarından kaldırarak tabandan çıkarın (Şek. 12).

5 Damla tepsisini tabandan çıkarın (Şek. 13).

Dikkat: Damla tepsisi tabandan yalnızca tek bir şekilde çıkarılabilir.

6 Izgarayı ve damla tepsisini içinde bulaşık deterjanı bulunan sıcak suyun içinde beş dakika bekletin veya ızgaranın üzerine bir miktar limon suyu dökün. Bu, yanmış yiyecek ya da yağları yumuşatacaktır.

7 Tabanı nemli bir bezle silerek temizleyin.

8 Izgarayı ve damla tepsisini bulaşık deterjanlı sıcak suda, yumuşak bir bez veya sünger ile temizleyin ya da bulaşık makinesinde yıkayın.

9 Izgarayı ve damla tepsisini kurulaştırın.

10 Cihazı yeniden takın.

Dikkat: Daha fazla açıklama için ayrı temizleme tablosuna bakın.

Bakım ipucu:

- Cihazın içindeki cam duvarlarda katılaşmış yiyecek kalıntılarını temizlemek için bir spatula kullanabilirsiniz.
- Izgarayı temizlemek için kesinlikle spatula kullanmayın.
- Cihazınız soğuduktan sonra (kullanımdan 15 dk. sonra) cihazın iç kısmındaki metal duvarları temizlemek için nemli bir bez ve bir miktar deterjan kullanın. Spatulayı metal yüzeylerde kullanırken dikkatli olun; bu durum çiziklere yol açabilir. Metal duvarların üzerindeki çiziklerin cihazın performansını olumsuz etkilemeyeceğini lütfen unutmayın.