

## ENGLISH

### Introduction

Congratulations on acquiring your new Philips kettle! In these instructions for use you will find all important information, so you can optimally enjoy your kettle as long as possible.

### General description

- 1) On/off switch (I/O)
- 2) Pilot light
- 3) Lid
- 4) Spout
- 5) Water-level indicator
- 6) Base (HD4399 has no base)
- 7) Scale filter (HD4642, HD4629, HD4628 and HD4627 only)

### Important

Read these instructions for use carefully before using the appliance and save them for future reference.

- Check if the voltage indicated on the base of the kettle corresponds to the local mains voltage before you connect the appliance.
- Only use the kettle in combination with its original base.
- Always place the base and the kettle on a dry, flat and stable surface.
- Keep the cord, the base and the appliance away from hot surfaces.
- Do not use the appliance if the mains cord, the plug, the base or the appliance itself is damaged.
- If the mains cord is damaged, it must always be replaced by Philips, a service centre authorised by Philips or similarly qualified persons in order to avoid a hazard.
- Do not immerse the appliance or the base in water or any other liquid.
- The kettle is only meant for boiling water. Do not use it to heat up soup or other liquids or jarred, bottled or tinned food.
- Boiling water can cause serious burns. Be careful when the kettle contains hot water.
- Never fill the kettle beyond the maximum level indication. If the kettle has been overfilled, boiling water may be ejected from the spout and cause scalding.
- Do not open the lid while the water is boiling. Be careful when you open the lid immediately after the water has boiled: the steam coming out of the kettle is very hot.
- Avoid touching the body of the kettle, as it gets very hot during use. Always lift the kettle by its handle.
- Keep the appliance and its cord out of the reach of children. Do not let the mains cord hang over the edge of the table or worktop. Excess cord can be stored in or around the base of the appliance.
- Never fill the kettle below the minimum level to prevent the kettle from boiling dry.
- Some condensation may appear on the base of the kettle. This is perfectly normal and does not mean that the kettle has any defects.
- Depending on the hardness of the water in your area, small spots may appear on the heating element of your kettle when you use it. This phenomenon is the result of scale build-up on the heating element and on the inside of the kettle over time. The harder the water, the faster scale will build up. Scale can occur in different colours. Although scale is harmless, too much scale can influence the performance of your kettle. Descale your kettle regularly by following the instructions given in the chapter 'Descaling'.

### Boil-dry protection

This kettle is equipped with boil-dry protection. This device will automatically switch the kettle off if it is accidentally switched on when there is no water or not enough water in it. The on/off switch will stay in 'on' position and the pilot light, if available, will stay on. Set the on/off switch to 'O' and let the kettle cool down for 10 minutes. The kettle is ready for use again.

### Before first use

- Remove stickers, if any, from the base or kettle.
- Place the base on a dry, stable and flat surface.
- Adjust the length of the cord by winding it round the reel in the base. Pass the cord through one of the slots in the base (fig. 2).

Before using the kettle for the first time:

- 1 Rinse the kettle with water.
- 2 Fill the kettle with water up to the maximum level and let it boil once (see 'Using the appliance').
- 3 Pour out the hot water and rinse the kettle once more.

### Using the appliance

- 1 Fill the kettle with water either through the spout or through the open lid (fig. 3).
  - 2 Close the lid.
- Make sure that the lid is properly closed to prevent the kettle from boiling dry.
- 3 Place the kettle on its base, put the plug in the wall socket and set the on/off switch to 'I' (fig. 4).

The kettle starts heating up.

- The kettle switches off ('O' position) automatically when the water has reached boiling point.
- You can interrupt the boiling process by setting the on/off switch to 'O'.

### Cleaning and descaling

**Always unplug the appliance before cleaning it.**

**Do not use any abrasive cleaning agents, scourers etc. to clean the kettle.**

**Never immerse the kettle or its base in water.**

#### Cleaning the kettle

- 1 Clean the outside of the kettle with a soft, damp cloth moistened with warm water and some mild cleaning agent.

Scale is not harmful to your health but it may give your drink a powdery taste. The scale filter prevents scale particles from ending up in your drink. Clean the scale filter regularly.

- 2 The filter can be cleaned (HD4642 and HD4628 only):

- by taking it out of the kettle and gently brushing the filter with a soft nylon brush under a running tap, or.. (fig. 5).
- by leaving it in the kettle when descaling the whole appliance, or...
- in the dishwasher.

#### Descaling the kettle

Regular descaling will prolong the life of the kettle.

In case of normal use (up to 5 times a day), the following descaling frequency is recommended:

- Once every 3 months for soft water areas (up to 18 dH).
- Once every month for hard water areas (more than 18 dH).

- 1 Fill the kettle with water up to three-quarters of the maximum level and bring the water to the boil.
- 2 After the kettle has switched off, add white vinegar (8% acetic acid) to the maximum level.
- 3 Leave the solution in the kettle overnight.
- 4 Empty the kettle and rinse the inside thoroughly.
- 5 Fill the kettle with clean water and boil the water.
- 6 Empty the kettle and rinse it with clean water again.

- Repeat the procedure if there is still some scale in the kettle.

You can also use an appropriate descaler. In that case, follow the instructions on the package of the descaler.

### Replacement

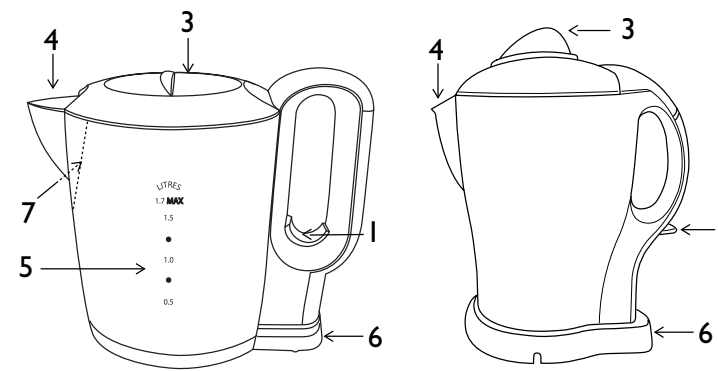
Replacement filters for your kettle can be purchased from your Philips dealer or a Philips service centre. The table below indicates which filters are suitable for your electric kettle.

**If the kettle, the base or the mains cord of the appliance is damaged, take the base or the kettle to a service centre authorised by Philips for repair or replacement of the cord to avoid a hazard.**

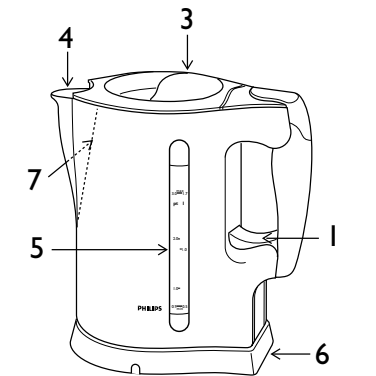
### Guarantee & service

If you need information or if you have a problem, please visit the Philips website at [www.philips.com](http://www.philips.com) or contact the Philips Customer Care Centre in your country (you will find its phone number in the world-wide guarantee leaflet). If there is no Customer Care Centre in your country, turn to your local Philips dealer or contact the Service Department of Philips Domestic Appliances and Personal Care BV.

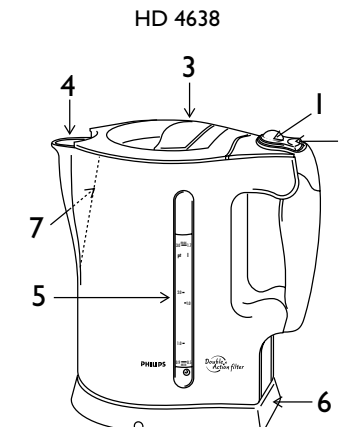
Kettle type	Filter type
HD4628, HD4627	HD4966
HD4629	HD4970
HD4642	HD4960



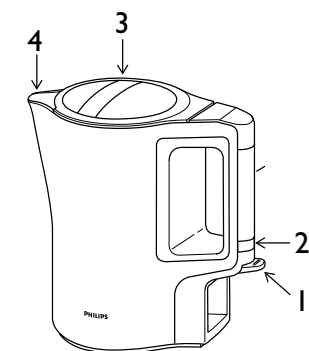
HD 4642, HD 4641



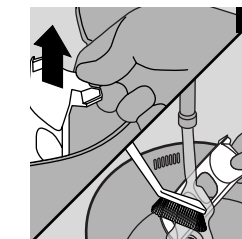
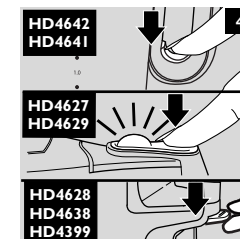
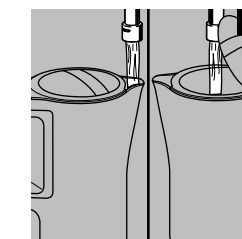
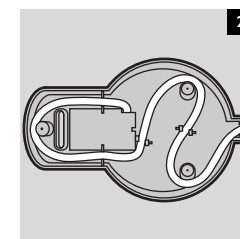
HD 4628, HD 4626



HD 4629, HD 4627



HD 4399



HD4642, HD4641, HD4638, HD4629,  
HD4628, HD4627, HD4626, HD4399



# PHILIPS



[www.philips.com](http://www.philips.com)

100% recycled paper  
100% papier recyclé

4222 001 97391

