

PHILIPS

HD 4289



PHILIPS

English **Page 4**

- Keep pages 3 and 50 open when reading these operating instructions.

Français **Page 8**

- Pour le mode d'emploi: dépliez les pages 3 et 50.

Deutsch **Seite 13**

- Schlagen Sie beim Lesen der Gebrauchsanweisung Seiten 3 und 50 auf.

Nederlands **Pagina 18**

- Sla bij het lezen van de gebruiksaanwijzing de pagina's 3 en 50 op.

Italiano **Pagina 23**

- Prima di usare l'apparecchio, aprite le pagine 3 e 50 e leggete attentamente le istruzioni per l'uso.

Español **Página 28**

- Desplegar las páginas 3 y 50 al leer las instrucciones de manejo.

Русский **Страница 33**

- Смотрите при чтении настоящей инструкции стр. 3 и стр. 50.

For U.K. only:

Fitting a different plug

This appliance is fitted with a BS 1363 13 Amp. plug.
Should you need to replace the plug, connect the wires as follows:

Green/yellow wire to the **Earth** terminal (\perp) of the new plug.

Brown wire to the **Live (L)** terminal of the new plug.

Blue wire to the **Neutral (N)** terminal of the new plug.

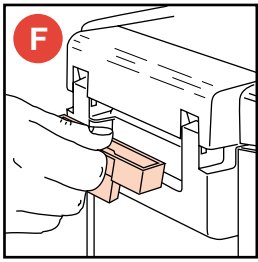
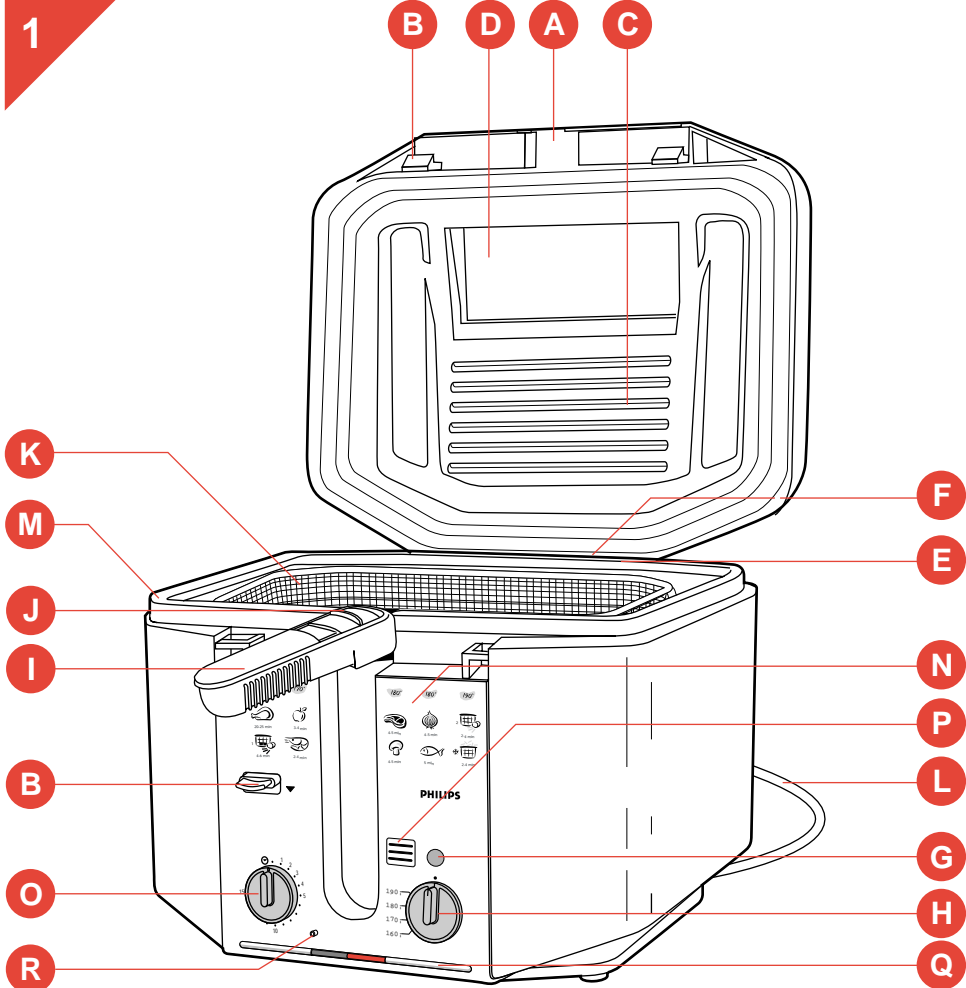
Always fit the same value of fuse as that originally supplied with your appliance. Only use BS 1362 approved fuses.

As a guide only: Appliances under 700 W can have a 3 Amp. fuse (red) and all others should have a 13 Amp. fuse (brown).

When disposing of an old plug (particularly the moulded type which has been cut from the mains cord) always remove the fuse as the plug could be dangerous if ever inserted in a live socket.



1



Important

- Read these instructions in conjunction with the illustrations (pages 3 and 50) before using the appliance.
- Before plugging the appliance in, check if the voltage indicated at the bottom of the appliance is the same as the mains voltage in your home.
- Never immerse the deep fat fryer in water.
- Clean the various parts with a damp cloth prior to use. Ensure that they are thoroughly dry before filling the deep fat fryer with oil or fat.
- Do not switch on the deep fat frying pan until you have filled it with oil or fat.
When melting fat: initially select 160° C / 320° F and do not select a higher temperature until the fat is completely melted. Melt the pieces of fat on the bottom of the fryer and not in the frying basket.
- Only use oils and fats which are recommended for deep fat frying. This information can be found on the packing of these oils/fats.
- Always fill with oil or fat to the level between the measure indications MIN and MAX. Before you start frying, always check if there is still sufficient oil/fat in the fryer.
- Do not exceed the maximum quantities indicated in the table. Never fill the basket higher than up to $\frac{3}{4}$.
If the basket is overfilled, hot fat/oil may flow over the fryer ridge.
- During the process hot steam comes through the filter in the lid. Keep your hands and face away from this steam.
- Keep the deep fat fryer out of the reach of children at all times especially when in use.
- Do not let the mains cord hang over the edge of the table or sink.
- Remove the plug from the mains socket after use, so that the oil or fat can cool down. Do not move the fryer until it has cooled sufficiently.
- The inside wall of your fryer has a non-stick coating. To avoid damaging the coating, do not touch with metal objects. Place and remove the frying basket carefully.
Do not use scouring cleaning agents and products such as (fluid) abrasive, scourer, cleaning pad, wire wool or steel wool.
- Keep these instructions for future reference.

General description (fig. 1)

- A Lid handle.
- B Lid release button.
- C Permanent filter.
- D Window.
- E Hinges.
- F Basin for drip water.
- G Pilot lamp.
- H Temperature knob.
- I Hand grip of frying basket.
- J Frying basket release knob.
- K Frying basket.
- L Mains cord (can be stored inside the appliance).
- M Spout.
- N Indications concerning optimum frying temperatures.
- O Timer knob
- P Timer bell
- Q Oil/fat condition indicator
- R Reset button (oil/fat condition indicator)

Prior to first use

- Wash the frying basket in hot soapy water.
- Pour some hot soapy water into the fryer and wash the inner side thoroughly.
- Rinse the inside of the fryer well with clean water (using e.g. a cup). Dry well.

Deep fat frying

- Press the release button (B). The lid will open automatically (fig. 2).
- When you wish to use new frying fat (instead of oil), first set the frying basket in the highest position by putting the hand grip horizontally ("Click!") (fig. 3). Then take the basket out of the pan (fig. 4).
You can put the basket back into the pan as soon as all the fat has melted.
- When you wish to use frying oil you can leave

- the frying basket inside the fryer. (This is also possible when heating up fat which has been used before and which is melted in the pan and around the basket.)
- Fill the (dry) deep fat frying pan with oil or fat to the indication line MAX (2.5 litres of oil or 2250 grammes of fat) (fig. 5).
Note: Never mix two different types of oil and/or fat.
 - Pull the needed amount of mains cord out of the appliance. Any excess of mains cord can be slid back inside the appliance.
 - You may spread some oil onto the bottom side of the window. This will prevent condensed water to set there during frying.
 - Close the lid: then the oil/fat will heat up quicker. (The lid will be locked automatically.)
 - Insert the plug into the mains socket.
 - If you are using fat, first set the temperature knob to 160° C (320° F). Wait for all the fat to melt.
 - Set the temperature knob to the setting which is most appropriate for the kind of food to be fried. Refer to the table or the indications on the appliance.
 - When using oil, you can set the temperature knob to the indicated position rightaway.
 - After the pilot lamp has extinguished a couple of times (after 10-15 minutes) the oil/fat is at the correct temperature.
 - Press the lid release button (1) to open (2) the lid (fig. 2).
 - Put the hand grip horizontally ("Click!") (fig. 3) and lift the frying basket out of the pan (fig. 4).
 - Put the food into the basket.
 - Place the frying basket back in the pan (fig. 6) and close the lid.
If the lid does not close well immediately, just press it down firmly.
 - Unlock (1) the hand grip of the frying basket and move it downwards (2) (fig. 7).
 - You can set the timer to the required frying time. First rotate the knob clockwise to "15". Then rotate it anti-clockwise to set the required frying time.
Please note: The timer will warn you when the set time has elapsed, but will not switch off the fryer!
 - Through the window you can watch the process of frying without opening the lid. At the start some condensation may occur. Later on this will disappear by itself.
 - For better overall browning, it is advised to shake the basket a couple of times during frying. Keep the lid closed while doing so (fig. 8).
 - After frying: put the frying basket in the highest position by setting the hand grip into a horizontal position ("Click!"). Allow the fried food to drain. Then press the release button to open the lid (fig. 2).
 - If required you can shake the basket over the fryer to remove excess fat/oil.
 - Remove the basket from the fryer and put the fried food in a colander with fat absorbing paper (e.g. tissue paper/kitchen roll).
 - Due to the fine structure of the frying basket, loose particles from the food will be sieved out of the oil/fat when lifting the basket out of the pan. Discard these: it would have an adverse effect on the quality of the fat/oil if they would get charred in it.
 - Remove the plug from the mains socket after use.
 - If the basin for drip water becomes full: Press the release button to open the fryer lid (fig. 2); put the lid in upright position and pull it out of its hinges (fig. 9); pour the drip water out of the basin (fig. 10).
 - Store the fryer with the lid on top. This will keep dust etc. from the pan.
 - You can push the mains cord back into the cord storage room inside the appliance.

Table

In the table is indicated what types of food can be prepared with the fryer and what temperature and preparation times should be chosen. The table also indicates the maximum quantity per preparation for optimum results. Larger quantities (e.g. 500 g frozen French fries) can of course be used. However, then the results will be less crispy and the required frying time will be longer.

French fries

- To obtain the nicest and most crispy French fries:
- Use not too new potatoes.
 - Cut the potatoes first to thick slices and then to sticks. Rinse the sticks in a colander under the cold water tap: this will prevent the sticks from adhering to one another while frying. Dry the sticks using e.g. kitchen paper.
 - French fries should be prepared in **two steps**:
- **firstly at 160° C (320° F), during 8-10 minutes.**
- **secondly at 190° C (374° F), during 2-4 minutes.**
During the second step shake the frying basket at small intervals; then the French fries will get a fine overall brown.

Temperature	Type of food	Max quantity per preparation		Frying time *) (minutes)
		unfrozen	frozen	
160 °C (320 °F)	Chicken (fillet, drumsticks)	300 g	200 g	20-25
170 °C (338 °F)	Cheese croquettes Shrimp fritters	4 pcs. 4-5 pcs.	3 pcs.	5 2-4
180 °C (356 °F)	Apple fritters Cheese fritters Fish fingers/fillet Meat balls Mussels	4-5 pcs. 4-5 pcs. 5 pcs. 10-13 pcs. 10-12 pcs.	3 pcs.	4-5 2-4 5 4-5 2½-3
190 °C (374 °F)	Ball fritters Doughnuts **) French fries Cordon bleu Fish croquettes Meat croquettes Potato croquettes Sliced potato Wiener Schnitzel	3-4 pcs. 3 pcs. 350 g 2-3 pcs. 4 pcs. 4 pcs. 4 pcs. 350 g 2 pcs.	2 pcs. 250 g 3 pcs. 3 pcs. 3 pcs. 250 g	2-4 6-8 5 3-4 5 5 5 5 2½-3

*) For frozen food the preparation times may be longer than indicated.

**) For new French fries please refer to section "French fries".

Deep frozen food

Food from your deep freezer or from the freezer compartment of your fridge (-16 to -18° C or - 1 to 3° F) will cool down the oil/fat vastly when lowered into it, so that too much oil/fat may be absorbed.

- For that reason, do not put too big portions into the fryer.
- Let the fryer regain optimum frying temperature before you prepare a portion of deep frozen food (15-20 minutes).

Set the temperature knob to the frying temperature indications on the packaging of the deep frozen food. If these indications are not given, set the knob to the highest temperature (190° C or 374° F).

These instructions are also valid for certain types of food which require careful preparation, such as meat croquettes.

Deep frozen French fries are pre-fried and can be fried in one step: max. 250 g at 190° C / 374° F, for about 5 minutes.

- Deep frozen food often contains too much ice. Shake off as much of the ice as possible in the sink. Then lower the food into the oil/fat carefully, as deep frozen articles can make the hot fat/oil bubble and splash excessively.

Tips

- Pure vegetable fat or oil containing polyunsaturated acids are often recommended by health specialists. Please note that these types of fat and oil must be refreshed sooner than other types to maintain their good qualities. Also, a sticky and tenacious ridge of fat deposits may set above the fat / oil level. We advise you to clean the inside of the fryer after each use with hot water and a washing-up agent. (Please refer to section "Cleaning".)
- Regularly replace the oil or fat. Never add fresh oil/fat to used oil/fat.
- In general the fat/oil will be tainted rather quickly when frying food containing a lot of protein (such as meat and fish). When the oil/fat is mainly used to deep fat fry potatoes and is filtered after each use, the oil/fat can be used 10-12 times. However, do not use it for over six months. Then it should be discarded responsibly. Oil (after cooling down) can be poured into a bottle and curdled fat can be wrapped in an old paper. Curdled fat inside the pan can be easily removed by heating it for about one minute (at 160° C/320° F).

It will melt along the edges and no longer stick to the wall.

- Always replace all fat/oil as soon as it starts seething when heated; when it has got a rancid smell or taste; when its colour has become dark and/or when it has turned syrupy.
- Make sure that the food to be fried is dry, before lowering it into the hot fat/oil.
- Clean the fryer with paper tissue. Do not forget the inside walls.
- If you do not use the deep fat fryer frequently, you can best keep the oil in well-closed (glass) bottles; preferably in the fridge. Store fat in a well-closed (glass or stone) pot or bowl. It is not advised to keep the fat/oil in the fryer for a long time.

If the oil/fat has a taste...

Certain types of food (esp. fish) may lose some fluid while being deep fat fried. This juice might adversely affect the taste of food to be fried later in the same oil/fat.

To remove (or rather to prevent) this taste heat the oil/fat to 160° C / 320° F. Then fry two thin slices of bread (5-6 mm, or 0.25 "). Wait until all the air bubbles have disappeared and the bread is brown all over. Then take the bread out of the fryer and discard it. Now the oil/fat has a neutral taste again.

Oil/fat condition indicator

Your fryer is equipped with an oil/fat condition indicator to remind you when to refresh the oil or fat.

While your fryer heats the oil or fat, the green section of the indicator is gradually ousted by the red section. This corresponds with the ageing process of oil or fat.

- Discard the old oil/fat when the indicator shows fully red (fig. 11). Of course, you can safely finish frying.
- Do not forget to reset the oil/fat condition indicator to green after refreshing the oil/fat. Press the reset button (fig. 12).

Please note:

- Frying food which contains much protein (e.g. fish, meat), frying at too high temperatures and charred particles may make it necessary to advance oil/fat refreshment.
- The indicator is optimized for normal quality oil/fat.

However, pure vegetable fat or oil containing polyunsaturated acids are often

recommended by health specialists.

Please note that these types of fat and oil must be refreshed sooner than other types to maintain their good qualities. Also, the fryer must be cleaned more frequently.

Cleaning

- Remove the mains plug from the wall socket. Allow the fryer to cool down sufficiently.
 - Pour out the oil or liquid fat.
 - Wipe the outside of the fryer clean with a damp cloth (if so required add some detergent) and/or paper tissue.
 - Remove fat / oil residue from the inside of the fryer with a spatula and kitchen paper.
 - Pour hot water with a washing-up agent into the fryer. Ensure that the level of this soapy water is a little higher than that of the oil / fat you have used.
 - Allow the soapy water to act for 30 to 45 minutes.
 - Wash the inside with a brush.
 - Empty the fryer and rinse it with hot water. (Do not rinse under the tap: use e.g. a cup for this purpose.)
- Ensure that water does not enter the appliance.
- Wash the frying basket in hot water with a washing-up agent and rinse it well. Do not clean the basket in a dishwasher.
 - Always dry the inside and the outside of the fryer thoroughly after cleaning.

Permanent filter

Your deep fat fryer is equipped with a permanent vapour filter.

We advise you to clean this metal filter at regular intervals.

- Press the release button to open the fryer lid (fig. 2).
- Put the lid in upright position and pull it out of its hinges (fig. 9).
- Put the entire lid into hot soapy water and let it be there for 5 - 10 minutes (fig. 13).
- Rinse the lid with hot water. Shake the remaining water out of the lid and let it dry.

Wiring Instructions (for UK only):

Please turn to page 2

Important

- Lisez attentivement le mode d'emploi et examinez les illustrations (p. 3 et 50) avant de mettre l'appareil en service.
- Avant de brancher l'appareil, vérifiez que le voltage indiqué sous l'appareil corresponde bien à la tension électrique dans votre habitation.
- Ne plongez jamais la friteuse dans l'eau.
- Avant la première utilisation, nettoyez les différents éléments avec un chiffon humide. Séchez-les soigneusement avant de remplir la friteuse d'huile ou de graisse.
- Ne branchez jamais la friteuse avant de l'avoir remplie d'huile ou de graisse.
Si vous faites fondre de la graisse: branchez la friteuse sur 160° C et ne faites monter la température que quand la graisse aura fondu. Faites fondre les morceaux de graisse au fond de la friteuse, mais pas dans le panier.
- Utilisez uniquement des types d'huile ou de graisse convenant pour la friture. Vous trouverez cette information sur l'emballage de ces produits.
- La quantité d'huile ou de graisse dans la friteuse doit toujours se situer entre les niveaux MIN et MAX.
Vérifiez toujours qu'il y a suffisamment d'huile ou de graisse dans la friteuse avant de l'utiliser.
- Ne dépassez pas les quantités maximum indiquées sur le tableau. Ne remplissez jamais le panier à plus de 3/4 de sa capacité.
Si le panier est trop plein, de l'huile ou de la graisse chaude pourrait déborder de la friteuse.
- Pendant la friture, de la vapeur chaude s'échappe du filtre. Eloignez vos mains et votre visage de cette vapeur.
- Pendant l'utilisation, gardez la friteuse hors de la portée des enfants (graisse brûlante!).
- Évitez aussi que le cordon électrique dépasse du bord de la table ou du plan de travail.
- Débranchez l'appareil après utilisation afin de laisser refroidir l'huile ou la graisse. Ne déplacez la friteuse qu'après refroidissement suffisant.
- La paroi intérieure de votre friteuse a un revêtement qui n'attache pas. Pour ne pas endommager ce revêtement, évitez de le toucher avec des objets métalliques. Placez et enlevez le panier avec précaution. N'utilisez pas de produits à récurer tels que abrasif (liquide), poudre à récurer, tampon à récurer ou paille de fer.
- Conservez ce mode d'emploi.

Description générale (fig.1)

- A Poignée du couvercle.
- B Bouton de déverrouillage du couvercle.
- C Filtre permanent.
- D Hublot de contrôle.
- E Charnière.
- F Récupérateur de l'eau de condensation.
- G Voyant lumineux.
- H Bouton de réglage de température.
- I Poignée du panier.
- J Bouton de verrouillage du panier.
- K Panier égouttoir.
- L Cordon électrique (peut être rangé dans l'appareil).
- M Bec verseur
- N Indications sur la température correcte de friture.
- O Minuterie

- P Sonnerie
- Q Indicateur d'état de l'huile ou de la graisse
- R Bouton de réarmement (pour l'indicateur huile/graisse)

Avant la première utilisation

- Lavez le panier à l'eau chaude savonneuse.
- Versez un peu d'eau chaude savonneuse dans la friteuse et lavez soigneusement les parois intérieures.
- Rincez à l'eau claire (à l'aide d'une casserole par exemple). Essayez soigneusement.

Friture

- Poussez sur le bouton de déverrouillage (B). Le couvercle s'ouvre automatiquement (fig. 2).
- Si vous utilisez de la graisse fraîche, levez d'abord le panier en position haute en soulevant la poignée à l'horizontale jusqu'au déclic (fig. 3). Sortez le panier (fig. 4). Remplacez le panier dans la cuve dès que toute la graisse a fondu.
- Si vous utilisez de l'huile, vous pouvez laisser le panier dans la cuve pendant le réchauffement. (Vous pouvez également procéder ainsi pour réchauffer de la graisse qui a déjà servi et qui s'est figée autour du panier.)
- Remplissez la friteuse (sèche) d'huile ou de graisse jusqu'au repère MAX (2,5 litres d'huile ou 2250 grammes de graisse) (fig. 5). N.B. Ne mélangez jamais deux sortes différentes de graisse et/ou d'huile.
- Tirez de l'appareil la longueur de cordon électrique nécessaire. L'excédent de cordon peut être repoussé dans l'appareil.
- Si vous enduisez préalablement avec un peu d'huile la paroi intérieure du hublot de contrôle, vous éviterez que de la buée ne s'y dépose en cours de friture.
- Fermez le couvercle: l'huile ou la graisse chauffera ainsi plus vite (le couvercle se verrouille automatiquement).
- Branchez l'appareil.
- Si vous utilisez de la graisse, mettez d'abord le bouton de réglage de température sur 160° C. Attendez que toute la graisse soit fondue.
- Réglez le bouton de température sur la position qui convient le mieux pour l'aliment que vous voulez frire. Référez-vous au tableau dans ce mode d'emploi ou aux indications portées sur l'appareil.
- Si vous utilisez de l'huile, vous pouvez régler immédiatement le bouton de température sur la position recommandée.
- Le voyant lumineux s'éteint et s'allume régulièrement. Après environ 10 à 15 minutes, l'huile ou la graisse a atteint la bonne température.
- Appuyez sur le bouton de déverrouillage (1) pour ouvrir le couvercle (2) (fig. 2).
- Mettez la poignée en position horizontale (fig. 3) et sortez prudemment le panier de la friteuse (fig. 4).
- Déposez les aliments à frire dans le panier.
- Remettez prudemment le panier dans la friteuse (fig. 6) et fermez le couvercle. Si le couvercle ne ferme pas bien, appuyez fortement dessus.
- Déverrouillez (1) la poignée du panier et poussez-la vers le bas (2) (fig. 7).
- Vous pouvez régler la minuterie à la durée de friture nécessaire. Pour cela tournez préalablement le bouton dans le sens horaire jusqu'à "15". Puis tournez-le ensuite dans le sens anti-horaire jusqu'au temps nécessaire pour la friture.
Nota: La minuterie sonne à la fin du temps réglé mais n'arrête pas la friteuse.
- A travers le hublot de contrôle, vous pouvez surveiller la friture sans ouvrir le couvercle. Au début, il se peut que de la buée se dépose sur le hublot. Celle-ci disparaîtra d'elle-même.
- Pour obtenir une friture uniformément dorée, secouez le panier de temps à autre pendant la friture tout en laissant le couvercle fermé (fig. 8).
- En fin de cuisson, relevez le panier en position haute en mettant la poignée à l'horizontale (déclit). Laissez la friture s'égoutter. Appuyez sur le bouton de déverrouillage pour ouvrir le couvercle (fig. 2).
- Si nécessaire, secouez le panier au-dessus de la cuve pour éliminer l'excédent d'huile.
- Sortez le panier de la friteuse et versez son contenu dans une passoire recouverte de papier absorbant.
- Grâce à la finesse des mailles du panier, les particules des aliments sont récupérées lorsque vous retirez le panier de la friteuse. Jetez-les car les laisser se carboniser affecterait le goût des fritures suivantes.
- Après utilisation, débranchez l'appareil.
- Quand la cuvette ramasse-gouttes est pleine : appuyez sur le bouton de déverrouillage pour ouvrir le couvercle de la friteuse (fig. 2); mettez le couvercle en position verticale et sortez-le de ses charnières (fig. 9); videz l'eau de la cuvette (fig. 10).
- Rangez la friteuse après avoir rabattu le couvercle. Vous éviterez ainsi que de la poussière entre dans la cuve.
- Repoussez le cordon dans son compartiment.

Température	Type d'aliment	Quantités maximales		Temps de cuisson *) (en min.)
		non congelé	congelé	
160 °C	Poulet (filet, pilon)	300 g	200 g	20-25
170 °C	Croquettes au fromage	4 pcs.	3 pcs.	5
	Beignets aux crevettes	4-5 pcs.		2-4
180 °C	Beignets aux pommes	4-5 pcs.		4-5
	Beignets au fromage	4-5 pcs.		2-4
	Poisson pané	5 pcs.	3 pcs.	5
	Boulettes de viande	10-13 pcs.		4-5
	Moules	10-12 pcs.		2½-3
190 °C	Beignets	3-4 pcs.		2-4
	Doughnuts	3 pcs.	2 pcs.	6-8
	Frites **)	350 g	250 g	5
	Escalope farcie	2-3 pcs.		3-4
	Croquettes de poisson	4 pcs.	3 pcs.	5
	Croquettes de viande	4 pcs.	3 pcs.	5
	Croquettes de pommes de terre	4 pcs.	3 pcs.	5
	Chips	350 g	250 g	5
	Wiener Schnitzel	2 pcs.		2½-3

*) Pour les aliments congelés, le temps de cuisson peut être plus long.

**) Pour les frites fraîches, voir le chapitre "pommes de terre frites".

Tableau

Le tableau suivant indique ce que vous pouvez préparer dans la friteuse ainsi que les températures et les temps de cuisson à observer. Le tableau indique aussi la quantité maximale par préparation pour un résultat optimal. De plus grosses quantités (par ex. 500 g de frites surgelées) peuvent bien sûr être utilisées. Le résultat sera toutefois moins croustillant et le temps de friture requis sera plus long.

Pommes de terre frites

Pour réussir de belles frites bien croustillantes:

- Employez de préférence des pommes de terre qui ne sont pas trop nouvelles.
- Coupez les pommes de terre en tranches épaisses, puis en bâtonnets. Versez-les dans une passoire et rincez-les à l'eau froide: ainsi elles ne se colleront pas les unes aux autres lors de la cuisson. Séchez-les ensuite (avec du papier essuie-tout).
- Faites cuire les frites **en deux tournées de cuisson**:
 - la première à 160° C (8 à 10 minutes)
 - la seconde à 190° C (2-4 minutes).
 Secouez le panier régulièrement au cours de la

seconde cuisson pour que les frites brunissent uniformément.

Aliments surgelés

Les aliments qui sortent du congélateur ou du compartiment freezer de votre réfrigérateur (-16 à -18° C) refroidissent fortement la graisse ou l'huile dans laquelle vous les plongez et absorbent ainsi trop d'huile ou de graisse.

- Pour cette raison, ne mettez pas de trop grosses quantités à la fois dans la friteuse.
- Laissez la friteuse atteindre la bonne température (environ 15 à 20 minutes) avant d'y plonger les aliments congelés. **Pour cela, placez le bouton de température sur la position indiquée sur l'emballage du produit surgelé.** A défaut, choisissez la plus haute température (190 °C). Ces recommandations sont aussi valables pour certains mets qui doivent être préparés avec précaution, tels que les croquettes de viande. Les frites surgelées sont pré-cuites et peuvent être cuites en une seule fois: max. 250 g à 190° C pendant 5 minutes environ. Les aliments surgelés contiennent souvent beaucoup de glace. Il est préférable de les laisser décongeler une demi-heure avant de les

frire. Secouez-les au-dessus de l'évier pour les débarrasser autant que possible de l'excédent d'eau et de glace.

Plongez doucement le panier et son contenu dans la friteuse car les surgelés font bouillonner la graisse chaude qui risquerait de déborder.

Recommandations

- Employez de préférence de la graisse végétale ou de l'huile végétale contenant des acides gras poly-insaturés.
- Renouvelez régulièrement la totalité de l'huile ou de la graisse. Ne rajoutez jamais d'huile ou de graisse fraîche dans la friture usagée.
- En général, l'huile et la graisse se dégradent plus vite quand on y fait frire des aliments riches en protéines (comme viande et poisson). Si vous utilisez principalement votre friture pour les pommes de terre et que vous la filtrez après chaque utilisation, elle pourra servir 10 à 12 fois. Cependant, ne la gardez pas plus de 6 mois. Il faut alors la jeter de la façon suivante: vous placez l'huile (refroidie) dans une bouteille et la graisse (figée) dans un journal. Pour vous débarrasser de la graisse figée dans la friteuse, faites chauffer la friteuse pendant environ une minute à 160° C pour que la graisse fonde et n'adhère plus sur les bords.
- En tous cas, remplacez la totalité de la graisse ou de l'huile lorsque celle-ci se met à grésiller en chauffant, qu'elle dégage une forte odeur, qu'elle prend un goût prononcé, qu'elle fonce et/ou qu'elle devient sirupeuse.
- Veillez à ce que les aliments soient aussi secs que possible quand vous les plongez dans la friture chaude.
- Si vous n'utilisez pas régulièrement votre friteuse, il est préférable de conserver l'huile dans une bouteille de verre bien fermée que vous placerez dans le réfrigérateur. La graisse doit être conservée de préférence dans un pot ou un bocal fermé (en verre ou en grès).
Ne conservez donc pas trop longtemps l'huile ou la graisse dans la friteuse.

Éliminer les mauvais goûts

Certains aliments, notamment le poisson, peuvent perdre un peu de leur jus pendant la cuisson et dénaturer ainsi le goût et l'odeur des aliments qui seront frits ultérieurement.

Pour remédier à cet inconvénient (ou l'éviter), chauffez d'abord l'huile ou la graisse à 160° C, puis mettez deux fines tranches de pain (de 5 à 6 mm d'épaisseur) dans la friteuse. Attendez qu'il n'y ait plus de petites bulles d'air et que le pain brunisse. Retirez-le alors de la friteuse et jetez-le. La graisse ou l'huile a de nouveau un goût neutre.

Indicateur d'état de l'huile ou de la graisse

Votre friteuse est équipée d'un indicateur d'état de l'huile ou de la graisse pour vous rappeler quand la changer.

Pendant que votre friteuse chauffe l'huile ou la graisse, la partie verte de l'indicateur est progressivement remplacée par une partie rouge. Ceci correspond au vieillissement de l'huile ou de la graisse.

- Remplacez l'huile ou la graisse quand l'indicateur est devenu complètement rouge (fig. 11). Vous pouvez néanmoins terminer votre friture sans problème.
- N'oubliez pas de remettre l'indicateur dans la position verte après renouvellement de l'huile ou de la graisse, en appuyant sur le bouton de réarmement (fig. 12).

Nota :

- Les aliments à frire qui contiennent beaucoup de protéines (par exemple le poisson, la viande) cuisent à des températures élevées et les particules en suspension peuvent rendre nécessaire un renouvellement plus rapide de l'huile ou de la graisse.
- L'indicateur est approprié pour une huile ou une graisse de qualité normale. Cependant, les huiles ou graisses végétales pures contenant des acides polyinsaturés sont souvent préconisées par les spécialistes de la santé.
Notez que ces types d'huiles ou de graisses doivent être renouvelées plus rapidement que les autres types pour conserver leurs bonnes qualités. La friteuse doit aussi être nettoyée plus fréquemment.

Nettoyage

- Débranchez l'appareil.
Laissez refroidir la friteuse suffisamment.
- Videz l'huile ou la graisse liquide.
- **Extérieur de la friteuse:** Utilisez un chiffon légèrement humide (éventuellement avec un détergent pour vaisselle) et/ou du papier essuie-tout.
- **Intérieur de la friteuse:** Enlevez les résidus de graisse/d'huile de l'intérieur de la friteuse avec une spatule et de l'essuie-tout.
- Versez de l'eau chaude avec un peu de liquide vaisselle dans la friteuse. Assurez-vous que le niveau de l'eau est plus haut que celui de l'huile/graisse que vous avez utilisée.
- Laissez agir l'eau savonneuse pendant 30 à 45 minutes.
- Lavez l'intérieur à la brosse.
- Videz la cuve et rincez-la (ne mettez pas l'appareil sous le robinet, versez de l'eau dans la cuve à l'aide d'une casserole par exemple). Prenez garde de ne pas laisser entrer d'eau dans l'appareil.
- Lavez le panier à l'eau chaude savonneuse, mais pas au lave-vaisselle, et rincez-le soigneusement.
- Après le nettoyage, séchez bien l'intérieur et l'extérieur de la friteuse.

Filtre permanent

Ce type de friteuse est équipé d'un filtre permanent pour la vapeur.
Nous vous conseillons de nettoyer régulièrement ce filtre métallique.

- Appuyez sur le bouton de déverrouillage (B) (fig. 2).
- Rabattez le couvercle verticalement et dégagez-le de sa charnière (fig. 9).
- Plongez le couvercle entier dans de l'eau chaude savonneuse et laissez-le tremper ainsi pendant 5 à 10 minutes (fig. 13).
- Rincez le filtre soigneusement à l'eau chaude et laissez-le sécher.

Wichtig

- Lesen Sie diese Gebrauchsanweisung sorgfältig durch, und sehen Sie sich dabei die Abbildungen (Seiten 3 und 50) an, bevor Sie das Gerät zum ersten Mal benutzen.
- Prüfen Sie vor Inbetriebnahme, ob die Spannungsangabe auf der Unterseite des Geräts mit der örtlichen Netzspannung übereinstimmt.
- Tauchen Sie das Gerät niemals in Wasser.
- Schließen Sie das Gerät nur an eine Schutzkontakt-Steckdose an.
- Reinigen Sie die verschiedenen Teile vor Gebrauch mit einem feuchten Tuch. Lassen Sie alles gut trocknen, bevor Sie die Friteuse mit Öl oder Fett füllen.
- Schalten Sie das Gerät erst ein, nachdem es mit Öl oder Fett gefüllt worden ist. Wenn Sie Fett einfüllen: Legen Sie das Fett auf den Boden der Friteuse - nicht in den Fritierkorb. Stellen Sie den Temperaturregler auf 160° C. Erhöhen Sie die Temperatur erst, wenn alles Fett geschmolzen ist.
- Verwenden Sie nur Fette/Öle, die zum Fritieren geeignet sind. Eine entsprechende Information ist auf den Verpackungen der Fette/Öle zu finden.
- Füllen Sie die Friteuse so, daß die Oberfläche des Öles bzw. des Fettes zwischen den Markierungen "MIN" und "MAX" steht.
- Achten Sie vor dem Fritieren immer darauf, daß noch genügend Fett/Öl in der Friteuse ist.
- Überschreiten Sie nie die Höchstmengen, die in der Tabelle aufgeführt sind. Füllen Sie den Fritierkorb nicht mehr als auf Dreiviertel seiner Höhe. Geben Sie mehr hinein, kann das Fett/Öl überlaufen.
- Während des Fritierens kommt heißer Dampf durch den Filter. Kommen Sie nicht mit Gesicht oder Händen in seine Nähe!
- Halten Sie das Gerät mit heißem Fett jederzeit von Kindern fern.
- Lassen Sie das Kabel nicht über die Standfläche hängen, damit das Gerät nicht hinabgezogen werden kann.
- Ziehen Sie nach Gebrauch den Stecker aus der Steckdose, und lassen Sie das Fett/Öl abkühlen.
- Die Innenwand Ihrer Friteuse ist mit einer Antihafschicht versehen. Um eine Beschädigung dieser Schicht zu vermeiden, die Berührung mit Metallgegenständen vermeiden. Den Fritierkorb vorsichtig einsetzen und herausnehmen. Verwenden Sie keine scharfen Reinigungsmittel und Produkte wie (flüssige) Scheuermittel, Schmirgelmittel, Metallschwämmchen, Draht- oder Stahlwolle. Bewegen Sie das Gerät nicht, solange das Fett/Öl noch heiß ist!
- Bewahren Sie die Gebrauchsanweisung auf.

Allgemeine Beschreibung (Abb. 1)

- A Deckelgriff
- B Deckelauslöser
- C Dauer-Dunstoffilter
- D Sichtfenster
- E Scharnier
- F Kondenswasserbehälter
- G Kontrollampe
- H Temperaturregler
- I Griff des Fritierkorbs
- J Fritierkorbauslöser
- K Fritierkorb
- L Netzkabel, kann in das Gerät zurückgeschoben werden.
- M Tülle

- N Hinweise zur Wahl der Temperatureinstellung
- O Zeituhr, Drehschalter
- P Signalgeber der Zeituhr
- Q Öl/Fettwechselanzeige
- R Rückstellknopf der Öl/Fettwechselanzeige

Vorbereitung zum Gebrauch

- Spülen Sie den Fritierkorb in heißem Wasser, dem Sie etwas Spülmittel zugesetzt haben.
- Gießen Sie vorher etwas von diesem Wasser in die Friteuse und reinigen Sie sorgfältig die Innenseiten.
- Spülen Sie gründlich mit klarem Wasser nach. Halten Sie das Gerät dazu nicht unter den Wasserhahn, sondern verwenden Sie ein Gefäß.
- Trocknen Sie gut ab.

Fritieren

Drücken Sie den Auslöseknopf (B). Der Deckel öffnet sich selbsttätig (Abb. 2).

- Bevor Sie frisches Fritierfett einfüllen (und kein Öl), so stellen Sie zuerst den Griff waagrecht ("Klick") (Abb. 3), dann kommt der Fritierkorb hoch. Nehmen Sie ihn jetzt heraus (Abb. 4). Sie können den Fritierkorb wieder einsetzen, sobald das Fett geschmolzen ist.
- Wenn Sie Öl einfüllen wollen, können Sie den Fritierkorb in der Friteuse belassen. (Das ist auch möglich, wenn Sie vorher bereits verwendetes Fett aufgeheizt haben und es in der Friteuse und am Fritierkorb völlig geschmolzen ist.)
- Füllen Sie die trockene Friteuse mit Öl oder Fett bis zur Markierung "MAX". Das entspricht 2,5 Liter Öl oder 2250 g Fett (Abb. 5). Wichtig: Mischen Sie niemals verschiedene Sorten Fett und/oder Öl.
- Ziehen Sie das benötigte Netzkabel heraus.
- Wenn Sie die Unterseite des Sichtfensters mit ein wenig Öl einreiben, bleibt es während des Fritierens klar. Es kann sich dann kein Kondenswasser niederschlagen.
- Schließen Sie den Deckel: Das Fett/Öl wird so schneller heiß. Der Deckel wird automatisch verriegelt.
- Stecken Sie den Stecker in die Steckdose.
- Stellen Sie den Temperaturregler auf 160° C, wenn Sie Fett verwenden, und warten Sie, bis es völlig geschmolzen ist.
- Stellen Sie den Temperaturregler auf die Position, die für die Zubereitung der jeweiligen Speise empfohlen wird. Beachten Sie die Tabelle in dieser Gebrauchsanweisung oder die Angaben auf dem Gerät.
- Wenn Sie Öl verwenden, können Sie sofort die zum Fritieren erforderliche Temperatur einstellen.
- Nach ca. 10 bis 15 Minuten, wenn die Kontrollampe mehrmals an- und ausgegangen ist, hat das Fett/Öl die richtige Temperatur erreicht.
- Drücken Sie den Deckelauslöser (1), um die Friteuse (2) zu öffnen (Abb. 2).
- Stellen Sie den Handgriff waagrecht (Abb. 3), und nehmen Sie den Fritierkorb vorsichtig aus dem Gerät (Abb. 4).
- Füllen Sie den Fritierkorb.
- Setzen Sie den Fritierkorb vorsichtig in die Friteuse zurück (Abb. 6).
- Schließen Sie den Deckel. Drücken Sie notfalls an der Vorderkante etwas nach.
- Entriegeln Sie (1) den Griff des Fritierkorbs und klappen Sie ihn nach unten (2) (Abb. 7).
- Sie können die Zeitschaltuhr auf die gewünschte Fritierzeit einstellen. Drehen Sie den Schalter zuerst im Uhrzeigersinn auf "15". Und dann stellen Sie ihn zurück auf die gewünschte Fritierzeit. Sie werden dann zur rechten Zeit erinnert, ohne daß dann die Friteuse abgeschaltet wird!
- Sie können den Fritiervorgang durch das Sichtfenster beobachten. Anfangs kann sich etwas Kondenswasser niederschlagen. Das legt sich später.
- Sie erzielen eine gleichmäßige Bräunung, wenn Sie den Fritierkorb hin und wieder anheben und das Fritiergut ein wenig schütteln. Halten Sie dabei den Deckel geschlossen (Abb. 8).
- Nach Ablauf der Fritierzeit klappen Sie den Griff wieder hoch ("Klick"); der Fritierkorb kommt hoch. Lassen Sie das Fritiergut abtropfen. Drücken Sie dann den Deckelauslöser (Abb. 2), um den Deckel zu öffnen.
- Schütteln Sie bei Bedarf den Fritierkorb über der Friteuse, um überschüssiges Fett/Öl zu entfernen.
- Legen Sie ein Küchensieb mit fettaufsaugendem Papier aus und schütten Sie das Fritiergut hinein.
- Wenn der Fritierkorb herausgehoben wird, werden wegen seiner feinen Struktur kleinste Speiseteilchen aus dem Öl bzw. Fett herausgesiebt. Entfernen Sie diese aus dem Fritierkorb, sonst verkohlen sie und beeinträchtigen die Qualität des Öls bzw. Fettes.
- Ziehen Sie nach dem Fritieren den Stecker aus der Steckdose.
- Wenn der Behälter für Tropfwasser voll ist:
 - den Auslöseknopf für die Öffnung des Deckels eindrücken, (Abb. 2),
 - den Deckel in eine aufrechte Position bringen und aus dem Scharnier ziehen (Abb. 9),
 - das Tropfwasser aus dem Behälter gießen (Abb. 10).
- Bewahren Sie die Friteuse mit aufgesetztem Deckel auf. Das hält Verunreinigungen fern.
- Schieben Sie das Netzkabel in den Kabelstauraum des Geräts zurück.

Temperatur	Art der Speise	Höchstmenge		Fritierzeit *) (in Minuten)
		frisch	gefroren	
160 °C	Huhn, Hähnchen (Filet, Keule)	300 g	200 g	20-25
170 °C	Käse-Kroketten Shrimp-Beignet	4 Stk. 4-5 Stk.	3 Stk.	5 2-4
180 °C	Apfel-Beignet Käse-Beignet Fisch-Stäbchen Fleischbällchen Muscheln	4-5 Stk. 4-5 Stk. 5 Stk. 10-13 Stk. 10-12 Stk.	3 Stk.	4-5 2-4 5 4-5 2½-3
190 °C	Frikadellen Krapfen Pommes frites **) Cordon bleu Fisch-Kroketten Fleisch-Kroketten Kartoffel-Kroketten Kartoffel-Chips Wiener Schnitzel	3-4 Stk. 3 Stk. 350 g 2-3 Stk. 4 Stk. 4 Stk. 4 Stk. 350 g 2 Stk.	2 Stk. 250 g 3 Stk. 3 Stk. 3 Stk. 250 g	2-4 6-8 5 3-4 5 5 5 5 2½-3

*) Die Zubereitungszeit für tiefgefrorene Speisen kann höher sein, als in der Tabelle angegeben.
 **) Zu Pommes frites aus frischen Kartoffeln vgl. den folgenden Abschnitt "Pommes frites".

Tabelle

Die folgende Tabelle zeigt, welche Speisen mit der Friteuse in einem Arbeitsgang zubereitet werden können, bei welcher Temperatur und wie lange zu fritieren ist.

Der Tabelle sind auch die Höchstmengen pro Fritiergang zu entnehmen, mit denen ein optimales Ergebnis erzielt wird.

Es können natürlich auch größere Mengen (z.B. 500 g gefrorene Pommes frites) verwendet werden. Allerdings führt dies zu weniger knusprigen Produkten und die Fritierzeit verlängert sich.

Pommes frites

So erhalten Sie die schönsten und knusprigsten Pommes frites:

- Nehmen Sie keine neuen Kartoffeln.
- Schneiden Sie die Kartoffeln zuerst in dicke Scheiben und dann in längliche Stäbchen. Spülen Sie die Stäbchen in einem Sieb unter kaltem Leitungswasser ab, damit sie beim Fritieren nicht aneinanderkleben. Trocknen Sie die Kartoffelstäbchen, z.B. mit Haushaltspapier.
- Pommes frites werden in **zwei Stufen** zubereitet:

- **zunächst 8 bis 10 Minuten bei 160° C,**
- **danach 2 bis 4 Minuten bei 190° C.**

Schütteln Sie den Fritierkorb während der zweiten Stufe in kurzen Abständen, dann werden die Pommes frites rundherum goldbraun.

Tiefkühlkost

Speisen aus einem Tiefkühlgerät oder Tiefkühlfach (-16°/-18° C) kühlen beim Eintauchen das heiße Fett/Öl stark ab, so daß zu viel Fett/Öl absorbiert werden kann.

- Geben Sie darum niemals größere Portionen in die Friteuse.
- Heizen Sie die Friteuse 15 bis 20 Minuten auf die erforderliche Temperatur auf, bevor Sie eine Portion Tiefkühlkost fritieren.

Stellen Sie den Temperaturregler auf den Wert, der auf der Packung angegeben ist.

Fehlt ein solcher Hinweis, so setzen Sie den Temperaturregler auf die höchste Position (190° C).

Diese Hinweise gelten auch für andere Speisen, die eine präzise Zubereitung verlangen, z.B. für Fleisch-Kroketten.

Tiefgekühlte Pommes frites sind vorfritiert und

max. 250 g können in 5 Minuten bei 190° C in einem Arbeitsgang zubereitet werden.

- Tiefkühlkost enthält oft zu viel Eis. Lassen Sie es vor dem Fritieren am besten eine halbe Stunde tauen, und gießen Sie das Wasser ab. Senken Sie dann das Fritiergut langsam in das Fett/Öl, damit sich keine Blasen und Spritzer bilden.

Hinweise

- Verwenden Sie Fett/Öl, das zum Fritieren geeignet ist, d.h. Pflanzenöl oder -fett mit einem hohen Anteil an mehrfach ungesättigten Fettsäuren.
- Wechseln Sie das Fett/Öl regelmäßig. Setzen Sie niemals frisches Fett/Öl dem gebrauchten zu.
- Im allgemeinen wird das Fett/Öl ziemlich schnell unbrauchbar, wenn eiweißhaltige Speisen (z.B. Fleisch oder Fisch) frittiert werden. Wenn das Fett/Öl vorwiegend für die Zubereitung von Pommes frites verwendet und nach jedem Gebrauch gefiltert wird, kann es 10- bis 12mal verwendet werden. Wechseln Sie es aber nach spätestens sechs Monaten. Geben Sie Ihr gebrauchtes Fett/Öl nicht in den normalen Hausmüll, sondern geben Sie es bei den offiziellen örtlichen Sammelstellen für Problemstoffe ab. Abgekühltes Öl können Sie in einer Flasche aufbewahren, erstarrtes Fett in seiner alten Verpackung oder in Zeitungspapier. Erstarrtes Fett kann leicht aus dem Gerät entfernt werden, wenn es für ca. eine Minute bei 160° C erwärmt wird; es schmilzt dann an den Rändern und klebt nicht mehr an den Wänden.
- Wechseln Sie das Öl bzw. Fett auf jeden Fall aus, wenn es beim Aufheizen schäumt, wenn es einen Stich angenommen hat, ranzig ist oder dunkel und/oder dickflüssig geworden ist.
- Vergewissern Sie sich, daß die Speisen trocken sind, bevor Sie sie in das heiße Öl bzw. Fett geben.
- Reinigen Sie die Friteuse mit Haushaltspapier, auch die Innenwände.
- Wenn Sie die Friteuse nur gelegentlich verwenden, so verwahren Sie das Öl am besten in einem (Glas-)Gefäß, möglichst im Kühlschrank, und Fett in einem gut verschlossenen Gefäß aus Glas oder Steingut. Es ist nicht ratsam, Fett oder Öl längere Zeit in der Friteuse stehen zu lassen.

Wenn das Fett/Öl einen Beigeschmack hat ...

Bestimmte Speisen (besonders Fisch) können beim Fritieren etwas Flüssigkeit abgeben, was sich nachteilig auf den Geschmack der Speisen auswirkt, die später in dem selben Fett/Öl frittiert werden.

Um diesen Beigeschmack zu beseitigen, erhitzen Sie das Fett/Öl auf 160° C und geben dann zwei Scheiben Brot von ca. 5 bis 6 mm Dicke hinein. Wenn keine Luftblasen mehr aufsteigen und das Brot rundherum braun ist, nehmen Sie es aus der Friteuse und werfen es fort.

Das Fett/Öl hat jetzt wieder einen neutralen Geschmack.

Öl/Fettwechselanzeige

Sie können die Brauchbarkeit des Öles/Fettes in Ihrem Gerät überprüfen.

Beim Aufheizen des Öles/Fettes wechselt das grüne Feld in der Anzeige, dem Altern des Öles/Fettes entsprechend nach und nach auf ein rotes Anzeigefeld.

- Wenn die Anzeige nur noch Rot anzeigt (Abb. 11), ersetzen Sie das Öl/Fett nach Abschluß des laufenden Fritiervorgangs.
- Wenn Sie das Öl/Fett ausgetauscht haben, drücken Sie den Rückstellknopf (R), und die Anzeige zeigt wieder ein grünes Feld (Abb. 12).

Wichtige Hinweise

- Stark eiweißhaltiges Fritiergut wie Fleisch und Fisch, Fritieren bei zu hoher Temperatur und verkohlte Partikel können vorzeitigen Austausch des Öles/Fettes notwendig machen.
- Die Anzeige ist auf die gebräuchliche Qualität von Öl/Fett eingestellt. Pflanzenöle und -fette mit mehrfach ungesättigten Fettsäuren, die von vielen Ernährungsfachleuten zum Fritieren empfohlen werden, müssen zum Erhalt ihrer Qualität häufiger als andere Öle/Fette ausgetauscht werden. Wir bitten Sie, dies zu berücksichtigen.

Reinigung

- Ziehen Sie den Stecker aus der Steckdose. Die Friteuse ausreichend abkühlen lassen.
- Das Öl oder flüssige Fett abgießen.
- **Außen:** Wischen Sie das Gerät mit einem feuchten Tuch oder mit Haushaltspapier ab. Sie können dem Wasser etwas Spülmittel zufügen.
- **Innen:** Fett- oder Ölrückstände mit einem Spatel oder mit Küchenpapier aus der Friteuse entfernen.
- Gießen Sie heißes Wasser, dem Sie etwas Spülmittel zugefügt haben, in die Fritierwanne. Achten Sie darauf, daß der Wasserspiegel höher steht als zuvor der Fett-/Ölspiegel.
- Das Seifenwasser 30 bis 45 Minuten einweichen lassen.
- Das Innere mit einer Bürste reinigen.
- Leeren Sie die Friteuse, und spülen Sie mit heißem Wasser nach. Halten Sie das Gerät nicht unter fließendes Wasser, sondern verwenden Sie ein geeignetes Gefäß, z.B. eine Tasse. Achten Sie darauf, daß kein Wasser in die elektrischen Teile gelangt.
- Spülen Sie den Fritierkorb in heißem Wasser, dem Sie etwas Spülmittel zugefügt haben. Geben Sie ihn nicht in den Geschirrspüler.
- Trocknen Sie die Innen- und Außenwände nach der Reinigung immer sorgfältig ab.

Der Dauer-Dunstfilter

Ihre Friteuse ist mit einem permanent wirksamen Dunstfilter versehen. Dieser Metallfilter sollte regelmäßig gereinigt werden.

- Drücken Sie auf den Deckelauslöser (Abb. 2). Stellen Sie den Deckel aufrecht und ziehen Sie ihn aus dem Scharnier (Abb. 9).
- Legen Sie den ganzen Deckel 5 bis 10 Minuten lang in heißes Wasser, dem Sie etwas Spülmittel zugesetzt haben (Abb. 13).
- Spülen Sie den Deckel sorgfältig mit klarem heißem Wasser ab und lassen Sie ihn anschließend trocknen.

Belangrijk

- Lees de gebruiksaanwijzing en bekijk de illustraties (pag. 3 en 50) voordat u het apparaat in gebruik neemt.
- Controleer, voordat u het apparaat aansluit, of de spanning die op de onderzijde van het apparaat staat aangegeven, dezelfde is als de netspanning in uw woning.
- Dompel de frituurpan nooit in water.
- Maak voor het eerste gebruik de verschillende onderdelen met een vochtige doek schoon. Zorg dat ze goed droog zijn voordat u de frituurpan met olie of vet vult.
- Schakel de frituurpan pas in nadat u hem met olie of vet hebt gevuld.
Als u vet smelt: schakel de frituurpan in op 160° C en kies pas een hogere temperatuur wanneer al het vet is gesmolten. Smelt de stukken vet op de bodem van de pan: niet in het frituurmandje.
- Gebruik uitsluitend soorten olie en vet die geschikt zijn om in te frituren. Deze informatie kunt u op de verpakking van die producten vinden.
- Vul de pan met olie of vet altijd tot een niveau tussen de maataanduidingen MIN en MAX. Controleer altijd of er nog voldoende olie/vet in de pan is, voordat u gaat frituren.
- Overschrijd niet de in de tabel aangegeven maximum hoeveelheden. Vul het mandje nooit hoger dan tot $\frac{3}{4}$.
Als u te veel voedsel in het mandje doet, kan heet vet/olie over de rand van de frituurpan komen.
- Tijdens het frituren komt er hete stoom door het filter. Houd uw handen en gezicht op veilige afstand van deze stoom.
- Houd bij het gebruik de frituurpan buiten bereik van kinderen (heet vet!).
- Laat daarom het snoer niet over de rand van de tafel of het aanrecht hangen.
- Trek na het gebruik de stekker uit het stopcontact waardoor de olie of het vet kan afkoelen. Verplaats de frituurpan pas als deze voldoende is afgekoeld.
- De binnenzijde van de frituurpan is voorzien van een anti-aanbaklaag. Zorg ervoor dat deze niet wordt beschadigd. Vermijd aanraking met metalen voorwerpen. Plaats en verwijder het frituurmandje altijd voorzichtig.
Gebruik geen soda en geen schurende of krassende schoonmaakmiddelen zoals (vloeibaar) schuurmiddel, pannespons, staalwol, schuurspons of schuurdoekje.
- Bewaar deze gebruiksaanwijzing.

Algemene beschrijving (fig. 1)

- A Dekselhandgreep
- B Ontgrendelknop van het deksel
- C Permanent filter
- D Kijkglas
- E Scharnier
- F Bakje voor condenswater
- G Controlelampje
- H Temperatuurknop
- I Handgreep van het frituurmandje
- J Vergrendelknop van het frituurmandje
- K Frituurmandje
- L Snoer (kan in het apparaat opgeborgen worden)
- M Schenkruit
- N Aanwijzingen m.b.t. de juiste frituurtemperatuur
- O Kookwekker: instelknop

- P Kookwekker: bel
- Q Olie/vet-kwaliteitsaanduiding
- R Reset knopje (voor olie/vet-kwaliteitsaanduiding)

Voor het eerste gebruik

- Was het mandje af in heet sop.
- Doe wat sop in de frituurpan en was de binnenkant van de pan daarmee goed af.
- Spoel na met schoon water. (Gebruik hiervoor bijvoorbeeld een kopje.) Droog goed af.

Frituren

- Druk op de ontgrendelknop (B). Het deksel gaat automatisch open (fig. 2).
- Als u nieuw frituurvet gebruikt, brengt u het frituurmandje in de hoogste stand, door het handvat horizontaal te zetten ("Klik!") (fig. 3). Neem vervolgens het mandje uit de pan (fig. 4). U kunt het mandje weer in de pan doen zodra alle vet gesmolten is.
- Wanneer u olie gebruikt, kunt u het mandje in de pan laten tijdens het opwarmen. (Dit kan vanzelfsprekend ook wanneer u vet wilt opwarmen dat al eerder is gebruikt, en dat in de pan en rond het frituurmandje is gestold.)
- Vul de (droge) frituurpan met olie of vet tot de indicatiestreek MAX (2,5 liter olie of 2250 gram vet) (fig. 5).
N.B.: Meng nooit twee verschillende soorten vet en/of olie.
- Trek het snoer tot de gewenste lengte uit het apparaat. Overtollig snoer kunt u in het apparaat terugduwen.
- Als u vooraf de onderzijde van het kijkglas inwrijft met wat olie, zult u tijdens het bakken geen last hebben van wasem op het glas.
- Sluit het deksel: dan is de olie/het vet het snelst warm. (Het deksel wordt automatisch vergrendeld.)
- Steek de stekker in het stopcontact.
- Indien u vet gebruikt, zet dan de temperatuurknop eerst op 160° C. Wacht totdat alle vet gesmolten is.
- Zet de temperatuurknop in de stand die voor de te bereiden etenswaren de meest geschikte is. Zie hiervoor de tabel in deze gebruiksaanwijzing of de aanwijzingen op het apparaat.
- Als u olie gebruikt, kunt u de temperatuurknop meteen in de voorgeschreven stand zetten.
- Wanneer het controlelampje een paar keren is uitgegaan (na 10 - 15 minuten), is de olie/het vet op de gewenste temperatuur.
- Druk op de ontgrendelknop (1) om het deksel (2) te openen (fig. 2).
- Zet de handgreep in horizontale stand (fig. 3) en til het frituurmandje voorzichtig uit de pan (fig. 4).
- Doe de etenswaren in het mandje.
- Plaats het frituurmandje weer voorzichtig in de pan (fig. 6) en sluit het deksel. Als het deksel niet meteen goed sluit, druk het dan nog even stevig omlaag.
- Ontgrendel (1) de handgreep van het frituurmandje en beweeg deze naar beneden (2) (fig. 7).
- U kunt de kookwekker instellen op de gewenste frituurtijd. Draai de knop eerst rechtsom tot "15". Draai de knop daarna linksom tot de aanduiding van de gewenste frituurtijd.
N.B.: De kookwekker waarschuwt u wanneer de ingestelde tijd is verstreken, maar schakelt niet de frituurpan uit!
- Door het venster kunt u het frituren gadeslaan zonder het deksel te openen. In het begin kan er wat wasem op het venster komen. Deze verdwijnt later vanzelf.
- Om een gelijkmatige bruining te bevorderen, kunt u tijdens het frituren het mandje wat schudden. Houd daarbij het deksel gesloten (fig. 8).
- Wanneer het voedsel voldoende gebakken is, zet u het frituurmandje in de hoogste stand door de handgreep horizontaal te zetten ("Klik"). Laat het gefrituurde voedsel even uitlekken. Druk dan op de ontgrendelknop om het deksel te openen (fig. 2).
- Schud zonnig het mandje boven de frituurpan om overtollig vet te verwijderen.
- Til het mandje uit de pan en doe de gefrituurde etenswaren in een vergiet met vet-absorberend papier (bijv. keukenpapier).
- Door de fijnmazige structuur van het frituurmandje worden losgeraakte deeltjes van het voedsel uit de olie/het vet gezeefd wanneer u het mandje uit de pan tilt. Gooi deze deeltjes meteen weg: als ze in de pan verkolen, wordt de kwaliteit van het frituurvet/de olie minder.
- Haal na gebruik de stekker uit het stopcontact.
- Als het bakje voor het condenswater vol raakt: Druk op de ontgrendelknop om het deksel van de frituurpan te openen (fig. 2); zet het deksel rechtop en trek het vervolgens uit het scharnier (fig. 9); en giet het condenswater uit het bakje (fig.10).
- Zet de pan met het deksel erop weg. Zo houdt u stof e.d. buiten de pan.
- Het snoer kunt u in de snoerruimte terugduwen.

Temperatuur	soort voedsel	max. hoeveelheid per keer		baktijd* (minuten)
		niet bevroren	diepvries	
160 °C	Kip (filet, drumsticks)	300 g	200 g	20-25
170 °C	Kaaskroketter Garnalenbeignets	4 st. 4-5 st.	3 st.	5 2-4
180 °C	Appelbeignets Kaasbeignets Vissticks/-filet Gehaktballetjes Mosselen	4-5 st. 4-5 st. 5 st. 10-13 st. 10-12 st.	3 st.	4-5 2-4 5 4-5 2½-3
190 °C	Berliner bollen Doughnuts (Donuts) Patates frites **) Cordon bleu Viskroketter Vleeskroketter Aardappelkroketter Aardappelschijfjes Wiener Schnitzel Bitterballen	3-4 st. 3 st. 350 g 2-3 st. 4 st. 4 st. 4 st. 350 g 2 st. 10 st.	2 st. 3 st. 250 g 3 st. 3 st. 3 st. 250 g 10 st.	2-4 6-8 5 3-4 5 5 5 5 2½-3 5

*) Voor bevroren voedsel kunnen de bereidingstijden wat langer zijn.

**) Zie voor het frituren van verse frites het hoofdstuk "Patates Frites".

Tabel

In de tabel wordt aangegeven welke soorten voedsel u zoal met de frituurpan kunt bereiden en welke temperatuur en bereidingstijd moet worden gekozen. De tabel geeft ook de maximale hoeveelheid per bakbeurt aan, waarbij optimaal resultaat wordt bereikt.

Grotere hoeveelheden (bijv. 500 g diepvries patates frites) zijn natuurlijk ook mogelijk. Echter, het resultaat zal dan minder krokant worden en de benodigde frituurtijd zal langer zijn.

Patates Frites

Op deze manier maakt u de lekkerste, mooiste en meest krokante patates frites:

- Gebruik bij voorkeur niet al te nieuwe aardappelen.
 - Snijd de aardappelen in dikke plakken. Snijd deze in repen. Spoel deze in een vergiet af onder de koude kraan: dan zullen ze tijdens het bakken niet tegen elkaar plakken. Droog de reepjes vervolgens af (bij voorbeeld met keukenpapier).
 - Bak de frites in **twee bakbeurten**:
- de eerste op 160° C (8-10 minuten)

- de tweede op 190° C (2-4 minuten).

Schud het mandje met kleine tussenpozen gedurende de tweede bakbeurt; dan worden de frites gelijkmatig bruin.

Diepvriesvoedsel

Etenswaren uit de diepvriezer of uit het vriesvak van uw koelkast (-16 à -18° C) koelen de olie/het vet sterk af als u ze erin dompelt, zodat te veel olie/vet wordt geabsorbeerd.

- Doe daarom niet te grote porties in de pan.
- Laat de frituurpan, voordat u het diepvriesvoedsel erin doet, 15 à 20 minuten op temperatuur komen. **Stel daartoe de temperatuurknop in op de stand die op de verpakking van het diepvriesvoedsel wordt aangegeven.** Als deze aanwijzingen ontbreken, kies dan de hoogste temperatuur (190° C). Deze aanwijzingen gelden ook voor sommige gerechten die voorzichtig bereid moeten worden, zoals vleeskroketter. Diepvriesfrites zijn vóórgebakken en kunnen dus in één beurt gebakken worden: max. 250 g op 190° C gedurende ca. 5 minuten.

- Voedsel uit de diepvries bevat vaak veel ijs. Laat het bij voorkeur vóór het frituren een half uur ontdooien. Schud boven de gootsteen zoveel mogelijk ijs en water van de etenswaren af. Laat het voedsel behoedzaam in de olie/het vet zakken: bevroren voedsel kan het hete vet/olie hevig doen opborrelen.

Tips

- Deskundigen op het gebied van gezond voedsel adviseren vaak plantaardig vet of olie die onverzadigde vetzuren bevat. Houd er echter rekening mee dat deze soorten olie en vet vaker moeten worden ververst om hun goede eigenschappen te behouden. Aan de binnenzijde van de frituurpan kan zich boven het niveau van het vet / de olie een taaie, harde rand afzetten. Het is aan te raden de binnenzijde van de frituurpan na elk gebruik met sop schoon te maken. (Zie "Schoonmaken".)
- Ververs de olie of het vet regelmatig. Voeg geen verse olie/vet toe aan gebruikte.
- In het algemeen bederft olie en vet snel wanneer u eiwitrijk voedsel (zoals vlees en vis) frituurt. Wanneer u de olie/het vet meestal gebruikt om aardappels te frituren en het telkens na gebruik filtreert, is de olie/het vet zo'n tien tot twaalf keer te gebruiken. Gebruik het echter niet langer dan ca. 6 maanden. Gooi het daarna op verantwoorde wijze weg. Olie (afgekoeld) doet u in een fles en vet (gestold) in een krant. Gestold vet verwijdert u heel eenvoudig uit de pan door het ca. 1 minuut te verwarmen (op 160° C). Het is dan langs de randen gesmolten en los van de pan geraakt.
- Vervang in elk geval alle vet of olie wanneer de olie of het vet gaat bruisen bij het verhitten, sterk van reuk en/of smaak, donker van kleur en/of stroperig is geworden.
- Zorg ervoor dat de etenswaren zoveel mogelijk droog zijn, wanneer u ze in de hete olie/vet dompelt.
- Als u de frituurpan niet regelmatig gebruikt, kunt u de olie het best in goed afgesloten (glazen) flessen bewaren; bij voorkeur in de koelkast. Bewaar vet liefst in een afgesloten (glazen of stenen) pot of kom. Bewaar de olie/het vet dus bij voorkeur niet langdurig in de frituurpan.

Bijsmaakjes wegwerken

Bepaalde etenswaren (m.n. vis) kunnen tijdens het bakken wat vocht verliezen en daardoor de geur en smaak van later te bereiden gerechten aantasten.

Om dit te verhelpen (of te voorkomen) kunt u de olie/het vet verwarmen tot 160° C . Dan doet u twee dunne sneetjes brood (5 à 6 mm) in de frituurpan.

Wacht totdat er geen luchtbelletjes meer te zien zijn en het brood bruin gebakken is. Haal dan het brood uit de pan en gooi het weg.

Het vet/de olie is dan weer neutraal van smaak.

Olie/vet-conditie indicator

Uw friteuse is voorzien van een olie/vet-conditie indicator, die u eraan herinnert wanneer de olie of het vet ververst moet worden.

Tervilj de friteuse olie of vet verhit, wordt het groene gedeelte van de indicator geleidelijk verdrongen door het rode gedeelte. Dit komt overeen met de veroudering van olie of vet.

- Gooi de oude olie/vet weg wanneer de indicator geheel rood is geworden (fig. 11). U kunt het frituren natuurlijk veilig afmaken.
- Vergeet niet de indicator terug te zetten op groen, nadat u de olie/vet heeft ververst. U doet dit met behulp van het reset-knopje (fig. 12).

N.B.:

- Het frituren van eiwitrijk voedsel (bijv. vis, vlees), het frituren op te hoge temperaturen en verkoelde deeltjes kunnen het noodzakelijk maken de olie of het vet eerder te vervangen.
- De indicator is ingeregeld op olie/vet van standaardkwaliteit. Deskundigen op het gebied van gezond voedsel adviseren vaak plantaardig vet of olie die onverzadigde vetzuren bevat. Houdt u er rekening mee dat deze soorten olie en vet vaker moeten worden ververst om hun goede eigenschappen te behouden. Ook moet de frituurpan vaker worden schoongemaakt.

Schoonmaken

- Haal de stekker uit het stopcontact.
Laat de frituurpan voldoende afkoelen.
- Giet de olie of het vloeibare vet uit de frituurpan.
- Neem de buitenzijde van de frituurpan af met een vochtige doek (eventueel met afwasmiddel) en/of keukenpapier.
- Verwijder vet- of olieresten uit de frituurpan met behulp van een spatel en keukenpapier.
- Giet heet water met afwasmiddel in de frituurpan. Zorg ervoor dat het niveau van dit sop wat hoger is dan dat van de gebruikte olie/vet.
- Laat het sop 30 tot 45 minuten inwerken.
- Was de binnenzijde af met de afwaskwast.
- Giet de frituurpan leeg en spoel deze na. (Niet onder de kraan: gebruik hiervoor een beker o.i.d.!)
Zorg ervoor dat er geen water in het elektrische gedeelte van het apparaat komt.
- Was de frituurmand af in heet sop en spoel goed na. Doe de frituurmand niet in een afwasmachine.
- Droog na het schoonmaken van de frituurpan altijd de binnen- en buitenzijde zorgvuldig af.

Permanent filter

Uw frituurpan is uitgerust met een permanent dampfilter.

Wij raden u aan dit metalen filter regelmatig te reinigen.

- Druk op de ontgrendelknop om het deksel van de frituurpan te openen (fig. 2).
- Zet het deksel rechtop en trek het vervolgens uit het scharnier (fig. 9).
- Leg het hele deksel in heet sop en laat het daar 5 tot 10 minuten in liggen (fig. 13).
- Spoel het deksel na met heet water.
Schud het overgebleven water uit het deksel en laat het drogen.

Importante

- Leggete queste istruzioni e osservate le figure (pag. 3 e 50) con attenzione prima di usare l'apparecchio.
- Prima di collegare l'apparecchio verificate che la tensione indicata nella parte inferiore della friggitrice corrisponda a quella della rete locale.
- Non immergete mai l'apparecchio in acqua.
- Pulite le parti della friggitrice con un panno umido prima dell'uso. Assicuratevi che la friggitrice sia completamente asciutta prima di riempirla con olio o grasso.
- Accendete la friggitrice solo dopo averla riempita d'olio o di grasso.
Per sciogliere il grasso: selezionate all'inizio la temperatura di 160°C e alzate la soltanto quando il grasso sarà completamente sciolto.
I pezzi di grasso devono sciogliersi sul fondo della friggitrice e non nel cestello.
- Usate soltanto olii e grassi adatti alla friggitrice. Leggete a tale scopo le indicazioni riportate sulla confezione.
- Riempite la friggitrice con olio o grasso fino a raggiungere il livello compreso fra le indicazioni MIN e MAX.
Prima di iniziare a friggere, controllate sempre la quantità d'olio contenuta nella friggitrice.
- Non superate le quantità massime indicate nella tabella. Non riempite mai il cestello oltre i 3/4. Nel caso il cestello fosse troppo pieno, l'olio bollente potrebbe schizzare fuori dalla friggitrice.
- Durante la cottura il vapore bollente fuoriesce dal filtro posto sul coperchio. Non avvicinatevi al vapore con le mani o con il viso.
- Tenete la friggitrice fuori dalla portata dei bambini, soprattutto quando è in funzione.
- Evitate che il cavo di alimentazione penzoli sopra il lavandino o il tavolo.
- Dopo l'uso togliete sempre la spina dalla presa di corrente, in modo da permettere il raffreddamento dell'olio o del grasso. Non toccate la friggitrice quando è ancora calda.
- La superficie interna della friggitrice è ricoperta da un rivestimento antiaderente. Per evitare di danneggiare il rivestimento, evitare urti accidentali con oggetti metallici. Inserire ed estrarre il cestello della friggitrice con attenzione. Non impiegare detersivi sgrassanti e prodotti quali (fluidi) abrasivi, smacchiatori, spugnette abrasive, pagliette di ferro o acciaio.
- Conservate queste istruzioni per ulteriore consultazione.

Descrizione (fig. 1)

- A Maniglia coperchio
- B Pulsante di sgancio del coperchio
- C Filtro permanente
- D Finestra
- E Cardini
- F Bacinella per acqua di condensa
- G Spia
- H Manopola termostato
- I Maniglia del cestello
- J Pulsante di sgancio del cestello
- K Cestello di friggitura
- L Cavo di alimentazione (può essere riposto all'interno dell'apparecchio)
- M Scarico
- N Indicazioni sulle temperature ottimali di friggitura
- O Manopola timer
- P Segnale acustico timer

Q Indicatore di livello olio/grasso

R Pulsante di ripristino (indicatore di livello olio/grasso)

Prima di usare la friggitrice per la prima volta

- Lavate il cestello in acqua calda saponata
- Versate un po' di acqua calda saponata nella friggitrice e lavate accuratamente l'interno.
- Risciacquate l'interno usando acqua pulita (potrete utilizzare una tazza). Asciugate accuratamente.

La friggitura

- Premete il pulsante di sgancio (B). Il coperchio si aprirà automaticamente (fig. 2).
- Quando utilizzate del grasso nuovo (al posto dell'olio), mettete il cestello di friggitura nella posizione più alta posizionando orizzontalmente la maniglia ("Click!") (fig. 3). Togliete quindi il cestello dalla friggitrice (fig. 4). Potrete rimettere a posto il cestello non appena il grasso si sarà sciolto completamente.
- Se utilizzate l'olio, potrete lasciare il cestello all'interno della friggitrice. (La stessa cosa è possibile quando scaldate del grasso già utilizzato in precedenza e depositatosi sul fondo della friggitrice.)
- Riempite la friggitrice (asciutta) con olio o grasso fino a raggiungere il livello MAX (2,5 litri di olio o 2.250 grammi di grasso) (fig. 5).
Nota: non mescolate mai due tipi diversi di olio e/o grasso.
- Estraete il cavo di alimentazione della lunghezza necessaria. Il cavo eccedente può essere riavvolto all'interno dell'apparecchio.
- Potete mettere qualche goccia d'olio sul lato inferiore della finestra per evitare che vi si depositi la condensa durante la friggitura.
- Chiudete il coperchio in modo che l'olio o il grasso possano scaldarsi più rapidamente. (Il coperchio si bloccherà automaticamente.)
- Inserite la spina nella presa di corrente.
- Se usate il grasso, selezionate la temperatura di 160° C e aspettate che il grasso sia sciolto.
- Regolate il termostato sulla temperatura più adatta al cibo che volete friggere. Fate riferimento all'apposita tabella o alle indicazioni riportate sull'apparecchio.
- Se usate l'olio, potete impostare subito la temperatura desiderata.
- L'olio o il grasso avranno raggiunto l'esatta temperatura quando la spia si spegnerà per una/due volte (dopo circa 10-15 minuti).
- Premete il pulsante di sgancio (1) per aprire (2) il coperchio (fig. 2).
- Mettete la maniglia in posizione orizzontale ("Click!") (fig. 3) e estraete il cestello dalla friggitrice (fig. 4).
- Riempite il cestello con il cibo da friggere.
- Rimettete il cestello nella friggitrice (fig. 6) e chiudete il coperchio. Se il coperchio non si chiude subito bene, esercitate una leggera pressione.
- Sbloccate (1) la maniglia del cestello e calatela verso il basso (2) (fig. 7).
- Potete regolare il timer sul tempo di friggitura consigliato. Ruotate la manopola in senso orario fino a "15" e poi ruotatela in senso

antiorario regolandola sul tempo di friggitura che desiderate.

Attenzione: il timer vi avvertirà quando il tempo regolato è scaduto, ma non spegnerà la friggitrice!

- Grazie alla finestra, potrete osservare la friggitura senza aprire il coperchio. All'inizio potrebbe accumularsi della condensa sulla finestra che sparirà comunque da sola.
- Per una frittura più uniforme, vi consigliamo di scuotere il cestello un paio di volte durante la cottura, senza aprire il coperchio (fig. 8).
- Dopo la friggitura: sollevate il cestello e mettete la maniglia in posizione orizzontale ("Click!"). Lasciate sgocciolare la frittura. Premete poi il pulsante di sgancio per aprire il coperchio (fig. 2).
- Se necessario, potete scuotere il cestello per eliminare l'olio/il grasso in eccesso.
- Togliete il cestello dalla friggitrice e mettete il cibo in un recipiente rivestito di carta assorbente (es. carta da cucina).
- Il cestello di friggitura, grazie alle sue particolari maglie fitte, asporta gli eventuali residui di cibo dall'olio (grasso) quando viene estratto dalla friggitrice. Scartateli: se venissero lasciati nell'olio si brucerebbero compromettendone la qualità.
- Dopo l'uso togliete sempre la spina dalla presa di corrente.
- Se il gocciolatoio si riempie:
Premere il pulsante di rilascio per aprire il coperchio della friggitrice (fig. 2);
collocare il coperchio in posizione verticale ed estrarlo dalle cerniere (fig. 9);
scaricare l'acqua dal gocciolatoio (fig. 10).
- Riponete la friggitrice con il coperchio, per evitare che vi possano entrare polvere o altro.
- Il cavo di alimentazione può essere riposto all'interno dell'apparecchio.

Temperatura	Tipo di cibo	Quantità massima scongelato		Tempo di cottura* (minuti)
		scongelato	surgelato *)	
160 °C	Pollo	300 g	200 g	20-25
170 °C	Crocchette di formaggio Frittelle di gamberetti	4 pezzi 4-5 pezzi	3 pezzi	5 2-4
180 °C	Frittelle di mele Frittelle di formaggio Bastoncini di pesce Polpette Cozze	4-5 pezzi 4-5 pezzi 5 pezzi 10-13 pezzi 10-12 pezzi	3 pezzi	4-5 2-4 5 4-5 2½-3
190 °C	Frittelle Ciambelline fritte Patatine fritte**) Cordon bleu Crocchette di pesce Crocchette di carne Crocchette di patate Patate a fette Cotoletta alla milanese	3-4 pezzi 3 pezzi 350 g 2-3 pezzi 4 pezzi 4 pezzi 4 pezzi 350 g 2 pezzi	2 pezzi 250 g 3 pezzi 3 pezzi 3 pezzi 250 g	2-4 6-8 5 3-4 5 5 5 5 2½-3

*) Nel caso di alimenti surgelati, il tempo di cottura potrà essere più lungo.

**) Per le patatine fritte vedere anche il capitolo "Patine fritte".

Tabella

Nella tabella sotto riportata sono indicati i tipi di cibo che possono essere preparati nella friggitrice, la temperatura e il tempo di cottura consigliati.

La tabella indica inoltre quale sia la quantità massima di ogni preparato che consente di ottenere risultati ottimali.

Naturalmente è possibile utilizzare quantità superiori (ad esempio 500 g. di patatine surgelate). Tuttavia il tempo necessario alla frittura sarà superiore ed i risultati della stessa saranno meno croccanti.

Patatine fritte

Per ottenere patatine dorate e croccanti:

- non usate patate novelle
 - tagliate le patate a fette spesse e poi a bastoncini. Metteteli in un colino e risciacquateli bene sotto acqua corrente fredda per evitare che i bastoncini si attacchino tra loro durante la frittura. Asciugateli con cura con carta da cucina.
 - le patatine fritte vanno preparate in **due tempi**:
 - **prima frigetele a 160° C per 8-10 minuti**
 - **poi frigetele a 190° C per 2-4 minuti.**
- Durante la seconda cottura, scuotete il cestello

di tanto in tanto in modo che le patatine assumano un colore dorato uniforme.

Cibi surgelati

Il cibo tolto dal freezer o dal comparto freezer del vostro frigorifero (-16/18°C) e immerso nella friggitrice abbasserà notevolmente la temperatura dell'olio.

- Per questa ragione, non immergete porzioni troppo grosse nella friggitrice.
- Lasciate che la friggitrice raggiunga di nuovo la giusta temperatura prima di preparare un'ulteriore porzione di cibo surgelato (15-20 minuti).

Regolate la manopola del termostato alla temperatura indicata sulla confezione del cibo surgelato. Se questa indicazione non venisse riportata, regolate la manopola alla temperatura più alta (190° C).

Queste istruzioni sono valide anche per alcuni tipi di cibo che richiedono una preparazione accurata, come le crocchette di carne.

Le patatine surgelate sono pre-fritte e si possono friggere in una volta sola: max. 250 g a 190° C per circa 5 minuti.

- I surgelati spesso contengono molto ghiaccio: togliete tutto il ghiaccio che potete scuotendo il

cibo. Immergete quindi il cibo nell'olio/grasso con cautela, poiché i cibi surgelati a contatto con l'olio/grasso bollente possono ribollire e schizzare olio.

Consigli

- Usate esclusivamente olii o grassi idonei alla friggitura, per esempio grasso vegetale oppure olii contenenti acidi polinsaturi.
- Sostituite regolarmente l'olio/grasso. Non aggiungete mai olio o grasso fresco a quello usato.
- In generale, l'olio/grasso si deteriora velocemente quando si friggono alimenti ricchi di proteine come carne e pesce. Se usate l'olio/grasso soprattutto per friggere le patate e lo filtrate dopo ogni uso, lo stesso olio/grasso può essere usato 10-12 volte. In ogni caso non usatelo per un periodo superiore ai 6 mesi, poi gettatelo.
Una volta raffreddato, l'olio può essere messo in una bottiglia, mentre il grasso indurito può essere conservato avvolto in un foglio di carta. Il grasso solidificato si toglie con facilità scaldando la friggitrice per circa 1 minuto a 160° C: il grasso colerà e non si attaccherà alle pareti.
- In ogni caso sostituite completamente l'olio/grasso quando scaldandolo vedete che comincia a sobbollire, quando ha un odore e non gusto acidulo, quando diventa di colore scuro e/o quando è sciropposo.
- Prima di introdurre il cibo nell'olio/grasso, assicuratevi che sia asciutto.
- Pulite la friggitrice con carta da cucina, senza dimenticare le pareti interne.
- Se non usate di frequente la friggitrice, potete conservare l'olio in bottiglie di vetro ben chiuse, preferibilmente in frigorifero; riponetelo il grasso in una pentola o bacinella di vetro o di coccio ben chiusa. Vi consigliamo di non conservare l'olio/grasso nella friggitrice per molto tempo.

Se l'olio/grasso ha un cattivo odore...

Alcuni tipi di cibo (soprattutto il pesce) possono perdere parte del loro liquido durante la friggitura e determinare un'alterazione del sapore dei cibi successivamente fritti nello stesso olio. Per eliminare (o meglio ancora per prevenire) questo cattivo odore, riscaldate l'olio/grasso a 160° C e friggete quindi due sottili fette di pane (5-6 mm di spessore). Aspettate che il pane diventi di colore marrone da entrambi i lati e che siano scomparse le bolle d'aria. Raccogliete il pane e buttatelo via. A questo punto l'olio/grasso avrà di nuovo un sapore neutro.

Indicatore di livello olio/grasso

La vostra friggitrice è provvista di un indicatore di livello olio/grasso che vi avviserà quando verrà il momento di cambiare l'olio o il grasso.

Mentre l'apparecchio scalda l'olio o il grasso, la sezione verde dell'indicatore verrà sostituita gradualmente dalla sezione di colore rosso, per indicare che l'olio o il grasso stanno "invecchiando".

- Gettate via l'olio o il grasso non appena l'indicatore risulta completamente rosso (fig. 11). Ovviamente potrete finire di friggere quello che state preparando senza alcun problema.
- Non dimenticare di ripristinare sul verde il livello dell'indicatore dopo aver sostituito l'olio o il grasso. A tale scopo, premete l'apposito pulsante (fig. 12).

Nota:

- Se friggete spesso cibi ricchi di proteine (carne o pesce), se usate temperature alte e nel caso di pezzetti carbonizzati all'interno del cestello, potrebbe essere necessario sostituire più spesso l'olio/grasso.
- L'indicatore è tarato in modo tale da assicurare un olio/grasso di qualità media. Spesso, comunque, i nutrizionisti consigliano l'uso di grasso vegetale o olii contenenti acidi polinsaturi. Ricordate che questi tipi di prodotti devono essere sostituiti più frequentemente rispetto agli altri tipi di olio/grasso per mantenere le proprie caratteristiche. In questo caso, la friggitrice andrà anche pulita più spesso.

Pulizia

- Togliete la spina dalla presa di alimentazione. Lasciare raffreddare a sufficienza la friggitrice.
- Scaricare l'olio o il grasso liquido.
- **Esterno:** pulite le pareti esterne con un panno umido (aggiungendo eventualmente un po' di detersivo) e/o della carta da cucina.
- **Interno:** Rimuovere grasso/olio residuo dall'interno della friggitrice utilizzando una spatola e carta da cucina.
- Versate acqua calda con detersivo liquido per i piatti all'interno della friggitrice. Fate in modo che il livello della saponata sia alquanto più alto di quello dell'olio o grasso usato.
- Lasciare agire l'acqua saponata per 30 - 45 minuti.
- Pulire l'interno della friggitrice con una spazzola.
- Svuotate la friggitrice e risciacquatela con acqua pulita. (Non mettetela sotto il rubinetto, usate piuttosto una tazza.)
Assicuratevi che l'acqua non entri nell'apparecchio.
- Lavate il cestello in acqua calda saponata e risciacquate con cura. Non lavateli in lavastoviglie.
- Al termine della pulizia, asciugate l'interno e l'esterno della friggitrice con la massima cura.

Filtro permanente

La vostra friggitrice è dotata di un filtro permanente per il vapore.

Vi consigliamo di pulire il filtro metallico ad intervalli regolari.

- Premete il pulsante di sgancio (B) (fig. 2).
- Mettete il coperchio in posizione verticale e toglietelo dai cardini (fig. 9).
- Immergete il coperchio in acqua saponata e lasciatecelo per 5-10 minuti (fig. 13).
- Risciacquate il coperchio e lasciatelo asciugare.

Importante

- Antes de usar el aparato, lean estas instrucciones conjuntamente con las ilustraciones.
- Antes de enchufar el aparato, comprueben que la tensión indicada en la base del mismo, se corresponde con la existente en su hogar.
- No sumerjan nunca la freidora en agua.
- Antes de usar el aparato, limpien las diferentes partes con un paño húmedo. Asegúrense de que está completamente seca antes de llenar la freidora con aceite o grasa.
- No pongan nunca en marcha la freidora sin haberla llenado de aceite o de grasa. Cuando fundan grasa:
 - Seleccionen primero la posición de 160° C, y no una temperatura mayor, hasta que la grasa no esté completamente fundida.
 - Fundan los trozos de grasa colocándolos en el fondo del depósito y no en el cestillo de freír.
- Usen solo aceites y grasas recomendados para freidoras. Esa información pueden obtenerla del embalaje de esos aceites o grasas.
- Llenen siempre con aceite o grasa hasta un nivel entre las indicaciones de medición MIN y MAX. Antes de iniciar la fritura, comprueben siempre si todavía hay suficiente aceite o grasa en la freidora.
- No excedan las cantidades máximas indicadas en la tabla. No llenen nunca el cestillo por encima de las $\frac{3}{4}$ partes de su capacidad. Si el cestillo está sobrellenado, el aceite o la grasa caliente pueden derramarse por encima del borde de la freidora. Durante el proceso de fritura, sale vapor caliente a través del filtro de la tapa. Mantengan sus manos y el rostro lejos de ese vapor.
- Mantengan en todo momento la freidora fuera del alcance de los niños, especialmente durante su uso.
- No permitan que el cable de red cuelgue de la mesa o del fregadero.
- Mientras que el aceite o grasa se estén enfriando después del uso, quiten la clavija de la base de enchufe. No muevan la freidora hasta que esté suficientemente fría.
- El interior de la freidora tiene una capa antiadherente. Para evitar dañar esta capa no la toque con objetos de metal. Coloque y remueva la cesta de freír cuidadosamente. No refriegue al limpiar ni haga uso de productos (líquidos) abrasivos, desengrasantes, esponjas, estropajos metálicos o de acero.
- Conserven este modo de empleo para futuras consultas.

Descripción general (fig. 1)

- A Asa de la tapa.
- B Mando de liberación de la tapa
- C Filtro permanente
- D Ventana
- E Bisagras
- F Cubeta para las gotas de agua
- G Lámpara piloto.
- H Mando de la temperatura.
- I Asa del cestillo de freír.
- J Mando de liberación del cestillo de freír
- K Cestillo de freír.
- L Cable de red (puede ser almacenado dentro del aparato)
- M Vacificador
- N Indicaciones sobre las temperaturas óptimas de fritura.

- O Botón del temporizador.
- P Avisador del temporizador.
- Q Indicador de la situación del aceite o grasa.
- R Botón de rearme (Indicador de la situación del aceite o grasa).

Antes del primer uso

- Laven el cestillo de freír en agua jabonosa caliente.
- Viertan un poco de agua jabonosa caliente en la freidora y laven concienzudamente la parte interior.
- Aclaren bien el interior de la freidora con agua limpia (usando, por ejemplo, una taza). Séquenla bien.

Cómo usar la freidora

- Presionen el mando de liberación (B). La tapa se abrirá automáticamente (fig. 2).
- Cuando deseen usar nueva grasa para freír (en lugar de aceite), pongan primero el cestillo de freír en la posición más alta colocando horizontalmente el asa ("Click") (fig. 3). Quiten entonces el cestillo del depósito (fig. 4). Pueden colocar de nuevo el cestillo en el depósito tan pronto como toda la grasa se haya fundido.
- Cuando deseen usar aceite para freír, pueden dejar el cestillo de freír dentro de la freidora. (Esto es también posible al calentar grasa usada previamente y que esté fundida en el depósito y alrededor del cestillo.)
- Llenen el (seco) depósito de la freidora con aceite o grasa hasta la indicación MAX (2'5 litros de aceite o 2250 gramos de grasa) (fig. 5).
Nota: No mezclen nunca dos tipos diferentes de aceite y / o grasa.
- Desenrollen la necesaria longitud de cable de red. Cualquier sobrante del cable de red puede ser deslizado de nuevo en el interior del aparato.
- Pueden esparcir un poco de aceite sobre la parte inferior de la ventana. Ello prevendrá que el agua condensada se fije allí durante la fritura.
- Cierren la tapa, con lo cual el aceite o grasa se calentará más rápidamente. (La tapa quedará fijada automáticamente.)
- Inserten la clavija en la base de enchufe.
- Si usan grasa, fijen primero el mando de la temperatura a 160° C. Esperen hasta que se haya fundido toda la grasa.
- Lleven el mando de la temperatura a la posición más apropiada para el tipo de alimento a freír. Consulten la tabla o las indicaciones del aparato.
- Cuando usen aceite, pueden fijar el mando de la temperatura directamente en la posición indicada.
- Después que la lámpara piloto se haya apagado un par de veces (después de 10 - 15 minutos) el aceite o grasa estará a la correcta temperatura.
- Presionen el mando de liberación de la tapa (1) para abrir (2) la tapa (fig. 2).
- Coloquen el asa en posición horizontal ("Click") (fig. 3) y saquen el cestillo de freír del depósito (fig. 4).
- Pongan el alimento en el cestillo.
- Pongan de nuevo el cestillo de freír en el depósito (fig. 6) y cierren la tapa. Si la tapa no queda inmediatamente bien cerrada, presiónenla firmemente.
- Desbloqueen (1) el asa del cestillo de freír y muévanla hacia abajo (2) (fig. 7).
- Pueden ajustar el reloj al tiempo adecuado para freír. Tengan en cuenta que el reloj les avisará que ya ha transcurrido el tiempo señalado, ¡pero no desconectará la freidora!
- A través de la ventana pueden ver el proceso de fritura sin abrir la tapa. Al principio puede darse alguna condensación que desaparecerá, por sí misma, un poco más tarde
- Para una más uniforme fritura es aconsejable levantar y sacudir el cestillo un par de veces durante la misma. Mantengan la tapa cerrada mientras hagan eso (fig. 8).
- Después de la fritura coloquen el cestillo de freír en su más alta posición mediante la colocación del asa en posición horizontal ("Click"). Permitan el escurrido de los alimentos fritos. Aprieten entonces el mando de liberación para abrir la tapa (fig. 2).
- Si es necesario pueden sacudir el cestillo sobre la freidora para eliminar el exceso de grasa o aceite.
- Quiten el cestillo de la freidora y vacíen los alimentos fritos en un colador con papel absorbedor de grasa (por ejemplo, un papel de celulosa o de rollo de cocina).
- Dada la fina estructura de la cesta de freír, puede suceder que algunas partículas desprendidas de los alimentos se extraigan del aceite al sacarla del cazo. En ese caso, elimínenlas, ya que de lo contrario tendrían un efecto adverso sobre la calidad del aceite (mantequilla) si se requemasen en él.
- Quiten la clavija de la base de enchufe después del uso.
- Cuando el recipiente para el agua que gotea se llena:
Presione el botón que abre la tapadera (fig. 2), ponga la tapadera en posición vertical y sáquela del resorte (fig. 9), tire el agua del recipiente (fig. 10).
- Guarden la freidora con la tapa puesta. Ello mantendrá el polvo lejos del depósito.
- Pueden empujar de nuevo el cable de red en el habitáculo para almacenar el cable de red dentro de la freidora.

Temperatura	Tipo de alimento	Cantidad máxima por preparación		Tiempo de fritura* (minutos)
		Descongelada	Congelada *)	
160 °C	Pollo	300 g	200 g	20-25
170 °C	Croquetas de queso Camarones fritos	4 piezas 4-5 piezas	3 piezas	5 2-4
180 °C	Fritos de manzana Fritos de queso Varitas/dedos de pescado Albóndigas de carne Mejillones	4-5 piezas 4-5 piezas 5 piezas 10-13 piezas 10-12 piezas	3 piezas	4-5 2-4 5 4-5 2½-3
190 °C	Fritos de albóndigas Buñuelos Patatas fritas a la francesa**) Cordón bleu Croquetas de pescado Croquetas de carne Croquetas de patata Patatas cortadas Schnitzel vienés	3-4 piezas 3 piezas 350 g 2-3 piezas 4 piezas 4 piezas 4 piezas 350 g 2 piezas	2 piezas 250 g 3-4 3 piezas 3 piezas 3 piezas 250 g 2½-3	2-4 6-8 5 5 5 5 5

*) Para alimentos congelados, los tiempos de preparación pueden ser más largos que los indicados.

**) Para las nuevas patatas fritas a la francesa, consulten la sección "Patatas fritas a la francesa"

Tabla

En la tabla siguiente se indican qué tipos de alimentos pueden ser preparados con la freidora y qué temperaturas y tiempos de preparación deberán ser elegidos.

La tabla indica también la cantidad máxima para una preparación con los resultados más óptimos. También se pueden usar cantidades grandes (por ejemplo 500 gr. de patatas congeladas para freír). Sin embargo serán menos crujientes que cuando se usa menos cantidad y tendrán que estar más tiempo.

Patatas fritas a la francesa

Para obtener unas más bonitas y crujientes patatas fritas a la francesa:

- No usen patatas muy nuevas.
- Corten las patatas primero en rebanadas gruesas y luego en palitos. Pongan los palitos en una escurridora y lávenlos con agua fría del grifo. Con ello evitarán que se peguen entre sí al freirse. Sequen los palitos usando, por ejemplo, papel de cocina.
- Las patatas fritas a la francesa deben prepararse en **dos etapas**:

- Primera: a 160° C durante 8 - 10 minutos.

- Segunda: a 190° C durante 2 - 4 minutos.

Durante la segunda etapa, agiten de vez en cuando el cestillo para freír. Con ello lograrán dar una fritura uniforme a todas las patatas fritas a la francesa.

Alimentos ultracongelados

Los alimentos sacados de su congelador o del compartimento congelador de su nevera (entre 16 y 18° C bajo cero), enfriarán de modo notable el aceite o la grasa al introducirlos en ellos, de modo que demasiado aceite o grasa pueden ser absorbidos.

- Por ello, no deben echar porciones demasiado grandes en la freidora.
- Dejen que la freidora recupere la temperatura óptima para freír, antes de volver a echar otra porción de alimento ultracongelado (15 - 20 minutos).

Ajusten el mando de la temperatura de acuerdo con las indicaciones de las temperaturas de fritura dadas en el embalaje del alimento ultracongelado.

Si esas indicaciones no vienen dadas, pongan el mando en la temperatura más alta (190° C).

Estas instrucciones son también válidas para ciertos tipos de alimentos que exigen una cuidadosa preparación, tales como las croquetas de carne. Las patatas fritas a la francesa congeladas están prefitas y pueden terminar de freirse en una etapa: Máx. 250 g a 190° C durante unos 5 minutos.

- A menudo los alimentos ultracongelados contienen demasiado hielo. Sacudan, tanto como sea posible, el hielo en el fregadero. Después echen los alimentos lentamente en el aceite o grasa, ya que los artículos ultracongelados pueden hacer que el aceite o grasa caliente formen burbujas y salpiquen excesivamente.

Consejos

- Usen aceites y / o grasas recomendados para freír en freidora, por ejemplo, aceite o grasa vegetal que contengan ácidos poliinsaturados.
- Sustituyan regularmente el aceite o grasa. No añadan nunca aceite o grasa frescos a los ya usados.
- En general, el aceite o grasa se oscurecerán con mayor rapidez cuando frian alimentos ricos en proteínas (como carne o pescado). Usándolos principalmente para freír patatas y filtrándolos después de cada uso, el aceite o grasa podrán utilizarse de 10 a 12 veces. De todos modos, no los usen durante más de 6 meses. Transcurrido ese tiempo deberán tirarse. El aceite (después de enfriado) puede vaciarse en una botella y la grasa solidificada puede envolverse en un papel viejo. La grasa solidificada puede eliminarse fácilmente calentándola durante un minuto aproximadamente (a 160° C). Se fundirá, siguiendo los bordes, y ya no se pegará a las paredes.
- Reemplacen siempre el aceite o grasa tan pronto como empiecen a hervir al calentarlos, si huelen o saben a rancio, si su color se ha oscurecido y / o cuando se vuelvan como un jarabe.
- Asegúrense de que el alimento que se va a freír esté seco antes de echarlo en el aceite o grasa caliente.
- Limpíen la freidora con un papel de celulosa , sin olvidar las paredes internas.
- Si no usan la freidora muy a menudo, lo mejor es que guarden el aceite en botellas de vidrio bien cerradas, preferiblemente en la nevera. Conserven la grasa en un tarro o cuenco (de vidrio o loza) bien cerrado. No es conveniente dejar mucho tiempo el aceite o grasa en la freidora.

Si el aceite o grasa tienen un sabor

Ciertas clases de alimentos (especialmente, el pescado) pueden perder algún jugo mientras se frien. Ese jugo podría afectar, de modo negativo, el sabor de los alimentos que se frian a continuación en el mismo aceite o grasa. Para suprimir (o, mejor dicho, impedir) ese sabor:

- Calienten el aceite hasta 160° C.
- A continuación, frían 2 delgadas rebanadas de pan (5 - 6 mm).
- Esperen hasta que hayan desaparecido todas las burbujas de aire y que el pan esté tostado por igual.
- Saquen entonces el pan de la freidora y tírenlo. El aceite o grasa tendrán, de nuevo, un sabor neutro.

Indicador de la situación del aceite o grasa.

Su freidora está equipada con un indicador de la situación del aceite o grasa para recordarles cuando deben renovarlos. Mientras su freidora calienta el aceite o grasa, la sección verde del indicador es gradualmente sustituida por la sección roja, lo cual se corresponde con el proceso de envejecimiento del aceite o grasa.

- Sustituyan el aceite o grasa viejos cuando el indicador se muestre completamente rojo (fig. 11). Por supuesto, pueden terminar la fritura con toda seguridad.
- No olviden retornar a la sección verde el indicador de la situación del aceite o grasa después de renovarlos. Presionen el botón de rearme (fig. 12).

Notas :

- El freír alimentos que contengan muchas proteínas (por ejemplo, pescado, carne), el freír a temperaturas demasiado altas y las partículas carbonizadas pueden hacer necesario el adelantar la renovación del aceite o grasa.
- El indicador está preparado para una calidad normal del aceite o grasa. Sin embargo, los aceites o grasas vegetales puros que contienen ácidos poliinsaturados son, a menudo, recomendados por especialistas en sanidad.

Tengan en cuenta que, para mantener sus buenas cualidades, estos tipos de aceite o grasa deben ser renovados más a menudo que los otros tipos. Y también la freidora debe ser limpiada más a menudo.

Limpieza

- Saquen la clavija de la toma de corriente. Deje que la freidora se enfríe suficientemente.
- Vierta el aceite o grasa líquida.
- **Exterior:** Limpie el exterior de la freidora con un paño húmedo (añadiendo, si es necesario, un poco de detergente) y / o un papel de celulosa.
- **Interior:** Quite los residuos de grasa o aceite del interior de la freidora con una espátula o papel de cocina.
- Viertan en la freidora un poco de agua caliente con un agente limpiador. Asegúrense de que el nivel de esta agua jabonosa sea un poco más alto que el nivel del aceite / grasa que hayan usado.
- Deje actuar el agua con jabón de 30 a 45 minutos.
- Limpie el interior con un cepillo.
- Vacíen la freidora y enjuáguela con agua limpia. (No la enjuaguen debajo del grifo y para ello utilicen, por ejemplo, una taza.) Asegúrense de que el agua no ha entrado en el aparato.
- Laven el cestillo para freír en agua caliente jabonosa y enjuáguelo. No laven el cestillo en lavavajillas.

Filtro permanente

Su freidora está equipada con un filtro permanente del vapor.

Les aconsejamos limpiar este filtro de metal a intervalos regulares.

- Presionen el mando de liberación (B) (fig. 2).
- Pongan la tapa en posición vertical y séquenla de sus bisagras (fig. 9).
- Pongan la tapa completa en agua caliente jabonosa y déjenla allí durante unos 5 - 10 minutos (fig. 13).
- Enjuaguen bien la tapa y séquenla.

Внимание!

- Прежде чем пользоваться электроприбором, прочитайте настоящее Руководство по эксплуатации и ознакомьтесь с иллюстрациями (приведены на стр. 3 и 50).
- Перед подключением убедитесь в том, что напряжение, указанное на основании фритюрницы, соответствует напряжению в электросети.
- Запрещается погружать электроприбор в воду.
- Перед эксплуатацией протрите детали электроприбора влажной тряпкой. Убедитесь в том, что эти детали насухо вытерты, прежде чем заполнять фритюрницу растительным маслом или жиром.
- Не включайте прибор, не наполнив его растительным маслом или жиром. Во время плавления жира установите температуру 160 °С и не увеличивайте температуру до тех пор, пока весь жир полностью не растопится. Жир следует растапливать на дне фритюрницы, а не в сетке.
- Используйте только те виды жиров и растительных масел, которые специально предназначены для фритюрницы. Эту информацию можно найти на упаковках жиров и растительных масел.
- Всегда наполняйте фритюрницу растительным маслом или жиром до уровня между отметками МИН и МАХ. Перед началом работы убедитесь в достаточном количестве растительного масла или жира во фритюрнице.
- Не превышайте указанного в таблице количества используемых продуктов. Не заполняйте сетку выше отметки 3/4. Если сетка будет переполнена, жир/растительное масло могут перелиться через край фритюрницы.
- В процессе работы горячий пар проходит через фильтр, установленный в крышке. Оберегайте руки и лицо от пара.
- Фритюрница должна находиться в местах, недоступных детям, особенно в процессе работы.
- Следите за тем, чтобы сетевой шнур не свешивался через край стола или раковину.
- После окончания работы выньте вилку шнура из розетки электросети, чтобы жир или растительное масло могли остыть. Не передвигайте фритюрницу до тех пор, пока она как следует не остынет.
- На внутреннюю поверхность фритюрницы нанесено специальное антипригарное покрытие.
- Во избежание повреждения покрытия не прикасайтесь к нему металлическими предметами. Устанавливайте и вынимайте сетку осторожно. Не пользуйтесь средством для механической очистки или средствами, содержащими жидкий абразив, жесткими губками и металлическими мочалками всех видов.
- Сохраните Руководство в качестве справочного материала.

ОБЩЕЕ ОПИСАНИЕ (рис.1)

- A** Ручка крышки
- B** Кнопка фиксации крышки
- C** Стационарный фильтр
- D** Окно
- E** Петли крышки
- F** Емкость для стекания воды
- G** Индикатор
- H** Регулятор температуры
- I** Ручка погружаемой сетки
- J** Фиксатор погружаемой сетки
- K** Погружаемая сетка

- L** Шнур (можно хранить в специальном отсеке электроприбора)
- M** Желоб
- N** Индикация оптимальных температурных режимов
- O** Ручка регулировки таймера
- P** Звонок таймера
- Q** Индикатор состояния растительного масла/жира
- R** Кнопка установки в исходное состояние (индикатора состояния растительного масла/жира)

Перед началом эксплуатации

- Промойте сетку в горячей мыльной воде.
- Тщательно промойте горячей мыльной водой внутреннюю поверхность фритюрницы.
- Ополосните внутреннюю часть фритюрницы чистой водой (например, с помощью чашки), хорошо просушите.

Обжаривание во фритюрнице

- Нажмите кнопку фиксации крышки (B). Крышка автоматически откроется (рис. 2).
- Если вы хотите использовать свежий жир вместо имеющегося во фритюрнице масла, сначала установите сетку таким образом, чтобы ручка сетки находилась на краю фритюрницы в горизонтальном положении. Вы услышите щелчок (рис. 3). Затем выньте сетку (рис. 4).

Обратно сетку можно ставить как только жир полностью растопится.

- Если вы желаете использовать для обжаривания растительное масло, вы можете не вынимать сетку. (Это также возможно, если вы разогреваете жир, использовавшийся ранее, и который плавится в емкости и вокруг сетки.)
- Заполните сухую емкость фритюрницы растительным маслом или жиром до отметки MAX (2,5 литра масла или 2250 грамм жира) (рис. 5).
Внимание! Никогда не смешивайте разные марки масла или жира.
- Вытяните шнур на нужную вам длину. Излишек шнура оставьте в отсеке.
- Вы можете нанести некоторое количество масла на внутреннюю поверхность окна, чтобы предупредить накопление конденсирующейся в процессе работы фритюрницы воды.
- Закройте крышку - это ускорит процесс нагревания масла/жира. (Крышка запирается автоматически).
- Вставьте вилку шнура в розетку электросети.
- Если вы используете жир, то сначала установите температуру на 160 °C. Подождите пока весь жир не растопится.
- Установите ручку регулятора температуры в положение, оптимальное для используемых вами продуктов. Для этого см. таблицу или указания на фритюрнице.
- Если вы используете для обжаривания масло, можно установить соответствующий температурный режим сразу.

- Через 10-15 минут мигание индикатора подтвердит, что масло/жир доведены до необходимой температуры.
- Нажмите на кнопку фиксации крышки (1), чтобы ее открыть (2) (рис. 2).
- Установите ручку сетки в горизонтальное положение, при котором раздается щелчок (рис. 3), и выньте сетку из фритюрницы (рис. 4).
- Поместите в сетку продукты.
- Установите сетку обратно во фритюрницу (рис. 6) и закройте крышку. Если крышка сразу не закрывается, плотно прижмите её.
- Освободите (1) ручку погружаемой сетки и опустите её вниз (2) (рис. 7).
- Вы можете установить необходимое время обжаривания с помощью таймера. Сначала поверните ручку таймера по часовой стрелке до отметки "15". Затем, поворачивая ручку таймера против часовой стрелки, установите требуемое время обжаривания.
- Внимание! Таймер предупредит вас сигналом, о том, что установленное время истекло, но не отключит саму фритюрницу!
- Процесс приготовления можно наблюдать через окно не поднимая крышки. Вначале на окне может осесть конденсат, но в дальнейшем он испарится.
- Для того, чтобы продукты обжарились равномерно, рекомендуется несколько раз встряхнуть сетку в процессе работы фритюрницы. Это следует сделать при закрытой крышке (рис. 8).
- По окончании процесса обжаривания поднимите сетку и установите её таким образом, чтобы в горизонтальном положении ручки раздался щелчок. Дайте маслу/жиру стечь. Затем нажмите кнопку фиксации крышки, чтобы её открыть (рис. 2).
- При необходимости можно встряхнуть сетку над фритюрницей, чтобы стёк лишний жир/масло.
- Выньте сетку из фритюрницы и поместите готовые продукты в дуршлаг с жиропоглощающей бумагой на дне (или с обычным кухонным бумажным полотенцем).
- Конструкция погружаемой в масло/жир сетки позволяет мелким частицам пищи оставаться во фритюрнице, когда сетку вынимают. Удалите эти частицы пищи, поскольку, попадая в масло, они существенно ухудшают его вкусовые свойства.
- По окончании работы выньте вилку шнура из розетки электросети.

Температура	Вид продуктов	Максимальное количество для		Время обжаривания *) (минуты)
		приготовления	незамороженные	
160 °С	Цыпленок (филе, ножки)	300 г	200 г	20-25
170 °С	Крокеты из сыра Оладьи из мелких креветок	4 шт.	3 шт.	5
		4-5 шт.		2-4
180 °С	Пончики с яблоками	4-5 шт.		4-5
	Сырные шарики	4-5 шт.		2-4
	Рыбные палочки/филе	5 шт.	3 шт.	5
	Фрикадельки Мидии	10-13 шт. 10-12 шт.		4-5 2,5-3
190 °С	Оладьи	3-4 шт.		2-4
	Пончики	3 шт.	2 шт.	6-8
	**) Картофель по-французски	350 г	250 г	5
	Кордон блю "Cordon bleu"	2 шт.		3-4
	Крокеты из рыбы	4 шт.	3 шт.	5
	Крокеты из картофеля	4 шт.	3 шт.	5
	Картофель ломтиками	4 шт.	3 шт.	5
	Шницель по-венски	300 г	200 г	2 ^{1/2} -3

*) Для замороженных продуктов время приготовления может быть больше, чем указанное в таблице.

***) Для картофеля фри по-французски из молодой картошки см. параграф "Картофель фри по-французски".

- Если емкость для стекания воды заполнилась, необходимо произвести следующие действия:
- Нажмите кнопку фиксации крышки и откройте крышку (рис.2); установите крышку в вертикальном положении и снимите её с петель (рис. 9); вылейте воду из емкости для воды (рис. 10).
- Храните фритюрницу с закрытой крышкой, это предотвратит попадание пыли и т.п. внутрь фритюрницы.
- Вы можете протолкнуть шнур в отсек для его хранения внутри электроприбора.

Таблица

В таблице указаны все виды продуктов, которые могут обжариваться во фритюрнице, а также температурные режимы, при которых эти продукты рекомендуется готовить. В таблице также указаны оптимальные для приготовления объемы продуктов. Разумеется, указанные объемы можно увеличивать, например, можно жарить и по 500 грамм замороженного картофеля по-французски. Однако в этом случае корочка не будет такой хрустящей, а время приготовления увеличится.

Картофель по-французски

Для получения самого лучшего и хрустящего картофеля по-французски вам необходимо соблюдать следующее:

- Не используйте слишком молодой картофель.
- Сначала нарежьте картофель широкими продольными кусками, а затем соломкой. Ополосните нарезанный картофель под холодной водой в дуршлаге. Это рекомендуется сделать для того, чтобы в процессе поджаривания картофель не слипался. Высушите картофель, используя, например, кухонное бумажное полотенце.
- Картофель по-французски следует готовить в два приема:
 - **сначала при температуре 160 °С, в течение 8-10 минут.**
 - **затем при температуре 190 °С, в течение 2-4 минут.**

В процессе второго этапа время от времени встряхивайте сетку; тогда картофель обжаривается полностью.

Замороженные продукты

Продукты из морозилки или морозильной камеры вашего холодильника (от -16 до -18 °С) значительно охладят масло/жир, в связи с чем значительное количество масла/жира будет поглощено.

- По этой причине не кладите слишком большие порции продуктов во фритюрницу.
- В этом случае подождите 15-20 минут, пока температура фритюрницы не достигнет оптимального значения.

Ручка регулятора температуры должна быть установлена в соответствии с указаниями на упаковке замороженного продукта. Если соответствующих указаний на упаковке нет, установите ручку регулятора температуры на максимум 190 °С.

Эти рекомендации также относятся к некоторым видам продуктов, требующим особенно тщательного приготовления, таким как мясные крокеты.

Замороженный картофель по-французски уже предварительно обжарен, и может готовиться за один прием: не более 250 граммов при температуре 190 °С в течение 5 минут.

- Замороженные продукты содержат значительное количество льда. Постарайтесь по возможности очищать продукты ото льда в раковине. Затем осторожно опустите продукт в

масло/жир, поскольку замороженный продукт может вызвать сильное бурление и выбросы мелких капель кипящего масла/жира.

Полезные советы

- Специалисты часто рекомендуют употреблять растительные масла и жиры, содержащие полиненасыщенные кислоты. Обратите внимание, что подобные масла и жиры требуют более частой замены для сохранения высокого качества обжаривания. Выше уровня масла/жира может возникнуть липкий ободок из жировых отложений. Мы советуем производить чистку фритюрницы после каждого пользования теплой водой с помощью чистящих средств (см. раздел "Очистка").
- Регулярно обновляйте масло/жир. Никогда не добавляйте свежее масло/жир к уже использовавшимся во фритюрнице.
- Обычно масло/жир во фритюрнице требуют замены довольно быстро, если часто готовятся содержащие много белка продукты (такие, как мясо или рыба). Масло/жир можно использовать 10-12 раз, если пожарив картофель, каждый раз пропускать масло/жир через фильтр. В любом случае не следует использовать одни и те же масло/жир более шести месяцев. Затем их следует выбрасывать. Остывшее масло можно слить в бутылку, а застывший жир завернуть в старую бумагу. Застывший жир в емкости фритюрницы можно легко удалить, нагрев емкость в течение минуты до температуры 160 °С. Жир стечет вниз и не будет оставаться на стенках.
- Обязательно меняйте масло/жир, если при нагревании наблюдается бурление; если у масла/жира прогорклый вкус; когда масло/жир темнеют и приобретают консистенцию сиропа.
- Убедитесь в том, что продукт, опускаемый вами в горячее масло/жир - сухой.
- Очищайте фритюрницу бумажным полотенцем. Не забывайте очищать внутренние стенки.
- Если вы пользуетесь фритюрницей не слишком часто, лучше всего хранить масло в плотно закрытом стеклянном сосуде, предпочтительно в холодильнике. Жир удобно хранить в стеклянной или керамической посуде. Не рекомендуется надолго оставлять масло/жир внутри фритюрницы.

Если масло/жир имеет привкус

Некоторые виды продуктов, особенно рыба, выделяют в процессе обжаривания определенную жидкость, придающую нежелательный привкус продуктам, которые обжариваются в том же масле/жире. Чтобы избавиться от этого привкуса, (а скорее для того, чтобы его предотвратить), нагрейте масло/жир до 160 °С. Затем поджарьте в масле/жире два тонких кусочка хлеба (5-6 мм или 0,25"). Ждите, пока не исчезнут пузырьки воздуха и хлеб не станет коричневым со всех сторон. Затем выньте прожаренный хлеб и выбросьте его. Теперь масло/жир в вашей фритюрнице имеют нейтральный вкус.

Индикатор состояния масла/жира

Ваша фритюрница снабжена индикатором состояния масла/жира, который будет напоминать вам о необходимости замены масла/жира.

По мере нагревания масла/жира во фритюрнице зеленая секция индикатора будет постепенно приобретать красный цвет.

Наличие красного цвета сообщает о непригодности масла/жира.

- Масло/жир следует заменить, если индикатор стал полностью красным (рис. 11). Для этого нет необходимости прерывать процесс приготовления очередного продукта.
- Не забудьте перевести индикатор на зеленую секцию после замены масла/жира. Для этого нажмите кнопку установки индикатора в исходное положение (рис. 12)

Обратите внимание!

- Обжаривание продуктов, содержащих большое количество белка (например, рыба, мясо), приготовление продуктов при высоких температурах и обуглившиеся остатки пищи в емкости могут потребовать замены масла/жира скорее, чем обычно.
- Индикатор оптимизирован под наиболее распространенные виды масла/жира. Рекомендуются специалистами растительные масла и жиры, содержащие полиненасыщенные кислоты, с целью сохранения высокого качества обжаривания требуют обновления быстрее, чем обычные виды масел/жиров. Если вы используете растительные масла/жиры, емкость фритюрницы необходимо чистить чаще.

Очистка

- Выньте вилку шнура из розетки электросети. Подождите, пока фритюрница достаточно остынет.
- Вылейте масло или жидкий жир.
- Вытрите начисто внешние стенки фритюрницы мокрой салфеткой (при необходимости добавьте моющее средство) и/или бумажным полотенцем.
- Остатки масла и жира внутри фритюрницы снимите лопаткой или кухонным бумажным полотенцем.
- Налейте в емкость горячую воду с добавлением моющего средства. Уровень этой смеси должен быть чуть выше уровня находившегося в емкости масла/жира.
- Оставьте воду во фритюрнице на 30-45 минут.
- Вымойте внутреннюю поверхность фритюрницы щеткой.
- Вылейте воду и ополосните фритюрницу горячей водой.
(Не ополаскивайте фритюрницу под краном, пользуйтесь, например, чашкой). Следите за тем, чтобы вода не попадала внутрь электроприбора.
- Промойте сетку в горячей воде с добавлением моющего средства и хорошо ополосните. Не мойте сетку в посудомоечной машине.
- После каждой чистки убедитесь в том, что фритюрница сухая как изнутри, так и снаружи.

Постоянный фильтр

Фритюрница снабжена постоянным паровым фильтром.

Мы рекомендуем регулярно производить чистку этого металлического фильтра.

- Нажмите на кнопку фиксации крышки, чтобы крышка открылась (рис.2).
- Поднимите крышку и снимите её с петель (рис. 9).
- Положите крышку в горячую мыльную воду на 5-10 минут (рис. 13).
- Ополосните крышку горячей водой. Стряхните воду с крышки и дайте ей обсохнуть.

