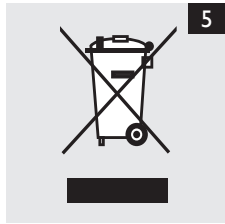
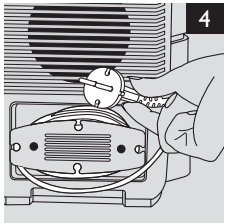
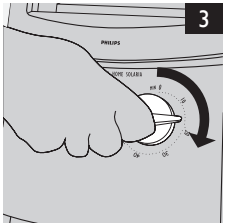
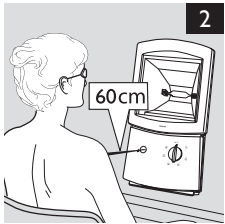
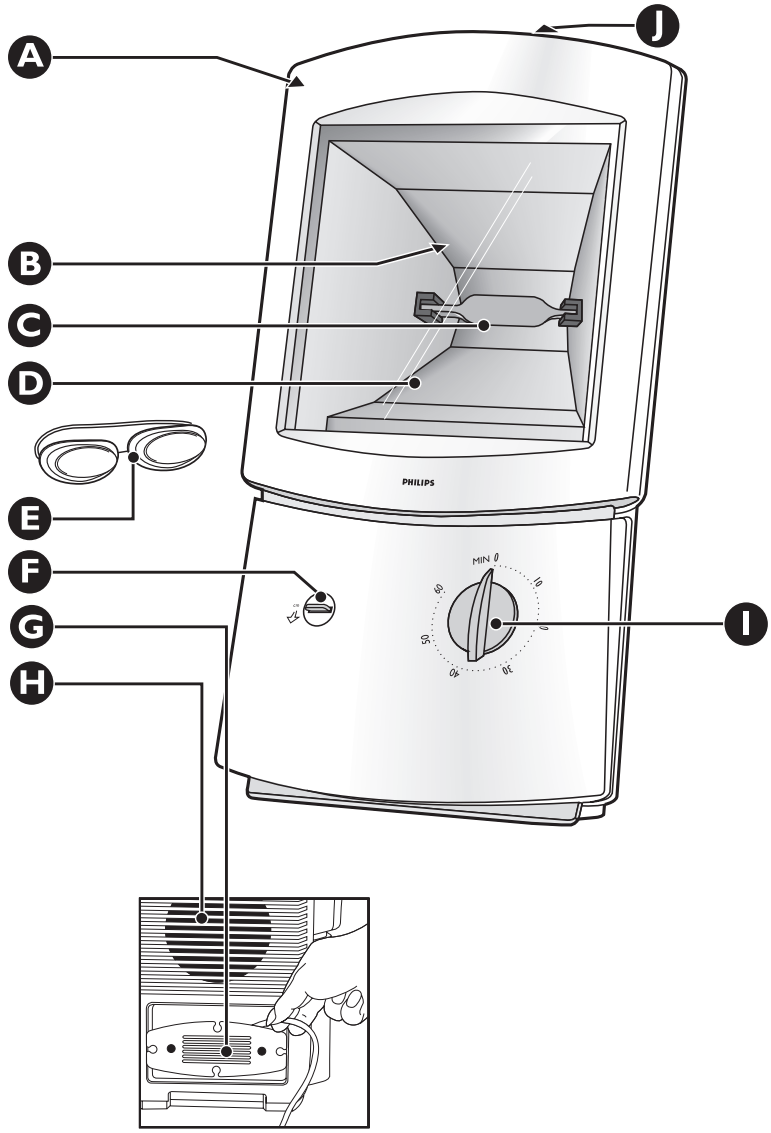


Solarium

HB404, HB400



PHILIPS



ENGLISH	6
DANSK	11
DEUTSCH	17
ΕΛΛΗΝΙΚΑ	23
ESPAÑOL	29
FRANÇAIS	36
ITALIANO	42
NEDERLANDS	48
NORSK	54
PORTUGUÊS	59
SVENSKA	65
TÜRKÇE	70

Introduction

With this luxury half-body tanner, you can tan your face, shoulders and décolleté. It has a powerful high-pressure lamp for fast and more natural tanning results. The appliance has a measuring tape and an adjustable timer.

General description (Fig. 1)

- A** Storage hook for goggles
- B** Reflector
- C** Tanning lamp (type Philips HPA flexpower 400-600)
- D** UV filter
- E** Protective goggles (2 pairs) (type no. HB071/service no. 4822 690 80123)
- F** Measuring tape
- G** Mains cord with cord winding facility
- H** Fan
- I** Timer
- J** Handgrip

Important

Read this user manual carefully before you use the appliance and save it for future reference.

- Check if the voltage indicated on the appliance corresponds to the local mains voltage before you connect the appliance.
- If the mains cord is damaged, you must have it replaced by Philips, a service centre authorised by Philips or similarly qualified persons in order to avoid a hazard.
- Water and electricity are a dangerous combination. Do not use this appliance in wet surroundings (e.g. in the bathroom or near a shower or swimming pool).
- If you have just been swimming or have just taken a shower, dry yourself thoroughly before you use the appliance.
- This appliance is not intended for use by persons with reduced physical, sensory or mental capabilities, or lack of experience and knowledge, unless they have been given supervision or instruction concerning use of the appliance by a person responsible for their safety.
- Children should be supervised to ensure that they do not play with the appliance.
- Always unplug the appliance after use.
- Let the appliance cool down for approx. 15 minutes before you store it.
- Make sure the vents in the back of the appliance and in the handgrip remain open during use.
- The appliance is fitted with an automatic protection against overheating. If the appliance is insufficiently cooled (e.g. because the vents are covered), the appliance switches off automatically. Once you have removed the cause of overheating and the appliance has cooled down, it switches on again automatically.
- Do not exceed the recommended tanning time and the maximum number of tanning hours (see section 'Tanning sessions: how often and how long?').
- Never use the appliance when the UV filter is damaged, broken or missing or when the timer is defective.
- Do not choose a tanning distance of less than 60cm.
- Do not tan a particular part of your body more than once a day. Avoid excessive exposure to natural sunlight on the same day.
- Do not use this tanning appliance if you have a disease and/or use medication or cosmetics that increase the sensitivity of the skin to ultraviolet light. Be extra careful if you are hypersensitive to ultraviolet light. Consult your doctor in case of doubt.
- The appliance is not to be used by people who get sunburnt without tanning when exposed to the sun, by persons who suffer from sunburn, by children, or by persons who suffer (or have previously suffered) from skin cancer or who are predisposed to skin cancer.

- Do not use the tanning appliance and consult your doctor if unexpected effects such as itching occur within 48 hours after the first session.
- Consult your doctor if persistent lumps or sores appear on the skin, or if there are changes in pigmented moles.
- Always wear the protective goggles provided with the appliance while tanning to protect your eyes against overexposure (also see section 'UV and your health').
- Remove creams, lipstick and other cosmetics well in advance of a tanning session.
- Do not use any sunscreens or suntan accelerators.
- If your skin feels taut after the tanning session, you can apply a moisturising cream.
- Colours may fade under the influence of the sun. The same effect may occur when you use this appliance.
- Do not expect the appliance to yield better results than natural sunlight.

Electromagnetic fields (EMF)

This Philips appliance complies with all standards regarding electromagnetic fields (EMF). If handled properly and according to the instructions in this user manual, the appliance is safe to use based on scientific evidence available today.

Tanning and your health

The sun

The sun supplies various types of energy. Visible light enables us to see, ultraviolet (UV) light gives us a tan and the infrared (IR) light in sunrays provides the heat in which we like to bask.

Half-body tanner

With this half-body tanner, you can suntan comfortably at home. A timer ensures that each session does not last longer than 60 minutes. Just as with natural sunlight, overexposure must be avoided (see section 'UV and your health').

UV and your health

Just as with natural sunlight, the tanning process takes some time. The first effect only becomes visible after a few sessions (see section 'Tanning sessions: how often and how long?'). Overexposure to ultraviolet light (natural sunlight or artificial light from your tanning appliance) can cause sunburn.

Besides many other factors, such as overexposure to natural sunlight, incorrect and excessive use of a tanning appliance may increase the risk of skin and eye problems. The degree to which these effects occur is determined by the nature, intensity and duration of the exposure on the one hand and the sensitivity of the person involved on the other hand.

The more the skin and the eyes are exposed to UV light, the higher the risk of keratitis, conjunctivitis, damage to the retina, cataracts, premature skin ageing and the development of skin tumours will be. Some medications and cosmetics increase the sensitivity of the skin.

It is therefore highly important:

- that you follow the instructions in chapter 'Important' and section 'Tanning sessions: how often and how long?';
- that you do not exceed the maximum number of tanning hours per year (see section 'Tanning sessions: how often and how long?');
- that you always wear the goggles provided while tanning;
- that the tanning distance (distance between the UV filter and your body) is at least 60cm.

Tanning sessions: how often and how long?

- Do not take more than one tanning session per day, over a period of five to ten days.
- Take a break of at least 48 hours between the first and the second session.
- After this 5 to 10-day course, we advise you to stop tanning for a while.
- Approximately one month after a course, your skin will have lost much of its tan. You can then start a new course.

6 ENGLISH

- If you want to keep your tan, do not stop tanning after the course, but continue with one or two tanning sessions a week.
- Whether you choose to stop tanning for a while or whether you continue tanning on a lower frequency, always keep in mind that you must not exceed the maximum number of tanning hours.
- For this appliance, the maximum is 20 tanning hours (=1200 minutes) a year.

Example

Suppose you take a 10-day tanning course, with an 8-minute session on the first day and a 20-minute session on the nine following days.

The entire course then lasts $(1 \times 8 \text{ minutes}) + (9 \times 20 \text{ minutes}) = 188 \text{ minutes}$.

In one year you can take 6 of these courses, as $6 \times 188 \text{ minutes} = 1128 \text{ minutes}$.

- Of course, the maximum number of tanning hours applies to each separate part or side of the body that is tanned (e.g. the back and front of the body).

As the table shows, the first session of a tanning course must always last 8 minutes, irrespective of the sensitivity of the skin.

Duration of the tanning session for each side/part of the body	for persons with very sensitive skin	for persons with normal sensitive skin	for persons with less sensitive skin
1st session	8 minutes	8 minutes	8 minutes
break of at least 48 hours	break of at least 48 hours	break of at least 48 hours	break of at least 48 hours
2nd session	10-15 minutes	20 minutes	25-30 minutes*
3rd session	10-15 minutes	20 minutes	25-30 minutes*
4th session	10-15 minutes	20 minutes	25-30 minutes*
5th session	10-15 minutes	20 minutes	25-30 minutes*
6th session	10-15 minutes	20 minutes	25-30 minutes*
7th session	10-15 minutes	20 minutes	25-30 minutes*
8th session	10-15 minutes	20 minutes	25-30 minutes*
9th session	10-15 minutes	20 minutes	25-30 minutes*
10th session	10-15 minutes	20 minutes	25-30 minutes*

* Or longer, depending on your skin sensitivity.

If you think that the sessions are too long for you (e.g. because your skin feels taut and tender after the session), we advise you to reduce the length of the sessions by e.g. 5 minutes.

For a beautiful, even tan, turn your face and body to the left and right from time to time.

This ensures that the sides of your face and body are equally exposed.

If your skin feels slightly taut after tanning, you can apply a moisturising cream.

Using the appliance

- 1 Place the appliance on a solid, flat and stable surface.
- 2 Fully unwind the mains cord.
- 3 Put the plug in the wall socket.
- 4 Position yourself in front of the appliance.
- 5 Put on the protective goggles provided.

- Only use these protective goggles when you tan with a Philips tanning appliance. Do not use them for other purposes.
- The protective goggles comply with protection class II according to directive 89/686/EEC.

6 Check the distance between your body and the tanning appliance.

- During tanning, the distance between the UV filter and the part of the body to be tanned must be at least 60cm. (Fig. 2)
- Use the measuring tape to check the distance.

7 Switch on the appliance by setting the timer to the required tanning time (Fig. 3).

Note: For the correct tanning times, see section ‘Tanning sessions: how often and how long?’

► When the set time has elapsed, the timer automatically switches off the appliance.

- If you want to tan more parts of your body successively, you can set a new time before the set time has elapsed.
- By setting the timer again before the set time has elapsed, you avoid the 3-minute waiting time which is necessary to allow the tanning lamp to cool down.

8 Always unplug the appliance after use.

Tip: Keep track of the overall number of sessions you have had on a piece of paper.

Cleaning

Always unplug the appliance and let it cool down before you clean it.

Never use scouring pads, abrasive cleaning agents or aggressive liquids such as petrol or acetone to clean the appliance.

1 Clean the outside of the appliance with a damp cloth.

Do not let water run into the appliance.

2 Clean the UV filter with a soft cloth sprinkled with some methylated spirits.

3 Clean the protective goggles with a moist cloth.

Storage

1 Unplug the appliance.

2 Let the appliance cool down for 15 minutes before you store it.

3 Wind the cord round the cord storage facility on the back of the appliance (Fig. 4).

Replacement

Lamp

The light emitted by the tanning lamp becomes less bright in time (i.e. after a few years in case of normal use). When this happens, you notice a decrease in the tanning capacity. You can solve this problem by setting a slightly longer tanning time or by having the tanning lamp replaced.

Always have the tanning lamp replaced by a service centre authorised by Philips. Only they have the knowledge and skills required for this job and the original spare parts for your appliance.

UV filter

Never use this appliance when the UV filter is broken, damaged or missing.

Always have the UV filter replaced right away when it is damaged or broken.

Always have the UV filter replaced by a service centre authorised by Philips. Only they have the knowledge and skills required for this job and the original spare parts for your face tanner.

Protective goggles

Additional or replacement goggles, type HB071, can be ordered under service number 4822 690 80123.

Environment

- Do not throw away the appliance with the normal household waste at the end of its life, but hand it in at an official collection point for recycling. By doing this, you help to preserve the environment (Fig. 5).
- The lamp of this appliance contains substances that may pollute the environment. When you discard the lamp, do not throw it away with the normal household waste, but dispose of it at an official collection point.

Guarantee and service

If you need information or if you have a problem, please visit the Philips website at www.philips.com or contact the Philips Customer Care Centre in your country (you find its phone number in the worldwide guarantee leaflet). If there is no Customer Care Centre in your country, go to your local Philips dealer or contact the Service Department of Philips Domestic appliances and Personal Care BV.

Guarantee restrictions

The tanning lamp is not covered by the terms of the international guarantee.

Troubleshooting

If problems should arise with this appliance and you are unable to solve them with the information below, please contact the nearest Philips service centre or the Philips Customer Care Centre in your country.

Problem	Solution
The appliance does not start	Make sure the plug has been properly inserted into the wall socket. There may be a power failure. Check if the power supply works by connecting another appliance. The timer may not have been set. Set the timer to the appropriate tanning time.
Poor tanning results	The lamp may still be too warm to restart. Let the lamp cool down for 3 minutes before you switch it on again. Perhaps you use an extension cord that is too long or does not have the correct current rating. Consult your dealer. Our general advice is not to use an extension cord. You may have followed a tanning course that is not appropriate for your skin type. Check the table in section 'Tanning sessions: how often and how long?'. Perhaps the distance between the lamp and your body is larger than prescribed. When you have used the lamp for a long time, its tanning capacity decreases. This effect only becomes noticeable after several years. To solve this problem, select a slightly longer tanning time or have the lamp replaced.

Introduktion

Med dette eksklusive halvkropssolarium kan du brune ansigt, skuldre og bryst. Det har en kraftfuld HP-lampe, som giver et hurtigt og mere naturligt resultat. Apparatet er udstyret med et målebånd og en justérbar timer.

Generel beskrivelse (fig. 1)

- A** Krog til beskyttelsesbriller
- B** Reflektor
- C** Solarielampe (type Philips HPA flexpower 400-600)
- D** UV-filter
- E** Beskyttelsesbriller (2 par) (type nr. HB071/service nr. 4822 690 80123)
- F** Målebånd
- G** Netledning med ledningsoprul
- H** Ventilator
- I** Timer
- J** Håndgreb

Vigtigt

Læs denne brugsvejledning omhyggeligt igennem, inden apparatet tages i brug, og gem den til eventuelt senere brug.

- Kontrollér, om den angivne netspænding på apparatet svarer til den lokale netspænding, før du slutter strøm til apparatet.
- Hvis netledningen beskadiges, må den kun udskiftes af Philips, et autoriseret Philips-serviceværksted eller en tilsvarende kvalificeret fagmand for at undgå enhver risiko.
- Vand og elektricitet er en farlig kombination. Anvend aldrig apparatet i våde omgivelser (f.eks. i badeværelset eller i nærheden af en bruser eller swimmingpool).
- Efter en svømmetur eller et brusebad skal du tørre dig grundigt, før du bruger solariet.
- Dette apparat er ikke beregnet til at blive brugt af personer med nedsatte fysiske og mentale evner, nedsat følesans eller manglende erfaring og viden, medmindre de er blevet vejledt eller instrueret i apparatets anvendelse af en person, der er ansvarlig for deres sikkerhed.
- Apparatet bør holdes uden for børns rækkevidde for at sikre, at de ikke kan komme til at lege med det.
- Tag altid stikket ud af stikkontakten efter brug.
- Lad apparatet køle af i ca. 15 minutter, før du stiller det væk.
- Sørg for, at lufthullerne bag på apparatet og i håndgrebet ikke blokeres under brug.
- Apparatet er udstyret med automatisk beskyttelse mod overophedning. Hvis apparatet ikke afkøles tilstrækkeligt (f.eks. hvis lufthullerne er tildækkede), slår det automatisk fra. Når årsagen til overophedningen er fjernet, og apparatet er kølet af, tænder det automatisk igen.
- Overskrid ikke de anbefalede behandlingstider og det maksimale antal årlige "solbruningstimer" (se afsnittet "UV-behandlinger: Hvor ofte og hvor længe?").
- Brug ikke apparatet, hvis UV-filtret er beskadiget, ødelagt eller helt mangler, eller hvis timerfunktionen er defekt.
- Behandlingsafstanden skal være minimum 60 cm.
- Ingen kropsdel bør solbrunes mere end én gang dagligt. Undgå for meget naturligt sollys samme dag.
- Brug ikke solariet, hvis du lider af en sygdom og/eller bruger medicin eller kosmetik, som øger hudens følsomhed over for ultraviolet lys. Vær ekstra forsigtig, hvis du er overfølsom over for ultraviolet lys. Spørg din læge, hvis du er i tvivl.
- Solariet må ikke anvendes af personer, der bliver forbrændte af den naturlige sol uden at blive brune, af personer, der er solskoldede, af børn eller af personer, der lider (eller tidligere har lidt) af hudkræft, eller som er disponerede for hudkræft.

10 DANSK

- Kontakt din læge og undlad brug af solariet, hvis der opstår uventede bivirkninger som f.eks. kløe inden for 48 timer efter den første behandling.
- Rådfør dig med din læge, hvis der opstår vedvarende hævelser eller sår på huden, eller hvis der sker ændringer i hudens pigmentering (modermærker eller skønhedspletter).
- Brug altid de medfølgende beskyttelsesbriller for at beskytte øjnene mod for meget sol (se også afsnittet "UV-stråler og sundhed").
- Fjern altid creme, læbestift og andre kosmetiske midler før UV-behandling.
- Brug ikke nogen former for solcreme og/eller selvbrunende præparater.
- Føles huden stram efter behandlingen, kan du smøre den med lidt fugtighedscreme.
- Farver bleges ofte af den naturlige sols påvirkning, og det samme kan være tilfældet ved brug af solariet.
- Man kan ikke forvente at opnå bedre resultater ved brug af solariet end ved naturlig solbestråling. OBS! I henhold til "Vejledende retningslinier for markedsføring af UV-bestrålingsapparater (UV-sole og UV-solarier)", udstedt af Forbrugerombudsmanden, skal vi orientere om følgende: Der har i en lang årrække været foretaget videnskabelige studier af lyset fra solen. Herigennem er påvist en vis sammenhæng mellem langvarig bestråling med UV-stråler og forekomsten af alvorlige hudskader. Ligeledes er en ændring af hudens elasticitet konstateret. Der må derfor advares mod overdreven udsættelse for UV-stråling. Den i vejledningen angivne brugsafstand, bestrålingshyppighed og maksimale bestrålingstid bør endvidere nøje overholdes. Forvent ikke, at apparatet giver bedre resultater, end naturligt sollys ville gøre.

Elektromagnetiske felter (EMF)

Dette Philips-apparat overholder alle standarder for elektromagnetiske felter (EMF). Ved korrekt anvendelse i overensstemmelse med instruktionerne i denne brugsvejledning, er apparatet sikkert at anvende, ifølge den videnskabelige viden, der er tilgængelig i dag.

Solbad og sundhed

Solen

Solen udsender forskellige former for energi: Synligt lys, som gør det muligt for os at se, ultraviolet (UV) lys, som bruner huden, og infrarødt (IR) lys, som giver os en behagelig varme.

Halvkrops-solarium

Med dette halvkrops-solarium kan du nemt og bekvemt solbade hjemme. En timer sikrer, at den enkelte behandling højst varer 60 minutter. På samme måde som ved naturligt sollys, skal man undgå overdreven soldyrkelse (se afsnittet "UV-stråler og sundhed").

UV-stråler og sundhed

Ligesom ved naturligt sollys tager bruningsprocessen lidt tid. Den første virkning ses først efter et par behandlinger (se afsnittet "UV-behandlinger: Hvor ofte og hvor længe?").

Udsættes man for overdreven ultraviolet bestråling (fra den naturlige sol eller ved brug af solarium), kan huden blive forbrændt.

Flere faktorer, bl.a. overdreven soldyrkelse samt forkert eller overdreven brug af solarium, vil forøge risikoen for hud- og øjenskader: Hvor store skadelige virkninger, der kan opstå, afhænger dels af strålingens karakter, styrke og varighed - og dels af den pågældende persons følsomhed.

Jo længere tid hud og øjne udsættes for UV-bestråling, desto større risiko for skadevirkninger som hornhinde- og/eller bindehindebetændelse, beskadigelse af nethinden, grå stær; rynket hud samt hudkræft. Visse former for medicin og kosmetik øger følsomheden over for UV-bestråling.

Det er derfor utroligt vigtigt:

- at du følger anvisningerne i afsnittene "Vigtigt" og "UV-behandlinger: Hvor ofte og hvor længe?";
- at du ikke overskrider det maksimale antal årlige behandlingstimer (se afsnittet "UV-behandlinger: Hvor ofte og hvor længe?");
- at du altid bruger de medfølgende beskyttelsesbriller under solbadningen.
- at afstanden mellem UV-filteret og ansigt/krop er mindst 60 cm.

UV-behandlinger: Hvor ofte og hvor længe ?

- Tag ikke mere end én behandling om dagen i en periode på fem til ti dage.
- Vent mindst 48 timer mellem den første og den anden behandling.
- Efter et forløb på 5 til 10 dage, anbefales det at holde en pause.
- Ca. 1 måned efter en serie behandlinger; vil huden have mistet megen farve, og du kan starte en ny serie behandlinger.
- Du kan også vælge at fortsætte med 1 til 2 behandlinger om ugen for at vedligeholde kuløren.
- Uanset om du vælger at holde en pause, eller om du fortsætter behandlingerne med længere intervaller; skal du altid huske, at du ikke må overskride det maksimale antal årlige solbruningstimer.
- For dette solarium er maksimum 20 timer (= 1200 minutter) pr. år.

Eksempel

Lad os antage, at du tager en 10-dages UV-serie med 8 minutters behandling den første dag og 20 minutter hver af de følgende 9 dage.

Hele serien varer således (1 x 8 minutter) + (9 x 20 minutter) = 188 minutter.

Du kan således tage 6 af disse serier på et år (da 6 x 188 minutter = 1128 minutter).

- Det maksimale antal årlige behandlingstimer gælder naturligvis for hver enkelt del eller side af kroppen, der solbrunes (f.eks. for og bag).

Som det fremgår af tabellen, må den første behandling i en serie aldrig være mere end 8 minutter; uanset hudens følsomhed.

Varighed af behandlingen for hver enkelt kroppsdel	for personer med meget følsom hud	for personer med normalt følsom hud	for personer med mindre følsom hud
1. behandling	8 minutter	8 minutter	8 minutter
pause på mindst 48 timer	pause på mindst 48 timer	pause på mindst 48 timer	pause på mindst 48 timer
2. behandling	10-15 minutter	20 minutter	25-30 minutter*
3. behandling	10-15 minutter	20 minutter	25-30 minutter*
4. behandling	10-15 minutter	20 minutter	25-30 minutter*
5. behandling	10-15 minutter	20 minutter	25-30 minutter*
6. behandling	10-15 minutter	20 minutter	25-30 minutter*
7. behandling	10-15 minutter	20 minutter	25-30 minutter*
8. behandling	10-15 minutter	20 minutter	25-30 minutter*
9. behandling	10-15 minutter	20 minutter	25-30 minutter*
10. behandling	10-15 minutter	20 minutter	25-30 minutter*

* eller længere, alt afhængigt af din hudens følsomhed.

Hvis du føler, at behandlingstiden er for lang (hvis huden f.eks. føles stram og øm bagefter), anbefales det at nedsætte behandlingstiden med f.eks. 5 minutter.

Det flotteste og mest ensartede resultat opnås ved at vende ansigt og krop skiftevis til venstre og højre en gang imellem under behandlingen, så alle områder brunes lige meget.

Føles huden lidt stram efterbehandlingen, kan du smøre den med lidt fugtighedscreme.

Sådan bruges apparatet

- 1 Stil solariet på et solidt, jævnt og stabilt underlag.
 - 2 Rul netledningen helt ud.
 - 3 Sæt stikket i en stikkontakt.
 - 4 Sæt dig foran apparatet.
 - 5 **Tag de medfølgende beskyttelsesbriller på.**
 - Brug kun beskyttelsesbrillerne, når du tager sol i et Philips-solarium. De bør ikke bruges til andre formål.
 - Beskyttelsesbrillerne overholder betingelserne i beskyttelsesklasse II iht. direktiv 89/686/EEC.
 - 6 **Kontrollér afstanden mellem din krop og solariet.**
 - Under solbadningen skal afstanden mellem UV-filteret og den del af kroppen, der skal behandles, være mindst 60 cm. (fig. 2)
 - Brug målebåndet til at kontrollere afstanden.
 - 7 **Tænd for apparatet ved at indstille timeren til den ønskede behandlingstid (fig. 3).**
- Bemærk: Find de korrekte behandlingstider i afsnittet "UV-behandlinger: Hvor ofte og hvor længe?"*
- 1 **Når den valgte tid er udløbet, slukker timeren automatisk for apparatet.**
 - Hvis du vil brune flere dele af kroppen efter hinanden, kan du indstille en ny tid, før den angivne tid udløber.
 - Når du indstiller timeren igen, før tiden er udløbet, slipper du for de 3 minutters ventetid, mens solarielampen køler af.
 - 2 **Tag altid stikket ud af stikkontakten efter brug.**

Tip: Hold regnskab med den samlede behandlingstid ved at skrive det ned på et stykke papir.

Rengøring

Tag altid stikket ud af stikkontakten, og lad solariet afkøle, før det rengøres.

Brug aldrig skuresvampe eller skræppe rengøringsmidler så som benzin, acetone eller lignende til rengøring af apparatet.

- 1 Apparatet rengøres udvendigt med en fugtig klud.
Sørg for, at der ikke trænger vand ind i apparatet.
- 2 UV-filteret rengøres med en blød klud duppet med lidt husholdningsspirit.
- 3 Rengør beskyttelsesbrillerne med en fugtig klud.

Opbevaring

- 1 Tag stikket ud af stikkontakten.
- 2 Lad apparatet køle af i ca. 15 minutter, inden det stilles væk.
- 3 Rul ledningen op omkring oprulningsfunktionen bag på apparatet (fig. 4).

Udskiftning

Lampe

Lysen, som udsendes af UV-lamperne, aftager i styrke, som tiden går (ved normal brug efter et par år), og bruningseffekten bliver svagere. Man kan kompensere for dette ved enten at forlænge behandlingstiden lidt eller udskifte solarielampen.

Lad kun et autoriseret Philips-serviceværksted udskifte solarielampen, da kun de har den fornødne ekspertise og de originale reservedele til rådighed.

UV-filter

Brug aldrig apparatet, hvis UV-filteret er beskadiget, revnet eller helt mangler.

Få altid UV-filteret udskiftet med det samme, hvis det bliver beskadiget eller revnet. Lad kun et autoriseret Philips-serviceværksted udskifte UV-filteret, da kun de har den fornødne ekspertise og de originale reservedele til rådighed.

Beskyttelsesbriller

Ekstra eller nye briller, type HB071, kan bestilles under servicenr. 4822 690 80123.

Miljøhensyn

- Apparatet må ikke smides ud sammen med det almindelige husholdningsaffald, når det til sin tid kasseres. Aflever det i stedet på en kommunal genbrugsstation. På den måde er du med til at beskytte miljøet (fig. 5).
- Lampen i dette apparat indeholder stoffer, som kan forurene miljøet. Du må derfor ikke bortskaffe lampen sammen med det almindelige husholdningsaffald men istedet aflevere den på et officielt indsamlingssted.

Garanti og service

For alle yderligere oplysninger eller ved eventuelle problemer med apparatet henvises til Philips' hjemmeside på adressen www.philips.com eller det lokale Philips Kundecenter (telefonnumre findes i vedlagte folder "World-Wide Guarantee"). Hvis der ikke findes et kundecenter i dit land, bedes du kontakte din lokale Philips-forhandler eller Serviceafdelingen i Philips Domestic Appliances and Personal Care BV.

Gældende forbehold i garantien

Solarielampen er ikke omfattet af betingelserne i den internationale garanti.

Fejlfinding

I tilfælde af problemer med dette apparat, som du ikke selv kan løse ved hjælp af nedenstående oplysninger, bedes du kontakte din Philips-forhandler eller det lokale Philips Kundecenter:

Problem	Løsning
Solariet starter ikke.	Kontrollér, om stikket er sat rigtigt ind i stikkontakten. Der kan være strømafbrydelse. Kontrollér, om strømtilførslen er i orden, ved at tilslutte et andet apparat. Timeren er måske ikke indstillet. Indstil timeren til den korrekte behandlingstid.
	Lampen er muligvis stadig for varm til at blive tændt igen. Lad lampen køle af i 3 minutter, før du tænder den igen.
Utilfredsstillende bruningsresultat	Måske bruger du en forlængerledning, der er for lang eller ikke er til den rigtige spænding. Spørg din forhandler. Vi anbefaler, så vidt det er muligt, helt at undlade brug af forlængerledning.
	Måske følger du en behandlingsserie, der ikke passer til din hudtype. Se tabellen i afsnittet "UV-behandlinger: Hvor ofte og hvor længe?".

Problem

Løsning

Måske er afstanden mellem lampen og din krop større end anbefalet.

Når lampen har været brugt i lang tid, vil UV-effekten aftage. Dette sker først efter flere års brug. Problemet kan afhjælpes enten ved at forlænge behandlingstiden eller ved at få lampen udskiftet.

Einführung

Mit diesem Oberkörperbräuner in Luxusausführung können Sie Gesicht, Schultern und Dekolleté bräunen. Seine leistungsstarke Hochdruck-Lampe sorgt für ein schnelles und noch natürlicheres Bräunungsergebnis. Das Gerät ist mit einem Maßband und einem einstellbaren Timer ausgestattet.

Allgemeine Beschreibung (Abb. 1)

- A** Aufbewahrungshaken für die Schutzbrille
- B** Reflektor
- C** Bräunungslampe (Typ Philips HPA Flexpower 400 - 600)
- D** UV-Filter
- E** 2 Schutzbrillen (Typ HB 071, Servicenummer 4822 690 80123)
- F** Maßband
- G** Netzkabel mit Kabelaufwicklung
- H** Ventilator
- I** Timer
- J** Handgriff

Wichtig

Lesen Sie diese Bedienungsanleitung vor dem Gebrauch des Geräts aufmerksam durch, und bewahren Sie sie für eine spätere Verwendung auf.

- Prüfen Sie, bevor Sie das Gerät in Betrieb nehmen, ob die Spannungsangabe auf dem Gerät mit der örtlichen Netzspannung übereinstimmt.
- Ist das Netzkabel defekt, darf es nur von einem Philips Service-Center oder einer von Philips autorisierten Werkstatt durch ein Original-Ersatzkabel ausgetauscht werden, um Gefährdungen zu vermeiden.
- Wasser und Strom sind eine gefährliche Kombination! Benutzen Sie das Gerät nicht in feuchter Umgebung (z. B. im Badezimmer; in der Nähe einer Dusche oder eines Schwimmbeckens).
- Trocknen Sie sich gründlich ab, wenn Sie das Gerät nach dem Schwimmen oder Duschen benutzen möchten.
- Dieses Gerät ist für Benutzer mit eingeschränkten physischen, sensorischen oder psychischen Fähigkeiten bzw. ohne jegliche Erfahrung oder Vorwissen nur dann geeignet, wenn eine angemessene Aufsicht oder ausführliche Anleitung zur Benutzung des Geräts durch eine verantwortliche Person sichergestellt ist.
- Achten Sie darauf, dass Kinder nicht mit dem Gerät spielen.
- Ziehen Sie nach jedem Gebrauch den Netzstecker aus der Steckdose.
- Lassen Sie das Gerät ca. 15 Minuten lang abkühlen, bevor Sie es wegräumen.
- Die Lüftungsschlitze an der Rückseite des Geräts und im Griff dürfen während des Gebrauchs nicht verdeckt werden.
- Das Gerät hat einen automatischen Überhitzungsschutz. Wird es nicht ausreichend gekühlt (z. B. weil die Lüftungsschlitze abgedeckt sind), schaltet es sich automatisch aus. Sobald die Ursache der Überhitzung beseitigt und das Gerät abgekühlt ist, schaltet es sich automatisch wieder ein.
- Überschreiten Sie nicht die empfohlenen Bräunungszeiten und die maximale Anzahl von Bräunungsstunden (siehe Abschnitt "Das UV-Sonnenbad: Wie oft und wie lange?").
- Benutzen Sie das Gerät keinesfalls, wenn der UV-Filter beschädigt oder zerbrochen ist oder ganz fehlt, oder wenn die Zeitschaltuhr defekt ist.
- Halten Sie beim Bräunen einen Abstand von mindestens 60 cm zum Gerät ein.
- Bräunen Sie eine Körperpartie maximal einmal täglich. Vermeiden Sie es, sich am selben Tag übermäßig dem natürlichen Sonnenlicht auszusetzen.
- Das Bräunungsgerät darf bei Krankheit und/oder bei Einnahme von Medikamenten oder Anwendung von Kosmetika, die zu erhöhter UV-Empfindlichkeit der Haut führen, nicht benutzt

werden. Wenn Sie überempfindlich auf UV-Licht reagieren, ist besondere Vorsicht geboten. Konsultieren Sie im Zweifelsfall Ihren Arzt.

- Das Gerät darf nicht von Personen verwendet werden, die sich beim Sonnen einen Sonnenbrand zuziehen, ohne dabei zu bräunen, oder die bereits einen Sonnenbrand haben. Ebenso nicht von Kindern oder von Personen, die anfällig für Hautkrebs sind, daran erkrankt sind oder bereits daran erkrankt waren.
- Falls innerhalb von 48 Stunden nach dem ersten Bräunungsbad unvorhergesehene Reaktionen, wie z. B. Juckreiz, auftreten, sollten Sie das Gerät nicht benutzen und Ihren Arzt konsultieren.
- Konsultieren Sie Ihren Arzt, wenn sich hartnäckige Schwellungen oder Geschwüre auf der Haut zeigen oder wenn Veränderungen an pigmentierten Muttermalen auftreten.
- Tragen Sie beim Bräunen immer die mitgelieferte Schutzbrille, um Ihre Augen vor übermäßigem UV-Licht zu schützen (siehe auch Abschnitt "UV und Ihre Gesundheit").
- Entfernen Sie bereits einige Zeit vor dem Bräunungsbad Cremes, Lippenstift und andere Kosmetika von Ihrer Haut.
- Verwenden Sie keine Sonnenschutzmittel und keine Bräunungsbeschleuniger.
- Spannt Ihre Haut nach dem Bräunungsbad, können Sie eine Feuchtigkeitscreme auftragen.
- Verschiedene Materialien können sich, genau wie beim natürlichen Sonnenlicht, auch im Licht der UV-Lampen verfärben.
- Erwarten Sie vom Einsatz dieses Geräts keine besseren Ergebnisse als von natürlichem Sonnenlicht.

Elektromagnetische Felder (EMF; Electro Magnetic Fields)

Dieses Philips Gerät erfüllt sämtliche Normen bezüglich elektromagnetischer Felder (EMF). Nach aktuellen wissenschaftlichen Erkenntnissen ist das Gerät sicher im Gebrauch, sofern es ordnungsgemäß und entsprechend den Anweisungen in dieser Bedienungsanleitung gehandhabt wird.

Gesundes Bräunen

Die Sonne

Die Sonne liefert verschiedene Energiearten: das sichtbare Licht ermöglicht uns zu sehen, das ultraviolette (UV) bräunt unsere Haut und das infrarote (IR-)Licht spendet die Wärme, bei der wir uns wohl fühlen.

Oberkörperbräuner

Mit diesem Oberkörperbräuner können Sie bequem zu Hause sonnenbaden. Der integrierte Timer sorgt dafür, dass die maximale Bräunungsdauer von jeweils 60 Minuten nicht überschritten wird. Wie beim natürlichen Sonnenlicht muss eine übermäßige Bestrahlung vermieden werden (siehe auch Abschnitt "UV und Ihre Gesundheit").

UV und Ihre Gesundheit

Ebenso wie in natürlichem Sonnenlicht dauert der Bräunungsvorgang auch bei diesem Gerät eine gewisse Zeit. Erste Effekte werden erst nach mehreren Bräunungsbädern sichtbar (siehe Abschnitt "Das UV-Sonnenbad: Wie oft und wie lange?")

Wer sich zu lange dem ultravioletten Licht aussetzt - ob natürlichem Sonnenlicht oder den Strahlen eines Bräunungsgeräts - kann einen Sonnenbrand bekommen.

Neben vielen anderen Faktoren, etwa dem übermäßigen Kontakt mit natürlichem Sonnenlicht, kann der unsachgemäße und zu häufige Gebrauch eines Bräunungsgeräts das Risiko von Haut- und Augenproblemen erhöhen. Wie ausgeprägt sich solche Effekte zeigen, hängt einerseits von der Art, der Intensität und der Dosis der UV-Strahlen ab und andererseits von der Empfindlichkeit der betreffenden Person.

Je intensiver Haut und Augen dem UV-Licht ausgesetzt sind, desto höher ist die Gefahr von Horn- und Bindehautentzündung, Schäden an der Netzhaut, Grauem Star, vorzeitiger Hautalterung und Hauttumoren. Einige Medikamente und Kosmetika steigern die Hautempfindlichkeit.

Darum ist es sehr wichtig, dass Sie:

- die Anleitungen im Kapitel "Wichtig" und im Abschnitt "Das UV-Sonnenbad: Wie oft und wie lange?" beachten;
- die empfohlenen Bräunungszeiten und die maximale Anzahl von Bräunungsstunden nicht überschreiten (siehe Abschnitt "Das UV-Sonnenbad: Wie oft und wie lange?");
- während des Bräunungsbads immer die mitgelieferte Schutzbrille tragen;
- auf einen Bräunungsabstand (Abstand zwischen dem UV-Filter und Ihrem Körper) von mindestens 60 cm achten.

Das UV-Sonnenbad: Wie oft und wie lange?

- Nehmen Sie während einer 5- bis 10-tägigen Bräunungskur nicht mehr als ein Bräunungsbad pro Tag.
- Legen Sie zwischen dem ersten und dem zweiten Bräunungsbad eine Pause von mindestens 48 Stunden ein.
- Nach dieser 5- bis 10-tägigen Bräunungskur empfehlen wir Ihnen, einige Zeit mit dem Bräunen auszusetzen.
- Etwa einen Monat nach Abschluss der Bräunungskur hat Ihre Haut soviel von ihrer Bräune verloren, dass Sie eine neue Bräunungskur beginnen können.
- Sie können aber auch im Anschluss an die Bräunungskur wöchentlich 1 oder 2 Bräunungsbäder nehmen, um die Bräunung aufrecht zu erhalten.
- Ob Sie eine Pause einlegen oder in größeren Abständen die Bräunung fortsetzen: Sie sollten stets darauf achten, die maximale Anzahl an Bräunungsstunden nicht zu überschreiten.
- Bei diesem Gerät gilt eine maximale Bräunungszeit von 20 Stunden (1200 Minuten) pro Jahr.

Beispiel

Angenommen, Sie führen eine Bräunungskur von 10 Tagen durch, die am ersten Tag mit 8 Minuten beginnt und an den folgenden 9 Tagen mit jeweils 20 Minuten fortgeführt wird.

Die gesamte Kur dauert dann (1 x 8 Minuten) + (9 x 20 Minuten) = 188 Minuten.

Im Laufe eines Jahres können Sie also 6 solcher Bräunungskuren durchführen (6 x 188 Minuten = 1128 Minuten).

- Selbstverständlich gilt die maximale Anzahl von Bräunungsstunden jeweils für eine Körperpartie (z. B. den Rücken oder die Vorderseite des Körpers).

Aus der Tabelle ist ersichtlich, dass jede neue Bräunungskur, unabhängig von der persönlichen Hautempfindlichkeit, mit einem ersten Bräunungsbad von 8 Minuten beginnen sollte.

Bräunungszeit für jede Körperseite bzw. einzelne Körperpartien	Bei sehr empfindlicher Haut	Bei normaler Haut	Bei wenig empfindlicher Haut
1. Tag	8 Minuten	8 Minuten	8 Minuten
Mindestens 48 Stunden Pause	Mindestens 48 Stunden Pause	Mindestens 48 Stunden Pause	Mindestens 48 Stunden Pause
2. Tag	10 - 15 Minuten	20 Minuten	25 - 30 Minuten*
3. Tag	10 - 15 Minuten	20 Minuten	25 - 30 Minuten*
4. Tag	10 - 15 Minuten	20 Minuten	25 - 30 Minuten*
5. Tag	10 - 15 Minuten	20 Minuten	25 - 30 Minuten*
6. Tag	10 - 15 Minuten	20 Minuten	25 - 30 Minuten*
7. Tag	10 - 15 Minuten	20 Minuten	25 - 30 Minuten*
8. Tag	10 - 15 Minuten	20 Minuten	25 - 30 Minuten*

Bräunungszeit für jede Körperseite bzw. einzelne Körperpartien	Bei sehr empfindlicher Haut	Bei normaler Haut	Bei wenig empfindlicher Haut
9.Tag	10 - 15 Minuten	20 Minuten	25 - 30 Minuten*
10.Tag	10 - 15 Minuten	20 Minuten	25 - 30 Minuten*

* Oder länger; je nach Hautempfindlichkeit.

Wenn Sie die Bräunungsbäder als zu lang empfinden, z. B. weil anschließend Ihre Haut spannt oder empfindlich ist, sollten Sie die Dauer (z. B. um 5 Minuten) reduzieren.

Eine gleichmäßig schöne Bräune erhalten Sie, indem Sie Gesicht und Körper von Zeit zu Zeit nach links und rechts drehen, damit das UV-Licht die Gesichts- und Körperseiten gleichmäßig bräunen kann.

Wenn Ihre Haut nach dem Bräunungsbad etwas spannt, können Sie eine Feuchtigkeitscreme auftragen.

Das Gerät benutzen

- 1** Stellen Sie das Gerät auf eine stabile und ebene Fläche.
- 2** Wickeln Sie das Netzkabel vollständig ab.
- 3** Stecken Sie den Stecker in die Steckdose.
- 4** Setzen Sie sich vor das Gerät.
- 5** Setzen Sie die mitgelieferte Schutzbrille auf.
 - Tragen Sie diese Schutzbrille nur zum Bräunen mit einem Philips-Bräunungsgerät und nicht für andere Zwecke.
 - Die Schutzbrille erfüllt die Anforderungen der Schutzklasse II entsprechend der Richtlinie 89/686/EEC.
- 6** Überprüfen Sie den Abstand zwischen Ihrem Körper und dem Bräunungsgerät.
 - Während des Bräunungsbads muss der Abstand zwischen dem UV-Filter und der zu bräunenden Körperpartie mindestens 60 cm betragen. (Abb. 2)
 - Überprüfen Sie den Abstand mithilfe des integrierten Maßbands.
- 7** Schalten Sie das Gerät ein, indem Sie den Timer auf die gewünschte Bräunungsdauer einstellen (Abb. 3).

Hinweis: Angaben über die empfohlenen Bräunungszeiten finden Sie im Abschnitt "Das UV-Sonnenbad: Wie oft und wie lange?"

- 1** Nach Ablauf der eingestellten Zeit schaltet sich das Gerät automatisch aus.
 - Wenn Sie Ihr Bräunungsbad verlängern oder nacheinander verschiedene Körperpartien bräunen möchten, können Sie vor Ablauf der eingestellten Zeit eine neue Bräunungszeit einstellen.
 - Indem Sie den Timer vor Ablauf der eingestellten Zeit neu einstellen, umgehen Sie die Wartezeit von 3 Minuten, die nach dem Abschalten zum Abkühlen der Lampen erforderlich ist.

- 8** Ziehen Sie nach jedem Gebrauch den Netzstecker aus der Steckdose.

Tipp: Notieren Sie die Anzahl der bisher stattgefundenen Bräunungssitzungen.

Reinigung

Ziehen Sie vor dem Reinigen stets den Netzstecker aus der Steckdose, und lassen Sie das Gerät abkühlen.

Benutzen Sie zum Reinigen des Geräts keine Scheuerschwämme und -mittel oder aggressive Flüssigkeiten wie Benzin oder Azeton.

1 Reinigen Sie die Außenseiten des Geräts mit einem feuchten Tuch.

Achten Sie darauf, dass kein Wasser in das Gerät gelangt.

2 Reinigen Sie den UV-Filter mit einem feuchten Tuch und etwas Brennspiritus.

3 Reinigen Sie die Schutzbrille mit einem feuchten Tuch.

Aufbewahrung

1 Ziehen Sie den Netzstecker aus der Steckdose.

2 Lassen Sie das Gerät 15 Minuten lang abkühlen, bevor Sie es wegräumen.

3 Wickeln Sie das Kabel um die Kabelaufwicklung an der Rückseite des Geräts (Abb. 4).

Ersatz

Lampe

Die Lichtintensität der UV-Lampe nimmt im Laufe der Zeit ab (bei normalem Gebrauch erst nach einigen Jahren). Sie bemerken dies an der nachlassenden Bräunungsleistung. Verlängern Sie dann die Bräunungszeit geringfügig, oder lassen Sie die UV-Lampe austauschen.

Die UV-Lampe darf nur durch eine von Philips autorisierte Werkstatt ausgetauscht werden. Nur dann ist sichergestellt, dass diese Arbeiten fachgerecht und mit Original-Ersatzteilen ausgeführt werden.

UV-Filter

Benutzen Sie dieses Gerät keinesfalls, wenn der UV-Filter beschädigt oder zerbrochen ist oder ganz fehlt.

Lassen Sie den UV-Filter sofort austauschen, wenn er beschädigt oder zerbrochen ist. Der UV-Filter darf nur durch eine von Philips autorisierte Werkstatt ausgetauscht werden. Nur dann ist sichergestellt, dass diese Arbeiten fachgerecht und mit Original-Ersatzteilen ausgeführt werden.

Schutzbrille

Ersatzbrillen (Typ HB071) sind unter der Bestellnummer 4822 690 80123 erhältlich.

Umweltschutz

- Werfen Sie das Gerät am Ende der Lebensdauer nicht in den normalen Hausmüll. Bringen Sie es zum Recycling zu einer offiziellen Sammelstelle. Auf diese Weise helfen Sie, die Umwelt zu schonen (Abb. 5).
- Die in diesem Gerät installierte Lampe enthält Substanzen, die die Umwelt gefährden können. Werfen Sie die Lampe deshalb nicht in den Hausmüll, sondern entsorgen Sie sie bei einer offiziellen Sammelstelle.

Garantie und Kundendienst

Benötigen Sie weitere Informationen oder treten Probleme auf, wenden Sie sich bitte an Ihren Philips-Händler oder setzen Sie sich mit einem Philips Service-Center in Ihrem Land in Verbindung (Telefonnummer siehe Garantieschrift). Besuchen Sie auch die Philips Website (www.philips.com). Sie können auch direkt die Service-Abteilung von Philips Domestic Appliances and Personal Care BV kontaktieren.

Garantieeinschränkungen

Die internationalen Garantiebedingungen erstrecken sich nicht auf die UV-Lampe.

Fehlerbehebung

Sollten Probleme auftauchen, die sich mithilfe der nachstehenden Informationen nicht beheben lassen, setzen Sie sich bitte mit dem Philips Service Center in Ihrem Land in Verbindung.

Problem	Lösung
Das Gerät startet nicht.	Prüfen Sie, ob der Netzstecker fest in der Steckdose steckt.
	Möglicherweise liegt ein Stromausfall vor. Prüfen Sie mit einem anderen Gerät, ob die Stromversorgung intakt ist.
	Möglicherweise haben Sie den Timer nicht eingestellt. Stellen Sie ihn auf die gewünschte Bräunungszeit ein.
Die Bräunung entspricht nicht der Erwartung.	Möglicherweise ist die Lampe noch zu heiß, um wieder anzulaufen. Lassen Sie sie mindestens 3 Minuten lang abkühlen, bevor Sie das Gerät wieder einschalten.
	Möglicherweise benutzen Sie ein Verlängerungskabel, das zu lang oder nicht richtig bemessen ist. Fragen Sie hierzu Ihren Händler. Wir empfehlen generell, kein Verlängerungskabel zu verwenden.
	Möglicherweise ist die von Ihnen gewählte Bräunungskur für Ihren Hauttyp nicht geeignet. Sehen Sie in der Tabelle im Abschnitt "Das UV-Sonnenbad: Wie oft und wie lange?" nach.
	Möglicherweise ist der Abstand zwischen den UV-Lampen und Ihrem Körper größer als empfohlen.
	Nach langer Gebrauchsdauer lässt die Bräunungsleistung der Lampe nach. Dies macht sich jedoch erst nach mehreren Jahren bemerkbar. Sie können zur Behebung des Problems entweder eine etwas längere Bräunungsdauer wählen oder die Lampe austauschen lassen.

Εισαγωγή

Με αυτήν την πολυτελή συσκευή μαυρίσματος μπορείτε να μαυρίσετε στο πρόσωπο, τους ώμους και το ντεκολτέ. Διαθέτει ισχυρή λάμπα υψηλής πίεσης για γρήγορα και πιο φυσικά αποτελέσματα. Η συσκευή διαθέτει ταινία μέτρησης και ρυθμιζόμενο χρονοδιακόπτη.

Γενική περιγραφή (Εικ. 1)

- A** Γατζάκι αποθήκευσης για γυαλιά
- B** Ανακλαστήρας
- C** Λάμπα μαυρίσματος (τύπος Philips HPA flexpower 400-600)
- D** Φίλτρο UV
- E** Προστατευτικά γυαλιά (2 ζευγάρια) (τύπος HB071/αρ. σέρβις 4822 690 80123)
- F** Ταινία μέτρησης
- G** Καλώδιο με χώρο περιτύλιξης καλωδίου
- H** Ανεμιστήρας
- I** Χρονοδιακόπτης
- J** Λαβή

Σημαντικό

Διαβάστε αυτό το εγχειρίδιο χρήσης προσεκτικά πριν χρησιμοποιήσετε τη συσκευή και φυλάξτε το για μελλοντική αναφορά.

- Ελέγξτε αν η τάση που αναγράφεται στη συσκευή αντιστοιχεί στην τοπική τάση ρεύματος προτού συνδέσετε τη συσκευή.
- Αν το καλώδιο υποστεί φθορά, θα πρέπει να αντικατασταθεί από ένα κέντρο σέρβις εξουσιοδοτημένο από τη Philips ή από εξίσου εξειδικευμένα άτομα προς αποφυγή κινδύνου.
- Το νερό και ο ηλεκτρισμός αποτελούν επικίνδυνο συνδυασμό. Μη χρησιμοποιείτε τη συσκευή σε υγρό περιβάλλον (π.χ. στο μπάνιο ή κοντά σε ντους ή πισίνα).
- Εάν έχετε μόλις κολυμπήσει ή βγει από το ντους, φροντίστε να στεγνώσετε καλά προτού χρησιμοποιήσετε τη συσκευή.
- Αυτή η συσκευή δεν προορίζεται για χρήση από άτομα με περιορισμένες σωματικές, αισθητήριες ή διανοητικές ικανότητες ή από άτομα χωρίς εμπειρία και γνώση, εκτός και εάν τη χρησιμοποιούν υπό επιτήρηση ή έχουν λάβει οδηγίες σχετικά με τη χρήση της συσκευής από άτομο υπεύθυνο για την ασφάλειά τους.
- Τα παιδιά θα πρέπει να επιβλέπονται προκειμένου να διασφαλιστεί ότι δεν θα παίζουν με τη συσκευή.
- Αποσυνδέετε πάντα τη συσκευή από την πρίζα μετά από κάθε χρήση.
- Αφήστε τη συσκευή να κρυώσει για περίπου 15 λεπτά πριν την αποθηκεύσετε.
- Βεβαιωθείτε ότι οι οπές εξαερισμού στο πίσω μέρος της συσκευής και στη λαβή παραμένουν ανοιχτές κατά τη χρήση.
- Η συσκευή είναι εφοδιασμένη με σύστημα αυτόματης προστασίας κατά της υπερθέρμανσης. Εάν η συσκευή δεν ψύχεται επαρκώς (π.χ. λόγω καλυμμένων οπών εξαερισμού), τότε απενεργοποιείται αυτόματα. Όταν αποκατασταθεί η αιτία της υπερθέρμανσης και η συσκευή κρυώσει, θα ενεργοποιηθεί πάλι αυτόματα.
- Μην υπερβαίνετε τον συνιστώμενο χρόνο μαυρίσματος και τον μέγιστο αριθμό ωρών μαυρίσματος (δείτε την ενότητα 'Συνεδρίες μαυρίσματος: συχνότητα και διάρκεια').
- Μην χρησιμοποιείτε ποτέ τη συσκευή όταν το φίλτρο UV έχει φθαρεί, σπάσει ή δεν είναι στη θέση του ή όταν ο χρονοδιακόπτης είναι ελαττωματικός.
- Μην επιλέγετε απόσταση μαυρίσματος μικρότερη από 60 εκ.
- Μην χρησιμοποιείτε τη συσκευή σε ένα συγκεκριμένο σημείο του σώματός σας περισσότερες από μία φορές την ημέρα. Αποφύγετε την υπερβολική έκθεση στο φυσικό ηλιακό φως την ίδια μέρα.

- Μην χρησιμοποιείτε τη συσκευή μαυρίσματος εάν έχετε κάποια πάθηση ή/και χρησιμοποιείτε φάρμακα ή καλλυντικά που αυξάνουν την ευαισθησία του δέρματός σας στην υπεριώδη ακτινοβολία. Να είστε ιδιαίτερα προσεκτικοί εάν έχετε υπερευαίσθησία στην υπεριώδη ακτινοβολία. Συμβουλευτείτε το γιατρό σας σε περίπτωση που έχετε αμφιβολίες.
- Η συσκευή δεν πρέπει να χρησιμοποιείται από άτομα που παθαίνουν εγκαύματα χωρίς να μαυρίζουν όταν εκτίθενται στον ήλιο, από άτομα που έχουν υποστεί έγκαυμα, από παιδιά, ή από άτομα που νοσούν (ή έχουν νοσήσει στο παρελθόν) από καρκίνο του δέρματος ή που έχουν προδιάθεση για ανάπτυξη καρκίνου του δέρματος.
- Εάν παρουσιαστούν μη αναμενόμενες αντιδράσεις, π.χ. κνησμός, εντός 48 ωρών μετά την πρώτη συνεδρία, διακόψτε τη χρήση της συσκευής μαυρίσματος και συμβουλευτείτε το γιατρό σας.
- Συμβουλευτείτε το γιατρό σας εάν εμφανιστούν στο δέρμα σας επίμονα εξογκώματα ή πληγές, ή εάν υπάρξουν μεταβολές σε χρωματιστές κρεατοελιές.
- Να φοράτε πάντα τα προστατευτικά γυαλιά, που διατίθενται με τη συσκευή, κατά τη διάρκεια του μαυρίσματος για να προστατέψετε τα μάτια σας από την υπερέκθεση (δείτε επίσης την ενότητα 'Η υπεριώδης ακτινοβολία και η υγεία σας').
- Αφαιρέστε τις κρέμες, το κραγιόν και άλλα καλλυντικά αρκετά νωρίτερα από τη συνεδρία μαυρίσματος.
- Μην χρησιμοποιείτε αντιηλιακά ή επιταχυντές μαυρίσματος.
- Εάν αισθάνεστε το δέρμα σας να τραβάει μετά τη συνεδρία μαυρίσματος, μπορείτε να το επалаίψετε με ενυδατική κρέμα.
- Τα χρώματα ενδέχεται να ξεθωριάζουν υπό την επίδραση του ήλιου. Το ίδιο αποτέλεσμα ενδέχεται να προκύψει όταν χρησιμοποιείτε αυτή τη συσκευή.
- Μην περιμένετε η συσκευή να αποφέρει καλύτερα αποτελέσματα από το φυσικό μαύρισμα στον ήλιο.

Ηλεκτρομαγνητικά Πεδία (EMF)

Η συγκεκριμένη συσκευή της Philips συμμορφώνεται με όλα τα πρότυπα που αφορούν τα ηλεκτρομαγνητικά πεδία (EMF). Εάν γίνει σωστός χειρισμός και σύμφωνα με τις οδηγίες του παρόντος εγχειριδίου χρήσης, η συσκευή είναι ασφαλής στη χρήση βάσει των επιστημονικών αποδείξεων που είναι διαθέσιμες μέχρι σήμερα.

Το μαύρισμα και η υγεία σας

Ο ήλιος

Ο ήλιος παρέχει διάφορους τύπους ενέργειας. Το ορατό φως μας δίνει τη δυνατότητα να βλέπουμε, η υπεριώδης (UV) ακτινοβολία μας χαρίζει μαύρισμα και η υπέρυθη (IR) ακτινοβολία στις ηλιαχτίδες παρέχει τη θερμότητα την οποία απολαμβάνουμε κατά την ηλιοθεραπεία.

Συσκευή μαυρίσματος για πρόσωπο, ώμους και ντεκολτέ

Με αυτή τη συσκευή μαυρίσματος μπορείτε να μαυρίσετε άνετα στο σπίτι σας. Ο χρονοδιακόπτης διασφαλίζει ότι η διάρκεια της κάθε συνεδρίας δεν θα υπερβαίνει τα 60 λεπτά. Όπως και με το φυσικό ηλιακό φως, πρέπει να αποφεύγετε την υπερέκθεση (δείτε την ενότητα 'Η υπεριώδης ακτινοβολία και η υγεία σας').

Η υπεριώδης ακτινοβολία και η υγεία σας

Όπως και με το φυσικό ηλιακό φως, η διαδικασία μαυρίσματος χρειάζεται κάποιο χρόνο. Το πρώτο αποτέλεσμα είναι εμφανές μόνο μετά από κάποιες συνεδρίες (δείτε την ενότητα 'Συνεδρίες μαυρίσματος: συχνότητα και διάρκεια'). Η υπερέκθεση στην υπεριώδη ακτινοβολία (φυσικό ηλιακό φως ή τεχνητό φως από τη συσκευή μαυρίσματος) μπορεί να προκαλέσει εγκαύματα.

Εκτός πολλών άλλων παραγόντων, όπως η υπερέκθεση στο φυσικό ηλιακό φως, η λανθασμένη και υπερβολική χρήση μιας συσκευής μαυρίσματος μπορεί να αυξήσει τον κίνδυνο πρόκλησης προβλημάτων στο δέρμα και τα μάτια. Ο βαθμός στον οποίο παρουσιάζονται τέτοιες αντιδράσεις καθορίζεται από τη φύση, την ένταση και τη διάρκεια της έκθεσης από τη μια και την ευαισθησία του εμπλεκόμενου ατόμου από την άλλη.

Όσο περισσότερο εκτίθενται το δέρμα και τα μάτια στην υπεριώδη ακτινοβολία, τόσο υψηλότερος θα είναι ο κίνδυνος κερατιτίδας, επιπεφυκίτιδας, βλαβών του αμφιβληστροειδούς, καταρράκτη, πρόωρης γήρανσης του δέρματος και ανάπτυξης νεοπλασιών του δέρματος.

Ορισμένα φάρμακα και καλλυντικά αυξάνουν την ευαισθησία του δέρματος.

Για αυτό το λόγο είναι πολύ σημαντικό:

- να ακολουθείτε τις οδηγίες που θα βρείτε στο κεφάλαιο 'Σημαντικό' και την ενότητα 'Συνεδρίες μαυρίσματος: συχνότητα και διάρκεια',
- να μην υπερβαίνετε τον μέγιστο αριθμό ωρών μαυρίσματος σε επήσια βάση (δείτε την ενότητα 'Συνεδρίες μαυρίσματος: συχνότητα και διάρκεια'),
- να φοράτε πάντα τα προστατευτικά γυαλιά που διατίθενται κατά τη διάρκεια του μαυρίσματος,
- η απόσταση μαυρίσματος (απόσταση ανάμεσα στο φίλτρο UV και το σώμα σας) να είναι τουλάχιστον 60 εκ.

Συνεδρίες μαυρίσματος: συχνότητα και διάρκεια

- Μην κάνετε περισσότερες από μία συνεδρίες μαυρίσματος την ημέρα, για μια περίοδο πέντε έως δέκα ημερών.
- Κάντε ένα διάλειμμα τουλάχιστον 48 ωρών ανάμεσα στην πρώτη και τη δεύτερη συνεδρία.
- Μετά από αυτή τη σειρά συνεδριών 5 έως 10 ημερών, σας συμβουλεύουμε να σταματήσετε το μαύρισμα για λίγο.
- Περίπου ένα μήνα μετά από μια σειρά συνεδριών, το δέρμα σας θα έχει χάσει αρκετό από το μαύρισμά του. Τότε μπορείτε να ξεκινήσετε νέα σειρά συνεδριών μαυρίσματος.
- Εάν θέλετε να διατηρήσετε το μαύρισμά σας, μη διακόψετε τη χρήση της συσκευής μετά από μια σειρά συνεδριών, αλλά συνεχίστε με μία ή δύο συνεδρίες μαυρίσματος την εβδομάδα.
- Είτε επιλέξετε να σταματήσετε το μαύρισμα για λίγο είτε να το συνεχίσετε σε μικρότερη συχνότητα, μην ξεχνάτε ποτέ ότι δεν πρέπει να υπερβαίνετε το μέγιστο αριθμό ωρών μαυρίσματος.
- Για αυτή τη συσκευή, ο μέγιστος αριθμός είναι 20 ώρες μαυρίσματος (= 1200 λεπτά) το χρόνο.

Παράδειγμα

Υποθέστε ότι κάνετε μια σειρά συνεδριών μαυρίσματος 10 ημερών, με διάρκεια 8 λεπτών την πρώτη ημέρα και 20 λεπτών τις εννέα επόμενες ημέρες.

Σε αυτή την περίπτωση ολόκληρη η σειρά συνεδριών διαρκεί $(1 \times 8 \text{ λεπτά}) + (9 \times 20 \text{ λεπτά}) = 188 \text{ λεπτά}$.

Σε ένα χρόνο μπορείτε να κάνετε 6 τέτοιες σειρές συνεδριών, καθώς $6 \times 188 \text{ λεπτά} = 1128 \text{ λεπτά}$.

- Φυσικά, ο μέγιστος αριθμός ωρών μαυρίσματος ισχύει για κάθε ξεχωριστό μέρος του σώματος που μαυρίζετε (π.χ. το πίσω και το μπροστινό μέρος του σώματος).

Όπως φαίνεται στον πίνακα, η πρώτη συνεδρία μιας σειράς συνεδριών μαυρίσματος θα πρέπει πάντα να διαρκεί 8 λεπτά, ανεξάρτητα από την ευαισθησία του δέρματος.

Διάρκεια της συνεδρίας μαυρίσματος για κάθε μέρος του σώματος	για άτομα με πολύ ευαίσθητο δέρμα	για άτομα με κανονικής ευαισθησίας δέρμα	για άτομα με λιγότερο ευαίσθητο δέρμα
1η συνεδρία	8 λεπτά	8 λεπτά	8 λεπτά
διακοπή τουλάχιστον 48 ωρών	διακοπή τουλάχιστον 48 ωρών	διακοπή τουλάχιστον 48 ωρών	διακοπή τουλάχιστον 48 ωρών
2η συνεδρία	10-15 λεπτά	20 λεπτά	25-30 λεπτά*
3η συνεδρία	10-15 λεπτά	20 λεπτά	25-30 λεπτά*
4η συνεδρία	10-15 λεπτά	20 λεπτά	25-30 λεπτά*
5η συνεδρία	10-15 λεπτά	20 λεπτά	25-30 λεπτά*
6η συνεδρία	10-15 λεπτά	20 λεπτά	25-30 λεπτά*
7η συνεδρία	10-15 λεπτά	20 λεπτά	25-30 λεπτά*
8η συνεδρία	10-15 λεπτά	20 λεπτά	25-30 λεπτά*
9η συνεδρία	10-15 λεπτά	20 λεπτά	25-30 λεπτά*
10η συνεδρία	10-15 λεπτά	20 λεπτά	25-30 λεπτά*

*Η περισσότερο, ανάλογα με την ευαισθησία του δέρματος σας.

Εάν νομίζετε ότι οι συνεδρίες έχουν πολύ μεγάλη διάρκεια για σας (π.χ. επειδή αισθάνεστε το δέρμα σας ευαίσθητο και να τραβάει μετά τη συνεδρία), σας συνιστούμε να μειώσετε τη διάρκεια των συνεδριών π.χ. κατά 5 λεπτά.

Για όμορφο, ομοιόμορφο μαύρισμα, να γυρίζετε το πρόσωπο και το σώμα σας προς τα αριστερά και προς τα δεξιά ανά διαστήματα για να εξασφαλίσετε ότι κάθε πλευρά του προσώπου και του σώματος εκτίθεται το ίδιο.

Εάν αισθάνεστε το δέρμα σας να τραβάει μετά τη συνεδρία μαυρίσματος, μπορείτε να το επαλείψετε με ενυδατική κρέμα.

Χρήση της συσκευής

- 1** Τοποθετήστε τη συσκευή σε στερεή, επίπεδη και σταθερή επιφάνεια.
- 2** Ξετυλίξτε εντελώς το καλώδιο.
- 3** Συνδέστε το φως στην πρίζα.
- 4** Σταθείτε μπροστά από τη συσκευή.
- 5** Φορέστε τα παρεχόμενα προστατευτικά γυαλιά.
 - Χρησιμοποιείτε αυτά τα προστατευτικά γυαλιά μόνο όταν μαυρίζετε σε συσκευή μαυρίσματος της Philips. Μην τα χρησιμοποιείτε για άλλους σκοπούς.
 - Τα προστατευτικά γυαλιά συμμορφώνονται με την κλάση προστασίας II σύμφωνα με την οδηγία 89/686/ΕΟΚ.
- 6** Ελέγξτε την απόσταση ανάμεσα στο σώμα σας και τη συσκευή μαυρίσματος.
 - Κατά τη διάρκεια του μαυρίσματος, η απόσταση ανάμεσα στο φίλτρο UV και το σημείο του σώματος που θέλετε να μαυρίσει πρέπει να είναι τουλάχιστον 60 εκ. (Εικ. 2)
 - Χρησιμοποιήστε την ταινία μέτρησης για να ελέγξετε την απόσταση.
- 7** Ενεργοποιήστε τη συσκευή ρυθμίζοντας το χρονοδιακόπτη στον επιθυμητό χρόνο μαυρίσματος (Εικ. 3).

Σημείωση: Για τους κατάλληλους χρόνους μαυρίσματος, ανατρέξτε στην ενότητα 'Συνεδρίες μαυρίσματος: συχνότητα και διάρκεια'

- ▶ Όταν παρέλθει ο καθορισμένος χρόνος, ο χρονοδιακόπτης απενεργοποιεί αυτόματα τη συσκευή.
 - Εάν θέλετε να μαυρίσετε περισσότερα σημεία του σώματος διαδοχικά, μπορείτε να ρυθμίσετε καινούριο χρόνο πριν παρέλθει ο καθορισμένος.
 - Ρυθμίζοντας ξανά το χρονοδιακόπτη προτού παρέλθει ο καθορισμένος χρόνος, αποφεύγετε την τρίλεπτη αναμονή που είναι απαραίτητη για να κρυώσει η λάμπα μαυρίσματος.

8 Αποσυνδέετε πάντα τη συσκευή από την πρίζα μετά από κάθε χρήση.

Συμβουλή: Σημειώνετε σε ένα χαρτί το συνολικό αριθμό των συνεδριών που έχετε κάνει.

Καθαρισμός

Αποσυνδέετε πάντα τη συσκευή από την πρίζα και αφήνετέ την να κρυώσει προτού την καθαρίσετε.

Μην χρησιμοποιείτε ποτέ συρμάτινα σφουγγαράκια, σκληρά καθαριστικά ή υγρά με μεγάλη οξύτητα, όπως είναι το πετρέλαιο και το ασετόν για τον καθαρισμό της συσκευής.

1 Καθαρίστε το εξωτερικό μέρος της συσκευής με υγρό πανί.

Αποφύγετε την είσοδο νερού στο εσωτερικό της συσκευής.

2 Καθαρίζετε το φίλτρο UV με ένα μαλακό πανί ραντισμένο με λίγο φωτιστικό οινόπνευμα.

3 Καθαρίστε τα προστατευτικά γυαλιά με υγρό πανί.

Αποθήκευση

1 Αποσυνδέστε τη συσκευή από την πρίζα.

2 Αφήστε τη συσκευή να κρυώσει για 15 λεπτά πριν την αποθηκεύσετε.

3 Τυλίξτε το καλώδιο γύρω από το χώρο περιτύλιξης καλωδίου στο πίσω μέρος της συσκευής (Εικ. 4).

Αντικατάσταση

Λάμπα

Το φως που εκπέμπει η λάμπα μαυρίσματος μειώνεται ως προς την ένταση με την πάροδο του χρόνου (π.χ. μετά από μερικά χρόνια σε περίπτωση κανονικής χρήσης). Όταν συμβεί αυτό, παρατηρείται μια μείωση της δυνατότητας μαυρίσματος της συσκευής. Μπορείτε να επιλύσετε αυτό το πρόβλημα ρυθμίζοντας λίγο μεγαλύτερο χρόνο μαυρίσματος ή αντικαθιστώντας τη λάμπα μαυρίσματος.

Η λάμπα μαυρίσματος θα πρέπει να αντικαθίστανται πάντα από ένα κέντρο σέρβις εξουσιοδοτημένο από τη Philips. Εκεί το προσωπικό διαθέτει τη γνώση και τις δεξιότητες που απαιτούνται για αυτή την εργασία, καθώς και τα γνήσια ανταλλακτικά για τη συσκευή.

Φίλτρο UV

Μην χρησιμοποιείτε ποτέ αυτή τη συσκευή όταν το φίλτρο UV έχει φθαρεί, σπάσει ή δεν είναι στη θέση του.

Το φίλτρο UV θα πρέπει να αντικατασταθεί αμέσως αν φθαρεί ή σπάσει.

Το φίλτρο UV θα πρέπει να αντικαθίστανται πάντα από ένα κέντρο σέρβις εξουσιοδοτημένο από τη Philips. Εκεί το προσωπικό διαθέτει τη γνώση και τις δεξιότητες που απαιτούνται για αυτή την εργασία, καθώς και τα γνήσια ανταλλακτικά για τη συσκευή.

Προστατευτικά γυαλιά

Μπορείτε να παραγγείλετε πρόσθετα ή ανταλλακτικά γυαλιά, τύπος HB071, υπό τον αριθμό σέρβις 4822 690 80123.

Περιβάλλον

- Στο τέλος της ζωής της συσκευής μην την πετάξετε μαζί με τα συνηθισμένα απορρίματα του σπιτιού σας, αλλά παραδώστε τη σε ένα επίσημο σημείο συλλογής για ανακύκλωση. Με αυτόν τον τρόπο, θα βοηθήσετε στην προστασία του περιβάλλοντος (Εικ. 5).
- Η λάμπα αυτής της συσκευής περιέχει ουσίες που ενδέχεται να μολύνουν το περιβάλλον. Μην απορρίψετε τη λάμπα μαζί με τα συνηθισμένα απορρίματα του σπιτιού σας, αλλά σε ένα επίσημο σημείο συλλογής.

Εγγύηση και σέρβις

Εάν χρειάζεστε κάποιες πληροφορίες ή αντιμετωπίζετε κάποιο πρόβλημα, παρακαλούμε επισκεφτείτε την ιστοσελίδα της Philips στη διεύθυνση www.philips.com ή επικοινωνήστε με το Τμήμα Εξυπηρέτησης Πελατών της Philips στη χώρα σας (θα βρείτε το τηλέφωνο στο διεθνές φυλλάδιο εγγύησης). Εάν δεν υπάρχει Τμήμα Εξυπηρέτησης Πελατών στη χώρα σας, απευθυνθείτε στον τοπικό αντιπρόσωπό σας της Philips ή επικοινωνήστε με ένα εξουσιοδοτημένο κέντρο σέρβις των Οικιακών Συσκευών και Ειδών Προσωπικής Φροντίδας της Philips.

Περιορισμοί εγγύησης

Η λάμπα μαυρίσματος δεν καλύπτεται από τους όρους της διεθνούς εγγύησης.

Οδηγός ανεύρεσης βλαβών

Αν παρουσιαστούν προβλήματα με τη συσκευή και δεν μπορείτε να τα επιλύσετε με τη βοήθεια των παρακάτω πληροφοριών, παρακαλούμε επικοινωνήστε με το πλησιέστερο εξουσιοδοτημένο κέντρο σέρβις της Philips ή με το Τμήμα Εξυπηρέτησης Πελατών της Philips στη χώρα σας.

Πρόβλημα	Λύση
Η συσκευή δεν ενεργοποιείται.	Βεβαιωθείτε ότι το φις έχει συνδεθεί σωστά στην πρίζα. Ενδέχεται να υπάρχει διακοπή ρεύματος. Ελέγξτε εάν υπάρχει παροχή ρεύματος συνδέοντας κάποια άλλη συσκευή. Ενδέχεται να μην έχετε ρυθμίσει το χρονοδιακόπτη. Ρυθμίστε το χρονοδιακόπτη στον κατάλληλο χρόνο μαυρίσματος.
Μη ικανοποιητικά αποτελέσματα στο μαύρισμα	Ενδέχεται η λάμπα να είναι ακόμα πολύ ζεστή για να επαναλειτουργήσει η συσκευή. Αφήστε τη λάμπα να κρυώσει για 3 λεπτά προτού ενεργοποιήσετε ξανά τη συσκευή. Ίσως χρησιμοποιείτε καλώδιο επέκτασης που έχει πολύ μεγάλο μήκος ή δεν έχει το σωστό ονομαστικό ρεύμα. Συμβουλευτείτε τον αντιπρόσωπο σας. Ως γενική σύσταση σας συμβουλεύουμε να αποφεύγετε τη χρήση καλωδίων επέκτασης. Ενδέχεται να ακολουθείτε μια σειρά συνεδριών μαυρίσματος που δεν είναι κατάλληλη για τον τύπο του δέρματός σας. Δείτε τον πίνακα στην ενότητα 'Συνεδρίες μαυρίσματος: συχνότητα και διάρκεια'.

Πρόβλημα

Λύση

Ενδέχεται η απόσταση ανάμεσα στη λάμπα και το σώμα σας να είναι μεγαλύτερη από την καθορισμένη.

Όταν έχετε χρησιμοποιήσει τη λάμπα για μεγάλο χρονικό διάστημα, οι δυνατότητες μαυρίσματος μειώνονται. Αυτό το φαινόμενο γίνεται αισθητό μετά από αρκετά χρόνια. Για να επιλυθεί αυτό το πρόβλημα, ορίστε λίγο μεγαλύτερο χρόνο μαυρίσματος ή αντικαταστήστε τη λάμπα.

Introducción

Con este solárium de lujo de medio cuerpo podrá broncearse la cara, los hombros y el escote. Cuenta con una potente lámpara de alta presión, para un bronceado rápido y más natural. El aparato incluye una cinta medidora y un temporizador ajustable.

Descripción general (fig. 1)

- A** Gancho para colgar las gafas
- B** Reflector
- C** Lámpara de bronceado (modelo Philips HPA flexpower 400-600)
- D** Filtro UV
- E** Gafas protectoras (2 pares) (modelo HB071/código de servicio 4822 690 80123)
- F** Cinta medidora
- G** Cable de alimentación con recoge cable
- H** Ventilador
- I** Temporizador
- J** Asa

Importante

Antes de usar el aparato, lea atentamente este manual del usuario y consérvelo por si necesitara consultarlo en el futuro.

- Antes de enchufar el aparato, compruebe si el voltaje indicado en el mismo se corresponde con el voltaje de red local.
- Si el cable de red está dañado, debe ser sustituido por Philips o por un centro de servicio autorizado por Philips, con el fin de evitar situaciones de peligro.
- El agua y la electricidad son una combinación peligrosa. No utilice este aparato en ambientes húmedos (por ejemplo, en el baño o cerca de una ducha o una piscina).
- Si ha estado nadando o acaba de darse una ducha, séquese completamente antes de usar el aparato.
- Este aparato no debe ser usado por personas con su capacidad física, psíquica o sensorial reducida, ni por quienes no tengan los conocimientos y la experiencia necesarios, a menos que sean supervisados o instruidos acerca del uso del aparato por una persona responsable de su seguridad.
- Asegúrese de que los niños no jueguen con este aparato.
- Desenchufe siempre el aparato después de usarlo.
- Antes de guardar el aparato, deje que se enfríe durante unos 15 minutos.
- Asegúrese de que las rejillas de ventilación de la parte posterior del aparato y del asa permanecen abiertas mientras se usa.
- El aparato está equipado con un dispositivo automático de protección contra sobrecalentamiento. Si el aparato no se enfría lo suficiente (por ejemplo, porque las rejillas de ventilación estén tapadas), se apagará automáticamente. Una vez que se haya eliminado la causa del sobrecalentamiento y el aparato se haya enfriado, volverá a encenderse de forma automática.
- No sobrepase los tiempos de bronceado recomendados ni el número máximo de horas de exposición (consulte el capítulo "Sesiones de bronceado: frecuencia y duración").
- No utilice nunca el aparato sin el filtro UV o con el filtro UV dañado o roto, ni con el temporizador defectuoso.
- La distancia de bronceado debe ser superior a 60 cm.
- No se broncee una misma parte del cuerpo más de una vez al día. Evite la exposición excesiva a la luz solar natural en el mismo día.
- No utilice el aparato si tiene alguna enfermedad o si toma medicamentos o utiliza productos cosméticos que puedan aumentar la sensibilidad de la piel a la luz ultravioleta. Ponga especial cuidado si es muy sensible a la luz ultravioleta. En caso de duda consulte a su médico.

- No deben utilizar el aparato las personas que al tomar el sol se queman pero no se broncean, las que sufren quemaduras solares, los niños, o aquellas personas que padecen (o han padecido) cáncer de piel o tienen una predisposición a padecerlo.
- No utilice el aparato y consulte a su médico si aparecen efectos inesperados, tal como picor, en las 48 horas posteriores a la primera sesión.
- Consulte a su médico si aparecen bultos o llagas persistentes en la piel, o si se producen cambios en lunares pigmentados.
- Durante la sesión de bronceado, utilice siempre las gafas protectoras que se suministran para proteger los ojos de una exposición excesiva (consulte también el apartado "Los rayos ultravioleta y la salud").
- Elimine las cremas, lápiz de labios y otros cosméticos antes de someterse a una sesión de bronceado.
- No utilice filtros solares ni aceleradores del bronceado.
- Si nota la piel tirante después de una sesión de bronceado, puede aplicarse una crema hidratante.
- Los colores pueden perder intensidad con la luz del sol. Puede ocurrir lo mismo al utilizar este aparato.
- No espere obtener mejores resultados con el aparato que con la luz solar natural.

Campos electromagnéticos (CEM)

Este aparato Philips cumple todos los estándares sobre campos electromagnéticos (CEM). Si se utiliza correctamente y de acuerdo con las instrucciones de este manual, el aparato se puede usar de forma segura según los conocimientos científicos disponibles hoy en día.

El bronceado y la salud

El sol

El sol proporciona varios tipos de energía. La luz visible nos permite ver; la luz ultravioleta (UV) nos broncea, y la luz infrarroja (IR) de los rayos solares nos proporciona el calor que tanto nos agrada.

Solárium de medio cuerpo

Con este solárium de medio cuerpo se puede broncear cómodamente en su casa. Un temporizador le asegura que cada sesión no dure más de 60 minutos. Al igual que con la luz solar natural, se debe evitar la exposición excesiva (consulte el apartado "Los rayos ultravioleta y la salud").

Los rayos ultravioleta y la salud

Al igual que con la luz solar natural, el proceso de bronceado lleva su tiempo. Los primeros efectos sólo serán visibles tras varias sesiones (consulte el capítulo "Sesiones de bronceado: frecuencia y duración").

La exposición excesiva a la luz ultravioleta (ya sea luz solar natural o luz artificial del solárium) puede provocar quemaduras solares.

Además de otros factores, como la exposición excesiva a la luz solar natural, el uso excesivo e incorrecto de este aparato puede aumentar el riesgo de padecer enfermedades cutáneas y oculares. La medida en que esto pueda ocurrir viene determinada, por un lado, por la naturaleza, intensidad y duración de la exposición y, por otro, por la sensibilidad de la persona. Cuanto más tiempo se expongan los ojos y la piel a los rayos ultravioleta, mayor será el riesgo de padecer queratitis, conjuntivitis, cataratas, daños en la retina, envejecimiento prematuro de la piel, o de desarrollar tumores cutáneos. Algunos medicamentos y cosméticos aumentan la sensibilidad de la piel. Por lo tanto es muy importante:

- que siga las instrucciones de los capítulos "Importante" y "Sesiones de bronceado: frecuencia y duración";
- que no supere el número máximo de horas de bronceado anuales (consulte el capítulo "Sesiones de bronceado: frecuencia y duración");
- que utilice siempre las gafas protectoras mientras se broncea;
- que la distancia de bronceado (distancia entre el filtro UV y el cuerpo) sea de al menos 60 cm.

Sesiones de bronceado: frecuencia y duración

- No realice más de una sesión de bronceado al día, durante un periodo de cinco a diez días.
- Haga un descanso de al menos 48 horas entre la primera y la segunda sesión.
- Después de un ciclo de 5 a 10 días, recomendamos que deje de broncearse durante un tiempo.
- Aproximadamente un mes después de un ciclo, la piel habrá perdido gran parte de su bronceado. Entonces podrá comenzar otro ciclo.
- Si quiere mantener el bronceado, no deje de utilizar el solárium después de un ciclo; realice una o dos sesiones por semana.
- Tanto si elige dejar de broncearse durante un tiempo, como si continúa haciéndolo con menor frecuencia, recuerde que no debe superar el número máximo de horas de bronceado.
- Para este aparato el número máximo de horas de bronceado al año es de 20 (=1.200 minutos).

Ejemplo

Supongamos que realiza un tratamiento de bronceado de 10 días, con una sesión de 8 minutos el primer día y de 20 los nueve días restantes.

El ciclo completo durará $(1 \times 8 \text{ minutos}) + (9 \times 20 \text{ minutos}) = 188 \text{ minutos}$.

En un año podrá realizar 6 de estos ciclos, ya que $6 \times 188 \text{ minutos} = 1128 \text{ minutos}$.

- Por supuesto, el número máximo de horas de exposición se aplica por separado para cada parte o lado del cuerpo que vaya a broncear.

En la tabla puede verse que la primera sesión de un ciclo debe tener siempre una duración de 8 minutos, independientemente de la sensibilidad de la piel.

Duración de la sesión de bronceado para cada parte/lado del cuerpo por separado	Para personas con piel muy sensible	Para personas con piel de sensibilidad normal	Para personas con piel poco sensible
1ª sesión	8 minutos	8 minutos	8 minutos
descanso de al menos 48 horas	descanso de al menos 48 horas	descanso de al menos 48 horas	descanso de al menos 48 horas
2ª sesión	10 - 15 minutos	20 minutos	25 - 30 minutos*
3ª sesión	10 - 15 minutos	20 minutos	25 - 30 minutos*
4ª sesión	10 - 15 minutos	20 minutos	25 - 30 minutos*
5ª sesión	10 - 15 minutos	20 minutos	25 - 30 minutos*
6ª sesión	10 - 15 minutos	20 minutos	25 - 30 minutos*
7ª sesión	10 - 15 minutos	20 minutos	25 - 30 minutos*
8ª sesión	10 - 15 minutos	20 minutos	25 - 30 minutos*
9ª sesión	10 - 15 minutos	20 minutos	25 - 30 minutos*
10ª sesión	10 - 15 minutos	20 minutos	25 - 30 minutos*

* O más, en función de la sensibilidad de su piel.

Si piensa que las sesiones son demasiado largas para usted (si siente la piel tirante y sensible después de una sesión), le recomendamos que reduzca la duración de las sesiones 5 minutos, por ejemplo.

Para conseguir un bronceado bonito y uniforme, gire de vez en cuando la cara y el cuerpo a la derecha y a la izquierda, para que los lados de la cara y el cuerpo queden igualmente expuestos a la luz bronceadora.

Si siente la piel ligeramente tirante después del bronceado, puede aplicarse una crema hidratante.

Uso del aparato

- 1** Coloque el aparato sobre una superficie firme, plana y estable.
- 2** Desenrolle completamente el cable de red.
- 3** Enchufe el aparato a la toma de corriente.
- 4** Colóquese frente al aparato.
- 5** Utilice las gafas protectoras que se suministran.
 - Utilice estas gafas protectoras sólo cuando se esté bronceando con un solárium Philips. No las utilice para otros fines.
 - Las gafas protectoras cumplen con la protección clase II de acuerdo con la directiva 89/686/EEC.
- 6** Compruebe la distancia entre su cuerpo y el solárium.
 - Durante el bronceado, la distancia entre el filtro UV y la parte del cuerpo que se va a broncear debe ser de al menos 60 cm. (fig. 2)
 - Utilice la cinta medidora para comprobar la distancia.
- 7** Encienda el aparato ajustando el temporizador al tiempo de bronceado deseado (fig. 3).

Nota: Para elegir los tiempos de bronceado correctos, consulte el apartado "Sesiones de bronceado: frecuencia y duración".

- ▶ Cuando haya transcurrido el tiempo establecido, el temporizador apagará automáticamente el aparato.**
 - Si desea broncear otras partes del cuerpo, puede establecer un nuevo tiempo antes de que termine el tiempo establecido.
 - De este modo, evitará tener que esperar los 3 minutos necesarios para permitir que la lámpara de bronceado se enfríe después de apagarla.

- 8** Desenchufe siempre el aparato después de usarlo.

Consejo: Anote en un papel todas las sesiones que haya realizado.

Limpieza

Antes de limpiarlo, desenchufe siempre el aparato y deje que se enfríe.

No utilice estropajos, agentes abrasivos ni líquidos agresivos, como gasolina o acetona, para limpiar el aparato.

- 1** Limpie la parte exterior con un paño húmedo.

No deje que entre agua en el aparato.

- 2** Limpie el filtro UV con un paño suave humedecido con unas gotas de alcohol metílico.
- 3** Limpie las gafas protectoras con un paño húmedo.

Almacenamiento

- 1** Desenchufe el aparato.
- 2** Antes de guardar el aparato, deje que se enfríe durante 15 minutos.
- 3** Enrolle el cable alrededor del recogecable de la parte posterior del aparato (fig. 4).

Sustitución

Lámpara

La luz de la lámpara de bronceado pierde intensidad con el tiempo (es decir, tras unos años de uso normal). Cuando esto ocurra, notará que la capacidad de bronceado disminuye. Para solucionar este problema programe un tiempo de bronceado ligeramente superior o sustituya la lámpara.

Haga que cambien la lámpara de bronceado en un centro de servicio autorizado por Philips, ya que ellos tienen los conocimientos y cualificación necesarios para realizar esta tarea, así como las piezas de repuesto originales del aparato.

Filtro UV

No utilice nunca el aparato sin el filtro UV o si el filtro está roto o deteriorado.

Sustituya siempre el filtro UV cuando esté roto o deteriorado.

Haga que cambien el filtro UV en un centro de servicio autorizado por Philips, ya que ellos tienen los conocimientos y cualificación necesarios para realizar esta tarea, así como las piezas de repuesto originales del solárium facial.

Gafas protectoras

Puede pedir unas gafas de recambio o adicionales, modelo HB071, con el número de servicio 4822 690 80123.

Medio ambiente

- Al final de su vida útil, no tire el aparato junto con la basura normal del hogar. Llévelo a un punto de recogida oficial para su reciclado. De esta manera ayudará a conservar el medio ambiente (fig. 5).
- La lámpara de este aparato contiene sustancias que pueden contaminar el medio ambiente. Cuando deseche la lámpara, no la tire junto con la basura normal del hogar; deposítela en un punto de recogida oficial.

Garantía y servicio

Si necesita información o tiene algún problema, visite la página Web de Philips en www.philips.com, o póngase en contacto con el Servicio de Atención al Cliente de Philips en su país (hallará el número de teléfono en el folleto de la garantía mundial). Si no hay Servicio de Atención al Cliente de Philips en su país, diríjase a su distribuidor local Philips o póngase en contacto con el Service Department de Philips Domestic Appliances and Personal Care BV.

Restricciones de la garantía

La lámpara de bronceado no está cubierta por las condiciones de garantía internacional.

Guía de resolución de problemas

Si surgiera algún problema con el aparato y no pudiera solucionarlo con la siguiente información, póngase en contacto con el centro de servicio Philips más próximo o con el Servicio de Atención al Cliente de Philips en su país.

Problema	Solución
El aparato no se enciende.	Asegúrese de que la clavija se ha conectado correctamente a la red.
	Puede que haya un fallo de suministro de energía. Compruebe si la toma de corriente funciona conectando otro aparato.
	Puede que no se haya ajustado el tiempo. Ajuste el tiempo de bronceado adecuado.
	Puede que la lámpara esté aún demasiado caliente para volver a encenderse. Deje que se enfríe durante 3 minutos antes de volver a encenderla.
Bronceado insuficiente	Quizás esté utilizando un cable alargador demasiado largo o no tiene la corriente correcta. Consulte a su distribuidor. Nuestro consejo general es que no utilice alargadores.
	Puede que haya seguido un ciclo de bronceado que no sea adecuado para su tipo de piel. Consulte la tabla del apartado "Sesiones de bronceado: frecuencia y duración".
	Puede que la distancia entre la lámpara y el cuerpo sea mayor que la recomendada.
	Si se ha utilizado la lámpara durante mucho tiempo, su capacidad de broncear disminuye. Este efecto sólo será perceptible transcurridos varios años. Para solucionar este problema, seleccione un tiempo de bronceado ligeramente superior o sustituya la lámpara.

Introduction

Ce solarium de luxe pour buste assure le bronzage du visage, des épaules et du décolleté. Il intègre une lampe puissante haute pression pour un bronzage plus rapide et plus naturel. L'appareil est doté d'un mètre à ruban et d'un minuteur réglable.

Description générale (fig. 1)

- A** Crochet de rangement pour les lunettes
- B** Réflecteur
- C** Lampe de bronzage (de type Philips HPA FlexPower 400-600)
- D** Filtre UV
- E** Lunettes de protection (2 paires) (modèle HB071/référence 4822 690 80123)
- F** Mètre à ruban
- G** Cordon d'alimentation avec système d'enroulement
- H** Ventilateur
- I** Minuteur
- J** Poignée

Important

Lisez attentivement ce mode d'emploi avant d'utiliser l'appareil et conservez-le pour un usage ultérieur.

- Avant de brancher l'appareil, vérifiez que la tension indiquée sur l'appareil correspond à la tension secteur locale.
- Si le cordon d'alimentation est endommagé, il doit être remplacé par Philips, un Centre Service Agréé ou un technicien qualifié afin d'éviter tout accident.
- L'eau et l'électricité ne font pas bon ménage. N'utilisez jamais l'appareil dans un environnement humide (dans la salle de bain ou près d'une douche ou d'une piscine par exemple).
- Si vous venez de nager ou de prendre une douche, séchez-vous parfaitement avant d'utiliser l'appareil.
- Cet appareil n'est pas destiné à être utilisé par des personnes ne disposant pas de toutes leurs capacités physiques, sensorielles ou mentales, ou par des personnes manquant d'expérience ou de connaissances en la matière, à moins que celles-ci ne soient sous surveillance ou qu'elles aient reçu des instructions quant à l'utilisation de l'appareil par une personne responsable de leur sécurité.
- Veillez à ce que les enfants ne puissent pas jouer avec l'appareil.
- Débranchez toujours l'appareil après utilisation.
- Laissez l'appareil refroidir pendant environ 15 minutes environ avant de le ranger.
- Pendant le fonctionnement, n'obtenez pas les orifices d'aération qui se trouvent à l'arrière de l'appareil et dans la poignée.
- L'appareil bénéficie d'une protection intégrée contre les surchauffes. Si le refroidissement est insuffisant (en cas d'obstruction des aérations, par exemple), l'appareil s'éteint automatiquement. Une fois la source de surchauffe éliminée et la température revenue à un niveau acceptable, il se rallume automatiquement.
- Ne dépassez pas la durée de bronzage recommandée, ni le nombre maximum d'heures de bronzage (voir la section « Séances de bronzage : durée et fréquence »).
- N'utilisez jamais l'appareil si le filtre UV est endommagé, cassé ou absent, ou si le minuteur est défectueux.
- Ne placez pas le solarium à une distance inférieure à 60 cm.
- Évitez de faire bronzer une même partie du corps plus d'une fois par jour et de vous exposer au soleil le jour d'une séance de bronzage.
- N'utilisez pas l'appareil si vous souffrez d'une maladie, prenez des médicaments et/ou utilisez des produits cosmétiques susceptibles d'augmenter la sensibilité de la peau aux ultraviolets. Redoublez de prudence en cas d'hypersensibilité aux rayons ultraviolets. En cas de doute, consultez votre médecin.

- L'utilisation de l'appareil est strictement interdite aux personnes prédisposées aux coups de soleil, aux personnes souffrant de coups de soleil, aux enfants ou aux personnes atteintes (ou ayant souffert) d'un cancer de la peau ou prédisposées au cancer de la peau.
- Si vous observez des effets indésirables tels que des démangeaisons dans les 48 heures suivant la première séance, cessez d'utiliser l'appareil et consultez votre médecin.
- Consultez votre médecin si vous avez des ulcères ou des boutons tenaces de la peau ou si vous observez un changement d'aspect ou de taille des grains de beauté pigmentés.
- Portez toujours les lunettes fournies afin de protéger vos yeux de la lumière (voir également le chapitre « Les UV et votre santé »).
- Retirez toute trace de crème, de rouge à lèvres ou de produit cosmétique avant une séance de bronzage.
- N'employez pas de lotions ou de crèmes solaires.
- Si votre peau est sèche après la séance de bronzage, vous pouvez appliquer une crème hydratante.
- Certaines couleurs pâlisent au contact des rayons du soleil. Le même phénomène peut se produire lors de l'utilisation du solarium.
- Le solarium ne garantit pas de meilleurs résultats de bronzage par rapport à une exposition au soleil.

Champs électromagnétiques (CEM)

Cet appareil Philips est conforme à toutes les normes relatives aux champs électromagnétiques (CEM). Il répond aux règles de sécurité établies sur la base des connaissances scientifiques actuelles s'il est manipulé correctement et conformément aux instructions de ce mode d'emploi.

Bronzage et santé

Le soleil

Le soleil émet un rayonnement complexe : sa lumière nous permet de voir; ses rayons ultraviolets (UV) font bronzer notre peau et ses rayons infrarouges (IR) génèrent de la chaleur.

Solarium pour buste

Ce solarium pour buste vous permet de bronzer confortablement chez vous. Un minuteur coupe automatiquement l'alimentation de l'appareil après 60 minutes de bronzage pour éviter toute surexposition (voir le chapitre « Les UV et votre santé »).

Les UV et votre santé

Comme le bronzage naturel, le bronzage aux UV nécessite un certain temps. Les premiers effets ne seront visibles qu'après quelques séances (voir la section « Séances de bronzage: durée et fréquence »).

Une surexposition aux rayons ultraviolets (du soleil ou du solarium) peut engendrer des coups de soleil.

Outre plusieurs autres facteurs, comme la surexposition au soleil, une utilisation incorrecte ou excessive du solarium peut augmenter le risque de maladie de la peau ou des yeux. La gravité de ces maladies dépend d'une part de la nature, de l'intensité et de la durée de l'exposition, et d'autre part de la sensibilité de chacun.

Une exposition prolongée de la peau et des yeux aux UV augmente le risque d'affections telles que la kératite, la conjonctivite, les dommages à la rétine, la cataracte, le vieillissement prématuré de la peau et les tumeurs de la peau. Certains médicaments et produits cosmétiques contribuent à augmenter la sensibilité de la peau.

Il est dès lors très important de :

- suivre les instructions fournies dans le chapitre « Important » et dans la section « Séances de bronzage : durée et fréquence »;
- ne pas dépasser le nombre maximum d'heures de bronzage par an (voir également la section « Séances de bronzage : durée et fréquence »);
- toujours porter les lunettes fournies pendant le bronzage ;

- respecter la distance de bronzage minimum (distance entre le filtre UV et votre peau) de 60 cm.

Séances de bronzage : durée et fréquence

- Effectuez une seule séance de bronzage par jour pendant une période de cinq à dix jours.
- Espacez les deux premières séances de bronzage d'au moins 48 heures.
- Après ce programme de cinq à dix jours, laissez reposer votre peau pendant un certain temps.
- Environ un mois plus tard, votre peau aura perdu une grande partie du bronzage. Vous pouvez alors commencer un nouveau programme.
- Pour entretenir votre bronzage, effectuez une ou deux séances d'UV par semaine, après avoir suivi le programme initial.
- Que vous choisissiez de faire une pause pendant quelques jours ou de continuer le bronzage à une intensité plus faible, il est impératif de ne pas dépasser le nombre maximum d'heures de bronzage par an.
- Pour ce solarium, le nombre maximum d'heures de bronzage est de 20 heures (= 1 200 minutes) par an.

Exemple

Supposons que vous suiviez un programme de bronzage de 10 jours avec une séance de 8 minutes le premier jour et des séances de 20 minutes les neuf jours suivants.

Le programme entier comprend donc (1 x 8 minutes) + (9 x 20 minutes) = 188 minutes.

Vous pouvez suivre 6 de ces programmes par an (puisque 6 x 188 minutes = 1 128 minutes).

- Le nombre maximal d'heures de bronzage s'applique bien sûr à chaque partie du corps (comme l'avant et le dos).

Dans le tableau ci-dessous, vous verrez que la durée de la première séance est toujours de 8 minutes, quelle que soit la sensibilité de la peau.

Durée de la séance de bronzage pour chaque partie du corps traitée	Pour personnes à peau très sensible	Pour personnes à peau normale	Pour personnes à peau peu sensible
1re séance	8 minutes	8 minutes	8 minutes
pause d'au moins 48 heures	pause d'au moins 48 heures	pause d'au moins 48 heures	pause d'au moins 48 heures
2e séance	10-15 minutes	20 minutes	25-30 minutes*
3e séance	10-15 minutes	20 minutes	25-30 minutes*
4e séance	10-15 minutes	20 minutes	25-30 minutes*
5e séance	10-15 minutes	20 minutes	25-30 minutes*
6e séance	10-15 minutes	20 minutes	25-30 minutes*
7e séance	10-15 minutes	20 minutes	25-30 minutes*
8e séance	10-15 minutes	20 minutes	25-30 minutes*
9e séance	10-15 minutes	20 minutes	25-30 minutes*
10e séance	10-15 minutes	20 minutes	25-30 minutes*

* Ou plus, en fonction de la sensibilité de la peau.

Si les séances vous semblent trop longues (si vous avez l'impression que votre peau tire en fin de séance par exemple), il est recommandé d'en réduire la durée d'environ 5 minutes.

Pour obtenir un bronzage uniforme, tournez de temps en temps votre visage et votre corps vers la gauche puis vers la droite pour les exposer aux rayons de façon plus uniforme.

Si votre peau tire un peu à la fin de la séance de bronzage, vous pouvez appliquer une crème hydratante.

Utilisation de l'appareil

- 1** Posez l'appareil sur une surface solide, plane et stable.
- 2** Déroulez complètement le cordon d'alimentation.
- 3** Branchez le cordon d'alimentation sur la prise secteur.
- 4** Prenez place devant l'appareil.
- 5** Mettez les lunettes de protection fournies.
 - Utilisez uniquement ces lunettes de protection pour les séances de bronzage avec un appareil Philips. Ne les utilisez pas à d'autres fins.
 - Les lunettes de protection sont conformes à la directive 89/686/CEE, classe II.
- 6** Vérifiez la distance entre l'appareil et votre corps.
 - Pendant le bronzage, la distance entre votre corps et le filtre UV doit être d'au moins 60 cm. (fig. 2)
 - Utilisez le mètre à ruban pour vérifier cette distance.
- 7** Allumez l'appareil en réglant le minuteur sur la durée de bronzage souhaitée (fig. 3).

Remarque: Pour connaître les durées de bronzage recommandées, reportez-vous au chapitre « Séances de bronzage: durée et fréquence ».

- ▶ **L'appareil s'arrête automatiquement à la fin de la durée définie.**
 - Si vous souhaitez exposer d'autres parties de votre corps à la suite, vous pouvez régler une nouvelle durée d'exposition avant la fin de la session programmée.
 - Si vous réglez une nouvelle durée avant que la session en cours ne soit terminée, vous éviterez les 3 minutes d'attente nécessaires au refroidissement de la lampe.
- 8** Débranchez toujours l'appareil après utilisation.

Conseil: Notez le nombre de séances effectuées sur une feuille de papier.

Nettoyage

Débranchez toujours l'appareil et laissez-le refroidir avant de le nettoyer.

N'utilisez jamais de tampons à récurer, de produits abrasifs ou de détergents agressifs tels que de l'essence ou de l'acétone pour nettoyer l'appareil.

- 1** Nettoyez l'extérieur de l'appareil à l'aide d'un chiffon humide.
Veillez à ne pas faire pénétrer d'eau dans l'appareil.
- 2** Nettoyez le filtre UV à l'aide d'un chiffon doux humecté d'alcool dénaturé.
- 3** Nettoyez les lunettes de protection à l'aide d'un chiffon humide.

Rangement

- 1** Débranchez l'appareil.
- 2** Laissez l'appareil refroidir 15 minutes avant de le ranger.
- 3** Enroulez le cordon autour du rangement prévu à cet effet à l'arrière de l'appareil (fig. 4).

Remplacement

Lampe

Avec le temps (après plusieurs années en cas d'utilisation normale), l'intensité de la lumière émise par la lampe faiblit, ainsi que leur efficacité. Vous pouvez compenser cette perte d'efficacité en augmentant le temps d'exposition ou en remplaçant la lampe.

Confiez toujours le remplacement de la lampe de bronzage à un Centre Service Agréé Philips. Seuls ces centres disposent du personnel qualifié pour ce genre d'intervention, ainsi que des pièces de rechange d'origine pour l'appareil.

Filtre UV

N'utilisez en aucun cas cet appareil si le filtre UV est cassé, endommagé ou manquant.

Veillez à toujours remplacer le filtre UV dès qu'il est endommagé ou cassé.

Confiez toujours le remplacement du filtre UV à un Centre Service Agréé Philips. Seuls ces centres disposent du personnel qualifié pour ce genre d'intervention, ainsi que des pièces de rechange d'origine pour votre solarium facial.

Lunettes de protection

Des lunettes de protection supplémentaires ou de rechange (modèle HB071) sont disponibles sous la référence 4822 690 80123.

Environnement

- Lorsqu'il ne fonctionnera plus, ne jetez pas l'appareil avec les ordures ménagères, mais déposez-le à un endroit assigné à cet effet, où il pourra être recyclé. Vous contribuerez ainsi à la protection de l'environnement (fig. 5).
- La lampe contient des substances qui peuvent nuire à l'environnement. Lorsque vous mettez la lampe au rebut, ne la jetez pas avec les ordures ménagères, mais déposez-la à un endroit prévu à cet effet.

Garantie et service

Si vous souhaitez obtenir des informations supplémentaires ou si vous rencontrez un problème, visitez le site Web de Philips à l'adresse www.philips.com ou contactez le Service Consommateurs Philips de votre pays (vous trouverez le numéro de téléphone correspondant sur le dépliant de garantie internationale). S'il n'existe pas de Service Consommateurs Philips dans votre pays, renseignez-vous auprès de votre revendeur Philips local ou contactez le « Service Department of Philips Domestic Appliances and Personal Care BV ».

Limitation de garantie

La lampe de bronzage n'est pas couverte par la garantie internationale.

Dépannage

Si vous rencontrez des problèmes avec votre appareil et que vous ne pouvez pas les résoudre à l'aide des informations ci-dessous, adressez-vous à un Centre Service Agréé Philips ou au Service Consommateurs Philips de votre pays.

Problème	Solution
Impossible de mettre l'appareil en marche.	Assurez-vous que la fiche est correctement insérée dans la prise secteur.
	Il y a peut être une panne de courant. Vérifiez si l'alimentation électrique fonctionne en branchant un autre appareil.
	Le minuteur n'a peut-être pas été réglé. Réglez le minuteur sur la durée d'exposition souhaitée.
Résultats de bronzage peu satisfaisants.	La lampe est peut être encore trop chaude pour que l'appareil redémarre. Laissez-la refroidir 3 minutes avant de la rallumer.
	La rallonge que vous utilisez est peut-être trop longue et/ou ne correspond pas au niveau de puissance requis. Contactez votre revendeur. Il est toutefois recommandé de ne pas utiliser de rallonge.
	Le programme de bronzage que vous suivez n'est peut-être pas adapté à votre type de peau. Consultez le tableau de la section « Séances de bronzage : durée et fréquence ».
	La distance entre la lampe et votre corps est peut être plus importante que celle recommandée.
	Après une longue durée d'utilisation, l'intensité de la lumière émise par la lampe diminue. On commence à percevoir cet effet après quelques années d'utilisation. Pour compenser cette perte d'efficacité, augmentez légèrement le temps d'exposition ou remplacez la lampe.

Introduzione

Con questo solarium deluxe a mezzo busto, potete abbronzarvi il viso, le spalle e il décolleté. È dotato di una lampada potente ad alta pressione per un'abbronzatura naturale e rapida. L'apparecchio è provvisto di una rollina metrica e di un timer regolabile.

Descrizione generale (fig. 1)

- A** Ganci per gli occhiali di protezione
- B** Riflettore
- C** Lampada abbronzante (modello HPA flexpower 400-600 Philips)
- D** Filtro UV
- E** Occhiali di protezione (2 paia) (cod. HB071/n. assistenza 4822 690 80123)
- F** Rollina metrica
- G** Cavo di alimentazione riavvolgibile
- H** Ventilatore
- I** Timer
- J** Impugnatura

Importante

Prima di utilizzare l'apparecchio, leggete attentamente il presente manuale e conservatelo per eventuali riferimenti futuri.

- Prima di collegare l'apparecchio, verificate che la tensione riportata sulla spina corrisponda alla tensione disponibile.
- Nel caso in cui il cavo di alimentazione fosse danneggiato, dovrà essere sostituito presso i centri autorizzati Philips, i rivenditori specializzati oppure da personale debitamente qualificato, per evitare situazioni pericolose.
- Acqua ed elettricità costituiscono una combinazione pericolosa. Non usate l'apparecchio in ambienti umidi (ad es. in bagno, in prossimità di docce o piscine).
- Prima di utilizzare l'apparecchio, assicuratevi di asciugare accuratamente le mani e il corpo.
- L'apparecchio non è destinato a persone con capacità mentali, fisiche o sensoriali ridotte, fatti salvi i casi in cui tali persone abbiano ricevuto assistenza o formazione per l'uso dell'apparecchio da una persona responsabile della loro sicurezza.
- Adottate le dovute precauzioni per evitare che i bambini giochino con l'apparecchio.
- scollegate sempre il cavo di alimentazione dopo l'uso.
- Lasciate raffreddare l'apparecchio per circa 15 minuti prima di riporlo.
- Assicuratevi che le aperture sul retro dell'apparecchio e sull'impugnatura rimangano aperte durante l'uso.
- L'apparecchio è dotato di un sistema automatico di protezione contro il surriscaldamento. Se non è sufficientemente raffreddato (ad esempio, a causa dell'ostruzione dei fori di ventilazione), l'apparecchio si spegne automaticamente. Dopo aver risolto la causa del surriscaldamento e una volta raffreddato, l'apparecchio si accende automaticamente.
- Non superate il numero di sedute o le ore di abbronzatura consigliate (si veda la sezione "Sedute abbronzanti: quante volte e per quanto tempo?").
- Non utilizzate mai l'apparecchio nel caso sia danneggiato o rotto il filtro UV oppure quando il timer è difettoso.
- Posizionate l'apparecchio a una distanza di almeno 60 cm.
- Non esponete una determinata parte del corpo per più di una volta al giorno. Evitate un'eccessiva esposizione ai raggi di luce solare naturale nello stesso giorno.
- Non utilizzate l'apparecchio in presenza di patologie e/o sotto effetto di farmaci o dopo aver applicato cosmetici che potrebbero aumentare la sensibilità della pelle. Prestate particolare attenzione in caso di nota ipersensibilità ai raggi UV. In caso di dubbi, consultate il vostro medico.

- L'apparecchio non deve essere usato da persone che si scottano senza abbronzarsi, da persone con scottature, da bambini o persone affette (o che sono state affette in passato) da tumori alla pelle o comunque predisposte ad essi.
- Se si presentano effetti indesiderati, ad esempio prurito, nelle 48 ore successive alla prima seduta, non usate più il solarium e consultate il vostro medico.
- Consultate il medico qualora appaiano sulla pelle noduli persistenti o ulcerazioni, oppure nel caso in cui i nei pigmentati cambino colore.
- Durante le sedute, indossate sempre gli occhiali di protezione in dotazione per proteggere gli occhi da un'eccessiva esposizione (consultate il capitolo "I raggi UV e la vostra salute").
- Prima di iniziare una seduta abbronzante, togliete qualsiasi traccia di creme, rossetti o altri cosmetici.
- Non usate creme solari o prodotti per accelerare l'abbronzatura.
- Nel caso la pelle risultasse troppo secca dopo una seduta, potete applicare una crema idratante.
- Alcuni colori possono sbiadire per effetto del sole, è possibile che il solarium sortisca lo stesso effetto.
- Non aspettatevi risultati migliori con un solarium rispetto a quelli ottenibili con i raggi del sole.

Campi elettromagnetici (EMF)

Questo apparecchio Philips è conforme a tutti gli standard relativi ai campi elettromagnetici (EMF). Se utilizzato in modo appropriato seguendo le istruzioni contenute nel presente manuale utente, l'apparecchio consente un utilizzo sicuro come confermato dai risultati scientifici attualmente disponibili.

L'abbronzatura e la vostra salute

Il sole

Il sole fornisce diversi tipi di energia. I raggi visibili ci permettono di vedere, quelli ultravioletti (UV) permettono alla pelle di abbronzarsi, mentre quelli infrarossi (IR) ci riscaldano piacevolmente.

Lampada abbronzante a mezzo busto

Con questo apparecchio potrete ottenere una splendida abbronzatura comodamente a casa vostra. Il timer garantisce che la durata di ciascuna seduta non possa essere superiore a 60 minuti. Come nel caso del sole, tuttavia, è sempre meglio evitare esposizioni prolungate (vedere la sezione "I raggi UV e la vostra salute").

I raggi UV e la vostra salute

Il processo di abbronzatura richiede un certo periodo di tempo, sia esso legato al sole o a un solarium. I primi risultati sono visibili solo dopo alcune sedute (si veda la sezione: "Sedute abbronzanti: quante volte e per quanto tempo?")

Dopo un'eccessiva esposizione ai raggi ultravioletti (luce naturale o artificiale del solarium), la pelle può scottarsi.

Insieme a numerosi altri fattori, fra cui un'esposizione eccessiva ai raggi del sole, l'uso improprio o eccessivo del solarium può aumentare il rischio di problemi alla pelle o agli occhi. Da una parte, la natura, l'intensità e la durata delle radiazioni e dall'altra la sensibilità individuale sono fattori decisivi per stabilire il grado con cui questi problemi si possono verificare.

Più gli occhi e la pelle sono esposti ai raggi UV, maggiore sarà il rischio di disturbi quali infiammazione della cornea, congiuntivite, lesione della retina, cataratta, invecchiamento precoce e tumori della pelle. Alcuni farmaci e cosmetici possono inoltre aumentare la sensibilità della pelle.

E' pertanto della massima importanza:

- attenersi alle istruzioni riportate nel capitolo "Importante" e nella sezione "Sedute abbronzanti: quante volte e per quanto tempo?";
- non superare il numero massimo di sedute o di ore di abbronzatura consigliato (si veda la sezione "Sedute abbronzanti: quante volte e per quanto tempo?");
- indossare sempre gli speciali occhiali di protezione durante le sedute;

- rispettare le distanza consigliata di almeno 60 cm (fra i filtri UV e il corpo).

Sedute abbronzanti: quante volte e per quanto tempo?

- Non sottoponetevi a più di una sessione abbronzante al giorno nell'arco di 5/10 giorni.
- Lasciate trascorrere almeno 48 ore fra la prima e la seconda seduta.
- Dopo il primo ciclo di 5-10 sedute, vi consigliamo di lasciar riposare la pelle.
- Circa un mese dopo il ciclo di sedute, la pelle avrà perso gran parte dell'abbronzatura. A questo punto potete iniziare un nuovo ciclo.
- Per mantenere l'abbronzatura non dovete sospendere il trattamento, ma continuare a sottoporvi a una o due sedute settimanali.
- Nel caso decidiate di sospendere il trattamento per qualche tempo o di continuare le sedute con una frequenza più bassa, fate sempre attenzione a non superare il numero massimo di ore per seduta consentite.
- Per questo apparecchio, si consigliano al massimo 20 ore (= 1200 minuti) all'anno.

Esempio

Immaginiamo che vi sottoponiate a un ciclo di raggi UV di 10 giorni, con una seduta di 8 minuti il primo giorno e di 20 minuti nei 9 giorni successivi.

L'intero ciclo sarà quindi composto da $(1 \times 8 \text{ minuti}) + (9 \times 20 \text{ minuti}) = 188 \text{ minuti}$.

Nel corso di un anno potrete sottoporvi a 6 di questi cicli $(6 \times 188 = 1128 \text{ minuti})$.

- Naturalmente il numero massimo di ore si applica a ogni singola parte del corpo abbronzata (ad es. la parte posteriore e anteriore del corpo).

Dalla tabella allegata risulta che la prima seduta di ciascun ciclo dovrebbe durare al massimo 8 minuti, indipendentemente dalla sensibilità della pelle.

Durata della seduta abbronzante per ciascuna parte del corpo.	per persone con pelle molto sensibile	per persone con pelle normale	per persone con pelle poco sensibile
1° seduta	8 minuti	8 minuti	8 minuti
intervallo di almeno 48 ore	intervallo di almeno 48 ore	intervallo di almeno 48 ore	intervallo di almeno 48 ore
2° seduta	10-15 minuti	20 minuti	25-30 minuti*
3° seduta	10-15 minuti	20 minuti	25-30 minuti*
4° seduta	10-15 minuti	20 minuti	25-30 minuti*
5° seduta	10-15 minuti	20 minuti	25-30 minuti*
6° seduta	10-15 minuti	20 minuti	25-30 minuti*
7° seduta	10-15 minuti	20 minuti	25-30 minuti*
8° seduta	10-15 minuti	20 minuti	25-30 minuti*
9° seduta	10-15 minuti	20 minuti	25-30 minuti*
10° seduta	10-15 minuti	20 minuti	25-30 minuti*

*) o di più, in base alla sensibilità della vostra pelle.

Se pensate che le sedute siano troppo lunghe per il vostro tipo di pelle (ad es. nel caso in cui la pelle risulti tirata o eccessivamente sensibile al termine della seduta), vi consigliamo di ridurre la durata della sessione, per esempio di 5 minuti.

Per un'abbronzatura intensa e uniforme, girarsi di tanto in tanto verso destra e verso sinistra durante la seduta per esporre uniformemente i due profil.

Se la vostra pelle risulta leggermente tirata dopo la seduta, potete applicare della crema idratante.

Modalità d'uso dell'apparecchio

- 1** Appoggiate l'apparecchio su una superficie solida e stabile.
- 2** Srotolate completamente il cavo di alimentazione.
- 3** Inserite la spina nella presa di corrente a muro.
- 4** Sistematevi di fronte all'apparecchio.
- 5** Indossate gli occhiali di protezione in dotazione.
 - Indossate gli occhiali di protezione in dotazione esclusivamente quando utilizzate il solarium Philips. Non utilizzateli per altri scopi.
 - Gli occhiali di protezione sono conformi alla direttiva 89/686/CEE, classe di protezione II.
- 6** Controllate la distanza fra il corpo e l'apparecchio.
 - Durante la sessione, la distanza tra il filtro UV e la parte del corpo trattata deve essere di almeno 60 cm. (fig. 2)
 - Usate la rollina metrica per controllare la distanza.
- 7** Accendere l'apparecchio impostando il timer sul tempo di abbronzatura richiesto (fig. 3).

Nota: Per i tempi di abbronzatura corretti, consultate la sezione "Sedute abbronzanti: quante volte e per quanto tempo?".

- ▶ **Trascorso il tempo impostato, il timer spegne automaticamente l'apparecchio.**
 - Se desiderate esporre più parti del corpo in sequenza, modificate la durata prima che trascorra il tempo impostato.
 - Impostando nuovamente il timer prima che sia trascorso il tempo impostato, eviterete l'attesa di 3 minuti necessaria per consentire il raffreddamento della lampada abbronzante.
- 8** scollegate sempre il cavo di alimentazione dopo l'uso.

Consiglio: Prendete nota del numero di sedute a cui vi siete già sottoposti.

Pulizia

Prima di procedere alla pulizia, scollegate sempre la spina dalla presa di corrente e lasciate raffreddare l'apparecchio.

non usate prodotti o sostanze abrasive o detersivi aggressivi, come benzina o acetone, per pulire l'apparecchio.

- 1** Usate un panno umido per pulire la parte esterna dell'apparecchio.
Evitate il contatto diretto con l'acqua.
- 2** Per pulire i filtri UV, utilizzate un panno morbido imbevuto di alcool metilico.
- 3** Pulire gli occhiali di protezione con un panno umido.

Come riporre l'apparecchio

- 1** Staccate la spina dalla presa di corrente.
- 2** Lasciate raffreddare l'apparecchio per 15 minuti prima di riporlo.
- 3** Avvolgete il cavo di alimentazione attorno all'apposito supporto sul retro dell'apparecchio (fig. 4).

Sostituzione

Lampada

Dopo un certo periodo di utilizzo dell'apparecchio (con un uso normale in genere dopo alcuni anni), l'efficienza della lampada diminuisce gradualmente. In questo caso, vi accorgete che la capacità abbronzante delle lampade è minore. Sarà quindi necessario aumentare leggermente la durata delle sedute oppure sostituire la lampada abbronzante.

La lampada deve essere sostituita esclusivamente presso un centro di assistenza autorizzato Philips da personale in possesso della competenza necessaria e dei pezzi di ricambio originali per eseguire il lavoro.

Filtro UV

Non utilizzate mai l'apparecchio nel caso il filtro UV sia danneggiato, rotto o assente.

Il filtro UV deve essere sostituito immediatamente se danneggiato o rotto.

Il filtro UV deve essere sostituito esclusivamente presso un centro di assistenza autorizzato Philips da personale in possesso della competenza necessaria dei pezzi di ricambio originali per eseguire il lavoro.

Occhiali di protezione

Gli occhiali aggiuntivi o di ricambio, mod. HB071, possono essere ordinati con il codice 4822 690 80123.

Tutela dell'ambiente

- Per contribuire alla tutela dell'ambiente, non smaltite l'apparecchio insieme ai rifiuti domestici, ma consegnatelo a un centro di raccolta ufficiale (fig. 5).
- La lampada dell'apparecchio contiene sostanze potenzialmente nocive per l'ambiente. Al momento dello smaltimento della lampada, non gettatela tra i rifiuti domestici ma consegnatela a un centro di raccolta ufficiale.

Garanzia e assistenza

Per ulteriori informazioni o eventuali problemi, visitate il sito Web Philips all'indirizzo www.philips.com oppure contattate il Centro Assistenza Clienti Philips locale (il numero di telefono è riportato nella garanzia). Qualora non fosse disponibile un Centro Assistenza Clienti locale, rivolgetevi al rivenditore autorizzato Philips oppure contattate il Reparto assistenza Philips Domestic Appliances & Personal Care BV.

Limitazioni della garanzia

La lampada abbronzante non è coperta dalle condizioni previste dalla garanzia internazionale.

Risoluzione dei guasti

Nel caso sorgessero problemi con l'apparecchio che non possono essere risolti con l'aiuto delle informazioni sotto riportate, contattate il rivenditore Philips più vicino oppure il Centro Assistenza Clienti Philips del vostro paese.

Problema	Soluzione
L'apparecchio non si accende	Assicuratevi di aver inserito correttamente la spina nella presa di corrente.
	Potrebbe trattarsi di un guasto di corrente. Verificate l'erogazione di corrente collegando un altro apparecchio elettrico.
	È possibile che il timer non sia stato impostato. Impostate la durata della seduta appropriata.
Scarsi risultati di abbronzatura	È possibile che la lampada sia ancora troppo calda per riaccendersi. Lasciatela raffreddare per 3 minuti prima di accenderla di nuovo.
	È possibile che la prolunga utilizzata sia troppo lunga o l'intensità di corrente erogata non sia corretta. Rivolgetevi al vostro rivenditore. Si consiglia in generale di non utilizzare una prolunga.
	È possibile che il tipo di abbronzatura scelto non sia indicato per il vostro tipo di pelle. Consultate la tabella "Sedute abbronzanti: quante volte e per quanto tempo?".
	È possibile che la distanza fra il viso e la lampada sia maggiore di quella prevista.
	Dopo un certo periodo di utilizzo, la capacità abbronzante della lampada diminuisce. Questo fenomeno risulterà evidente solo dopo alcuni anni. Per risolvere questo problema, aumentate la durata della sessione o provvedete alla sostituzione della lampada.

Inleiding

Met deze luxe lichaamsdeelbruiner kunt u uw gezicht, schouders en decolleté bruinen. Het apparaat heeft een krachtige hogedruklamp voor snelle en natuurlijkere bruiningsresultaten. Het apparaat is voorzien van een meetlint en een instelbare timer.

Algemene beschrijving (fig. 1)

- A** Opberghaak voor beschermbrillen
- B** Reflector
- C** Bruiningslamp (type Philips HPA flexpower 400-600)
- D** UV-filter
- E** Beschermbrillen (2 stuks) (typenummer HB071/servicenummer 4822 690 80123)
- F** Meetlint
- G** Netsnoer met snoeropbergvoorziening
- H** Ventilator
- I** Timer
- J** Handgreep

Belangrijk

Lees deze gebruiksaanwijzing zorgvuldig door voordat u het apparaat gaat gebruiken. Bewaar de gebruiksaanwijzing om deze indien nodig te kunnen raadplegen.

- Controleer of het voltage aangegeven op het apparaat overeenkomt met de plaatselijke netspanning voordat u het apparaat aansluit.
- Indien het netsnoer beschadigd is, moet u het laten vervangen door Philips, een door Philips geautoriseerd servicecentrum of personen met vergelijkbare kwalificaties om gevaar te voorkomen.
- Water en elektriciteit vormen een gevaarlijke combinatie. Gebruik dit apparaat daarom niet in een vochtige omgeving (bijv. in de badkamer of in de buurt van een douche of zwembad).
- Als u zojuist hebt gezwommen of een douche hebt genomen, droogt u zich dan goed af voordat u het apparaat gaat gebruiken.
- Dit apparaat is niet bedoeld voor gebruik door personen met verminderde lichamelijke, zintuiglijke of geestelijke vermogens, of die gebrek aan ervaring of kennis hebben, tenzij iemand die verantwoordelijk is voor hun veiligheid toezicht op hen houdt of hen heeft uitgelegd hoe het apparaat dient te worden gebruikt.
- Houd toezicht op kinderen om te voorkomen dat ze met het apparaat gaan spelen.
- Haal na gebruik altijd de stekker uit het stopcontact.
- Laat het apparaat ongeveer 15 minuten afkoelen voordat u het opbergt.
- Zorg ervoor dat de ventilatieopeningen in de achterzijde van het apparaat en in de handgreep tijdens gebruik open blijven.
- Het apparaat is uitgerust met een automatische bescherming tegen oververhitting. Als het apparaat onvoldoende wordt gekoeld, bijvoorbeeld doordat de ventilatieopeningen afgedekt zijn, schakelt het apparaat automatisch uit. Als u de oorzaak van de oververhitting hebt weggenomen en het apparaat is afgekoeld, schakelt het apparaat automatisch weer in.
- Houd u aan de aanbevolen bruiningstijden en het maximale aantal bruiningsuren (zie 'Bruinings sessies: hoe vaak en hoe lang?').
- Gebruik het apparaat nooit als het UV-filter beschadigd is, kapot is of ontbreekt, of als de timer kapot is.
- Kies nooit een bruiningsafstand van minder dan 60 cm.
- Bruin een bepaald deel van het lichaam niet vaker dan één keer per dag. Vermijd diezelfde dag overmatige blootstelling aan natuurlijk zonlicht.

- Gebruik dit bruiningsapparaat niet als u een ziekte hebt en/of medicijnen of cosmetica gebruikt die de gevoeligheid van uw huid vergroten wanneer deze wordt blootgesteld aan UV-licht. Wees extra voorzichtig als u overgevoelig bent voor UV-licht. Raadpleeg in geval van twijfel uw arts.
- Dit apparaat mag niet worden gebruikt door mensen bij wie, bij blootstelling aan de zon, de huid verbrandt zonder bruin te worden, door mensen met een roodverbrande huid, door kinderen, of door mensen die lijden aan (of hebben geleden aan) huidkanker of die hier vatbaar voor zijn.
- Gebruik het bruiningsapparaat niet en raadpleeg uw arts wanneer binnen 48 uur na de eerste sessie onverwachte effecten zoals jeuk optreden.
- Raadpleeg uw arts als er hardnekkige knobbels of zweren op uw huid ontstaan of als zich veranderingen voordoen in gepigmenteerde moedervlekken.
- Draag tijdens het bruinen altijd de beschermbril die bij het apparaat wordt meegeleverd om uw ogen tegen overmatige blootstelling te beschermen (zie ook hoofdstuk 'UV en uw gezondheid').
- Verwijder crèmes, lippenstift en andere cosmetica geruime tijd voor de bruinings sessie van uw huid.
- Gebruik geen zonnebrandmiddelen of middelen die zijn bedoeld om het bruiningsproces te versnellen.
- Als uw huid strak aanvoelt na de bruinings sessie, kunt u een vochtinbrengende crème aanbrengen.
- Kleuren kunnen door blootstelling aan de zon verbleken. Hetzelfde effect kan zich voordoen als u dit apparaat gebruikt.
- Verwacht niet dat het apparaat een beter resultaat oplevert dan natuurlijk zonlicht.

Elektromagnetische velden (EMV)

Dit Philips-apparaat voldoet aan alle richtlijnen met betrekking tot elektromagnetische velden (EMV). Mits het apparaat op de juiste wijze en volgens de instructies in deze gebruiksaanwijzing wordt gebruikt, is het veilig te gebruiken volgens het nu beschikbare wetenschappelijke bewijs.

Bruinen en uw gezondheid

De zon

De zon levert verschillende soorten energie: het zichtbare licht stelt ons in staat om te zien, het ultraviolette licht (UV) bruint onze huid en het infrarode licht (IR) in zonlicht zorgt voor de warmte waarin we ons zo graag koesteren.

Lichaamsdeelbruiner

Met deze lichaamsdeelbruiner kunt u thuis op comfortabele wijze bruin worden. De timer zorgt ervoor dat iedere sessie niet langer dan 60 minuten duurt, want net als bij de echte zon dient overmatige blootstelling te worden vermeden (zie hoofdstuk 'UV en uw gezondheid').

UV en uw gezondheid

Net als bij natuurlijk zonlicht heeft het bruiningsproces bij gebruik van dit apparaat wat tijd nodig. De eerste resultaten worden pas na een aantal sessies zichtbaar (zie 'Bruinings sessies: hoe vaak en hoe lang?').

Uw huid kan verbranden door overmatige blootstelling aan ultraviolet licht, of dat nu geproduceerd wordt door de zon of door een bruiningsapparaat.

Naast vele andere factoren, zoals overmatige blootstelling aan natuurlijk zonlicht, kan onjuist en overmatig gebruik van een bruiningsapparaat het risico van huid- en oogaandoeningen vergroten. De mate waarin deze effecten optreden wordt aan de ene kant bepaald door de aard, de intensiteit en de duur van de blootstelling en aan de andere kant door de gevoeligheid van de betreffende persoon.

Hoe vaker de huid en de ogen worden blootgesteld aan UV-licht, hoe groter de kans op hoornvliesontsteking, bindvliesontsteking, beschadiging van het netvlies, staar; vroegtijdige veroudering van de huid en de ontwikkeling van huidkanker. Bepaalde medicijnen en cosmetica vergroten de gevoeligheid van de huid.

Het is daarom zeer belangrijk:

- dat u de instructies volgt in hoofdstuk 'Belangrijk' en in 'Bruiningssessies: hoe vaak en hoe lang?';
- dat u het maximale aantal bruiningssuren per jaar niet overschrijdt (zie 'Bruiningssessies: hoe vaak en hoe lang?');
- dat u tijdens het bruinen altijd de meegeleverde beschermbril draagt;
- dat de bruiningafstand (afstand tussen het UV-filter en uw lichaam) ten minste 60 cm is.

Bruiningssessies: hoe vaak en hoe lang?

- Neem niet meer dan één bruiningssessie per dag, gedurende vijf tot tien dagen.
- Wacht na uw eerste bruiningssessie minstens 48 uur voordat u uw tweede bruiningssessie neemt.
- Na deze 5-daagse tot 10-daagse kuur raden we u aan een tijdje te stoppen met de bruiningssessies.
- Ongeveer een maand na afloop van de kuur zal uw huid veel van zijn bruine kleur hebben verloren. U kunt dan met een nieuwe kuur beginnen.
- Als u uw bruine kleur wilt behouden, stop dan niet met de bruiningssessies na afloop van de kuur, maar ga door met één of twee sessies per week.
- Onthoud dat u het maximale aantal bruiningssuren niet mag overschrijden, of u er nu voor kiest een tijdje te stoppen met de bruiningssessies of doorgaat met minder sessies per week.
- Voor dit apparaat geldt een maximum van 20 bruiningssuren (= 1200 minuten) per jaar.

Voorbeeld

Stel dat u een 10-daagse bruiningssessie volgt, met een sessie van 8 minuten op de eerste dag en sessies van 20 minuten op de negen dagen die volgen.

De kuur duurt dan $(1 \times 8 \text{ minuten}) + (9 \times 20 \text{ minuten}) = 188 \text{ minuten}$.

Dit betekent dat u 6 van deze kuren per jaar kunt volgen $(6 \times 188 \text{ minuten} = 1128 \text{ minuten})$.

- Het maximale aantal bruiningssuren geldt natuurlijk voor elk afzonderlijk deel of elke afzonderlijke zijde van het lichaam (bijv. de achter- en voorzijde van het lichaam).

Zoals staat aangegeven in de tabel dient de eerste sessie altijd 8 minuten te duren, onafhankelijk van de gevoeligheid van de huid.

Duur van bruiningssessie voor ieder afzonderlijk lichaamsdeel	Voor mensen met een zeer gevoelige huid	Voor mensen met een normaal gevoelige huid	Voor mensen met een minder gevoelige huid
1e sessie	8 minuten	8 minuten	8 minuten
onderbreking van ten minste 48 uur	onderbreking van ten minste 48 uur	onderbreking van ten minste 48 uur	onderbreking van ten minste 48 uur
2e sessie	10-15 minuten	20 minuten	25-30 minuten*
3e sessie	10-15 minuten	20 minuten	25-30 minuten*
4e sessie	10-15 minuten	20 minuten	25-30 minuten*
5e sessie	10-15 minuten	20 minuten	25-30 minuten*
6e sessie	10-15 minuten	20 minuten	25-30 minuten*
7e sessie	10-15 minuten	20 minuten	25-30 minuten*
8e sessie	10-15 minuten	20 minuten	25-30 minuten*
9e sessie	10-15 minuten	20 minuten	25-30 minuten*
10e sessie	10-15 minuten	20 minuten	25-30 minuten*

* of langer, afhankelijk van de gevoeligheid van uw huid.

Als u denkt dat de sessies te lang voor u zijn (bijvoorbeeld omdat uw huid na de sessie trekt en pijnlijk aanvoelt), raden we u aan de duur van de sessie met bijv. 5 minuten te verkorten. Als u een mooie, egale bruine tint wilt krijgen, draai dan uw hoofd en lichaam tijdens de sessie af en toe naar links en naar rechts zodat ook de zijkanten van het gezicht en het lichaam gelijkmatig worden blootgesteld.

Als uw huid wat strak aanvoelt na de bruiningsessie, kunt u een vochtinbrengende crème opbrengen.

Het apparaat gebruiken

- 1** Plaats het apparaat op een stevige, vlakke en stabiele ondergrond.
- 2** Wikkel het netsnoer helemaal af.
- 3** Steek de stekker in het stopcontact.
- 4** Ga voor het apparaat zitten.
- 5** Zet de bijgeleverde beschermbril op.
 - Gebruik deze beschermbril alleen tijdens het bruinen met een Philips-bruiningsapparaat. Gebruik de bril niet voor andere doeleinden.
 - De beschermbril voldoet aan beschermingsklasse II, overeenkomstig richtlijn 89/686/EEG.
- 6** Controleer de afstand tussen het apparaat en uw lichaam.
 - Tijdens het bruinen dient de afstand tussen het UV-filter en het deel van uw lichaam dat u wilt bruinen minstens 60 cm te bedragen. (fig. 2)
 - Gebruik het meetlint om de afstand te controleren.
- 7** Schakel het apparaat in door de timer op de gewenste bruiningstijd in te stellen (fig. 3).

Opmerking: Raadpleeg ‘Bruiningsessies: hoe vaak en hoe lang?’ voor de juiste bruiningstijd.

- ▶ Wanneer de ingestelde bruiningstijd is verstreken, schakelt de timer het apparaat automatisch uit.
 - Als u meerdere lichaamsdelen na elkaar wilt bruinen, kunt u een nieuwe bruiningstijd instellen voordat de al eerder ingestelde bruiningstijd is verstreken.
 - Wanneer u de timer opnieuw instelt voordat de ingestelde tijd is verstreken, vermijdt u de wachttijd van 3 minuten die nodig is om de bruiningslamp te laten afkoelen.

- 8** Haal na gebruik altijd de stekker uit het stopcontact.

Tip: Houd het totale aantal bruiningsessies dat u hebt gehad bij op een stukje papier.

Schoonmaken

Haal altijd de stekker uit het stopcontact en laat het apparaat afkoelen voordat u het gaat schoonmaken.

Gebruik nooit schuurspunten, schurende schoonmaakmiddelen of agressieve vloeistoffen zoals benzine of aceton om het apparaat schoon te maken.

- 1** Maak de buitenkant van het apparaat schoon met een vochtige doek.

Voorkom dat er water in het apparaat loopt.

- 2** Maak het UV-filter schoon met een zacht doekje besprenkeld met wat spiritus.

- 3** Maak de beschermbril schoon met een vochtige doek.

Opbergen

- 1** Haal de stekker uit het stopcontact.

2 Laat het apparaat 15 minuten afkoelen voordat u het opbergt.

3 Wind het snoer om de snoeropbergvoorziening aan de achterzijde van het apparaat (fig. 4).

Vervangen

Lamp

Het licht dat de bruiningslamp afgeeft, wordt in de loop der tijd minder fel (dit gebeurt bij normaal gebruik na enige jaren). U merkt dit doordat het bruiningsvermogen van het apparaat afneemt. U kunt dit probleem oplossen door een iets langere bruiningstijd in te stellen of door de bruiningslamp te laten vervangen.

Laat de bruiningslamp uitsluitend vervangen door een door Philips geautoriseerd servicecentrum. Alleen daar heeft men de kennis en vaardigheden die hiervoor nodig zijn en beschikt men over de originele reserveonderdelen voor het apparaat.

UV-filter

Gebruik het apparaat nooit wanneer het UV-filter kapot is, beschadigd is of ontbreekt.

Laat het UV-filter altijd meteen vervangen nadat dit is beschadigd of kapot is gegaan.

Laat het UV-filter uitsluitend vervangen door een door Philips geautoriseerd servicecentrum. Alleen daar heeft men de kennis en vaardigheden die hiervoor nodig zijn en beschikt men over de originele reserveonderdelen voor uw gezichtsbruiner.

Beschermbril

Een extra of vervangende beschermbril, type HB071, kunt u bestellen onder servicenummer 4822 690 80123.

Milieu

- Gooi het apparaat aan het einde van zijn levensduur niet weg met het normale huisvuil, maar lever het in op een door de overheid aangewezen inzamelpunt om het te laten recyclen. Op die manier levert u een bijdrage aan een schonere leefomgeving (fig. 5).
- De lamp van dit apparaat bevat stoffen die schadelijk kunnen zijn voor het milieu. Als u de lamp afdankt, doe de lamp dan niet bij het huisvuil, maar lever deze apart in bij een officieel aangewezen inzamelpunt.

Garantie en service

Als u informatie nodig hebt of als u een probleem hebt, bezoek dan de Philips-website www.philips.com, of neem contact op met het Philips Customer Care Centre in uw land (u vindt het telefoonnummer in het 'worldwide guarantee'-vouwblad). Als er geen Customer Care Centre in uw land is, ga dan naar uw Philips-dealer of neem contact op met de afdeling Service van Philips Domestic Appliances and Personal Care BV.

Garantiebeperkingen

De bruiningslamp valt niet onder de internationale garantie.

Problemen oplossen

Als u een probleem hebt met dit apparaat en u er niet in slaagt dit probleem op te lossen met behulp van onderstaande informatie, neem dan contact op met het dichtstbijzijnde Philips-servicecentrum of met het Philips Customer Care Centre in uw land.

Probleem	Oplossing
Het apparaat gaat niet aan	Zorg ervoor dat de stekker goed in het stopcontact zit.
	Mogelijk is er een stroomstoring opgetreden. Controleer of dit zo is door een ander apparaat aan te sluiten.
Slechte bruiningsresultaten	Mogelijk is de timer niet ingesteld. Stel de timer in op de gewenste bruiningstijd.
	Mogelijk is de lamp nog steeds te warm om opnieuw op te starten. Laat de lamp 3 minuten afkoelen voordat u deze opnieuw inschakelt.
Slechte bruiningsresultaten	Mogelijk gebruikt u een verlengsnoer dat te lang is of dat niet de juiste aansluitwaarde heeft. Raadpleeg uw dealer. Ons algemene advies is om geen verlengsnoer te gebruiken.
	Mogelijk hebt u een bruiningskuur gevolgd die niet geschikt is voor uw huidtype. Raadpleeg de tabel in 'Bruiningsessies: hoe vaak en hoe lang?'. Mogelijk is de afstand tussen de lamp en uw lichaam groter dan is voorgeschreven.
	Als de lamp al lang in gebruik is, neemt het bruiningsvermogen af. Dit effect merkt u pas na enige jaren. U kunt dit oplossen door een iets langere bruiningstijd in te stellen of door de lamp te laten vervangen.

Innledning

Med dette luksuriøse halvkroppssolariet kan du sole ansiktet, skuldrene og brystet. Det har en kraftig høytrykksslampe for rask og mer naturlig bruningsresultat. Apparatet har målebånd og justerbar timer.

Generell beskrivelse (fig. 1)

- A** Oppbevaringskrok for briller
- B** Reflektor
- C** Lysrør (typen Philips HPA flexpower 400-600)
- D** UV-filter
- E** Beskyttelsesbriller (to par) (typenr: HB071/servicenr: 4822 690 80123)
- F** Målebånd
- G** Ledning med kveilemuligheter
- H** Vifte
- I** Timer
- J** Håndtak

Viktig

Les denne brukerveiledningen nøye før du bruker apparatet, og ta vare på den for senere referanse.

- Før du kobler til apparatet, må du kontrollere at spenningen som er angitt på apparatet, stemmer overens med nettspenningen.
- Hvis ledningen er ødelagt, må den alltid skiftes ut av Philips, et servicesenter som er godkjent av Philips, eller lignende kvalifisert personell, slik at man unngår farlige situasjoner.
- Vann og elektrisitet er en farlig kombinasjon! Ikke bruk apparatet i fuktige omgivelser (f.eks. i baderom eller i nærheten av en dusj eller et svømmebasseng).
- Etter en svømmetur eller en dusj bør du tørke godt av deg før du bruker apparatet.
- Dette apparatet er ikke tiltenk bruk av personer som har nedsatt sanseevne eller fysisk eller psykisk funksjonsevne, eller personer som ikke har erfaring eller kunnskap, unntatt hvis de får tilsyn eller instruksjoner om bruk av apparatet av en person som er ansvarlig for sikkerheten.
- Pass på at barn er under tilsyn, slik at de ikke leker med apparatet.
- Koble alltid fra apparatet etter bruk.
- La apparatet kjøle seg ned i ca. 15 minutter før du setter det bort.
- Pass på at luftehullene på baksiden av apparatet og i håndtaket ikke blokkeres under bruk.
- Apparatet har automatisk beskyttelse mot overoppheting. Hvis apparatet ikke får nok kjøling (f.eks. fordi ventilene er tildekket), slås apparatet av automatisk. Når du har fjernet årsaken til overoppheting og apparatet er avkjølt, slås apparatet på igjen automatisk.
- Ikke overskrid anbefalt solingstid eller maksimalt antall solingstimer (se avsnittet Soling; hvor ofte og hvor lenge?).
- Ikke bruk apparatet når UV-filteret er ødelagt, skadd eller mangler, eller hvis timeren er ødelagt.
- Avstanden til apparatet må ikke være under 60 cm.
- Ikke sol noen deler av kroppen mer enn én gang om dagen. Unngå overdreven utendørsoling samme dag.
- Ikke bruk solarieret hvis du har en sykdom og/eller bruker medisiner eller kosmetikk som gjør huden mer ømfintlig. Vær spesielt forsiktig hvis du er hypersensitiv overfor ultrafiolett lys. Ta kontakt med legen hvis du er i tvil.
- Apparatet skal ikke brukes av personer som er solbrente eller har lett for å bli solbrente, av barn, eller av personer som har (eller har hatt) hudkreft eller som er disponert for hudkreft.
- Hvis det oppstår uventede virkninger som kløe innen 48 timer etter den første solingsøkten, bør du slutte å bruke solarieret og ta kontakt med lege.
- Ta kontakt med lege hvis det oppstår klumper eller sår som ikke forsvinner, eller hvis føflekker endrer farge.

- Når du soler deg, skal du alltid bruke beskyttelsesbrillene som følger med apparatet, slik at du beskytter øynene mot overeksponering (se også avsnittet UV-stråler og helse).
- Fjern eventuell krem, leppestift og annen kosmetikk i god tid før du bruker ansiktssolen.
- Ikke bruk solkrem eller selvbruningskrem.
- Hvis huden føles stram etter solingen, kan du bruke en fuktighetskrem.
- Farger kan falme når de utsettes for sollys. Bruk av dette apparatet kan ha samme virkning.
- Ikke forvent at apparatet gir bedre resultater enn naturlig sollys.

Elektromagnetiske felt (EMF)

Dette Philips-apparatet overholder alle standarder som gjelder for elektromagnetiske felt (EMF). Hvis det håndteres riktig og i samsvar med instruksjonene i denne brukerveiledningen, er det trygt å bruke det ut fra den kunnskapen vi har per dags dato.

Soling og helse

Solen

Solen utstråler ulike typer energi. Synlig lys gjør at vi kan se, ultrafiolett lys (UV) gjør at vi blir brune, og infrarødt lys (IR) i solstrålene gir varme.

Halvkroppssolarium

Med dette halvkroppssolariet kan du sole deg hjemme. En timer sikrer at hver økt ikke varer lenger enn 60 minutter. På samme måte som med naturlig sollys, bør du unngå å sole deg for lenge (se avsnittet om UV-stråler og helse).

UV-stråler og helse

På samme måte som med naturlig sollys tar det litt tid å bli brun. Virkningen begynner ikke å vise seg før etter flere solingsøkter (se Soling: hvor ofte og hvor lenge?).

Overeksponering for ultrafiolett lys (naturlig sollys eller kunstig lys fra solariet) kan forårsake solbrenthet.

I tillegg til mange andre faktorer, som overeksponering for naturlig sollys, kan overdreven og feil bruk av solarium øke risikoen for hud- og øyeproblemer. Graden av disse virkningene avhenger av formen, intensiteten og varigheten på eksponeringen, og følsomheten hos den aktuelle personen.

Jo mer huden og øynene eksponeres for UV-lys, jo større er risikoen for hornhinnebetennelse, øyekatar, skade på netthinnen, grå stær, for tidlig aldring av huden og utvikling av hudkreft. Enkelte legemidler og kosmetikkprodukter gjør huden mer følsom.

Derfor er det svært viktig

- at du følger instruksjonene i avsnittene Viktig og Soling: hvor ofte og hvor lenge?
- at du ikke overskrider maksimalt antall solingstimer per år (se avsnittet Soling: hvor ofte og hvor lenge?)
- at du alltid har på deg beskyttelsesbrillene når du bruker apparatet
- at avstanden under solingen (avstanden mellom UV-filteret og kroppen din) er minst 60 cm

Soling: hvor ofte og hvor lenge?

- Ikke bruk solariet mer enn én gang om dagen i en periode på fem til ti dager.
- La det gå minst 48 timer mellom den første og den andre solingsøkten.
- Etter en periode på 5–10 dager med soling anbefaler vi å ta en pause i solingen.
- Ca. én måned etter en solingsperiode vil huden ha mistet mye av brunfargen. Du kan da begynne å ta sol igjen.
- Hvis du vil holde brunfargen ved like, kan du fortsette å ta sol én eller to ganger i uken i stedet for å ta en pause.
- Uansett om du velger å ta en pause i solingen eller fortsetter å sole deg med lengre intervaller, må du alltid huske på at du ikke må overskride maksimalt antall soltimer.
- For dette apparatet er maksimalt antall 20 soltimer (= 1200 minutter) per år.

Eksempel

Tenk deg at du har en 10-dagers periode med en 8-minutters solingsøkt den første dagen og en 20-minutters solingsøkt de påfølgende ni dagene.

Hele kuren varer da $(1 \times 8 \text{ minutter}) + (9 \times 20 \text{ minutter}) = 188 \text{ minutter}$.

I løpet av ett år kan du ta 6 slike serier ($6 \times 188 \text{ minutter} = 1128 \text{ minutter}$).

- Det maksimale antall solingstimer gjelder selvfølgelig for hver enkelt del eller side av kroppen som soles (f.eks. baksiden og forsiden av kroppen).

Som vist i tabellen skal den første solingsøkten i en serie alltid være i 8 minutter; uavhengig av hudens følsomhet.

Lengden på solingsøkten for hver side/del av kroppen	for personer med svært ømfintlig hud	for personer med normalt ømfintlig hud	for personer med mindre ømfintlig hud
Første økt	8 minutter	8 minutter	8 minutter
pause i minst 48 timer	pause i minst 48 timer	pause i minst 48 timer	pause i minst 48 timer
Andre økt	10–15 minutter	20 minutter	25–30 minutter*
Tredje økt	10–15 minutter	20 minutter	25–30 minutter*
Fjerde økt	10–15 minutter	20 minutter	25–30 minutter*
Femte økt	10–15 minutter	20 minutter	25–30 minutter*
Sjette økt	10–15 minutter	20 minutter	25–30 minutter*
Sjuende økt	10–15 minutter	20 minutter	25–30 minutter*
Åttende økt	10–15 minutter	20 minutter	25–30 minutter*
Niende økt	10–15 minutter	20 minutter	25–30 minutter*
Tiende økt	10–15 minutter	20 minutter	25–30 minutter*

*eller lenger; avhengig av hvor følsom huden din er.

Hvis du synes at øktene blir for lange (huden blir stram og øm etter solingen), anbefaler vi å redusere øktene med f.eks. 5 minutter.

Hvis du vil ha en fin, jevn brunfarge, kan du snu litt på ansiktet og kroppen i løpet av økten. Det gjør at du får like mye sollys på begge sidene av ansiktet og kroppen.

Hvis huden føles stram etter solingen, kan du smøre deg med fuktighetskrem.

Bruke apparatet

1 Sett apparatet på et flatt og stabilt underlag.

2 Dra ledningen helt ut.

3 Sett støpselet inn i stikkkontakten.

4 Still deg foran apparatet.

5 Ta på deg beskyttelsesbrillene som følger med.

- Bruk bare disse beskyttelsesbrillene når du soler deg med et Philips-solarium. Ikke bruk dem i andre sammenhenger.
- Beskyttelsesbrillene er i samsvar med beskyttelsesgruppe II i henhold til direktiv 89/686/EF.

6 Kontroller avstanden mellom kroppen og solarieret.

- Under solingen må avstanden mellom UV-filteret og den delen av kroppen som soles, være minst 60 cm. (fig. 2)

- Bruk målebåndet for å kontrollere avstanden.

7 Slå på apparatet ved å stille timeren på ønsket solingstid (fig. 3).

Merk: Se avsnittet Soling: hvor ofte og hvor lenge? for riktige solingsperioder.

- ▶ **Når den forhåndsinnstilte tiden er ute, slår timeren automatisk av apparatet.**
- Hvis du vil sole flere deler av kroppen etter hverandre, kan du sette en ny tid før den angitte tiden er gått.
- Ved å stille timeren på nytt før den angitte tiden er gått, unngår du ventetiden på tre minutter som er nødvendig for at lysrøret skal kjøle seg ned.

8 Koble alltid fra apparatet etter bruk.

Tips: Hold oversikt over hvor mange økter du har hatt til sammen, på et papir.

Rengjøring

Trekk alltid støpslet ut av kontakten og la apparatet kjøles ned før rengjøring.

Bruk aldri skurebørster, skuremidler eller væsker som bensin eller acetone, til å rengjøre apparatet.

1 Rengjør utsiden av apparatet med en fuktig klut.

Ikke la det komme vann inn i apparatet.

2 UV-filteret kan rengjøres med en myk klut fuktet med metylsprit.

3 Rengjør beskyttelsesbrillene med en fuktig klut.

Oppbevaring

1 Koble fra apparatet.

2 La apparatet kjøle seg ned i 15 minutter før du setter det bort.

3 Kveil ledningen rundt ledningsholderen bak på apparatet (fig. 4).

Utskifting

Lampe

Lyset fra lysrøret blir noe svakere over tid (dvs. etter noen år med normal bruk). Når dette skjer, vil du merke at solingskapasiteten reduseres. Du kan da enten stille inn litt lengre solingstid eller skifte ut lysrøret.

Lysrøret skal bare skiftes av et servicesenter som er autorisert av Philips. Det er bare de som har den kunnskapen og kompetansen som trengs til dette arbeidet, og originaldeler til apparatet.

UV-filter

Bruk aldri dette apparatet når UV-filteret er ødelagt eller mangler.

Bytt alltid UV-filteret med én gang det er blitt skadet eller ødelagt.

UV-filteret skal skiftes av et servicesenter som er autorisert av Philips. Det er bare de som har den kunnskapen og kompetansen som trengs til dette arbeidet, og originaldeler til ansiktssolen.

Beskyttelsesbriller

Du kan bestille ekstrabriller, type HB071, under servicenummer 4822 690 80123.

Miljø

- Ikke kast apparatet som vanlig husholdningsavfall når det ikke kan brukes lenger. Lever det på en gjenvinningsstasjon. Slik bidrar du til å ta vare på miljøet (fig. 5).

- Lampen i dette apparatet inneholder stoffer som kan forurense miljøet. Når du kaster lampen, må du passe på å holde den skilt fra det vanlige husholdningsavfallet og kaste den på et godkjent innsamlingssted.

Garanti og service

Hvis du trenger service eller informasjon, kan du gå til Philips' Internett-sider på www.philips.com eller ta kontakt med Philips' kundestøtte der du er (du finner telefonnummeret i garantiheftet). Hvis det ikke finnes noen Philips-kundestøtte der du bor, kan du ta kontakt med den lokale Philips-forhandleren eller serviceavdelingen ved Philips Domestic Appliances and Personal Care BV.

Begrensninger i garantien

Lysrøret dekkes ikke av den internasjonale garantien.

Feilsøking

Hvis det skulle oppstå problemer med apparatet og du ikke kan løse dem ved hjelp av retningslinjene for feilsøking nedenfor, kan du kontakte nærmeste servicesenter eller kundetjeneste for Philips.

Problem	Løsning
Apparatet starter ikke.	Pass på at støpslet er satt skikkelig inn i stikkontakten. Det kan være problemer med strømmen. Kontroller om det er strøm i stikkontakten ved å koble til et annet apparat. Timeren er kanskje ikke stilt. Still timeren på riktig solingstid.
Dårlig bruningsresultat.	Lampen er kanskje for varm til å starte på nytt. La lampen kjøles ned i tre minutter før du slår den på igjen. Kanskje du bruker en skjøteledning som er for lang eller ikke har riktig spenning. Ta kontakt med forhandleren. Et generelt råd er å ikke bruke skjøteledning. Du har kanskje fulgt et solingsopplegg som ikke passer til hudtypen din. Kontroller tabellen i avsnittet Soling: hvor ofte og hvor lenge? Kanskje avstanden mellom lampen og kroppen din er større enn anbefalt. Når du har brukt lampen lenge, reduseres bruningseffekten. Dette blir bare merkbart etter noen år. Du løser problemet med å velge litt lengre solingsintervaller eller bytte lampen.

Introdução

Com este luxuoso solário de meio corpo, pode bronzear o rosto, os ombros e o decote. Possui uma potente lâmpada de alta pressão para obter resultados de bronzeamento mais rápidos e mais naturais. O aparelho possui uma fita métrica e um temporizador ajustável.

Descrição geral (fig. 1)

- A** Gancho de arrumação para os óculos de protecção
- B** Reflector
- C** Lâmpada para bronzear (tipo Philips HPA Flexpower 400-600)
- D** Filtro UV
- E** Óculos de protecção (2 pares) (referência HB071/nº serviço 4822 690 80123)
- F** Fita métrica
- G** Fio de alimentação com compartimento de arrumação
- H** Ventoinha
- I** Temporizador
- J** Pega

Importante

Leia este manual do utilizador com atenção, antes de utilizar o aparelho e guarde-o para uma eventual consulta futura.

- Verifique se a voltagem indicada no aparelho corresponde à voltagem eléctrica local antes de ligar o aparelho.
- Se o fio estiver danificado, deve ser sempre substituído pela Philips, por um centro de assistência autorizado pela Philips ou por pessoal devidamente qualificado para se evitarem situações de perigo.
- A água e a electricidade formam uma combinação perigosa. Não utilize este aparelho em ambientes húmidos (p. ex. na casa de banho ou perto de chuveiros ou piscinas).
- Se esteve a nadar ou acabou de tomar um duche, seque-se muito bem antes de utilizar o aparelho.
- Este aparelho não deve ser utilizado por pessoas com capacidades físicas, sensoriais ou mentais reduzidas, ou com falta de experiência e conhecimento, a não ser que lhes tenha sido dada supervisão ou instruções relativas à utilização do aparelho por uma pessoa responsável pela sua segurança.
- As crianças devem ser vigiadas para assegurar que não brincam com o aparelho.
- Desligue sempre da corrente após cada utilização.
- Deixe o aparelho arrefecer durante aproximadamente 15 minutos antes de o guardar.
- Certifique-se de que os orifícios de ventilação do aparelho e da pega na parte de trás do aparelho estão abertos durante a utilização.
- O aparelho dispõe de uma protecção automática contra aquecimento excessivo. Se o aparelho não estiver a ser refrigerado de forma adequada (por exemplo, se os orifícios de ventilação estiverem tapados), o aparelho desliga-se automaticamente. Assim que a causa de aquecimento excessivo for eliminada e o aparelho arrefecer, o aparelho volta a ligar-se automaticamente.
- Não exceda o tempo e o número máximo de horas de bronzeamento recomendados (consulte a secção 'Sessões de bronzeamento: frequência e duração?').
- Nunca utilize o aparelho se este não possuir filtro UV, se o filtro estiver danificado ou partido, ou se o temporizador estiver danificado.
- Não escolha uma distância de bronzeamento inferior a 60 cm.
- Não bronzeie uma parte específica do corpo mais do que uma vez por dia. No dia da sessão, evite uma exposição excessiva à luz solar natural.
- Não utilize este aparelho para bronzear se tiver uma doença e/ou se tomar medicação ou utilizar cosméticos que aumentem a sensibilidade da pele à luz ultravioleta. Deve ter um cuidado extra se for hipersensível à luz ultravioleta. Em caso de dúvida, consulte o seu médico.

- O aparelho não deve ser utilizado por pessoas que se queimam em vez de se bronzear quando expostas ao sol, por pessoas que sofram de queimaduras solares, por crianças ou por pessoas que sofram (ou já tenham sofrido) de cancro da pele ou que tenham predisposição para o cancro da pele.
- Interrompa a utilização do aparelho para bronzear e consulte o seu médico no caso de ocorrerem efeitos indesejados, como comichão, nas 48 horas seguintes à primeira sessão.
- Consulte o seu médico se lhe aparecerem inchaços ou feridas persistentes na pele, ou se houver alguma alteração em sinais/verrugas pigmentados.
- Durante a sessão de bronzeamento, utilize sempre os óculos de protecção fornecidos para evitar a exposição demasiado longa dos olhos (consulte também a secção 'Os raios UV e a sua saúde').
- Remova cremes, batom e outros cosméticos, bastante tempo antes de se submeter a uma sessão.
- Não aplique protectores solares nem bronzeadores.
- Se sentir a pele tensa e seca após a sessão de bronzeamento, pode aplicar creme hidratante.
- As cores podem desvanecer-se sob a influência do sol. O mesmo efeito pode ocorrer ao utilizar este aparelho.
- O aparelho não produz melhores resultados do que a luz natural do sol.

Campos Electromagnéticos - EMF (Electro Magnetic Fields)

Este aparelho Philips cumpre todas as normas relacionadas com campos electromagnéticos (EMF). Se for manuseado correctamente e de acordo com as instruções presentes no manual do utilizador, o aparelho proporciona uma utilização segura, como demonstrado pelas provas científicas actualmente disponíveis.

O bronzeamento e a sua saúde

O sol

O sol fornece vários tipos de energia. A luz visível permite-nos ver; a luz ultravioleta (UV) bronzeia-nos e a luz infravermelha (IV) dá-nos o calor sob o qual gostamos de nos espreguiçar.

Solário de meio corpo

Com este bronzeador de meio corpo pode bronzear-se confortavelmente em casa. Um temporizador garante que cada sessão não demora mais do que 60 minutos. Tal como acontece com a luz natural do sol, deve evitar a exposição demasiado longa (consulte a secção 'Os raios UV e a sua saúde').

Os raios UV e a sua saúde

Tal como acontece com a luz natural do sol, o processo de bronzeamento demora algum tempo. Os primeiros efeitos só se tornam visíveis após algumas sessões (consulte a secção 'Sessões de bronzeamento: frequência e duração?').

A exposição demasiado longa à luz ultravioleta (luz natural do sol ou luz artificial do aparelho para bronzear) pode provocar queimaduras.

Para além de muitos outros factores, como a exposição demasiado longa à luz natural do sol, a utilização incorrecta ou o abuso do aparelho para bronzear, podem aumentar o risco de problemas na pele e nos olhos. O grau de gravidade desses efeitos é determinado, por um lado, pela natureza, pela intensidade e pela duração da exposição e, por outro lado, pela sensibilidade da pessoa em questão.

Quanto maior for a exposição da pele e dos olhos à luz UV, maior é o risco de inflamações da córnea, conjuntivites, danos na retina, cataratas, envelhecimento prematuro da pele e desenvolvimento de tumores. Alguns medicamentos e cosméticos aumentam a sensibilidade da pele. Por conseguinte, é extremamente importante:

- que siga as instruções do capítulo 'Importante' e da secção 'Sessões de bronzeamento: frequência e duração?';

- que não exceda o número máximo de horas de bronzamento por ano (consulte a secção 'Sessões de bronzamento: frequência e duração?');
- que utilize sempre os óculos de protecção fornecidos durante as sessões;
- que a distância de bronzamento (distância entre o filtro UV e o seu corpo) seja de pelo menos 60 cm.

Sessões de bronzamento: frequência e duração?

- Não faça mais do que uma sessão de bronzamento por dia, durante um período de cinco a dez dias.
- Faça um intervalo de, pelo menos, 48 horas entre a primeira e a segunda sessão.
- No final de um período de 5 a 10 dias, é aconselhável interromper as sessões durante algum tempo.
- Aproximadamente um mês depois de um período de sessões, a pele já terá perdido a maior parte do bronzado. Pode, então, recomeçar um novo período de tratamento.
- Se pretender conservar sempre o bronzado, não interrompa as sessões depois de cada período de tratamento. Pode continuar, fazendo uma ou duas sessões por semana.
- Quer opte por não se bronzear durante algum tempo quer prefira continuar a bronzear-se com menos frequência, lembre-se sempre que não pode exceder o número máximo de horas de bronzamento.
- Para este aparelho, o máximo é de 20 horas (=1200 minutos) por ano.

Exemplo

Suponha que está a seguir um tratamento de 10 dias, com uma sessão de 8 minutos no primeiro dia e sessões de 20 minutos nos nove dias seguintes.

O tratamento durará $(1 \times 8 \text{ minutos}) + (9 \times 20 \text{ minutos}) = 188 \text{ minutos}$.

Num ano, pode fazer 6 períodos de tratamento, pois $6 \times 188 \text{ minutos} = 1128 \text{ minutos}$.

- Naturalmente, o número máximo de horas de bronzamento aplica-se a cada parte ou lado do corpo que está a ser bronzado (p.ex. a parte de trás e a parte da frente do corpo).

Na tabela podemos observar que a primeira sessão de um período de bronzamento deve ter uma duração de 8 minutos, independentemente da sensibilidade da pele.

Duração da sessão de bronzamento para cada lado/parte do corpo	para pessoas com pele muito sensível	para pessoas com pele normal	para pessoas com pele menos sensível
1.ª sessão	8 minutos	8 minutos	8 minutos
intervalo de pelo menos 48 horas	intervalo de pelo menos 48 horas	intervalo de pelo menos 48 horas	intervalo de pelo menos 48 horas
2.ª sessão	10-15 minutos	20 minutos	25-30 minutos*
3.ª sessão	10-15 minutos	20 minutos	25-30 minutos*
4.ª sessão	10-15 minutos	20 minutos	25-30 minutos*
5.ª sessão	10-15 minutos	20 minutos	25-30 minutos*
6.ª sessão	10-15 minutos	20 minutos	25-30 minutos*
7.ª sessão	10-15 minutos	20 minutos	25-30 minutos*
8.ª sessão	10-15 minutos	20 minutos	25-30 minutos*
9.ª sessão	10-15 minutos	20 minutos	25-30 minutos*
10.ª sessão	10-15 minutos	20 minutos	25-30 minutos*

* Ou mais, dependendo da sensibilidade da sua pele.

Se considerar que as sessões são muito longas para si (p. ex., se sentir a pele tensa e mole depois da sessão), recomenda-se que reduza a duração das sessões para, p. ex., 5 minutos.

Para obter um bronzado bonito e uniforme, de vez em quando deve virar o rosto e o corpo para a esquerda e para a direita. Ao fazê-lo, garante que os lados do rosto e do corpo são igualmente expostos.

Se sentir a pele ligeiramente tensa e seca após o bronzamento, pode aplicar creme hidratante.

Utilização do aparelho

- 1 Coloque o aparelho sobre uma superfície sólida, plana e estável.
- 2 Desenrole completamente o fio de alimentação.
- 3 Ligue a ficha à tomada eléctrica.
- 4 Coloque-se em frente ao aparelho.
- 5 Coloque os óculos de protecção fornecidos.
 - Utilize apenas estes óculos de protecção quando se bronzear com um aparelho para bronzear da Philips. Não o utilize para outras finalidades.
 - Os óculos de protecção estão conformes à classe de protecção II de acordo com a directiva 89/686/CEE.
- 6 Verifique a distância entre o seu corpo e o solário.
 - Durante a sessão de bronzamento, a distância entre o filtro UV e a parte do corpo que pretende bronzear deve ser de pelo menos 60 cm. (fig. 2)
 - Utilize a fita métrica para verificar a distância.
- 7 Ligue o aparelho, regulando o temporizador para o tempo de bronzamento pretendido (fig. 3).

Nota: Para saber quais são os tempos de bronzamento correctos, consulte a secção ‘Sessões de bronzamento: frequência e duração?’

- ▶ Quando o tempo definido tiver terminado, o temporizador desliga automaticamente o aparelho.
 - Se quiser bronzear mais partes do seu corpo sucessivamente, pode definir um novo tempo antes de o tempo anteriormente definido ter terminado.
 - Ao definir novamente o temporizador antes de terminar o tempo programado, evita o tempo de espera de 3 minutos necessário para que a lâmpada de bronzamento arrefeça.

- 8 Desligue sempre da corrente após cada utilização.

Sugestão: Mantenha o registo do número total de sessões já efectuadas numa folha de papel.

Limpeza

Antes de limpar o aparelho, desligue-o sempre da corrente e deixe-o arrefecer.

Nunca utilize esfregões, agentes de limpeza abrasivos ou líquidos agressivos, tais como petróleo ou acetona, para limpar o aparelho.

- 1 Limpe o exterior do aparelho com um pano húmido.

Não permita a entrada de água no aparelho.

- 2 Limpe o filtro UV com um pano macio humedecido com algumas gotas de álcool desnaturado.
- 3 Limpe os óculos de protecção com um pano húmido.

Arrumação

- 1** Desligue o aparelho da corrente.
- 2** Deixe que o aparelho arrefeça durante 15 minutos antes de o guardar.
- 3** Enrole o fio no respectivo compartimento na parte de trás do aparelho (fig. 4).

Substituição

Lâmpada

A luz emitida pela lâmpada para bronzear vai perdendo o brilho com o tempo (ou seja, após alguns anos de utilização normal). Quando isso acontecer, notará uma diminuição na capacidade de bronzeamento. Este problema pode ser resolvido aumentando ligeiramente o tempo das sessões ou, então, procedendo à substituição da lâmpada para bronzear.

A lâmpada só deve ser substituída por um centro de assistência autorizado pela Philips. Apenas eles possuem os conhecimentos e a experiência necessários para esse trabalho, bem como as peças de origem para o aparelho.

Filtro UV

Nunca utilize este aparelho se este não possuir filtro UV ou se o filtro UV estiver partido ou danificado.

Substitua imediatamente o filtro UV se este estiver danificado ou partido.

O filtro UV só deve ser substituído por um centro de assistência autorizado pela Philips. Apenas eles possuem os conhecimentos e a experiência necessários para esse trabalho, bem como as peças de origem para o bronzeador facial.

Óculos de protecção

Óculos de protecção adicionais ou de substituição, tipo HB071, podem ser encomendados com o código de serviço 4822 690 80123.

Ambiente

- Não deite fora o aparelho junto com o lixo doméstico normal no final da sua vida útil; entregue-o num ponto de recolha oficial para reciclagem. Ao fazê-lo ajuda a preservar o ambiente (fig. 5).
- A lâmpada deste aparelho contém substâncias que podem ser prejudiciais para o ambiente. Ao desfazer-se da lâmpada, não a deite fora junto com o lixo doméstico normal. Entregue-a num ponto de recolha oficial.

Garantia e assistência

Se precisar de informações ou se tiver algum problema, visite o site da Philips em www.philips.pt ou contacte o Centro de Atendimento ao Cliente Philips do seu país (encontrará o número de telefone no folheto da garantia mundial). Se não existir um Centro de Atendimento ao Cliente no seu país, dirija-se ao distribuidor Philips local ou contacte o Departamento de Assistência da Philips Domestic Appliances and Personal Care BV.

Restrições à garantia

A lâmpada para bronzear não está abrangida pelos termos da garantia internacional.

Resolução de problemas

Se ocorrerem problemas com este aparelho e não for capaz de os resolver através das indicações dadas a seguir, contacte o centro de assistência Philips mais próximo ou o Centro de Atendimento ao Cliente Philips do seu país.

Problema	Solução
O aparelho não arranca.	Certifique-se de que a ficha foi bem introduzida na tomada eléctrica.
	Pode haver falha de energia. Verifique se há corrente ligando outro aparelho.
	O temporizador pode não ter sido definido. Regule o temporizador para o tempo de bronzeamento adequado.
Os resultados não satisfazem.	A lâmpada pode estar ainda demasiado quente para reiniciar. Deixe que a lâmpada arrefeça durante 3 minutos antes de ligar novamente o aparelho.
	Provavelmente está a utilizar uma extensão demasiado comprida ou que não tem a voltagem correcta. Consulte o seu revendedor. Não recomendamos a utilização de uma extensão.
	Pode ter realizado um período de bronzeamento não adequado para o seu tipo de pele. Consulte a tabela na secção 'Sessões de bronzeamento: frequência e duração?'
	Talvez a distância entre a lâmpada e o seu corpo seja superior à recomendada.
	Ao fim de algum tempo de utilização da lâmpada, a capacidade de bronzeamento diminui. Este efeito só se torna perceptível passados alguns anos. Para resolver este problema, aumente o tempo das sessões ou substitua a lâmpada.

Introduktion

Med det här lyxiga halvkroppssolariet kan du sola ansiktet, axlarna och uringningen. Det har en kraftfull högtryckslampa för snabba och mer naturliga solningsresultat. Solariet har måttband och justerbar timer:

Allmän beskrivning (Bild 1)

- A** Förvaringskrok för skyddsglasögon
- B** Reflektor
- C** Solarielampa (modell Philips HPA flexpower 400-600)
- D** UV-filter
- E** Skyddsglasögon (2 par) (modellnummer HB071/service nummer 4822 690 80123)
- F** Måttband
- G** Nätsladd med sladdvinda
- H** Fläkt
- I** Timer
- J** Handtag

Viktigt

Läs användarhandboken noggrant innan du använder apparaten och spara den för framtida bruk.

- Kontrollera att den spänning som anges på apparaten överensstämmer med den lokala nätspänningen innan du ansluter apparaten.
- Om nätsladden är skadad måste den alltid bytas ut av Philips, ett av Philips auktoriserade serviceombud eller liknande behöriga personer för att undvika olyckor.
- Vatten och elektricitet är en farlig kombination. Använd inte apparaten i våta miljöer (t.ex. i badrummet eller i närheten av en dusch eller simbassäng).
- Om du precis har badat eller duschat ska du torka dig noggrant innan du använder solariet.
- Apparaten är inte avsedd att användas av personer med olika funktionshinder, eller av personer som inte har kunskap om hur apparaten används, om de inte övervakas eller får instruktioner om användning av apparaten av en person som är ansvarig för deras säkerhet.
- Små barn ska övervakas så att de inte kan leka med apparaten.
- Dra alltid ut nätsladden efter användning.
- Låt apparaten svalna i cirka 15 minuter innan du ställer undan den.
- Kontrollera att ventilationshålen på apparatens baksida och vid handtaget är öppna under användning.
- Apparaten har ett automatiskt överhettningsskydd. Om apparaten inte kyls ned ordentligt (t.ex. om ventilationshålen är övertäckta) slås apparaten av automatiskt. När du har tagit bort det föremål som orsakade överhettningen och apparaten har svalnat slås den på igen automatiskt.
- Överskrid inte den rekommenderade solningstiden och det maximala antalet solningstimmar (se avsnittet Solningstillfällen: hur ofta och hur länge?).
- Använd aldrig apparaten om UV-filtret är skadat, trasigt eller saknas eller om timern inte fungerar.
- Solningsavståndet måste vara minst 60 cm.
- Sola inte en viss del av kroppen mer än en gång om dagen. Utsätt dig inte för överdriven exponering av naturligt solljus samma dag som du använder solariet.
- Använd inte solariet om du är sjuk och/eller tar medicin eller använder kosmetika som ökar hudens känslighet för ultraviolett ljus. Var extra försiktig om du är överkänslig mot ultraviolett ljus. Tala med din läkare om du är tveksam.
- Solariet ska inte användas av personer som lätt bränner sig i solen, av personer som redan bränt sig i solen, av barn eller av personer som har eller nyligen har haft hudcancer eller som har anlag för hudcancer.

- Sluta använda solariet och rådfråga din läkare om oväntade reaktioner; t.ex. klåda, uppstår inom 48 timmar efter det första solningstillfället.
- Rådfråga din läkare om bestående knölar eller sår uppstår på huden eller om pigmentfläckar förändras.
- Använd alltid skyddsglasögonen som medföljer apparaten när du solar; så att ögonen skyddas mot överexponering (se även kapitlet UV och din hälsa).
- Ta bort krämer, läppstift och andra skönhetsprodukter i god tid innan du solar.
- Använd inte solskyddsmedel eller produkter som stimulerar solbränna.
- Om huden känns stram när du har solat kan du använda en fuktgivande kräm.
- Färger kan blekna i solen, och samma sak kan hända när du använder solariet.
- Förvänta dig inte att uppnå bättre resultat med solariet än när du solar utomhus.

Elektromagnetiska fält (EMF)

Den här apparaten från Philips uppfyller alla standarder för elektromagnetiska fält (EMF). Om apparaten hanteras på rätt sätt och enligt instruktionerna i den här användarhandboken är den säker att använda enligt de vetenskapliga belägg som finns i dagsläget.

Solning och din hälsa

Solen

Solen avger olika typer av energi. Synligt ljus gör att vi kan se, ultraviolett (UV) ljus gör oss solbrända och infrarött (IR) ljus förser oss med den värme som vi njuter av.

Halvkroppssolarium

Med det här halvkroppssolariet solar du bekvämt hemma. En timer hjälper dig så att varje solningspass inte blir längre än 60 minuter. Precis som vid naturligt solbadande ska man inte överexponera kroppen för strålarna (se kapitlet UV-strålning och din hälsa).

UV-strålning och din hälsa

Precis som när du solar utomhus tar det tid innan du blir brun. Effekterna av solningen syns först efter att du solat ett par gånger (se avsnittet Solningstillfällen: hur ofta och hur länge?). Om du utsätter dig för mycket ultraviolett ljus (naturligt solljus eller konstgjort ljus från solariet) kan du bränna dig.

Förutom många andra faktorer, som för mycket solljus, kan felaktig och överdriven användning av solariet ge hud- och ögonskador: Skadornas omfattning beror på vilken typ av ljus personen i fråga utsätts för; hur intensivt och hur länge samt hur känslig personen är.

Ju mer huden och ögonen utsätts för UV-ljus, desto större blir risken för hornhinneinflammation, bindhinneinflammation, skador på näthinnan, grå star; för tidigt åldrad hud och uppkomst av hudtumörer. Vissa mediciner och skönhetsprodukter kan göra huden extra känslig.

Därför är det mycket viktigt:

- att du följer instruktionerna i avsnittet Viktigt och Solningstillfällen: hur ofta och hur länge?
- att du inte överskrider det maximala antalet solningstimmar per år (se avsnittet Solningstillfällen: hur ofta och hur länge)
- att du alltid använder de medföljande skyddsglasögonen när du solar.
- att solningsavståndet (avståndet mellan UV-filtret och kroppen) är minst 60 cm.

Solningstillfällen: hur ofta och hur länge?

- Sola inte mer än ett pass om dagen, under en period på fem till tio dagar.
- Låt det gå minst 48 timmar mellan det första och det andra solningstillfället.
- Efter den här perioden på fem till tio dagar bör du inte sola på ett tag.
- Ungefär en månad efter en solningsperiod har huden förlorat det mesta av solbrännan. Du kan då påbörja en ny period.
- Om du vill behålla solbrännan slutar du inte efter en period utan fortsätter att sola en eller två gånger i veckan.

- Oavsett om du väljer att låta bli att sola ett tag eller om du fortsätter att sola vid färre tillfällen, så bör du komma ihåg att du inte ska överskrida det maximala antalet solningstimmar.
- För den här apparaten är det maximala antalet 20 solningstimmar (= 1 200 minuter) om året.

Exempel

Anta att du solar under en tiodagarsperiod och att du solar i åtta minuter den första dagen och i 20 minuter under resterande nio dagar:

Hela perioden omfattar då $(1 \times 8 \text{ minuter}) + (9 \times 20 \text{ minuter}) = 188 \text{ minuter}$.

Under ett år kan du sola i sex sådana perioder; eftersom $6 \times 188 \text{ minuter} = 1 128 \text{ minuter}$.

- Det maximala antalet solningstimmar gäller förstås varje del eller sida av kroppen som solas (t.ex. bak- och framsidan).

Som du ser i tabellen ska det första tillfället i en solningsperiod alltid vara åtta minuter; oavsett hudens känslighet.

Solningstillfällets längd för varje sida/del av kroppen	för personer med mycket känslig hud	för personer med normalkänslig hud	för personer med mindre känslig hud
1:a tillfället	8 minuter	8 minuter	8 minuter
minst 48 timmars uppehåll	minst 48 timmars uppehåll	minst 48 timmars uppehåll	minst 48 timmars uppehåll
2:a tillfället	10–15 minuter	20 minuter	25-30 minuter*
3:e tillfället	10–15 minuter	20 minuter	25-30 minuter*
4:e tillfället	10–15 minuter	20 minuter	25-30 minuter*
5:e tillfället	10–15 minuter	20 minuter	25-30 minuter*
6:e tillfället	10–15 minuter	20 minuter	25-30 minuter*
7:e tillfället	10–15 minuter	20 minuter	25-30 minuter*
8:e tillfället	10–15 minuter	20 minuter	25-30 minuter*
9:e tillfället	10–15 minuter	20 minuter	25-30 minuter*
10:e tillfället	10–15 minuter	20 minuter	25-30 minuter*

*) eller längre, beroende på hur känslig hud du har.

Om du tycker att solningstiderna är för långa (t.ex. om huden känns stram och känslig) bör du minska tiden med exempelvis fem minuter.

För en jämn och vacker solbränna bör du vända ansiktet och kroppen åt vänster och höger då och då. På så sätt försäkras du dig om att sidorna av ansiktet och kroppen också får färg.

Om huden stramar lite efter solningen kan du använda en fuktighetsbevarande kräm.

Använda apparaten

- 1 Ställ apparaten på en stabil och plan yta.
- 2 Linda ut nätsladden helt och hållet.
- 3 Sätt i stickkontakten i vägguttaget.
- 4 Sätt dig framför apparaten.
- 5 Ta på dig de medföljande skyddsglasögonen.
 - Använd skyddsglasögonen endast när du solar i ett solarium från Philips. Använd dem inte för något annat ändamål.

- Skyddsglasögonen uppfyller kraven för skyddsklass II enligt direktiv 89/686/EEG.

6 Kontrollera avståndet mellan dig och solariet.

- När du solar måste avståndet mellan UV-filtret och den del av kroppen som du solar vara minst 60 cm. (Bild 2)
- Kontrollera avståndet med hjälp av måttbandet.

7 Slå på apparaten genom att ställa in timern på den önskade solningstiden (Bild 3).

Obs! Se avsnittet Solningstillfällen: hur ofta och hur länge? för lämpliga solningstider.

► När den inställda tiden har gått stängs solariet automatiskt av.

- Om du vill sola fler delar av din kropp efter varandra kan du ställa in en ny tid innan den inställda tiden har förflutit.
- Genom att ställa in timern på en ny tid innan den förra har förflutit så undviker du den väntetid på tre minuter som är nödvändig för att lampan ska hinna svalna.

8 Dra alltid ut nätsladden efter användning.

Tips: Anteckna ditt totala antalet solningspass.

Rengöring

Dra alltid ur nätsladden och låt apparaten svalna innan du rengör den.

Använd aldrig skursvampar, slipande rengöringsmedel eller vätskor som bensin eller aceton till att rengöra enheten.

1 Rengör apparatens utsida med en fuktig trasa.

Låt inte vatten komma in i apparaten.

2 UV-filtret kan rengöras med en mjuk trasa som fuktats med denaturerad sprit.

3 Rengör skyddsglasögonen med en fuktig trasa.

Förvaring

1 Dra ur nätsladden.

2 Låt apparaten svalna i 15 minuter innan du ställer undan den.

3 Linda sladden runt sladdhållaren på apparatens baksida (Bild 4).

Byten

Lampa

Solarielampans effektivitet avtar med tiden (dvs. efter några år vid normal användning). När det sker märker du att solariets effekt minskar. Du kan då antingen sola lite längre vid varje tillfälle eller byta ut lampan.

Låt alltid ett auktoriserat Philips-serviceombud byta ut solarielampan. De är de enda som har nödvändiga kunskaper och originalreservdelar för solariet.

UV-filter

Använd aldrig den här apparaten om UV-filtret är trasigt, skadat eller om det saknas.

Byt omedelbart ut UV-filtret om det är skadat eller trasigt.

Låt alltid ett auktoriserat Philips-serviceombud byta ut UV-filtret. De är de enda som har nödvändiga kunskaper och originalreservdelar för solariet.

Skyddsglasögon

Du kan beställa nya skyddsglasögon (typ HB071) under servicenummer 4822 690 80123.

Miljön

- Kasta inte apparaten i hushållssoporna när den är förbrukad. Lämna in den för återvinning vid en officiell återvinningsstation, så hjälper du till att skydda miljön (Bild 5).
- Apparaten lampas innehåller substanser som kan skada miljön. När du kasserar lampan ska du inte kasta den i de vanliga hushållssoporna utan lämna in den vid en återvinningsstation.

Garanti och service

Om du behöver information eller har något problem med apparaten kan du besöka Philips webbplats på www.philips.com eller kontakta Philips kundtjänstcenter i ditt land (du hittar telefonnumret i garantibroschyren). Om det inte finns något kundtjänstcenter i ditt land vänder du dig till närmaste Philips-återförsäljare eller kontaktar serviceavdelningen på Philips Domestic Appliances and Personal Care BV.

Garantibegränsningar

De internationella garantivillkoren gäller inte för solarielampan.

Felsökning

Om du får problem med apparaten och inte kan lösa dem med hjälp av nedanstående information ber vi dig att kontakta närmaste Philips-serviceombud eller Philips kundtjänstcenter i ditt land.

Problem	Lösning
Apparaten startar inte.	Se till att kontakten är ordentligt isatt i vägguttaget. Det kan vara strömavbrott. Kontrollera att strömförsörjningen fungerar genom att ansluta en annan apparat. Timern kanske inte har ställts in. Ställ in timern på lämplig solningstid.
	Lampan kanske fortfarande är för varm för att startas om. Låt lampan svalna i tre minuter innan du slår på den igen.
Dåligt solningsresultat.	Du kanske använder en förlängningssladd som är för lång eller så har du inte rätt strömkapacitet. Kontakta återförsäljaren. Vi rekommenderar i allmänhet inte att du använder förlängningssladd. Du kanske har följt ett solningsschema som inte är lämpligt för din hudtyp. Läs tabellen i avsnittet Solningstillfällen: hur ofta och hur länge? Avståndet mellan dig och lampan är kanske större än rekommenderat. När solarielampan har använts under lång tid minskar solningseffekten. Detta märks först efter flera års användning. Du kan då antingen sola lite längre vid varje tillfälle eller byta ut lampan.

Giriş

Bu lüks yarım vücut solaryumuyla, yüzünüzü, omuzlarınızı ve dekolte bölgeleri bronzlaştırabilirsiniz. Hızlı ve daha doğal görünümlü bronzlaşma için güçlü, yüksek basınçlı bir lamba kullanılmıştır. Cihazda bir mesafe ölçer ve ayarlanabilir zamanlayıcı bulunmaktadır.

Genel Açıklamalar (Şek. 1)

- A** Gözlük için saklama kancası
- B** Yansıtıcı
- C** Bronzlaşma lambası (Philips HPA flexpower 400-600 tipi)
- D** UV filtre
- E** Koruyucu gözlükler (2 adet) (tip no. HB071/servis no. 4822 690 80123)
- F** Ölçüm bandı
- G** Kablo sarma özellikli ana kablo
- H** Fan
- I** Zamanlayıcı
- J** Sap

Önemli

- Cihazı kullanmadan önce bu kullanım kılavuzunu okuyun ve gelecekte de başvurmak üzere saklayın.
- Cihazı fişe takmadan önce, üstünde yazılı olan gerilimin, evinizdeki şebeke gerilimiyle uygun olup olmadığını kontrol edin.
 - Cihazın elektrik kablosu hasarlıysa, bir tehlike oluşturmasını önlemek için mutlaka Philips'in yetki verdiği bir servis merkezi veya benzer şekilde yetkili kişiler tarafından değiştirilmesini sağlayın.
 - Su ve elektrik tehlikeli bir birleşimdir. Dolayısı ile cihazı kesinlikle ıslak mekanlarda (örneğin banyoda, duş veya havuz yakında) kullanmayın.
 - Eğer yüzdüyseniz veya henüz yeni duş aldıysanız, cihazı kullanmadan önce iyice kurulanın.
 - Bu cihaz, güvenliklerinden sorumlu kişilerin nezareti veya talimatları dışında, fiziksel, motor ya da zihinsel becerileri gelişmemiş veya bilgi ve tecrübe açısından eksik kişiler tarafından (çocuklar da dahil) kullanılmamalıdır.
 - Küçük çocukların cihazla oynamaları engellenmelidir.
 - Kullanım sonrasında, cihazı her zaman prizden çekin.
 - Cihazı kaldırmadan önce yaklaşık 15 dakika soğumasını bekleyin.
 - Cihazı kullanırken, cihazın arkasında ve tutma yerinde bulunan hava deliklerinin tıkanmamış olduğundan emin olun.
 - Yüz bronzlaştırıcıda aşırı ısınmaya karşı otomatik bir koruma bulunmaktadır. Cihazın yeterince soğutulmaması durumunda (örneğin havalandırma delikleri kapanmış olabilir), yüz bronzlaştırıcı otomatik olarak kapanır. Aşırı ısınma sorunu çözüldükten ve cihaz soğuduktan sonra, tekrar otomatik olarak açılır.
 - Önerilen bronzlaşma seans sürelerini ve maksimum bronzlaşma seans sayısını (bkz. 'Bronzlaşma: ne sıklıkta ve ne kadar süreyle?') aşmayın.
 - UV filtre hasarlı veya kırksa ya da yoksa veya zamanlayıcı çalışmıyorsa cihazı kullanmayın.
 - Bronzlaşma mesafesini 60 cm'den daha kısa seçmeyin.
 - Yüzünüzü, günde bir kezden fazla bronzlaşmaya tabi tutmayın. Aynı gün içinde doğal güneş ışığına uzun süreli maruz kalmaktan sakının.
 - Cildinizin hassasiyetini artıran bir hastalığınız varsa ve/veya ilaç ya da kozmetik ürünler kullanıyorsanız bronzlaşma cihazını kullanmayın. UV ışınlarına karşı aşırı duyarlıysanız, çok daha dikkatli olmalısınız. Şüphe halinde doktorunuza başvurun.
 - Bu cihaz, güneşe çıktıklarında bronzlaşmadan güneş yanığı gözlenebilen kişiler; güneş yanığı ile karşılaşmış kişiler; çocuklar veya deri kanseri olan (veya önceden olan) kişiler tarafından veya deri kanserine yakalanma riski olan kişilerce kullanılmamalıdır.

- İlk seanstan sonraki 48 saat içinde kaşınma gibi beklenmedik etkiler görülürse, bronzlaşma cihazını kullanmayın ve doktorunuza başvurun.
- Cilt üzerinde kalıcı yumrular ya da yaralar oluşursa veya benlerinizde değişiklik olursa doktorunuza başvurun.
- Bronzlaşma sırasında gözlerinizin aşırı derecede ışınlarla maruz kalmaması için cihazla birlikte verilen koruyucu gözlüğü kullanın (ayrıca bkz.'UV ve sağlığı'nın' bölümü).
- Bronzlaşma seansından yeterince önce yüzünüzdeki krem, ruj ve diğer kozmetikleri silin.
- Güneş kremleri ya da bronzlaşma hızlandırıcıları kullanmayın.
- Eğer bronzlaşma seansından sonra cildinizde gerginlik hissederseniz, cildinize nemlendirici krem sürebilirsiniz.
- Renkler güneşin etkisiyle solabilir. Aynı etki cihazı kullanırken de oluşabilir.
- Cihazın doğal güneş ışığından daha iyi sonuç vermesini beklemeyin.

Elektromanyetik alanlar (EMF)

Bu Philips cihazı elektromanyetik alanlarla (EMF) ilgili tüm standartlarla uyumludur. Bu cihaz, gereği gibi ve bu kılavuzdaki talimatlara uygun şekilde kullanıldığında, bugünün bilimsel verilerine göre kullanımı güvenlidir.

Bronzlaşma ve sağlığınız

Güneş

Güneş farklı tiplerde enerji sağlar. Görünür ışık görmemizi sağlarken, ultraviyole (UV) ışık bronzluk verir ve güneş ışınlarındaki kızılötesi (IR) ışık, altında uzanıp güneşlendiğimiz ısının kaynağıdır.

Kısa solaryum

Bu cihaz ile evde rahatlıkla bronzlaşabilirsiniz. Zamanlayıcı sayesinde her seansınızı 60 dakikadan fazla olmayacak şekilde ayarlamamız mümkündür. Doğal güneş ışığında da olduğu gibi kendinizi aşırı derecede ışınlarla maruz bırakmayın.

UV ve sağlığınız

Doğal güneş ışığında olduğu gibi, bronzlaşma işlemi biraz zaman alacaktır. İlk etki, sadece bir kaç seans sonrasında (Bkz.'Bronzlaşma seansları: ne sıklıkta ve ne kadar süreyle?') fark edilir olacaktır. UV ışığına (Doğal güneş ışığı veya bronzlaşma cihazından gelen suni ışık) aşırı maruz kalmak güneş yanığına sebep olabilir.

Bunun yanında, doğal güneş ışığına aşırı maruz kalmak, cihazın yanlış ve aşırı kullanımı gibi diğer bir çok etken, deri ve göz problemi risklerini artırabilir. Bu etkilerin oluşum dereceleri, maruz kalınma şekline, şiddetine ve süresine göre değiştiği gibi, kişinin hassasiyetiyle de ilgilidir.

Deri ve gözler UV ışığına daha çok maruz bırakıldıkça, keratit, konjunktiva iltihabı, retina bozukluğu, katarakt, erken deri yaşlanması ve deri tümörleri oluşma riski artar. Bazı ilaçlar ve kozmetikler derinin hassasiyetini artırır.

Bu yüzden, aşağıdaki noktalar çok önemlidir:

- 'Önemli' ve 'Bronzlaşma seansları: ne sıklıkta ve ne kadar süreyle?' bölümlerinde verilen talimatlar uygun hareket etmeniz oldukça önemlidir;
- Önerilen bronzlaşma seans sürelerini ve maksimum bronzlaşma seans sayısını (bkz.'Bronzlaşma: ne sıklıkta ve ne kadar süreyle?') aşmayın.
- bronzlaşma esnasında, verilen gözlükleri mutlaka takın.
- bronzlaşma mesafesi (UV filtre ve vücut arasındaki mesafe) en az 60 cm olmalıdır.

Bronzlaşma seansları: ne sıklıkta ve ne kadar süreyle?

- Beş ile on günlük bir süre boyunca, günde birden fazla bronzlaşma seansı uygulamayın.
- Birinci ve ikinci seans arasında en az 48 saat ara verin.
- Bu 5 - 10 günlük uygulamadan sonra, bronzlaşmaya bir süre ara vermenizi öneririz.
- Uygulamadan yaklaşık bir ay sonra, cildiniz bronzluğunu yitirecektir.Yeni bir uygulamaya başlayabilirsiniz.

70 TÜRKÇE

- Bronzluğunuzu korumak istiyorsanız, bronzlaşmayı tamamen bırakmayın, fakat haftada bir veya iki kez uygulamaya devam edin.
- Bronzlaşmaya bir süre ara verseniz veya düşük frekansta bronzlaşma uygulasanız dahi, maksimum bronzlaşma süresini aşmamanız gerektiğini aklınızdan çıkarmayın.
- Bu cihaz için, yıllık maksimum bronzlaşma seans saati 20 saattir (=1200 dakika).

Örnek

Birinci gün 8 dakika ve takip eden dokuz gün boyunca 20 dakikalık seanslar uyguladığınız, 10 günlük bir bronzlaşma seansı uyguladığınızı farz edin.

Tüm uygulama (1 x 8 dakika) + (9 x 20 dakika) = 188 dakika sürer.

Bir yıl içinde bu uygulamayı 6 kere tekrarlayabilirsiniz (6 x 188 dakika = 1128 dakika gibi).

- Maksimum bronzlaşma saati, vücudun her bölgesi için uygulanabilecek bronzlaşan vücut bölgesine göre değişiklik gösterir (örneğin, sırt ve vücudun ön kısmı).

Tabloda gösterildiği gibi, bronzlaşma uygulamasının ilk seansı cildin hassasiyetinden bağımsız olarak mutlaka 8 dakika sürmelidir.

Vücudun farklı bölgeleri için bronzlaşma seanslarının süresi	çok hassas ciltli kişiler için	normal hassas ciltli kişiler için	az hassas ciltli kişiler için
1. seans	8 dakika	8 dakika	8 dakika
en az 48 saatlik ara	en az 48 saatlik ara	en az 48 saatlik ara	en az 48 saatlik ara
2. seans	10-15 dakika	20 dakika	25-30 dakika*
3. seans	10-15 dakika	20 dakika	25-30 dakika*
4. seans	10-15 dakika	20 dakika	25-30 dakika*
5. seans	10-15 dakika	20 dakika	25-30 dakika*
6. seans	10-15 dakika	20 dakika	25-30 dakika*
7. seans	10-15 dakika	20 dakika	25-30 dakika*
8. seans	10-15 dakika	20 dakika	25-30 dakika*
9. seans	10-15 dakika	20 dakika	25-30 dakika*
10. seans	10-15 dakika	20 dakika	25-30 dakika*

*Veya cildinizin hassasiyetine bağlı olarak daha uzun süre.

Eğer seansların sizin için çok uzun olduğunu düşünüyorsanız (örn. cildiniz seans sonrasında gerginleşiyor ve hassaslaşıyorsa), seans sürelerini örneğin 5 dakikaya azaltmanızı öneririz.

Güzel, eşit bir bronzlaşma için, vücudunuzu seans sırasında hafifçe çevirerek, vücudun yan bölgelerinin solaryum ışığına eşit bir şekilde maruz kalmasını sağlayın.

Bronzlaşma seansı sonrasında cildinizde gerginlik hissederseniz, cildinize nemlendirici bir krem sürebilirsiniz.

Cihaz kullanımı

- 1 Cihazı sert, düz ve sabit bir yüzey üzerine yerleştirin.
- 2 Elektrik kordonunu tamamen açın.
- 3 Fişi prize takınız.
- 4 Cihazın önünde konumunuzu alın.
- 5 Verilen koruyucu gözlükleri takın.

- Bu koruyucu gözlükleri sadece Philips bronzlaşma cihazını kullanarak bronzlaşırken kullanın. Başka amaçlar için kullanmayın.
- Koruyucu gözlükler, 89/686/EEC talimatlarına göre koyucu sınıf II maddesiyle uyumludur.

6 Solaryum cihazı ile vücudunuz arasındaki mesafeyi kontrol edin.

- Bronzlaşma sırasında, UV filtresi ile vücudun bronzlaşan bölümü arasındaki mesafe en az 60 cm olmalıdır. (Şek. 2)
- Mesafeyi kontrol etmek için ölçüm bandını kullanın.

7 Zamanlayıcıyı istenilen bronzlaşma zamanına ayarlayarak cihazı açın (Şek. 3).

Not: Doğru bronzlaşma süreleri için, bkz. 'Bronzlaşma seansları: ne sıklıkta ve ne kadar süreyle?'

► Ayarlanan zaman dolduğunda, zamanlayıcı otomatik olarak cihazı kapatacaktır.

- Sırasıyla vücudunuzun diğer bölümlerini de bronzlaştırmak için, ayarlanmış olan zaman dolmadan önce yeni bir zaman ayarlayabilirsiniz.
- Ayarlanmış zaman dolmadan önce zamanlayıcıyı yeniden ayarladığınızda, bronzlaşma lambalarının soğuması için gerekli olan 3 dakikalık bekleme zamanını iptal etmiş olursunuz.

8 Kullanım sonrasında, cihazı her zaman prizden çekin.

İpucu: Girdiğiniz seansların sayısını bir çizelge şeklinde kaydederek saklayabilirsiniz.

Temizleme

Cihazı temizlemeden önce, mutlaka fişini prizden çekin ve soğumaya bırakın.

Cihazı temizlemek için ovalama bezleri, benzin veya aseton gibi aşındırıcı temizlik ürünleri veya zarar verici sıvılar kullanmayın.

1 Cihazın dış tarafını nemli bir bezle temizleyin.

Cihazın içine su girmesini engelleyin.

2 UV filtresini, biraz metil katılmış ispiroto ile ıslatılmış yumuşak bir bezle temizleyebilirsiniz.

3 Koruyucu gözlükleri nemli bir bezle temizleyin.

Saklama

1 Cihazı prizden çıkartın.

2 Cihazı kaldırmadan önce yaklaşık 15 dakika soğumasını bekleyin.

3 Elektrik kordonunu cihazın arkasında bulunan kordon saklama bölmesine sarın (Şek. 4).

Değiştirme

Lamba

Bronzlaştırıcı lambalar tarafından yayılan ışık zamanla parlaklığını kaybeder (örn. normal kullanımda birkaç yıl sonra). Bu durum meydana geldiğinde, cihazın bronzlaştırma kapasitesindeki azalmayı fark edeceksiniz. Bu sorunu daha uzun bronzlaşma süreleri ayarlayarak veya bronzlaştırıcı lambaları değiştirerek çözebilirsiniz.

Bronzlaştırıcı lambalar her zaman yetkili Philips servis merkezi tarafından değiştirilmelidir. Bu iş için gerekli bilgiye, deneyime sahip kişiler ve bronzlaştırıcınız için gerekli orijinal yedek parçalar yalnızca yetkili servisten sağlanabilir.

UV filtre

UV filtresinin bozuk ve hasarlı olduğu veya bulunmadığı durumlarda cihazı kesinlikle kullanmayın.

UV filtresi bozulduğu veya hasar gördüğü zaman hemen yenisiyle değiştirin.

UV filtresi her zaman yetkili Philips servis merkezi tarafından değiştirilmelidir. Bu iş için gerekli bilgiye, deneyime sahip kişiler ve yüz bronzlaştırıcınız için gerekli orijinal yedek parçalar yalnızca yetkili servisten sağlanabilir.

Koruyucu gözlük

HB071 model numaralı ilave veya değiştirme amaçlı gözlükler, 4822 690 80123 servis numarası altında temin edilebilir.

Çevre

- Kullanım ömrü sonunda, cihazı normal evsel atıklarınızla birlikte atmayın; bunun yerine, geri dönüşüm için resmi toplama noktalara teslim edin. Böylece, çevrenin korunmasına yardımcı olursunuz (Şek. 5).
- Cihazın lambası, doğaya zarar verebilecek maddeler içermektedir. Bu nedenle, lambayı atacağınız zaman, normal ev atıklarıyla birlikte atmayın ve resmi toplama noktasına teslim edin.

Garanti ve servis

Daha fazla bilgiye ihtiyaç duyarsanız veya bir problem ile karşılaşırsanız, lütfen www.philips.com.tr adresindeki Philips web sitesini ziyaret edin veya ülkenizde bulunan Philips Müşteri Danışma Merkezi ile iletişime geçin (telefon numaralarını dünya çapında garanti kitapçığınızda bulabilirsiniz). Eğer ülkenizde Müşteri Danışma Merkezi yoksa, yerel Philips yetkilinize başvurun veya Philips Ev Aletleri ve Kişisel Bakım BV Servis Departmanı ile iletişime geçin.

Garanti sınırlamaları

Bronzlaştırıcı lambalar uluslararası garanti kapsamı dahilinde değildir.

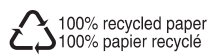
Sorun giderme

Bu cihaz ile ilgili olarak karşılaştığınız sorunlar aşağıda verilen bilgiler yardımıyla çözülemiyorsa, lütfen size en yakın Philips servisine veya ülkenizdeki Philips Müşteri Destek Merkezine başvurun.

Sorun	Çözüm
Cihaz açılmıyor.	Cihazın fişinin doğru olarak prize takılıp takılmadığını kontrol edin. Elektrik arızası olabilir. Elektriğin çalışıp çalışmadığını, başka bir cihaz bağlayarak kontrol edin. Zamanlayıcı ayarlanmamış olabilir. Zamanlayıcıyı uygun bronzlaşma zamanına ayarlayın.
Başarsız bronzlaşma sonuçları	Lamba hala tekrar başlayamayacak kadar sıcak olabilir. Tekrar açmadan önce 3 dakika kadar lambanın soğumasını bekleyin. Kullandığınız uzatma kablosu çok uzun olabilir ve/veya doğru akım ayarında olmayabilir. Satıcınıza danışın. Genel tavsiyemiz, uzatma kablosu kullanmamanız şeklindedir. Bronzlaşma uygulamanız, cilt tipiniz için uygun olmayabilir. 'Bronzlaşma seansları: ne sıklıkta ve ne kadar süreyle?' bölümündeki tabloya göz atın. Lamba ile vücudunuz arasındaki mesafe belirtilenden daha uzun olabilir.
	Lambalar uzun süredir kullanılmaktaysa, bronzlaştırma kapasitesi azalır. Bu etki ancak birkaç yıl sonra fark edilir. Bu sorunu gidermek için, biraz daha uzun bir bronzlaştırma süresi seçin veya lambaların değiştirilmesini sağlayın.



www.philips.com



4222.002.6687.1