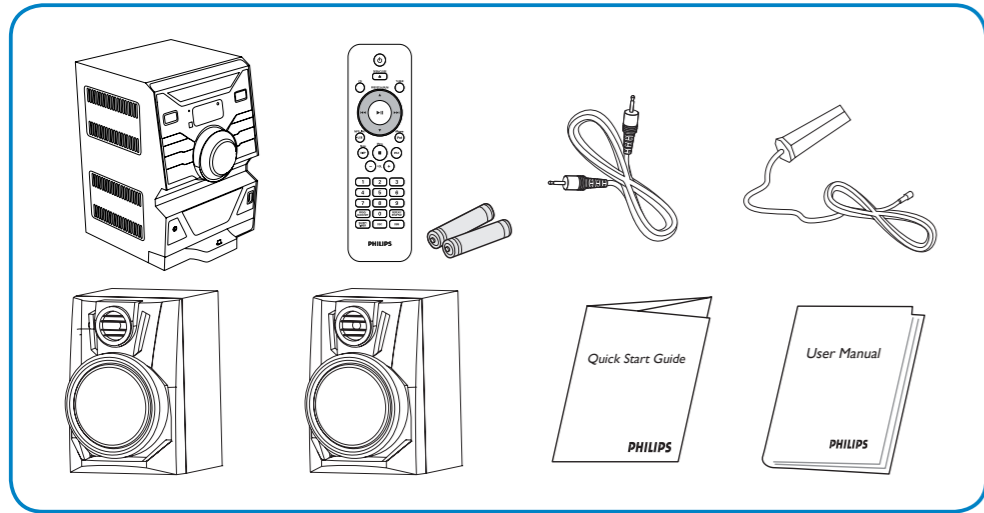


Always there to help you

Register your product and get support at

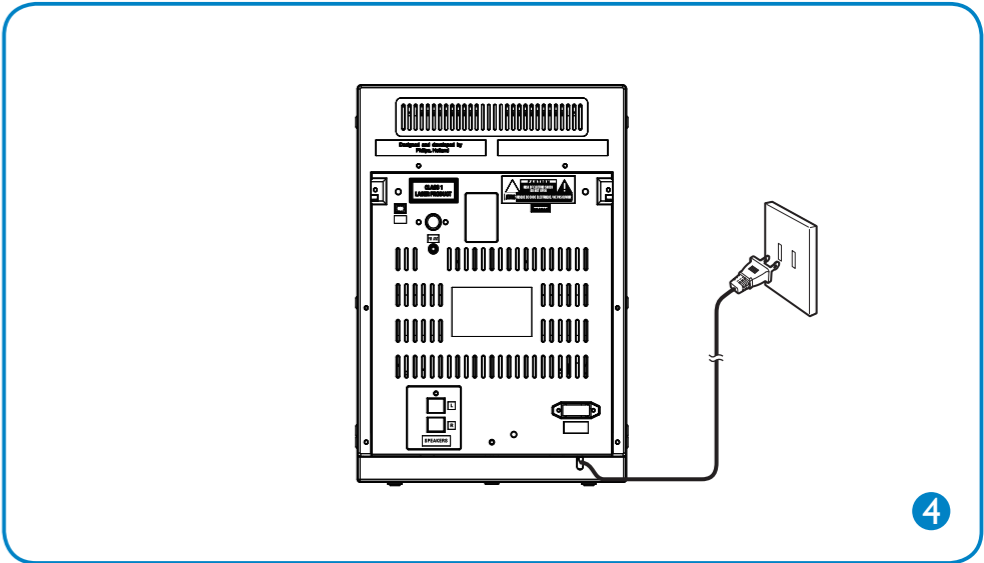
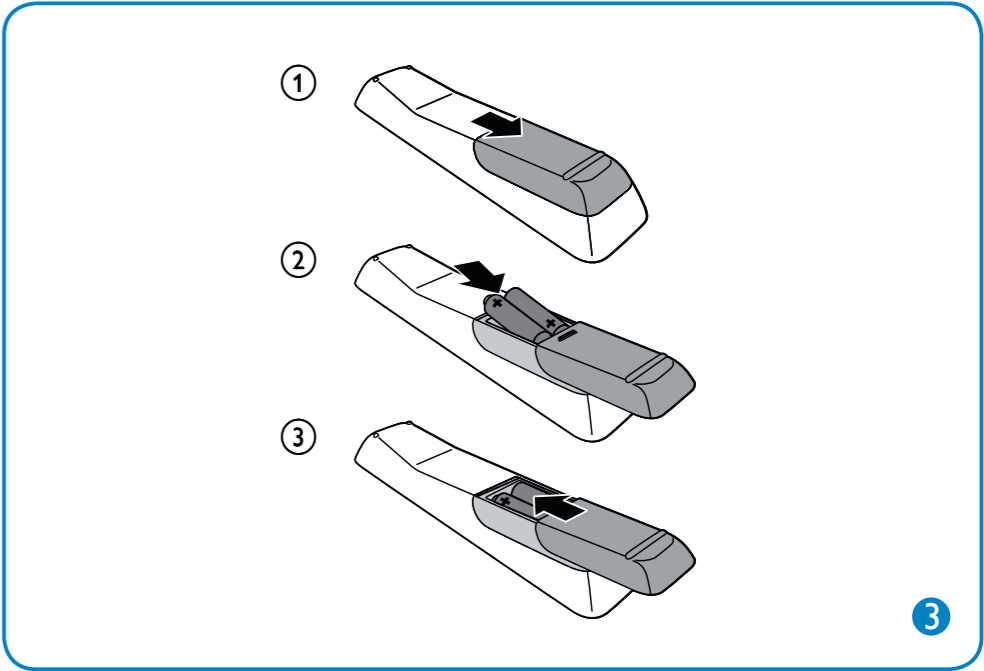
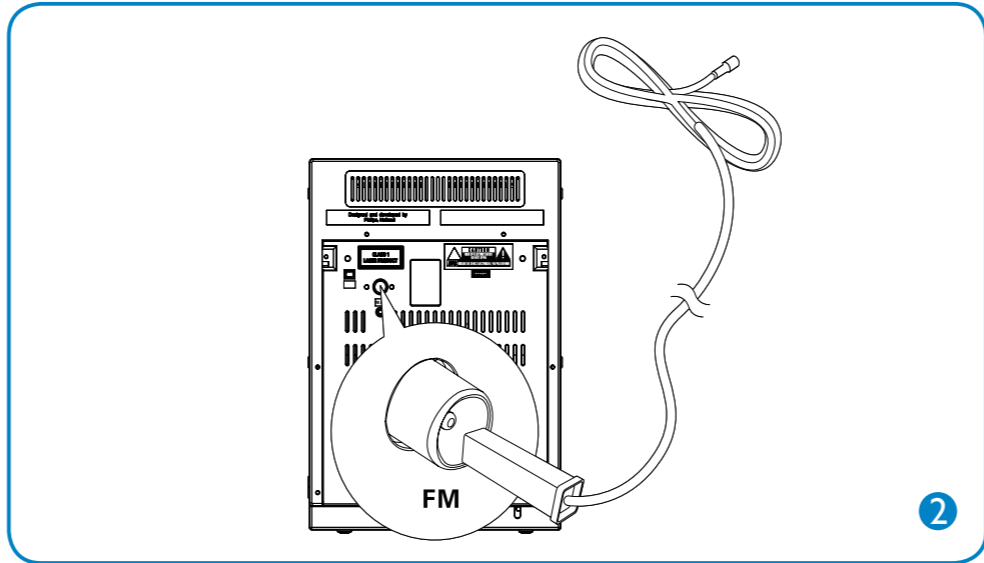
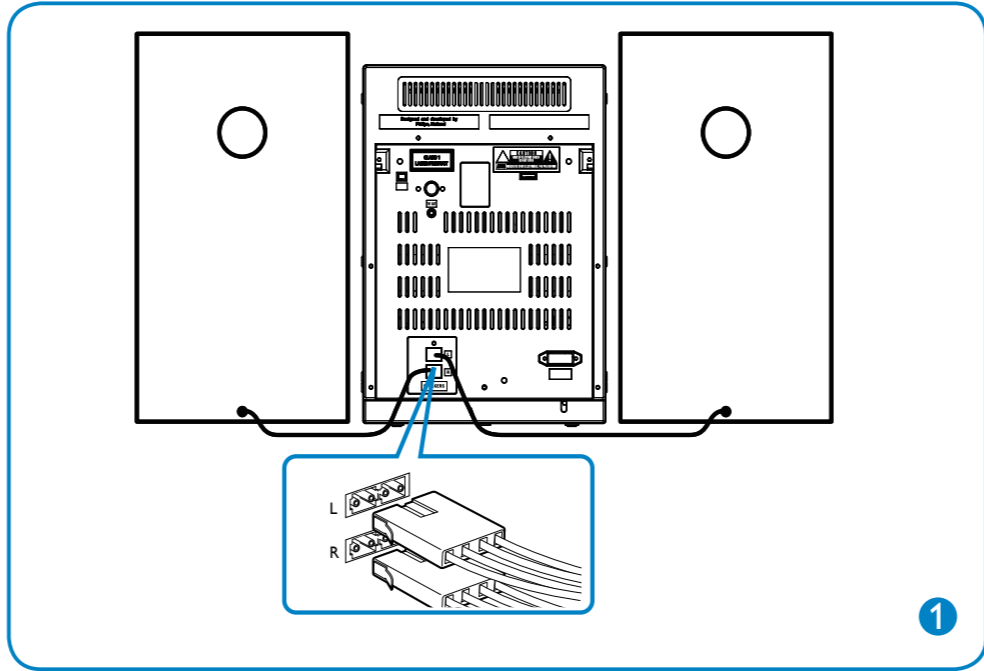
[www.philips.com/welcome](http://www.philips.com/welcome)

FWM400D

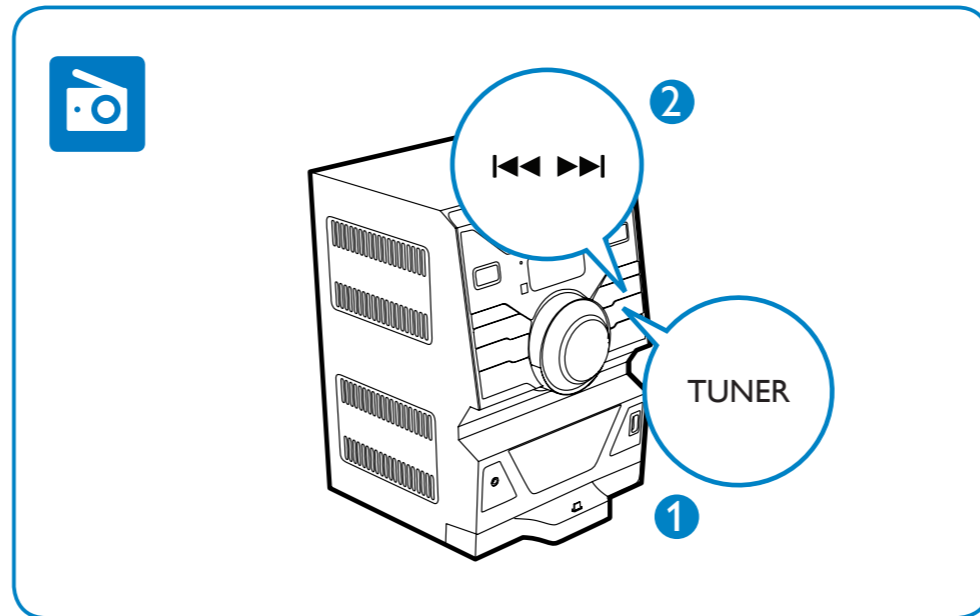
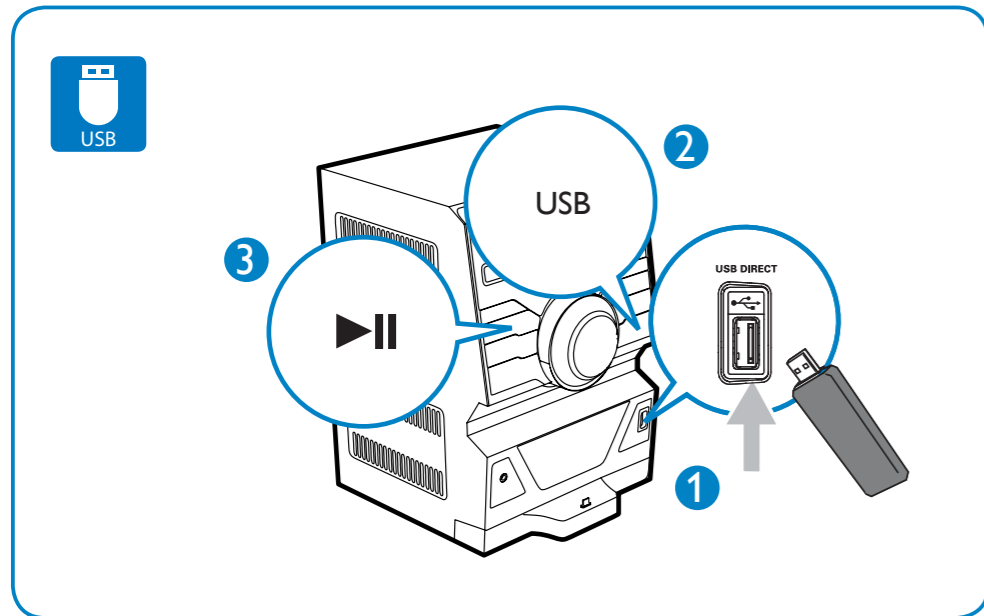
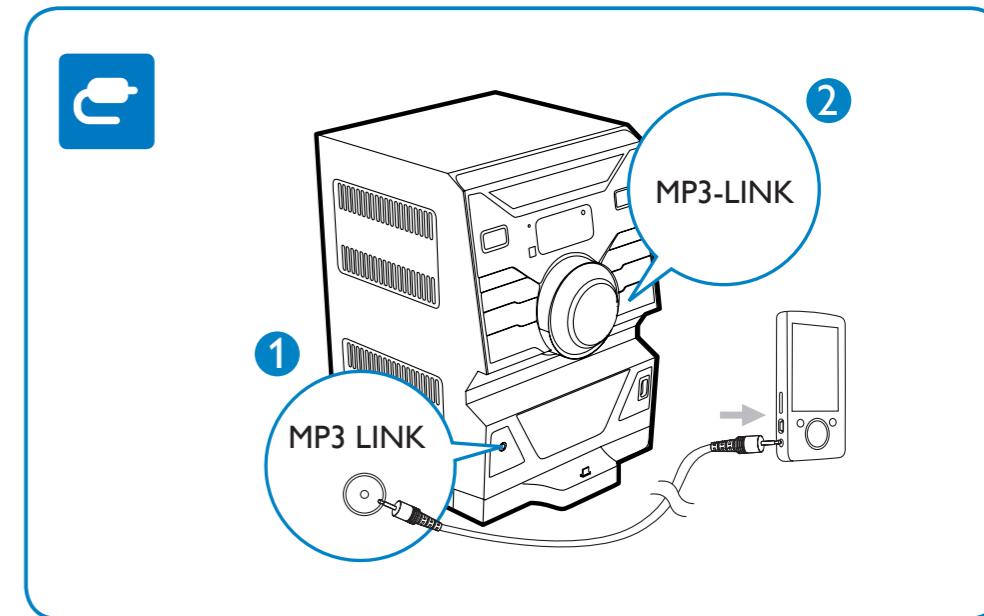
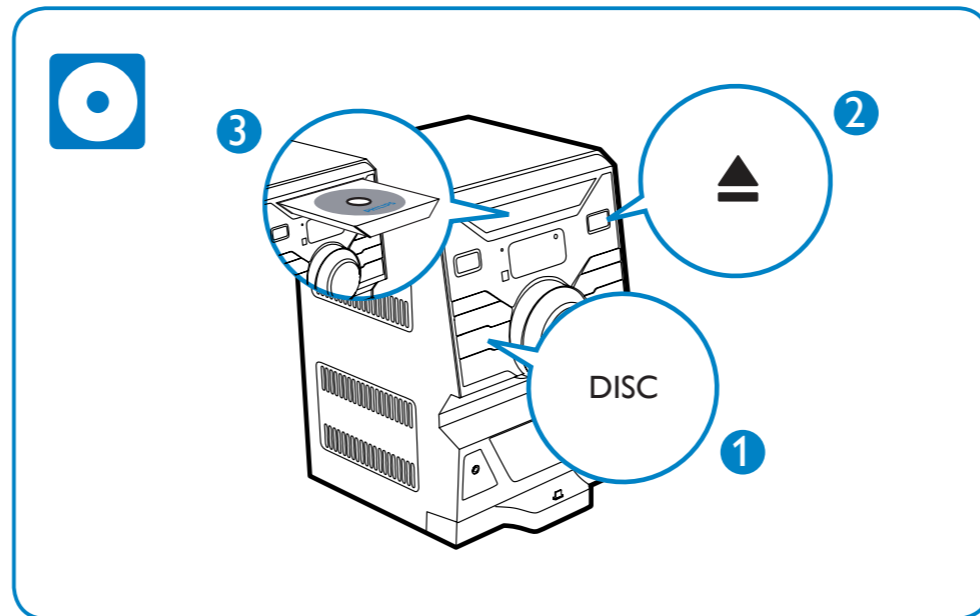
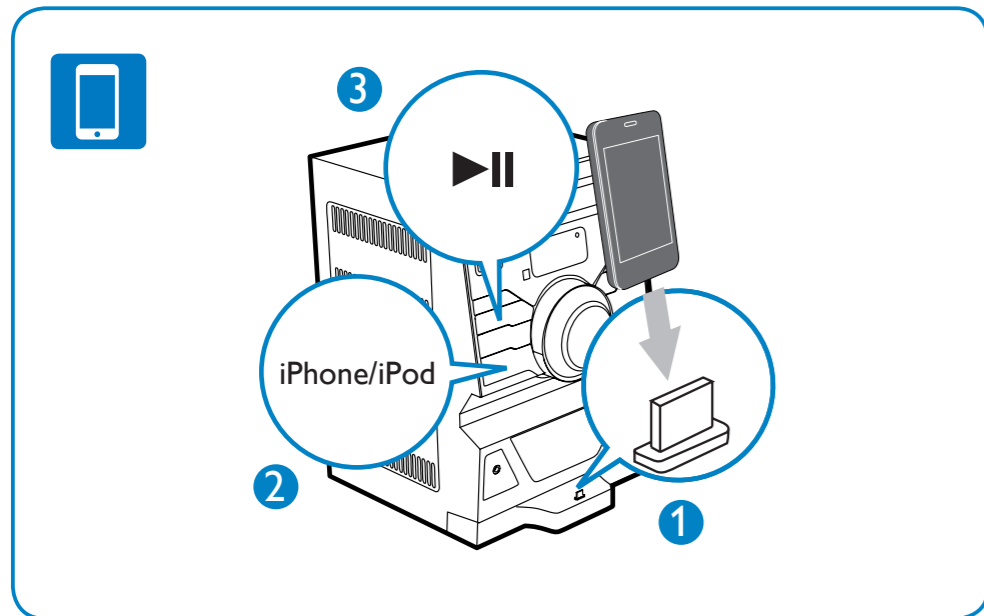


**PHILIPS**

1



# 2



All registered and unregistered trademarks are property of their respective owners.  
© 2012 Koninklijke Philips Electronics N.V.  
All rights reserved.

Be responsible  
Respect copyrights

