

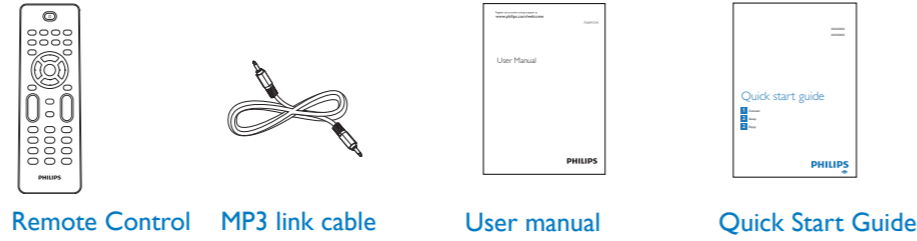


Quick start guide

- 1** Connect
- 2** Setup
- 3** Enjoy



What's in the box

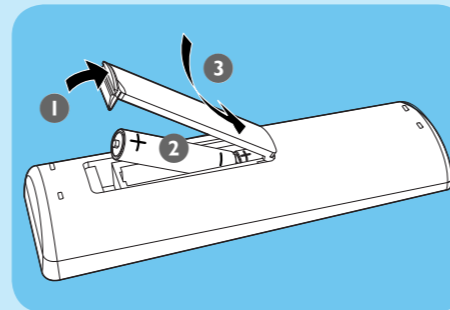


1 Connect

A Prepare the remote control

- 1 Open the battery compartment.
- 2 Insert 2 AAA batteries with correct polarity (+/-) as indicated.
- 3 Close the battery compartment.

- Note**
- Before you press any function button on the remote control, press a source button to select source with the remote control.

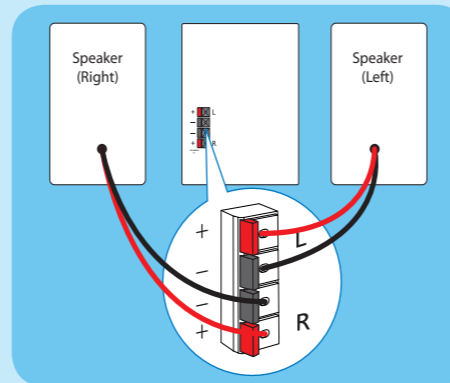


B Connect Speaker

- Note**
- Ensure that the colors of the speaker wires and terminals are matched.

- 1 Connect the speaker wires to the matching speaker terminals on the main unit.

- Tip**
- See the User Manual for how to connect other equipment to this system.

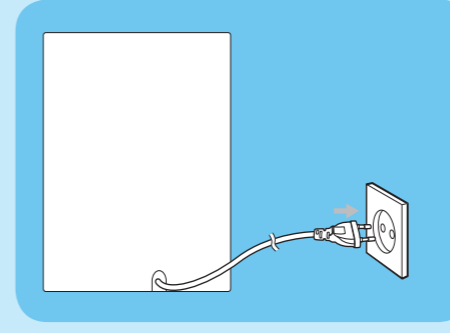


1 Connect

C Connect power

- Caution**
- Risk of product damage! Ensure that the power supply voltage corresponds to the voltage printed on the back or the underside of the unit.
 - Risk of electric shock! When you unplug the AC power cord, always pull the plug from the socket. Never pull the cord.

- 1 Connect the power cord to the wall outlet.

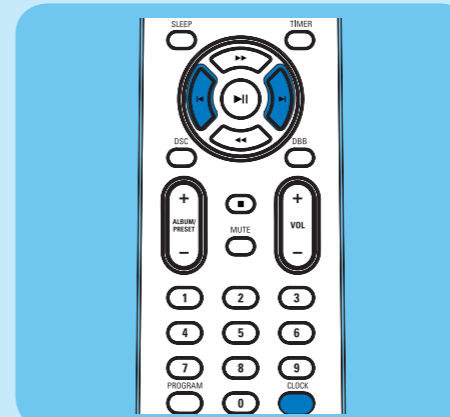


2 Setup

A Set clock

- 1 In standby mode, press and hold **CLOCK**.
↳ The hour digits are displayed and begin to blink.
- 2 Press **◀▶** on the remote control to set the hours.
- 3 Press **CLOCK**.
↳ The minute digits are displayed and begin to blink.
- 4 Press **◀▶** to set the minutes.
- 5 Press **CLOCK** to confirm the time.

- Tip**
- During play, you can press **DISPLAY** on the remote control to view the clock.



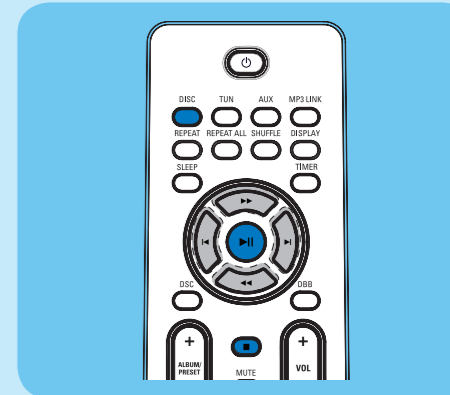
3 Enjoy

A Play disc

- 1 Press **DISC** to select the disc source.
- 2 Press **OPEN/CLOSE ▲** on the front panel to open the disc tray.
- 3 Insert a disc with the printed side facing up, then close the disc tray.
↳ Play starts automatically.
 - To pause/resume play, press **▶||**.
 - To stop play, press **■**.
 - To skip to a track, press **◀▶**.
 - To search within a track, press and hold **◀▶**. Release to resume normal play.

B Program radio stations automatically

- Note**
- You can program a maximum of 20 preset radio stations.
- 1 In tuner mode, press and hold **PROGRAM** for 2 seconds to activate automatic program mode.
↳ [AUTO] (auto) begins to blink.
↳ All available stations are programmed in the order of waveband reception strength.
↳ The first programmed radio station is broadcast automatically.



- Tip**
- Detailed features and additional functions are described in the user manual.



© Royal Philips Electronics N.V. 2009
All rights reserved.

Specifications are subject to change without notice.
Trademarks are the property of Koninklijke Philips Electronics N.V. or their respective owners.

Printed in China PDCC-2009

