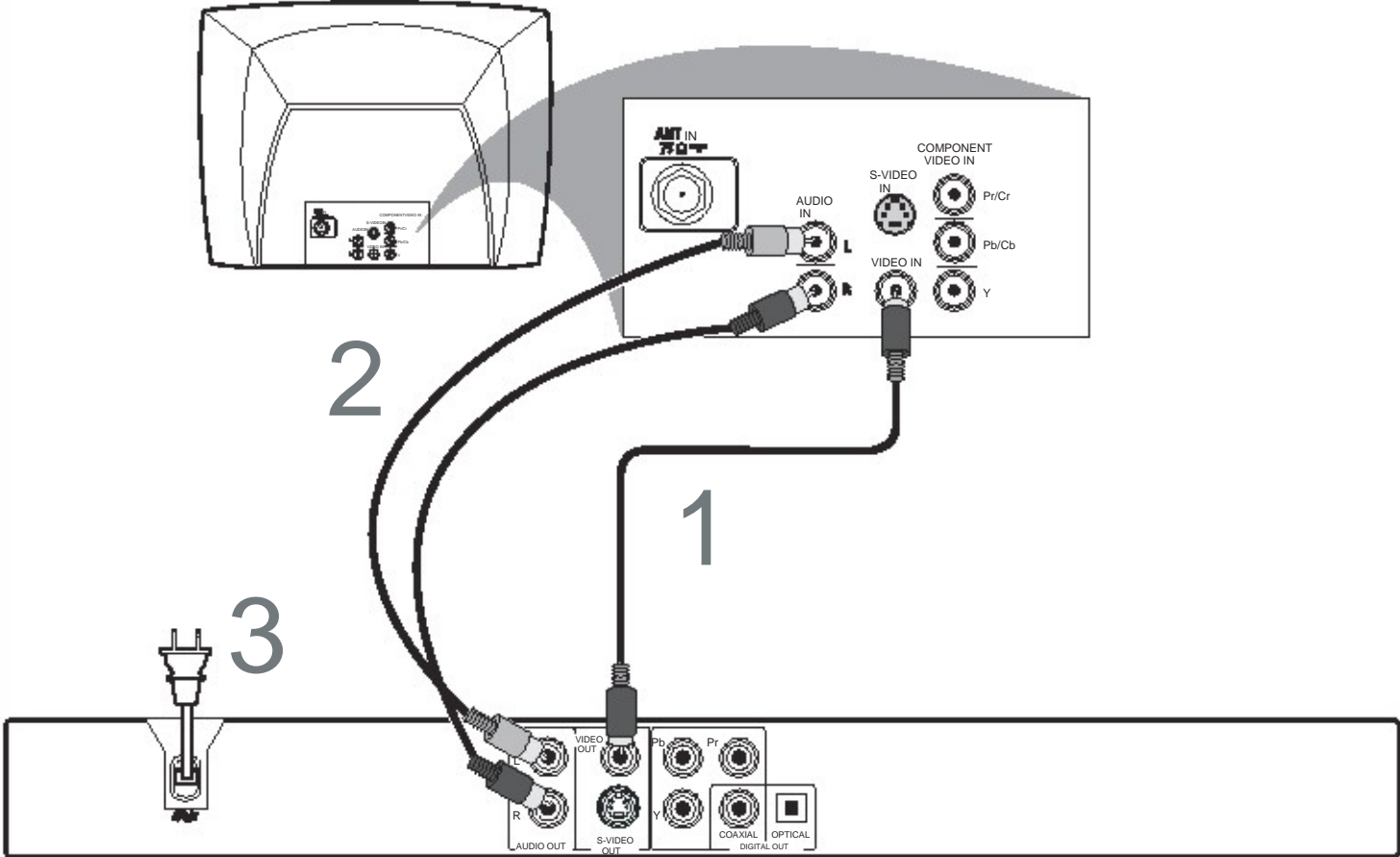




DVP640 • DVP642

First connect ...



Helpful Hints

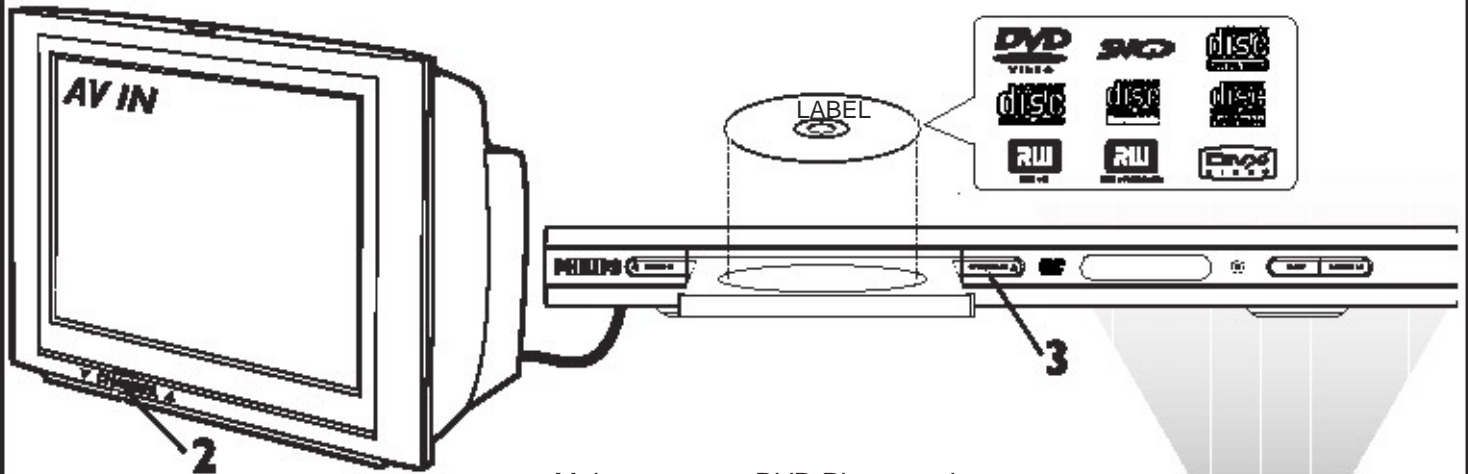
You only need to make one video connection to your TV in order to view DVD playback.

	Use this video cable(s)	If your TV has this video input jack(s)
1	supplied	VIDEO IN
2	not supplied	COMPONENT VIDEO
3	not supplied	S-VIDEO IN

If your TV has only a single Antenna In jack, you will need an accessory RF modulator. The RF modulator converts the video from the DVD player so it can play through the TV's Antenna connector. Refer to your owner's manual for proper connection (see page 10 in the owner's manual).

... then play
(see next page)

continue...



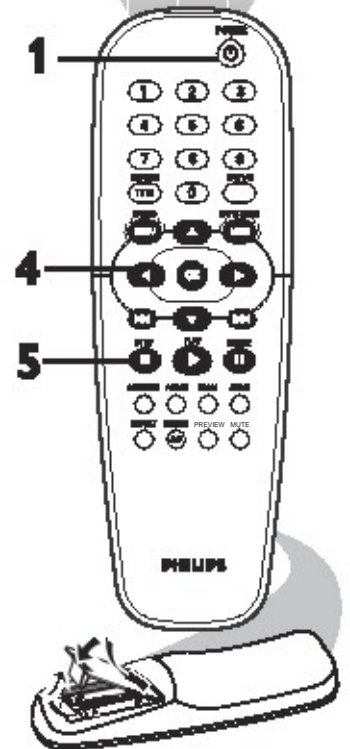
Make sure your DVD Player and TV are connected and turned on!

Playing a disc

- 1 Turn on the TV, then press STANDBY-ON 2 to turn on the DVD Player.
- 2 Select the correct Video In mode at your TV.
You should see the blue Philips DVD background screen on the TV (if no disc is in the DVD Player).
- 3 Press OPEN/CLOSE 0 on the front of the DVD Player and load a disc. Press OPEN•CLOSE 0 again to close the disc tray.

Make sure the disc label is facing up. For double-sided discs, the label of the side to play should face up.

- 4 Playback will start automatically.
If a disc menu appears, use 3 4 1 2 on the remote to make a selection, then press OK to confirm. Or, use the numeric keypad on the remote to select numbered features. Follow the instructions given in the disc menu.
- 5 To stop playback, press STOP 9.



No picture?

Check the AV (Audio/Video) mode on your TV.

- * Usually this channel is between the lowest and highest channels and may be called FRONT, A/V IN, or VIDEO.
- * Or, you may go to channel 1 on your TV, then press the Channel down button repeatedly until you see the Video In channel.
- * Or, your TV remote control may have a button or switch that chooses different video modes.
- * Do not use channel 3 or 4 on the TV unless you are using an RF modulator.
- * See your TV manual for more details.

Region Codes

DVDs must be labeled for ALL regions or for Region 1 in order to play on this DVD Player.



Detailed playback features and additional functions are described in the accompanying owner's manual.