

QUICK USE GUIDE

DVP5900

12NC No. 3139 246 18931

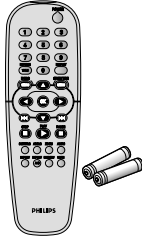
A what's in the box

A DVD Player



B Remote Control

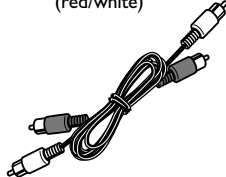
includes 2x AA batteries



C Video cable (yellow)



D Audio cable (red/white)



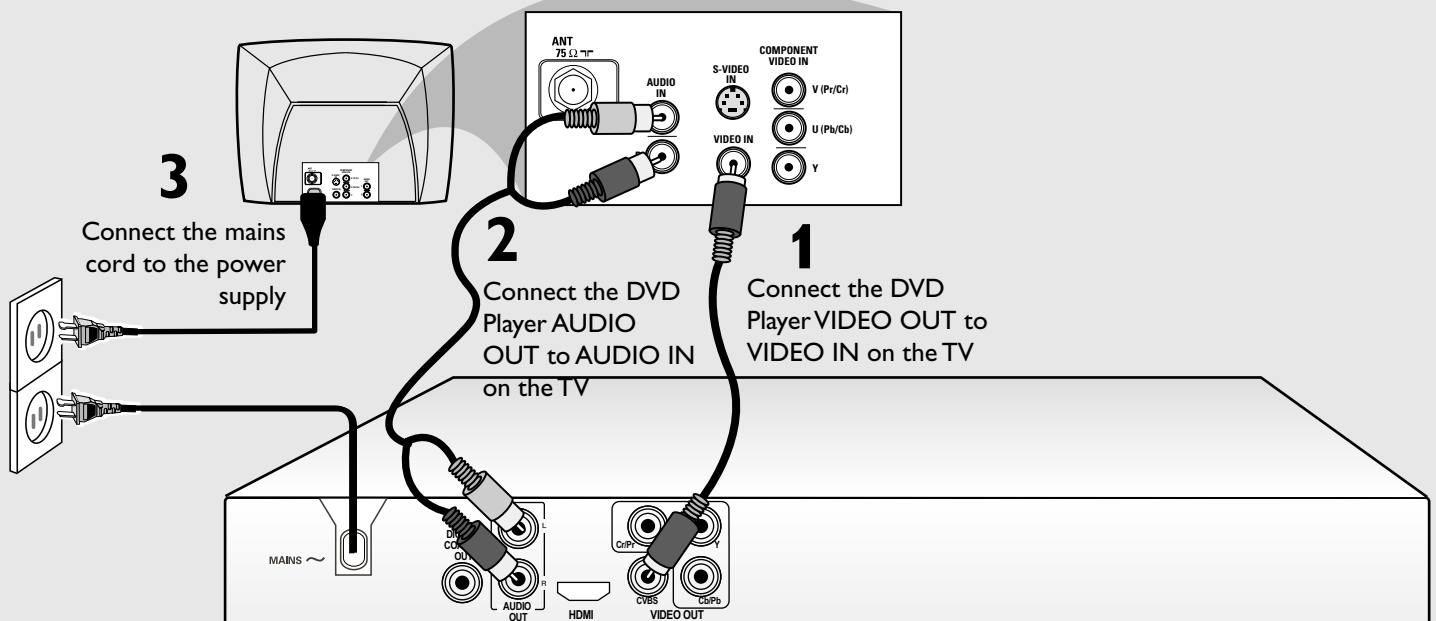
helpful hints

You only need to make one video connection to your TV in order to view DVD playback.

	Use this video cable(s)	If your TV has this video input jack(s)
1	supplied	VIDEO IN
2	not supplied	Component Video

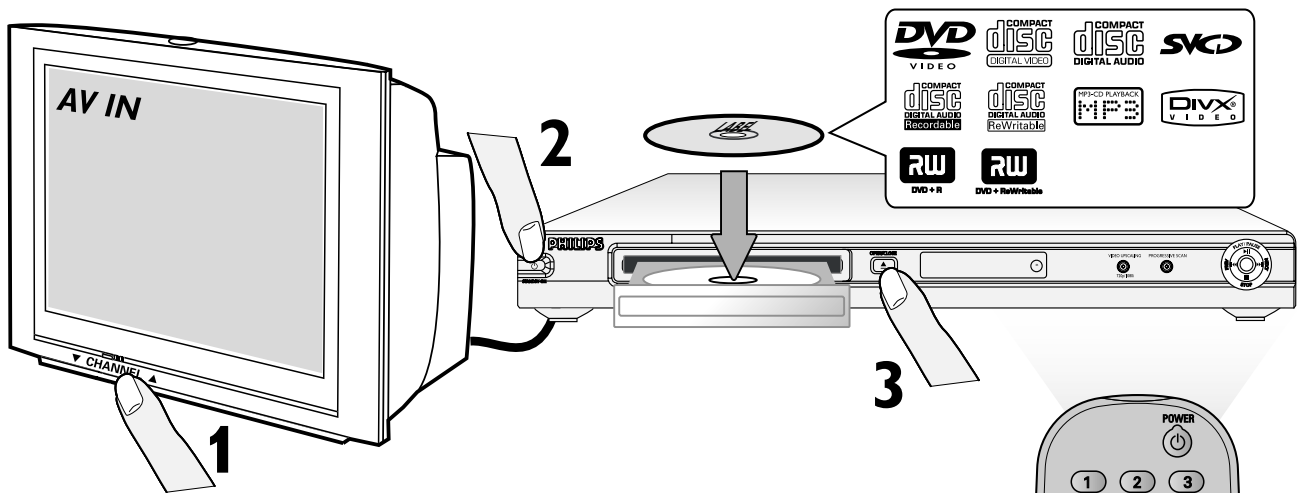
75 Ω **ANTENNA IN** If your TV has only a single Antenna In jack, you will need an accessory RF modulator. The RF modulator converts the video from the DVD player so it can play through the TV's Antenna connector. Refer to your owner's manual for proper connection.

B connect TV

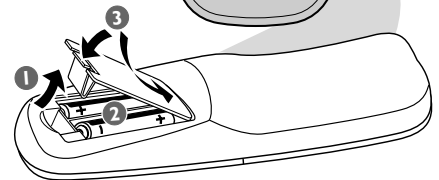
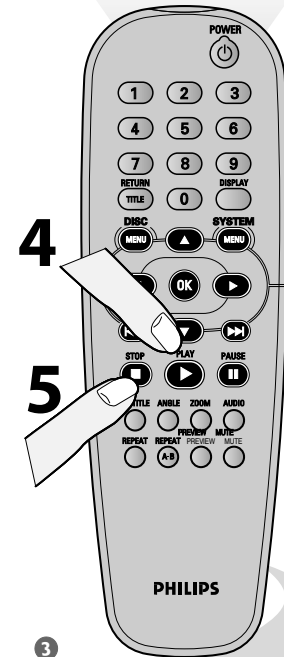


Note: For connecting to a Progressive Scan TV, refer to the user manual for proper connections and detailed set up.

C play a disc



- 1** Turn on the TV and set it to the correct Video In channel.
- 2** Press **STANDBY-ON** on the DVD Player.
- 3** Press **OPEN/CLOSE ▲** on the DVD Player and load a disc. Press **OPEN/CLOSE ▲** again to close the disc tray.
- 4** Playback will start automatically. If not press **PLAY ►**.
- 5** To stop playback, press **STOP ■**.



D Troubleshooting

For more troubleshooting tips, see the user manual

Problem

Tips

No picture

- Refer to your TV's manual for correct Video In channel selection. Change the TV channel until you see the DVD screen.
- Check if the TV is switched on.
- If the progressive scan feature is activated but the connected TV does not support progressive signals or the cables are not connected accordingly, see page 19 for proper progressive scan set up or deactivate the progressive scan feature as below:
 - 1) Press **OPEN CLOSE ▲** on the DVD system to open the disc tray.
 - 2) Press **►** followed by **AUDIO** the remote control.

No HDMI output

- Check the video output is HDMI enabled.
- Check the connection between the TV and the HDMI jack of DVD player.
- See if the TV supports this 480p/576p/720p/1080i DVD player.

GET PICTURE

- Check the connection of the DVD system to TV is in place (see 2 Connect TV).
- Check the AV mode on TV. It may be called FRONT, A/V IN, or VIDEO. Choose the different modes using TV remote control.
- Or, use the TV remote control to select Channel 1 on TV, then press Channel down button until you get the picture.
- See your TV manual for more details.

REGION CODES

