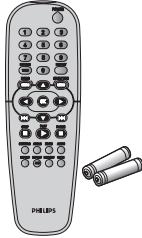


A what's in the box

A DVD Player



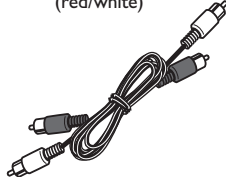
B Remote Control
includes 2x AA batteries



C Video cable
(yellow)



D Audio cable
(red/white)



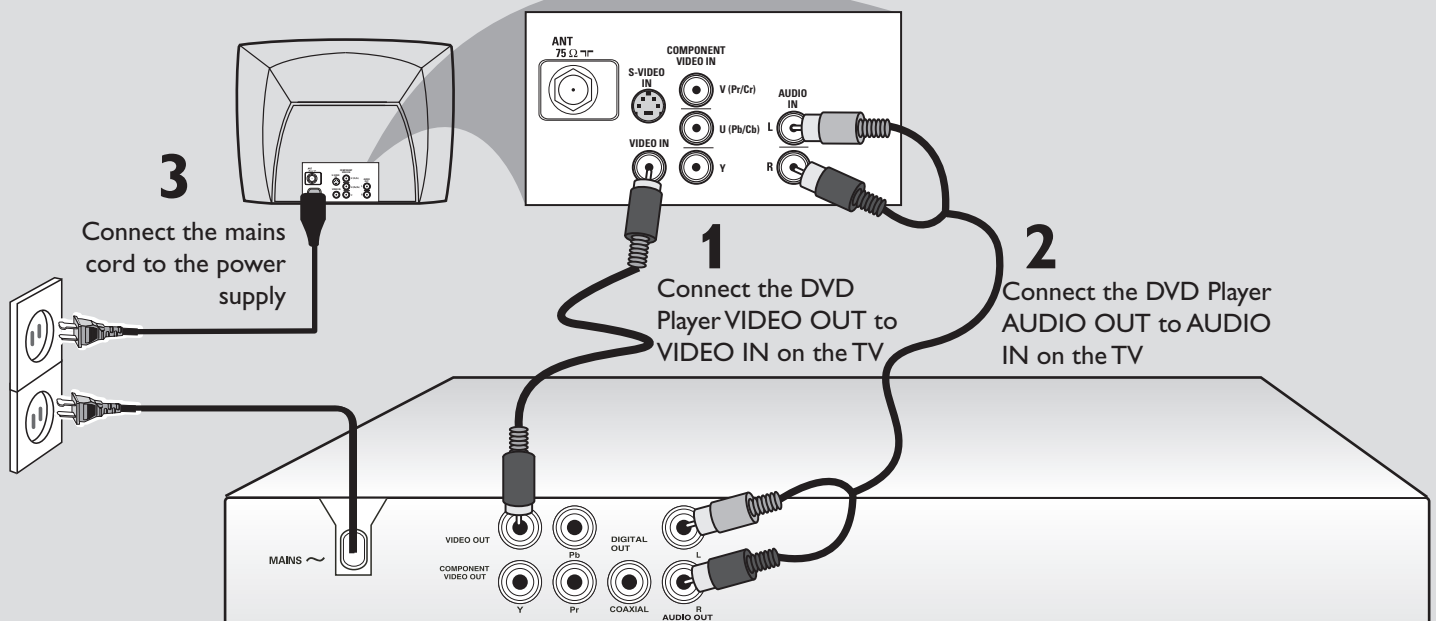
helpful hints

You only need to make one video connection to your TV in order to view DVD playback.

	Use this video cable(s)	If your TV has this video input jack(s)
1	supplied	VIDEO IN
2	not supplied	Component Video

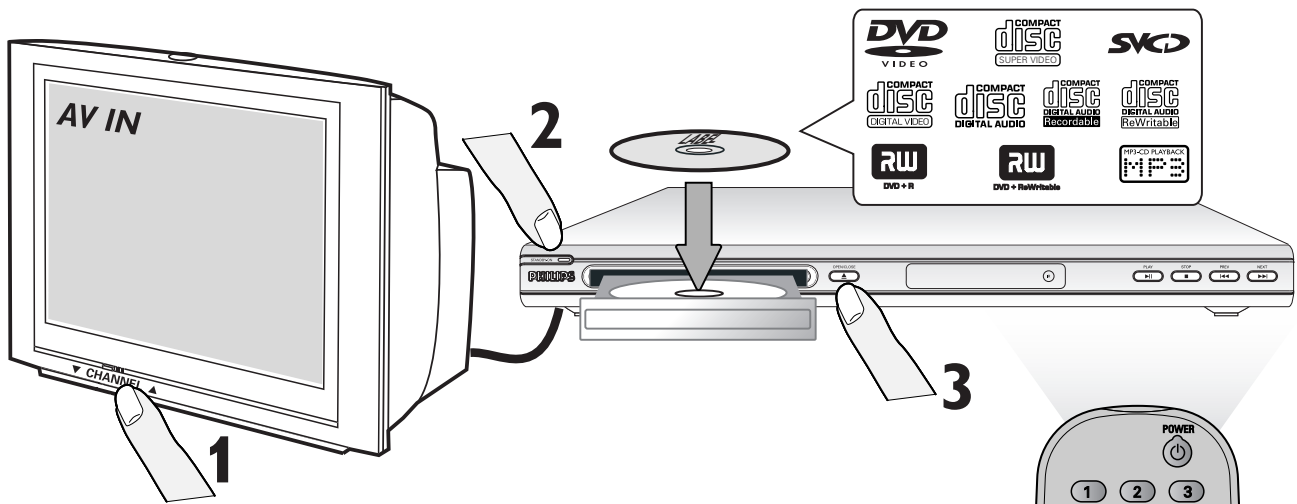
75 Ω **ANTENNA IN** If your TV has only a single Antenna In jack, you will need an accessory RF modulator. The RF modulator converts the video from the DVD player so it can play through the TV's Antenna connector. Refer to your owner's manual for proper connection.

B connect TV

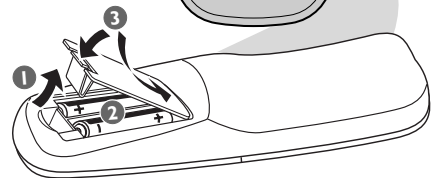
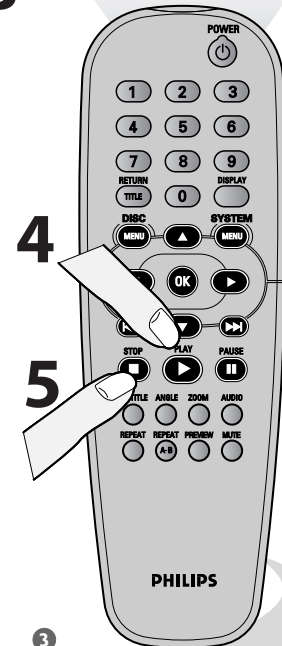


Note: For connecting to a Progressive Scan TV, refer to the user manual for proper connections and detailed set up.

C play a disc

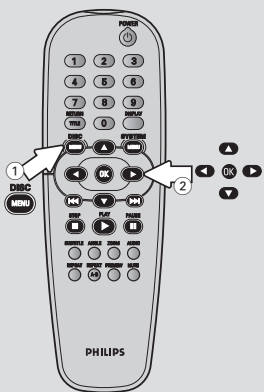


- 1** Turn on the TV and set it to the correct Video In channel.
- 2** Press **STANDBY-ON** on the DVD Player.
- 3** Press **OPEN/CLOSE** ▲ on the DVD Player and load a disc. Press **OPEN/CLOSE** ▲ again to close the disc tray.
- 4** Playback will start automatically. If not press **PLAY** ►.
- 5** To stop playback, press **STOP** ■.



D DVD Setup Menu Options

More settings and features



General	Audio	Video	Preference
-- General Setup Page --			
Display Dim			
OSD Language			
Sleep			
Screen Saver			
-- Video Setup Page --			
TV Type			
TV Display			
Progressive			
Sharpness			
Brightness			
Contrast			
Closed Caption			

General	Audio	Video	Preference
-- Speaker Setup Page --			
Downmix			
Digital Audio			
-- Preference Page --			
Audio			
Subtitle			
Disc Menu			
Parental			
Password			
Default			

Refer to chapters "Getting Started" and "DVD Setup Menu Options" in the user manual the detailed descriptions.

GET PICTURE

- Check the connection of the DVD system to TV is in place (see 2 Connect TV).
- Check the AV mode on TV. It may be called FRONT, A/V IN, or VIDEO. Choose the different modes using TV remote control.
- Or, use the TV remote control to select Channel 1 on TV, then press Channel down button until you get the picture.
- See your TV manual for more details.

REGION CODES

