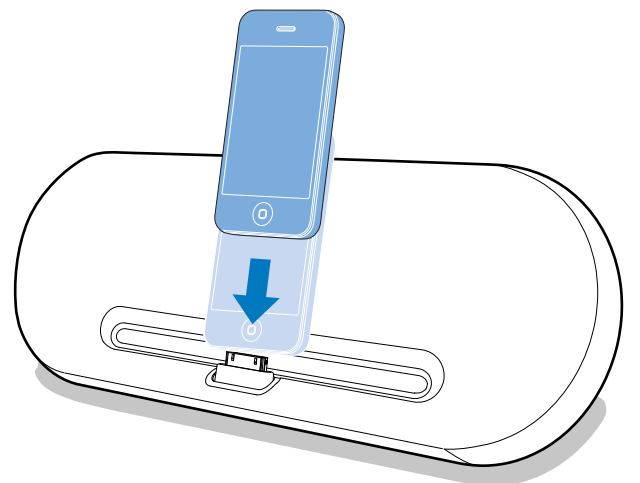
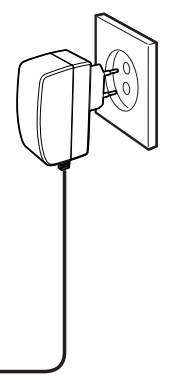
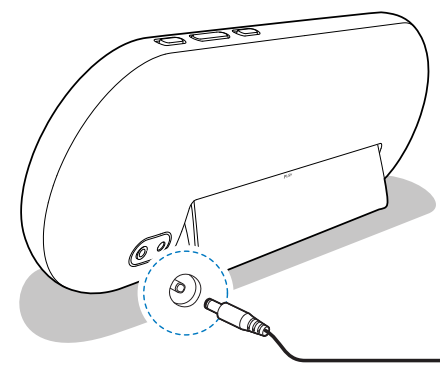
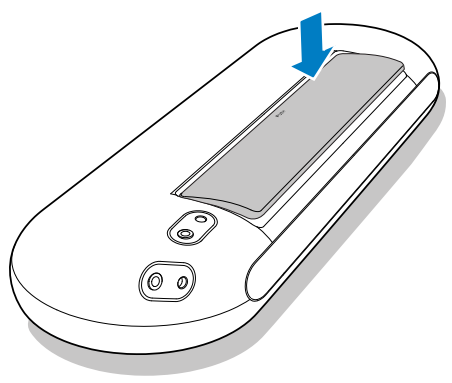




DS7510 V2.0  
 All rights reserved.  
 © 2011 Koninklijke Philips Electronics N.V.  
 Product information is subject to change without prior notice.  
 Reproduction in whole or in part is prohibited without the written consent of the copyright owner.  
 Trademarks are the property of Koninklijke Philips Electronics N.V. or their respective owners.

Be responsible  
 Respect copyrights



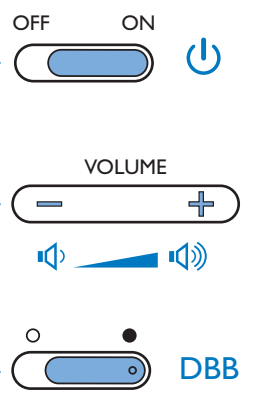
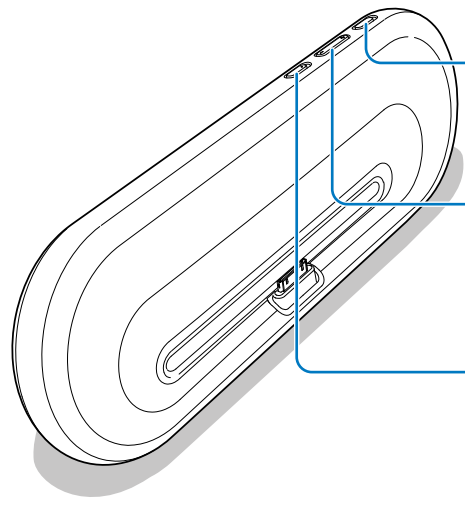
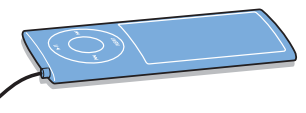
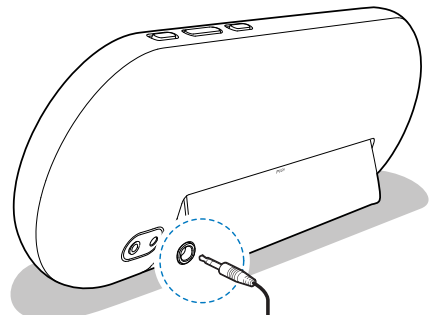
Register your product and get support at  
[www.philips.com/welcome](http://www.philips.com/welcome)

DS7510

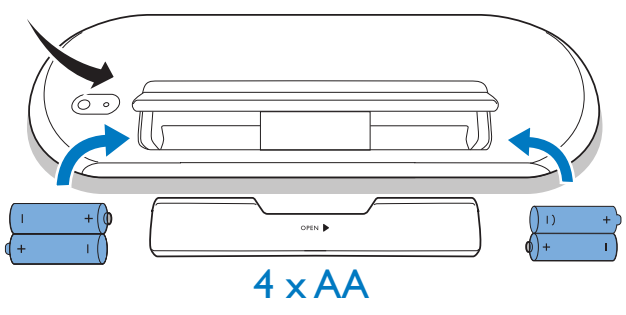
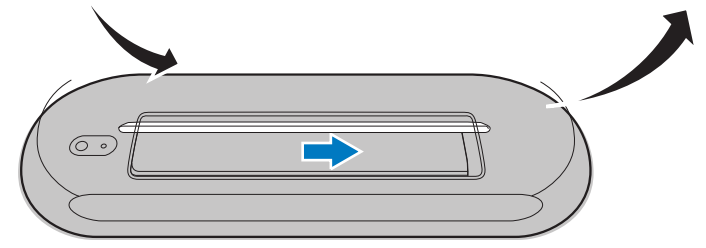
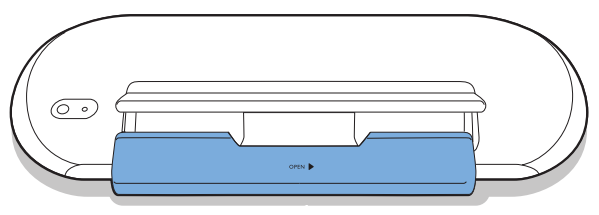
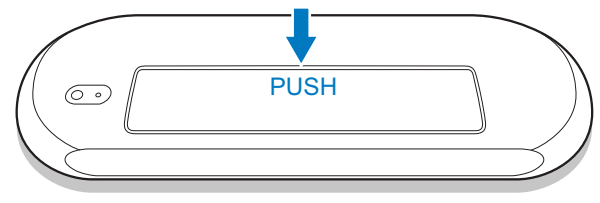


Quick start guide **English**  
 Lynvejledning **Dansk**  
 Schnellstartanleitung **Deutsch**  
 Guía de configuración rápida **Español**  
 Guide de démarrage rapide **Français**  
 Guida di avvio rapido **Italiano**  
 Snelstartgids **Nederlands**  
 Snabbstartguide **Svenska**  
 Stručný návod k rychlému použití **Čeština**  
 快速啟用指南 **繁體中文**

Οδηγός γρήγορης έναρξης **Ελληνικά**  
 Pikaopas **Suomi**  
 Rövid územbe helyezési útmutató **Magyar**  
 Skrócona instrukcja obsługi **Polski**  
 Manual de Inicio Rápido **Português**  
 Краткое руководство **Русский**  
 Stručná úvodná príručka **Slovensky**  
 요약 설명서 **한국어**



**PHILIPS**



- iPod touch(1G,2G,3G,4G)
- iPhone, iPhone 3G, iPhone 3GS
- iPhone 4
- iPod nano 1G
- iPod nano 2G
- iPod nano 3G
- iPod nano 4G
- iPod nano 5G
- iPod nano 6G
- iPod mini
- iPod (4G,5G)
- iPod classic

