

Register your product and get support at
www.philips.com/welcome

DCM713



EN User manual

DA Brugervejledning

DE Benutzerhandbuch

ES Manual del usuario

FR Mode d'emploi

IT Manuale utente

NL Gebruiksaanwijzing

SV Användarhandbok

PHILIPS

Contents

1 Important	4
Safety	4
Notice	6

2 Your Docking Entertainment System	8
Introduction	8
What's in the box	8
Overview of the main unit	9
Overview of the remote control	10

3 Get started	12
Connect speakers	12
Connect FM antenna	12
Connect power	13
Prepare the remote control	13
Set clock	14
Turn on	14

4 Play disc/USB	15
Play from disc	15
Play from USB	15

5 Control play	16
Skip to a track	16
Pause/resume play	16
Search within a track	16
Display play information	16
Repeat play	16
Random play	16
Program tracks	17

6 Play iPhone/iPod	18
Compatible iPod/iPhone	18
Listen to an iPhone/iPod through this unit	18
Charge the iPhone/iPod	18
Remove the iPhone/iPod	18

7 Tune to FM radio stations	19
Program radio stations automatically	19
Program radio stations manually	19
Tune to a preset radio station	19
Show RDS information	19
Set RDS clock	20

8 Adjust sound	21
Activate demonstration mode	21
Adjust volume	21
Select automatic loudness control	21
Adjust bass level	21
Adjust treble level	21
Mute sound	21

9 Other features	22
Set the alarm timer	22
Set the sleep timer	22
Listen to an external device	22
Listen to an audio player	22
Listen through headphone	22

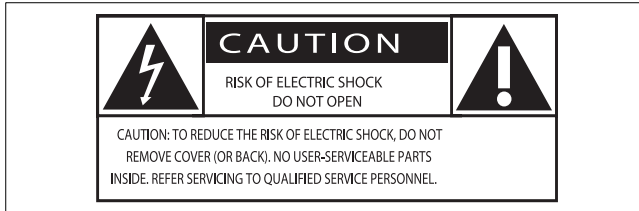
10 Product information	23
Specifications	23
USB playability information	24
Supported MP3 disc formats	24
RDS program types	24

11 Troubleshooting	26
---------------------------	----

1 Important

Safety

Know these safety symbols



This 'bolt of lightning' indicates uninsulated material within your unit may cause an electrical shock. For the safety of everyone in your household, please do not remove product covering.

The 'exclamation point' calls attention to features for which you should read the enclosed literature closely to prevent operating and maintenance problems.

WARNING: To reduce the risk of fire or electric shock, this apparatus should not be exposed to rain or moisture and objects filled with liquids, such as vases, should not be placed on this apparatus.

CAUTION: To prevent electric shock, match wide blade of plug to wide slot, fully insert.

Important Safety Instructions

- ① Read these instructions.
- ② Keep these instructions.
- ③ Heed all warnings.
- ④ Follow all instructions.
- ⑤ Do not use this apparatus near water.
- ⑥ Clean only with dry cloth.

- ⑦ Do not block any ventilation openings. Install in accordance with the manufacturer's instructions.
- ⑧ Do not install near any heat sources such as radiators, heat registers, stoves, or other apparatus (including amplifiers) that produce heat.
- ⑨ Protect the power cord from being walked on or pinched, particularly at plugs, convenience receptacles, and the point where they exit from the apparatus.
- ⑩ Only use attachments/accessories specified by the manufacturer.
- ⑪ Use only with the cart, stand, tripod, bracket, or table specified by the manufacturer or sold with the apparatus. When a cart is used, use caution when moving the cart/apparatus combination to avoid injury from tip-over.



- ⑫ Unplug this apparatus during lightning storms or when unused for long periods of time.
- ⑬ Refer all servicing to qualified service personnel. Servicing is required when the apparatus has been damaged in any way, such as power-supply cord or plug is damaged, liquid has been spilled or objects have fallen into the apparatus, the apparatus has been exposed to rain or moisture, does not operate normally, or has been dropped.
- ⑭ Battery usage CAUTION – To prevent battery leakage which may result in bodily injury, property damage, or damage to the unit:

- Install all batteries correctly, + and - as marked on the unit.
- Do not mix batteries (old and new or carbon and alkaline, etc.).
- Remove batteries when the unit is not used for a long time.

- ⑮ **Apparatus shall not be exposed to dripping or splashing.**
- ⑯ **Do not place any sources of danger on the apparatus (e.g. liquid filled objects, lighted candles).**
- ⑰ **This product may contain lead and mercury. Disposal of these materials may be regulated due to environmental considerations. For disposal or recycling information, please contact your local authorities or the Electronic Industries Alliance: www.eiae.org.**

Safety-Important notes for users in the U.K.

Mains plug

This apparatus is fitted with an approved 13 Amp plug. To change a fuse in this type of plug proceed as follows:

- ① **Remove fuse cover and fuse.**
- ② **Fix new fuse which should be a BS1362 5 Amp, A.S.T.A. or BSI approved type.**
- ③ **Refit the fuse cover.**

If the fitted plug is not suitable for your socket outlets, it should be cut off and an appropriate plug fitted in its place.

If the mains plug contains a fuse, this should have a value of 5 Amp. If a plug without a fuse is used, the fuse at the distribution board should not be greater than 5 Amp.

Note: The severed plug must be disposed off to avoid a possible shock hazard should it be inserted into a 13 Amp socket elsewhere.

How to connect a plug

The wires in the mains lead are coloured with the following code: blue = neutral (N), brown = live (L).

As these colours may not correspond with the colour markings identifying the terminals in your plug, proceed as follows:

- Connect the blue wire to the terminal marked N or coloured black.
- Connect the brown wire to the terminal marked L or coloured red.
- Do not connect either wire to the earth terminal in the plug, marked E (or e) or coloured green (or green and yellow).

Before replacing the plug cover, make certain that the cord grip is clamped over the sheath of the lead - not simply over the two wires.

Copyright in the U.K.

Recording and playback of material may require consent. see Copyright Act 1956 and The performer's Protection Acts 1958 to 1972.



Caution

- Use of controls or adjustments or performance of procedures other than herein may result in hazardous radiation exposure or other unsafe operation.



Warning

- Where the MAINS plug or an appliance coupler is used as the disconnect device, the disconnect device shall remain readily operable.



Warning

- Never remove the casing of this unit.
- Never lubricate any part of this unit.
- Place this unit on a flat, hard and stable surface.
- Never place this unit on other electrical equipment.
- Only use this unit indoors. Keep this unit away from water, moisture and liquid-filled objects.
- Keep this unit away from direct sunlight, naked flames or heat.
- Never look into the laser beam inside the unit.

Hearing safety

Listen at a moderate volume.

- Using headphones at a high volume can impair your hearing. This product can produce sounds in decibel ranges that may cause hearing loss for a normal person, even for exposure less than a minute. The higher decibel ranges are offered for those that may have already experienced some hearing loss.
- Sound can be deceiving. Over time your hearing 'comfort level' adapts to higher volumes of sound. So after prolonged listening, what sounds 'normal' can actually be loud and harmful to your hearing. To guard against this, set your volume to a safe level before your hearing adapts and leave it there.

To establish a safe volume level:

- Set your volume control at a low setting.
- Slowly increase the sound until you can hear it comfortably and clearly, without distortion.

Listen for reasonable periods of time:

- Prolonged exposure to sound, even at normally 'safe' levels, can also cause hearing loss.
- Be sure to use your equipment reasonably and take appropriate breaks.

Be sure to observe the following guidelines when using your headphones.

- Listen at reasonable volumes for reasonable periods of time.
- Be careful not to adjust the volume as your hearing adapts.
- Do not turn up the volume so high that you can't hear what's around you.
- You should use caution or temporarily discontinue use in potentially hazardous situations. Do not use headphones while operating a motorized vehicle, cycling, skateboarding, etc.; it may create a traffic hazard and is illegal in many areas.

Notice



This product complies with the radio interference requirements of the European Community.

This product complies with the requirements of the following directives and guidelines: 2004/108/EC + 2006/95/EC

Any changes or modifications made to this device that are not expressly approved by Philips Consumer Lifestyle may void the user's authority to operate the equipment.



Your product is designed and manufactured with high quality materials and components, which can be recycled and reused.



When this crossed-out wheeled bin symbol is attached to a product it means that the product is covered by the European Directive 2002/96/EC.

Please inform yourself about the local separate collection system for electrical and electronic products.

Please act according to your local rules and do not dispose of your old products with your normal household waste. Correct disposal of your old product helps to prevent potential negative consequences for the environment and human health.



Your product contains batteries covered by the European Directive 2006/66/EC, which cannot be disposed with normal household waste. Please inform yourself about the local rules on separate collection of batteries because correct disposal helps to prevent negative consequences for the environmental and human health.

Environmental information

All unnecessary packaging has been omitted. We have tried to make the packaging easy to separate into three materials: cardboard (box), polystyrene foam (buffer) and polyethylene (bags, protective foam sheet.)

Your system consists of materials which can be recycled and reused if disassembled by a specialized company. Please observe the local regulations regarding the disposal of packaging materials, exhausted batteries and old equipment.



Be responsible
Respect copyrights

The making of unauthorized copies of copy-protected material, including computer programs, files, broadcasts and sound recordings, may be an infringement of copyrights and constitute a criminal offence. This equipment should not be used for such purposes.

This apparatus includes this label:



ENERGY STAR and the ENERGY STAR mark are registered U.S. marks.



Note

- The type plate is located on the bottom of the apparatus.

2 Your Docking Entertainment System

Congratulations on your purchase, and welcome to Philips! To fully benefit from the support that Philips offers, register your product at www.philips.com/welcome.

Introduction

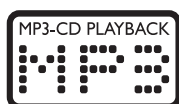
With this unit, you can:

- enjoy audio from audio discs, USB devices, iPod players, iPhone and other external devices
- listen to radio stations

You can enrich sound output with these sound effects:

- Bass adjustment
- Treble adjustment
- Automatic bass/treble enhancement (loudness)

The unit supports these media formats:

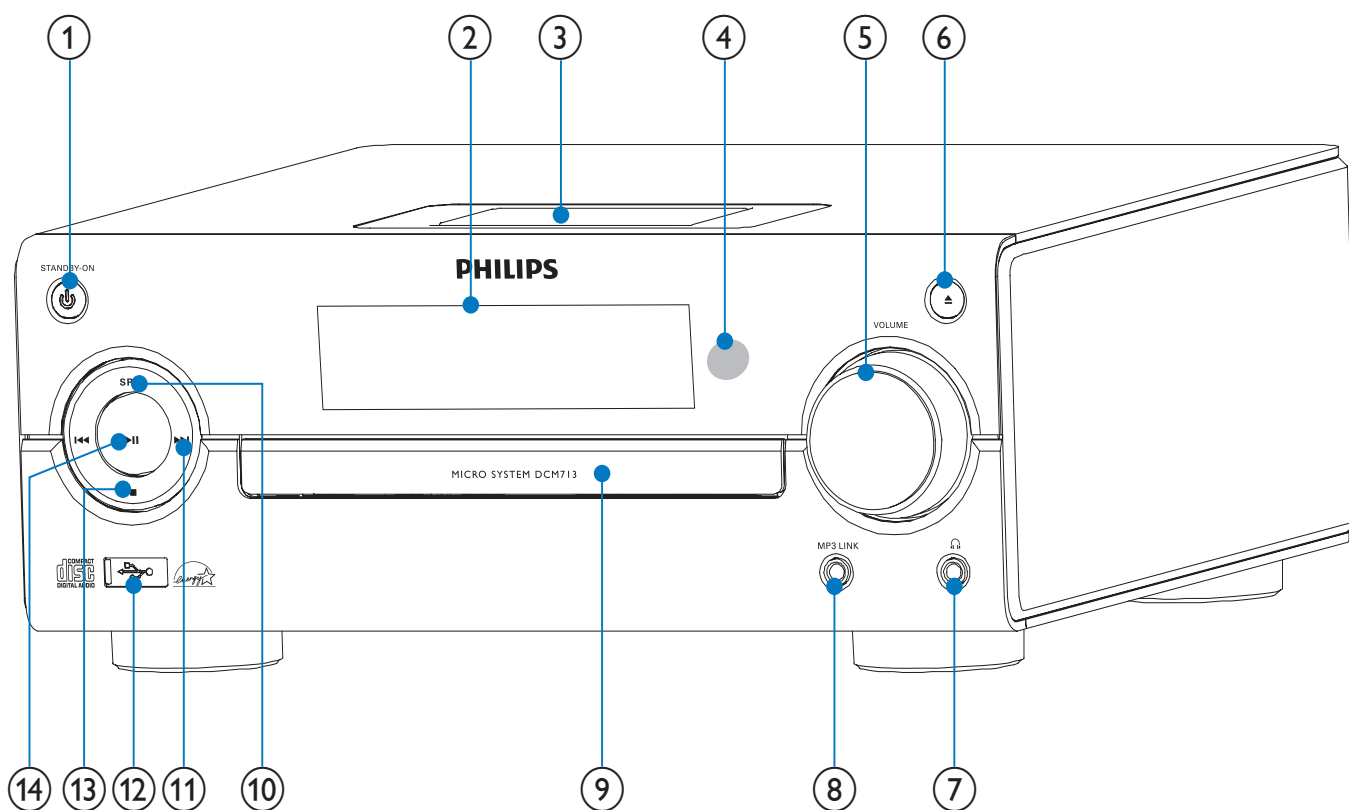


What's in the box

Check and identify the contents of your package:

- Main unit
- 2 speaker boxes
- Remote control with battery
- FM antenna
- Power cord
- MP3 link cable
- User manual
- Quick start guide

Overview of the main unit



① STANDBY-ON

- Turn on the apparatus, switch to standby mode, or Eco Power standby mode.

② Display panel

- Show current status.

③ Dock for iPhone / iPod

④ Remote control sensor

⑤ VOLUME

- Adjust volume.

⑥

- Open or close the disc compartment.

⑦

- Headphone socket.

⑧ MP3-LINK

- Jack for an external audio device.

⑨ Disc compartment

⑩ SRC

- Select a source.

⑪

- Skip to the previous/next track.
- Fast reverse or fast forward within a track or disc.
- Tune to a radio station.

⑫

- Jack for a USB mass storage device.

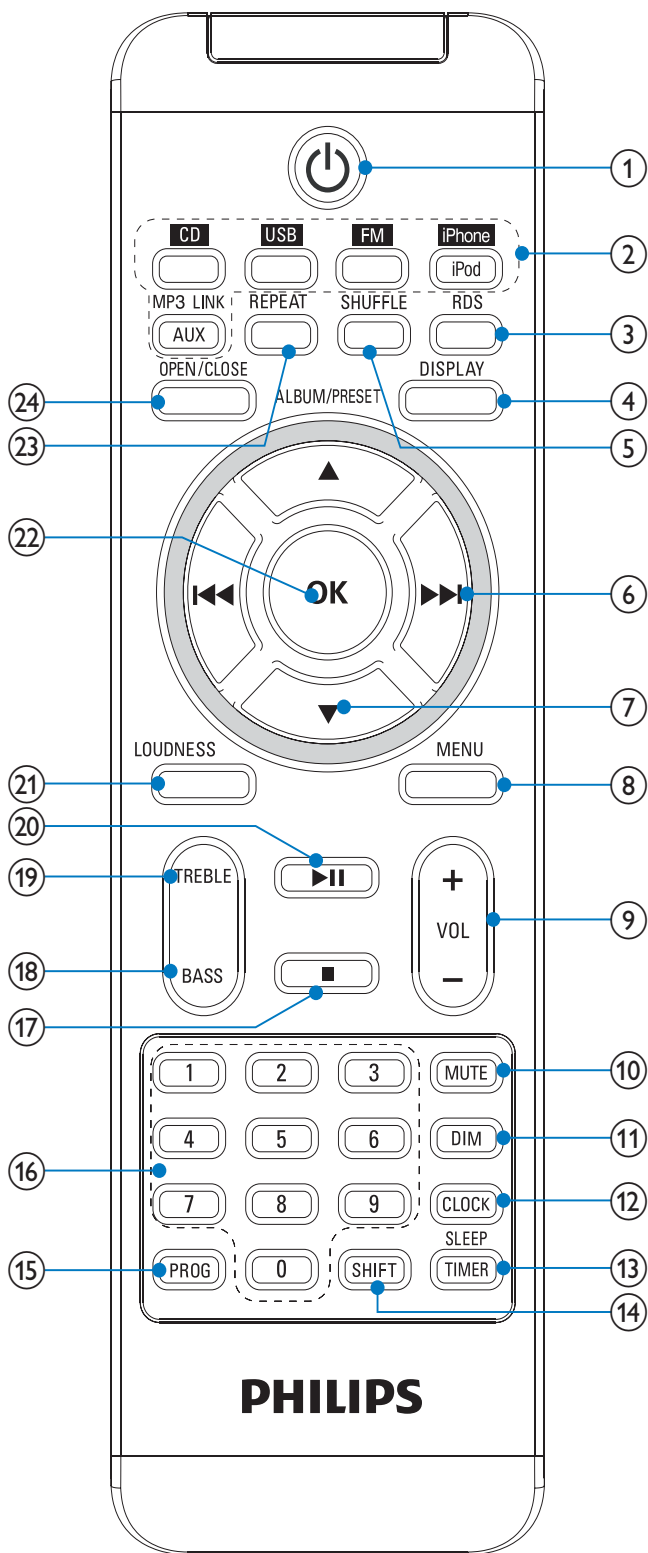
⑬

- Stop play.
- Erase a program.
- In demo mode, activate or deactivate demonstration.

⑭

- Start or pause play.

Overview of the remote control



- ① **Power**
- Turn on the apparatus, switch to standby mode, or Eco Power standby mode.

- ② **Source selection keys**
- Select a source.
- ③ **RDS**
- For selected FM radio stations: display RDS information.
- ④ **DISPLAY**
- During play, select display information.
- ⑤ **SHUFFLE**
- Play tracks randomly.
- ⑥ **Navigation pad**
- Skip to the previous/next track.
 - Fast reverse or fast forward within a track or disc.
 - Tune to a radio station.
 - Navigate through the iPod/iPhone menu.
- ⑦ **ALBUM/PRESET ▲▼**
- Skip to the previous/next album.
 - Select a preset radio station.
 - Navigate through the iPod/iPhone menu.
- ⑧ **MENU**
- Access the iPod/iPhone menu.
- ⑨ **VOL +/-**
- Adjust volume.
- ⑩ **MUTE**
- Mute volume.
- ⑪ **DIM**
- Select a brightness level for the display screen.
- ⑫ **CLOCK**
- Set the clock.
- ⑬ **SLEEP/TIMER**
- Set the sleep timer.
 - Set the alarm timer.
- ⑭ **SHIFT**
- Enter a 2 or 3-digit number (used together with the numeric keypad).

- ⑮ **PROG**
 - Program tracks.
 - Program radio stations.
- ⑯ **Numeric keypad**
 - Select a track directly.
- ⑰ **■**
 - Stop play.
 - Erase a program.
- ⑱ **BASS**
 - Adjust bass level.
- ⑲ **TREBLE**
 - Adjust treble level.
- ⑳ **▶||**
 - Start or pause play.
- ㉑ **LOUDNESS**
 - Turn on or off automatic loudness adjustment.
- ㉒ **OK**
 - Confirm a selection.
- ㉓ **REPEAT**
 - Select a repeat play mode.
- ㉔ **OPEN/CLOSE**
 - Open or close the disc tray.

3 Get started

! Caution

- Use of controls or adjustments or performance of procedures other than herein may result in hazardous radiation exposure or other unsafe operation.

Always follow the instructions in this chapter in sequence.

If you contact Philips, you will be asked for the model and serial number of this apparatus. The model number and serial number are on the bottom of the apparatus. Write the numbers here:

Model No. _____

Serial No. _____

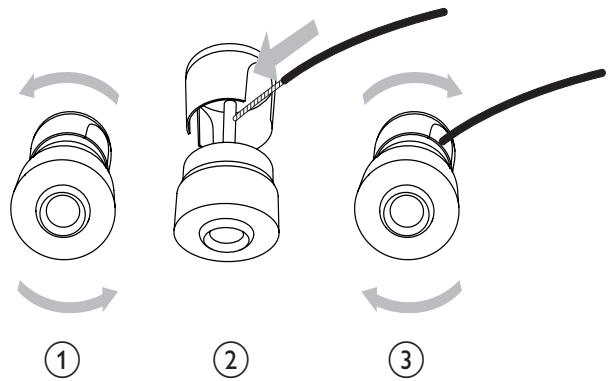
Connect speakers

≡ Note

- Ensure that the colors of the speaker wires and terminals are matched.
- For optimal sound, use the supplied speakers only.
- Connect only speakers with impedance that is the same or higher than the supplied speakers. Refer to the Specifications section of this manual.

For the main unit side:

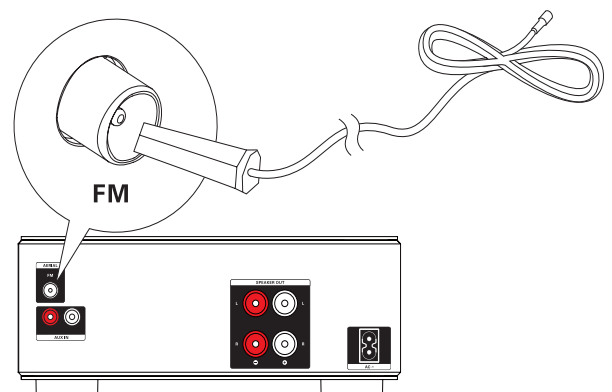
- 1 Unscrew the speaker connectors.
- 2 Insert fully the red end of a speaker cable into the left red (+) connector.
- 3 Screw the left red (+) connector to secure the cable.
- 4 Insert fully the silver end of a speaker cable into the left black (-) connector.
- 5 Screw the left black (-) connector to secure the cable.
- 6 Repeat steps 2-5 to insert the other speaker cable into the right connectors.



For the speaker side:

- 1 Unscrew the speaker connectors.
- 2 For the left speaker, identify the speaker cable that is connected to the left connectors on the main unit.
- 3 Insert fully the red end of the speaker cable into the red (+) connector.
- 4 Screw the red (+) connector to secure the cable.
- 5 Insert fully the silver end of the speaker cable into the black (-) connector.
- 6 Screw the black (-) connector to secure the cable.
- 7 Repeat steps 2-6 for the right speaker.

Connect FM antenna



Tip

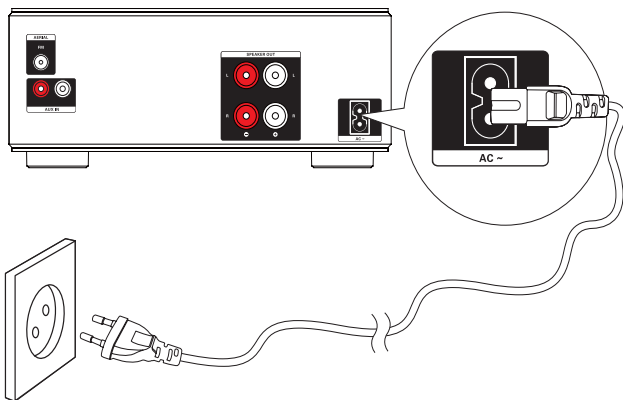
- For optimal reception, fully extend and adjust the position of the antenna.
- For better FM stereo reception, connect an outdoor FM antenna to the **FM AERIAL** jack.
- The unit does not support MW radio reception.

- 1 Connect the supplied FM antenna to the **FM AERIAL** jack on the main unit.

Connect power

Caution

- Risk of product damage! Ensure that the power supply voltage corresponds to the voltage printed on the back or the underside of the unit.
- Risk of electric shock! When you unplug the AC power cord, always pull the plug from the socket. Never pull the cord.
- Before you connect the AC power cord, ensure that you have completed all other connections.



- 1 Connect the power cord to the **AC~** jack on the main unit.
- 2 Connect the power plug to the wall outlet.

Prepare the remote control

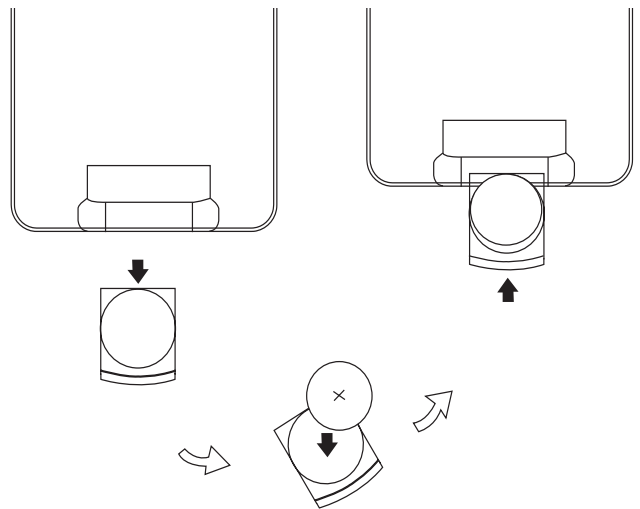
Caution

- Risk of explosion! Keep batteries away from heat, sunshine or fire. Never discard batteries in fire.

For first-time use:

- 1 Remove the protective tab to activate the remote control battery.

To replace the remote control batteries:



- 1 Open the battery compartment.
- 2 Insert one lithium CR2025 battery with correct polarity (+/-) as indicated.
- 3 Close the battery compartment.

Note

- Before you press any function button on the remote control, first select the correct source with the remote control instead of the main unit.
- If you are not going to use the remote control for a long time, remove the battery.

Set clock

- 1 In the standby mode, press and hold **CLOCK** to activate the clock setting mode.
 - ↳ The hour digits are displayed and begin to blink.
 - ↳ If the hour digits are not displayed, press and hold \odot for more than 2 seconds to switch to standby mode, then repeat step 1.
- 2 Press + **VOL -** to set the hour, then press **CLOCK** again..
 - ↳ The minute digits are displayed and begin to blink.
- 3 Press + **VOL -** to set the minute.
- 4 Press **CLOCK** to confirm the clock setting.

Turn on

- 1 Press \odot .
 - ↳ The unit switches to the last selected source.

Switch to standby mode

- 1 Press \odot to switch the unit to Eco Power Standby mode.
 - ↳ The backlight on the display panel turns off.
 - ↳ The blue Eco Power indicator turns on.

To switch the unit to standby mode:

- 1 In Eco Power Standby mode, press and hold \odot for more than 3 seconds.
 - ↳ The clock (if set) appears on the display panel.
 - ↳ The blue Eco Power indicator turns off.

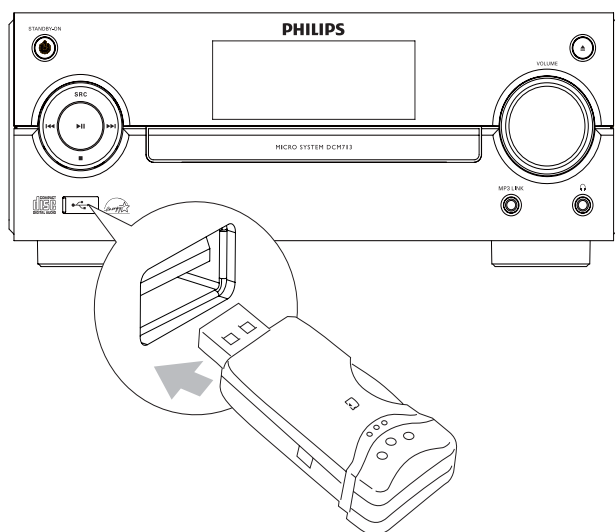
4 Play disc/USB

Play from disc

- 1 Press **CD** to select the CD source.
- 2 Press **OPEN/CLOSE**.
 - ↳ The disc tray opens.
- 3 Place a disc onto the tray and press **OPEN/CLOSE**.
 - ↳ Ensure that the label faces upwards.
- 4 Play starts automatically.
 - If play does not start, press **◀◀/▶▶** to select a track and then press **▶||**.

- 4 Press **ALBUM/PRESET▲/▼** to select a folder.
- 5 Press **◀◀/▶▶** to select a file.
- 6 Press **▶||** to start play.

Play from USB



Note

- Ensure that the USB device contains playable music.

- 1 Flip open the cover marked **↔** on the front panel.
- 2 Insert the USB plug of a USB device into the exposed socket.
- 3 Press **USB** to select the USB source.
 - ↳ The total number of tracks is displayed.

5 Control play

Skip to a track

For CD:

- 1 Press **⏮/⏭** to select another track.
 - To select a track directly, you can also press a key on the numerical keypad.



Tip

- To enter a 2 or 3-digit number, press **SHIFT**, then enter the number.

For MP3 disc and USB:

- 1 Press **ALBUM/PRESET▲/▼** to select an album or folder.
- 2 Press **⏮/⏭** to select a track or file.

Pause/resume play

- 1 During play, press **▶||** to pause/resume play.

Search within a track

- 1 During play, press and hold **⏮/⏭**.
- 2 Release to resume normal play.

Display play information

For CD:

- 1 Press **DISPLAY** repeatedly to see the following information.
 - ↳ The track number and elapsed play time of the current track
 - ↳ The track number and remaining play time of the current track
 - ↳ The track number and total remaining play time

For MP3 disc:

- 1 Press **DISPLAY** to display ID3 information (if available).

Repeat play

- 1 During play, press **REPEAT** repeatedly to select:
 - ↳ **[REPEAT]** (repeat): play the current track repeatedly.
 - ↳ **[REPEAT ALL]** (repeat all): play all tracks repeatedly.
 - ↳ **[REPEAT]** (repeat) and **[ALB]** (album) (for MP3 and USB only): play the current album repeatedly.
- 2 To return to normal play, press **REPEAT** until the selected function is no longer displayed.

Random play

- 1 Press **SHUFFLE**.
 - ↳ All tracks are played randomly.
- 2 To return to normal play, press **SHUFFLE** again.



Tip

- The repeat and shuffle functions cannot be activated at the same time.

Program tracks

You can program a maximum of 20 tracks.

- 1** Press **PROG** to activate the programming mode.
↳ A track number flashes.
- 2** Press **◀◀▶▶** to select a track number to program, then press **PROG** to confirm.
 - To select a track in an MP3 disc or USB device, first press **ALBUM/PRESET▲/▼** to select the album where the track is located.
 - **[P-X]** is displayed, where “X” is the next position in the program.
- 3** Repeat steps 2 to 3 to select and store all tracks to program.
- 4** Press **PROG** to complete.
↳ **[PROG]** (program) is displayed.
- 5** Press **▶||** to play the programmed tracks.
 - To erase the program, press **■**.

6 Play iPhone/iPod

You can enjoy audio from iPhone/iPod through this unit.

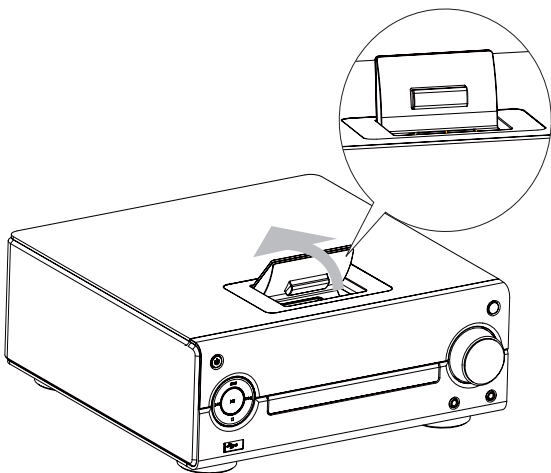
Compatible iPod/iPhone

Apple iPod models with a 30-pin dock connector:

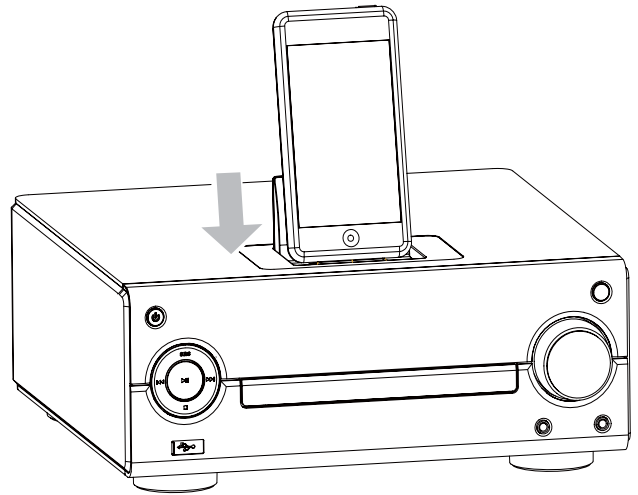
- iPod classic
- iPod touch
- iPod nano 1G/2G/3G
- iPod 5th generation
- iPhone, iPhone 3G

Listen to an iPhone/iPod through this unit

- 1 Lift up the iPhone/iPod dock on top panel until you hear a click.



- 2 Place the iPhone/iPod in the dock.



- 3 Press **iPhone/iPod** to select the iPhone/iPod source.
 - ↳ The connected iPhone/iPod plays automatically.
 - To pause/resume play, press **▶||**.
 - To skip to a track, press **◀◀▶▶**.
 - To search during play: press and hold **◀◀▶▶**, then release to resume normal play.
 - To navigate the menu: press **MENU**, then press **▲/▼/◀◀▶▶** to select, and press **OK** to confirm.

Charge the iPhone/iPod

The docked iPhone/iPod begins to charge as soon as the unit is connected to AC power.

Remove the iPhone/iPod

- 1 Pull the iPhone/iPod out of the dock.
- 2 Press down to hide the dock.

7 Tune to FM radio stations

- 1 Ensure that you have connected and fully extended the supplied FM antenna.
- 2 Press **FM**.
- 3 Press and hold **◀◀/▶▶**.
- 4 When the frequency starts to change, release the button.
 - ↳ The FM tuner tunes to a station with strong reception automatically.
- 5 Repeat steps 3-4 to tune to more stations.

To tune to a weak station:

Press **◀◀/▶▶** repeatedly until you find optimal reception.

Program radio stations automatically

Note

- You can program a maximum of 20 preset radio stations.

- 1 Press **ALBUM/PRESET▲/▼** to select a preset number to start programming.
- 2 Press and hold **PROG** for 2 seconds to activate automatic programming.
 - ↳ **[AUTO]** (auto) appears.
 - ↳ All available stations are programmed in the order of waveband reception strength.
 - ↳ The first programmed radio station is played automatically.

Program radio stations manually

Note

- You can program a maximum of 20 preset radio stations.

- 1 Tune to a radio station.
- 2 Press **PROG** to activate programming.
- 3 Press **ALBUM/PRESET▲/▼** to allocate a number from 1 to 20 to this radio station, then press **PROG** to confirm.
 - ↳ The preset number and the frequency of the preset station are displayed.
- 4 Repeat the above steps to program other stations.

Note

- To overwrite a programmed station, store another station in its place.

Tune to a preset radio station

- 1 Press **ALBUM/PRESET▲/▼** to select a preset number that you want.

Tip

- You can also use the numerical keypad to select a preset station directly.
- To enter a 2 or 3-digit number, press **SHIFT**, then enter the number.

Show RDS information

RDS (Radio Data System) is a service that allows FM stations to show additional information. If you tune to a RDS station, a RDS icon and the station name are displayed. When automatic programming is used, RDS stations are programmed first.

- 1 Tune to a RDS station.
- 2 Press **RDS** repeatedly to scroll through the following information (if available):
 - ↳ Station name
 - ↳ Program type such as **[NEWS]** (news), **[SPORT]** (sport), **[POP M]** (pop music)...
 - ↳ RDS clock
 - ↳ Frequency

Note

- See “Product information - RDS program types” for definitions of RDS program types.

Set RDS clock

You can use time signal broadcast together with the RDS signal to set the clock of the unit automatically.

- 1 Tune to a RDS radio station that transmits time signals.
 - ↳ The unit reads the RDS time and sets the clock automatically.

Note

- The accuracy of the transmitted time depends on the RDS station that transmits the time signal.

8 Adjust sound

Activate demonstration mode

You can see an overview of all features.

- 1 In standby mode, press **■** on the main unit to activate the demonstration mode.
↳ A demonstration of major available features starts.

To deactivate the demonstration mode:

- 1 Press **■** on the main unit again.

Adjust volume

- 1 During play, press **VOL +/-** to increase/decrease the volume.

Select automatic loudness control

The loudness feature enables the system to increase the treble and bass sound effect at low volume automatically (the higher the volume, the lower the treble and bass increase).

- 1 During play, press **LOUDNESS** to turn on/off automatic loudness control.

Adjust bass level

- 1 During play, press **BASS**.
- 2 Within 5 seconds, press **+ VOL -** to adjust bass level.

Adjust treble level

- 1 During play, press **TREBLE**.

- 2 Within 5 seconds, press **VOL +/-** to adjust treble level.

Mute sound

- 1 During play, press **MUTE** to mute/unmute sound.

9 Other features

Set the alarm timer

- 1 Ensure that you have set the clock correctly.
- 2 In standby mode, press and hold **SLEEP/TIMER**.
 - ↳ The hour digits are displayed and begin to blink.
- 3 Press **+ VOL -** to set the hour, then press **SLEEP/TIMER** again.
 - ↳ The minute digits are displayed and begin to blink.
- 4 Press **+ VOL -** to set the minute.
- 5 Press **SLEEP/TIMER** to confirm.
 - ↳ **[OFF]** (off) begins to blink.
- 6 To activate the wake-up timer, press **+ VOL -** to select **[ON]** (on) while **[OFF]** (off) is blinking.
 - ↳ A clock icon appears on the display.
 - ↳ The unit turns on automatically at the set time and switches to the last selected source.
 - ↳ To deactivate the alarm timer, select **[OFF]** (off) at step 6.

Set the sleep timer

- 1 When the unit is turned on, press **SLEEP/TIMER** repeatedly to select a set period of time (in minutes).
 - ↳ The unit turns off automatically after the set period of time.

Listen to an external device

You can also listen to an external audio device through this unit.


- 1 Press **AUX** to select MP3 link source.
- 2 Connect the supplied MP3 link cable to:
 - the **MP3 LINK** jack on this unit
 - the headphone jack on the device
- 3 Start to play the device. (See the device user manual)

Listen to an audio player

You can listen to audio player through this unit.

- 1 Connect the audio player.
 - For audio players with red/white audio output sockets:
Connect a red/white audio cable (not supplied) to the **AUX-IN** sockets and to the audio output sockets on the audio player.
 - For audio players with headphone sockets:
Connect the supplied MP3 Link cable to the **MP3 LINK** socket and to the headphone socket on the audio player.
- 2 Select the MP3 Link/AUX source.
- 3 Start play on the audio player.

Listen through headphone

- 1 Plug a headphone into the  socket on the unit.

10 Product information

Note

- Product information is subject to change without prior notice.

Specifications

Amplifier

Rated Output Power	2X50W RMS
Frequency Response	20 -20000 Hz, -3dB
Signal to Noise Ratio	>67dB
Aux Input	0.5 V RMS 20kohm

Disc

Laser Type	Semiconductor
Disc Diameter	12cm/8cm
Support Disc	CD-DA, CD-R, CD-RW, MP3-CD, WMA-CD
Audio DAC	24Bits / 44.1kHz
Total Harmonic Distortion	<1% (1 kHz)
Frequency Response	4Hz - 20kHz (44.1kHz)
S/N Ratio	>67dBA

Tuner (FM)

Tuning Range	87.5 - 108MHz
Tuning grid	50 KHz
Sensitivity	
- Mono, 26dB S/N Ratio	<22 dBf
- Stereo, 46dB S/N Ratio	>43 dBf
Search Selectivity	>28 dBf
Total Harmonic Distortion	<3%
Signal to Noise Ratio	>55 dB

Speakers

Speaker Impedance	4 ohm
Speaker Driver	5" woofer + 1" tweeter
Sensitivity	>85dB/m/W

General information

AC power	220 - 230V, 50Hz/60Hz
Operation Power Consumption	52W
Standby Power Consumption	<4W
Eco Standby Power Consumption	<1W
Audio Output	1Vpp ± 0.1Vpp 3.5kohm
Headphone Output	2x15mW 32ohm
USB Direct	Version 2.0 FS
Dimensions	
- Main Unit (W x H x D)	247 x 98 x 277mm
- Speaker Box (W x H x D)	160 x 255 x 240 mm
Weight	
- With Packing	10.5 kg
- Main Unit	1.82 kg
- Speaker Box	2 x 3.1 kg

USB playability information

Compatible USB devices:

- USB flash memory (USB 2.0 or USB1.1)
- USB flash players (USB 2.0 or USB1.1)
- memory cards (requires an additional card reader to work with this unit)

Supported formats:

- USB or memory file format FAT12, FAT16, FAT32 (sector size: 512 bytes)
- MP3 bit rate (data rate): 32-320 Kbps and variable bit rate
- WMA v9 or earlier
- Directory nesting up to a maximum of 8 levels
- Number of albums/ folders: maximum 99
- Number of tracks/titles: maximum 999
- ID3 tag v2.0 or later
- File name in Unicode UTF8 (maximum length: 128 bytes)

Unsupported formats:

- Empty albums: an empty album is an album that does not contain MP3/ WMA files, and is not be shown in the display.
- Unsupported file formats are skipped. For example, Word documents (.doc) or MP3 files with extension .dlf are ignored and not played.
- AAC, WAV, PCM audio files
- DRM protected WMA files (.wav, .m4a, .m4p, .mp4, .aac)
- WMA files in Lossless format

Supported MP3 disc formats

- ISO9660, Joliet
- Maximum title number: 512 (depending on file name length)
- Maximum album number: 255
- Supported sampling frequencies: 32 kHz, 44.1kHz, 48 kHz
- Supported Bit-rates: 32~256 (kbps), variable bit rates

RDS program types

NO TYPE	No RDS programme type
NEWS	News services
AFFAIRS	Politics and current affairs
INFO	Special information programs
SPORT	Sports
EDUCATE	Education and advanced training
DRAMA	Radio plays and literature
CULTURE	Culture, religion and society
SCIENCE	Science
VARIED	Entertainment programs
POP M	Pop music
ROCK M	Rock music
MOR M	Light music
LIGHT M	Light classical music
CLASSICS	Classical music
OTHER M	Special music programs
WEATHER	Weather
FINANCE	Finance
CHILDREN	Children's programs
SOCIAL	Social Affairs
RELIGION	Religion
PHONE IN	Phone In
TRAVEL	Travel
LEISURE	Leisure

JAZZ	Jazz Music
COUNTRY	Country Music
NATION M	National Music
OLDIES	Oldies Music
FOLK M	Folk Music
DOCUMENT	Documentary
TES	Alarm Test
ALARM	Alarm

11 Troubleshooting



Warning

- Never remove the casing of this apparatus.

To keep the warranty valid, never try to repair the system yourself.

If you encounter problems when using this apparatus, check the following points before requesting service. If the problem remains unsolved, go to the Philips web site (www.philips.com/welcome). When you contact Philips, ensure that the apparatus is nearby and the model number and serial number are available.

No power

- Ensure that the AC power cord of the unit is connected properly.
- Ensure that there is power at the AC outlet.
- As a power-saving feature, the system switches off automatically 15 minutes after track play reaches the end and no control is operated.

No sound or poor sound

- Adjust the volume.
- Disconnect the headphones.
- Check that the speakers are connected correctly.
- Check if the stripped speaker wires are clamped.

No response from the unit

- Disconnect and reconnect the AC power plug, then turn on the unit again.
- As a power-saving feature, the system switches off automatically 15 minutes after track play reaches the end and no control is operated.

Remote control does not work

- Before you press any function button, first select the correct source with the remote control instead of the main unit.
- Reduce the distance between the remote control and the unit.
- Insert the battery with its polarities (+/- signs) aligned as indicated.
- Replace the battery.
- Aim the remote control directly at the sensor on the front of the unit.

No disc detected

- Insert a disc.
- Check if the disc is inserted upside down.
- Wait until the moisture condensation at the lens has cleared.
- Replace or clean the disc.
- Use a finalized CD or correct format disc.

Cannot display some files in USB device

- The number of folders or files in the USB device has exceeded a certain limit. This phenomenon is not a malfunction.
- The formats of these files are not supported.

USB device not supported

The USB device is incompatible with the unit. Try another one.

Poor radio reception

- Increase the distance between the unit and your TV or VCR.
- Fully extend the FM antenna.
- Connect an outdoor FM antenna instead.

Timer does not work

- Set the clock correctly.
- Switch on the timer.

Clock/timer setting erased

- Power has been interrupted or the power cord has been disconnected.
- Reset the clock/timer.

