

Register your product and get support at
www.philips.com/welcome

DCM7005



EN	User manual	3
DE	Benutzerhandbuch	25
ES	Manual del usuario	47
FR	Mode d'emploi	69

IT	Manuale utente	93
NL	Gebruiksaanwijzing	117
PT	Manual do utilizador	141
SV	Användarhandbok	163

PHILIPS

DEMO MODE

To turn ON

Press



button

(in standby mode)

To turn OFF

Press



button

(in standby mode)

Contents

1 Important	4
Safety	4
Notice	5
2 Your Micro Hi-Fi System	8
Introduction	8
What's in the box	8
Product overview	9
3 Get started	12
Connect speakers	12
Connect FM antenna	12
Connect power	13
Prepare the remote control	13
Set clock	14
Turn on	14
Demonstrate the unit's features	14
Adjust brightness of display panel	14
Turn on or off LED light	14
4 Play	15
Basic play operations	15
Play from disc	15
Play from USB	16
Adjust sound	16
5 Play from iPod/iPhone/iPad	17
Compatible iPod/iPhone/iPad	17
Listen to the iPod/iPhone/iPad	17
Charge the iPod/iPhone/iPad	17
Remove the iPod/iPhone/iPad	17
6 Listen to FM radio	18
Plug & Play Installation	18
Tune to FM radio stations	18
Program radio stations automatically	18
Program radio stations manually	18
Tune to a preset radio station	19
Show RDS information	19
7 Other features	20
Set alarm timer	20
Set the sleep timer	20
Listen to external audio device	20
Listen through headphone	21
8 Product information	22
Specifications	22
USB playability information	23
Supported MP3 disc formats	23
9 Troubleshooting	24

1 Important

Safety

Know these safety symbols



This 'bolt of lightning' indicates uninsulated material within your unit may cause an electrical shock. For the safety of everyone in your household, please do not remove product covering.

The 'exclamation mark' calls attention to features for which you should read the enclosed literature closely to prevent operating and maintenance problems. **WARNING:** To reduce the risk of fire or electric shock, this apparatus should not be exposed to rain or moisture and objects filled with liquids, such as vases, should not be placed on this apparatus.

CAUTION: To prevent electric shock, fully insert the plug. (For regions with polarized plugs: To prevent electric shock, match wide blade to wide slot.)

Important Safety Instructions

- ① Read these instructions.
- ② Keep these instructions.
- ③ Heed all warnings.
- ④ Follow all instructions.
- ⑤ Do not use this apparatus near water.
- ⑥ Clean only with dry cloth.
- ⑦ Do not block any ventilation openings. Install in accordance with the manufacturer's instructions.
- ⑧ Do not install near any heat sources such as radiators, heat registers, stoves, or other apparatus (including amplifiers) that produce heat.
- ⑨ Protect the power cord from being walked on or pinched, particularly at plugs, convenience receptacles, and the point where they exit from the apparatus.
- ⑩ Only use attachments/accessories specified by the manufacturer.
- ⑪ Use only with the cart, stand, tripod, bracket, or table specified by the manufacturer or sold with the apparatus. When a cart is used, use caution when moving the cart/apparatus combination to avoid injury from tip-over.
- ⑫ Unplug this apparatus during lightning storms or when unused for long periods of time.
- ⑬ Refer all servicing to qualified service personnel. Servicing is required when the apparatus has been damaged in any way, such as power-supply cord or plug is damaged, liquid has been spilled or objects have fallen into the apparatus, the apparatus has been exposed to rain or moisture, does not operate normally, or has been dropped.
- ⑭ Battery usage **CAUTION** – To prevent battery leakage which may result in bodily injury, property damage, or damage to the unit:
 - Install all batteries correctly, + and - as marked on the unit.
 - Do not mix batteries (old and new or carbon and alkaline, etc.).



- Remove batteries when the unit is not used for a long time.
- Batteries (battery pack or batteries installed) shall not be exposed to excessive heat such as sunshine, fire or the like.

- ⑮ **Apparatus shall not be exposed to dripping or splashing.**
- ⑯ **Do not place any sources of danger on the apparatus (e.g. liquid filled objects, lighted candles).**
- ⑰ **Where the MAINS plug or an appliance coupler is used as the disconnect device, the disconnect device shall remain readily operable.**



Warning

- Never remove the casing of this apparatus.
- Never lubricate any part of this apparatus.
- Never place this apparatus on other electrical equipment.
- Keep this apparatus away from direct sunlight, naked flames or heat.
- Never look into the laser beam inside the apparatus.
- Ensure that you always have easy access to the power cord, plug or adaptor to disconnect the apparatus from the power.



Caution

- Use of controls or adjustments or performance of procedures other than herein may result in hazardous radiation exposure or other unsafe operation.

Hearing safety

Listen at a moderate volume.

- Using headphones at a high volume can impair your hearing. This product can produce sounds in decibel ranges that may cause hearing loss for a normal person, even for exposure less than a minute. The higher decibel ranges are offered for those that may have already experienced some hearing loss.

- Sound can be deceiving. Over time your hearing 'comfort level' adapts to higher volumes of sound. So after prolonged listening, what sounds 'normal' can actually be loud and harmful to your hearing. To guard against this, set your volume to a safe level before your hearing adapts and leave it there.

To establish a safe volume level:

- Set your volume control at a low setting.
- Slowly increase the sound until you can hear it comfortably and clearly, without distortion.

Listen for reasonable periods of time:

- Prolonged exposure to sound, even at normally 'safe' levels, can also cause hearing loss.
- Be sure to use your equipment reasonably and take appropriate breaks.

Be sure to observe the following guidelines when using your headphones.

- Listen at reasonable volumes for reasonable periods of time.
- Be careful not to adjust the volume as your hearing adapts.
- Do not turn up the volume so high that you can't hear what's around you.
- You should use caution or temporarily discontinue use in potentially hazardous situations. Do not use headphones while operating a motorized vehicle, cycling, skateboarding, etc.; it may create a traffic hazard and is illegal in many areas.

Notice

Any changes or modifications made to this device that are not expressly approved by WOOX Innovations may void the user's authority to operate the equipment.



This product complies with the radio interference requirements of the European Community.



Your product is designed and manufactured with high quality materials and components, which can be recycled and reused.



When this crossed-out wheeled bin symbol is attached to a product it means that the product is covered by the European Directive 2002/96/EC.

Please inform yourself about the local separate collection system for electrical and electronic products.

Please act according to your local rules and do not dispose of your old products with your normal household waste. Correct disposal of your old product helps to prevent potential negative consequences for the environment and human health.



Your product contains batteries covered by the European Directive 2006/66/EC, which cannot be disposed with normal household waste. Please inform yourself about the local rules on separate collection of batteries because correct disposal helps to prevent negative consequences for the environmental and human health.

Environmental information

All unnecessary packaging has been omitted. We have tried to make the packaging easy to separate into three materials: cardboard (box), polystyrene foam (buffer) and polyethylene (bags, protective foam sheet.)

Your system consists of materials which can be recycled and reused if disassembled by a specialized company. Please observe the local regulations regarding the disposal of packaging materials, exhausted batteries and old equipment.



**Be responsible
Respect copyrights**

The making of unauthorized copies of copy-protected material, including computer programs, files, broadcasts and sound recordings, may be an infringement of copyrights and constitute a criminal offence. This equipment should not be used for such purposes.

Made for



iPod



iPhone



iPad

"Made for iPod," "Made for iPhone," and "Made for iPad" mean that an electronic accessory has been designed to connect specifically to iPod, iPhone, or iPad, respectively, and has been certified by the developer to meet Apple performance standards. Apple is not responsible for the operation of this device or its compliance with safety and regulatory standards. Please note that the use of this accessory with iPod, iPhone, or iPad may affect wireless performance.

iPod and iPhone are trademarks of Apple Inc., registered in the U.S. and other countries. iPad is a trademark of Apple Inc.

This apparatus includes this label:



Class II equipment symbol:



CLASS II apparatus with double insulation,
and no protective earth provided.



Note

- The type plate is located at the rear of the apparatus.

Norge

Typeskilt finnes på apparatens underside.

Observer: Nettbryteren er sekundert innkoplet.

Den innebygde nettdelen er derfor ikke
frakoplet nettet så lenge apparatet er tilsluttet
nettkontakten.

For å redusere faren for brann eller elektrisk
støt, skal apparatet ikke utsettes for regn eller
fuktighet.

2 Your Micro Hi-Fi System

Congratulations on your purchase, and welcome to Philips! To fully benefit from the support that Philips offers, register your product at www.Philips.com/welcome.

Introduction

With this unit, you can:

- enjoy audio from discs, USB devices, iPod, iPhone, iPad and other external devices
- listen to radio stations

You can enrich sound output with these sound effects:

- Treble and Bass Control
- Loudness Control

The unit supports these media formats:



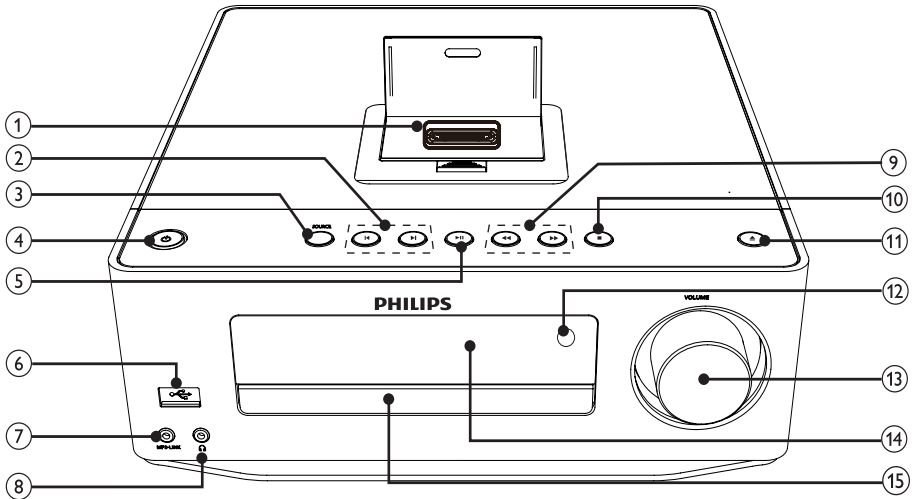
What's in the box

Check and identify the contents of your package:

- Main unit
- Loudspeaker boxes x 2
- AC power cord
- Speaker connection cables
- MP3 link cable
- FM antenna
- Remote control with 2 AAA batteries
- User manual

Product overview

Main unit



① Dock of iPod, iPhone and iPad.

② ⏮ / ▶

- Skip to the previous/next track.
- Select a preset radio station.

③ SOURCE

- Select a source.

④ ⏻

- Turn on this product
- Switch to Eco Power standby or standby mode.

⑤ ▶ ||

- Start or pause play.

⑥ USB

- Connect to a USB flash drive.

⑦ MP3 LINK

- Connect to an external audio device.

⑧ 🎧

- Headphone socket.

⑨ ⏮ / ▶

- Search backward or forward.
- Search to a radio station.

⑩ ■

- Stop play.
- (In standby mode) Turn on/off Demo mode.

⑪ ▲

- Open or close the disc compartment.

⑫ IR sensor

- Detect signals from the remote control. Always point the remote control at the IR sensor.

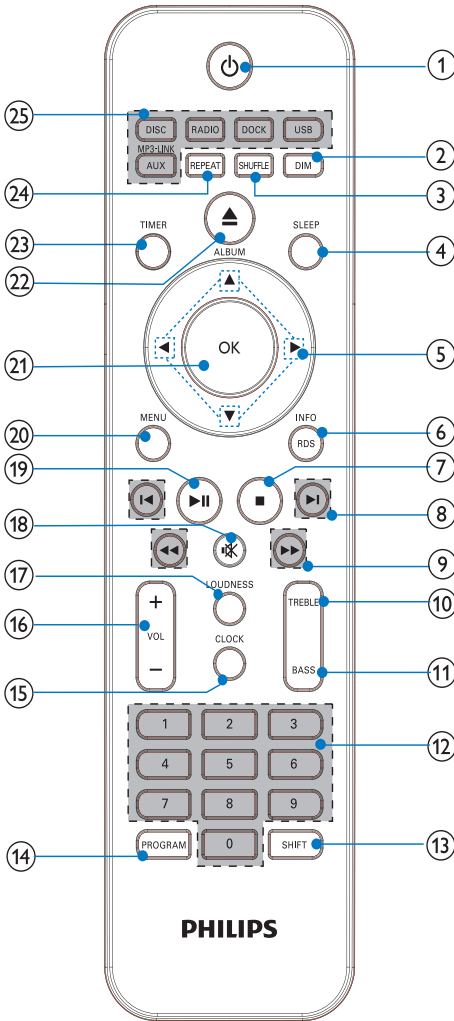
⑬ VOLUME

- Adjust volume.
- Adjust time.

⑭ Display panel

⑮ Disc compartment




Remote control



- ① **Power**
- Turn on this product.
 - Switch to Eco Power standby or standby mode.

- ② **DIM**
- Adjust brightness of display panel.
 - (Press and hold) Turn on or off the LED light at the bottom of the unit and at the volume knob.

- ③ **SHUFFLE**
- Play tracks randomly.
- ④ **SLEEP**
- Set the sleep timer.
- ⑤ **Navigation arrows**
- Navigate through the menus.
 - ▲▼: Skip to previous/next album;
- ⑥ **RDS/INFO**
- For selected FM radio stations: display RDS information.
 - Display the current status or the disc information.
 - Display the ID3 information (if available) of MP3 tracks.
- ⑦ **Stop**
- Stop play.
 - (In standby mode) Turn on/off Demo mode.
- ⑧ **Fast Forward / Previous**
- Skip to the previous/next track.
 - Select a preset radio station.
- ⑨ **Search**
- Search backward or forward.
 - Search to a radio station.
- ⑩ **TREBLE**
- Activate treble level
- ⑪ **BASS**
- Activate bass level
- ⑫ **Numeric keypad**
- Select a track directly.
- ⑬ **SHIFT**
- Enter a two or three-digit number (with the numeric keypad).
- ⑭ **PROGRAM**
- Program radio stations.
- ⑮ **CLOCK**
- Set the clock.
 - Display the set clock.

- ⑩ **VOL +/-**
 - Adjust volume.
 - Adjust time.
- ⑪ **LOUDNESS**
 - Turn on or off automatic loudness adjustment.
- ⑫ ****
 - Mute or restore volume.
- ⑬ ****
 - Start or pause play.
- ⑭ **MENU**
 - Access iPod/iPhone menu.
- ⑮ **OK**
 - Confirm an entry or selection.
- ⑯ ****
 - Open or close the disc compartment.
- ⑰ **TIMER**
 - Set alarm timer.
- ⑱ **REPEAT**
 - Select a repeat play mode.
- ⑲ **Source buttons**
 - Select a source.

3 Get started

! **Caution**

- Use of controls or adjustments or performance of procedures other than herein may result in hazardous radiation exposure or other unsafe operation.

Always follow the instructions in this chapter in sequence.

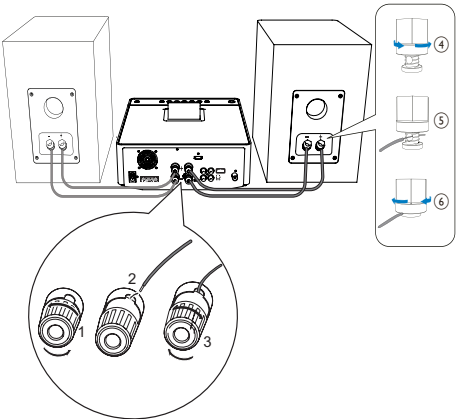
If you contact Philips, you will be asked for the model and serial number of this apparatus. The model number and serial number are on the back of the apparatus. Write the numbers here:

Model No. _____
Serial No. _____

Connect speakers

≡ **Note**

- Ensure that the colors of the speaker wires and terminals are matched.
- For optimal sound, use the supplied speakers only.
- Connect only speakers with impedance that is the same or higher than the supplied speakers. Refer to the Specifications section of this manual.



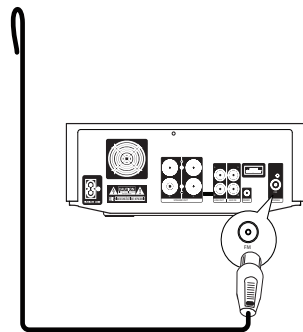
For the main unit side:

- 1 Unscrew the speaker connectors.
- 2 Insert fully the red end of a speaker cable into the left red (+) connector.
- 3 Screw the left red (+) connector to secure the cable.
- 4 Insert fully the silver end of a speaker cable into the left black (-) connector.
- 5 Screw the left black (-) connector to secure the cable.
- 6 Repeat steps 2-5 to insert the other speaker cable into the right connectors.

For the speaker side:

- 1 Unscrew the speaker connectors.
- 2 For the left speaker, identify the speaker cable that is connected to the left connectors on the main unit.
- 3 Insert fully the red end of the speaker cable into the red (+) connector.
- 4 Screw the red (+) connector to secure the cable.
- 5 Insert fully the silver end of the speaker cable into the black (-) connector.
- 6 Screw the black (-) connector to secure the cable.
- 7 Repeat steps 2-6 for the right speaker.

Connect FM antenna



Tip

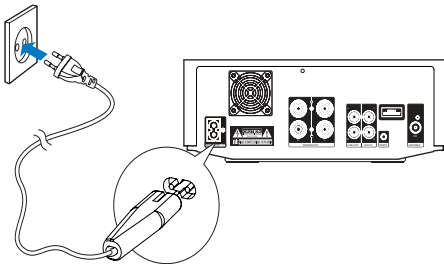
- For optimal reception, fully extend and adjust the position of the antenna.
- For better FM stereo reception, connect an outdoor FM antenna to the **FM ANTENNA** socket.
- The unit does not support MW radio reception.

- 1 Connect the supplied FM antenna to the **FM ANTENNA** socket on the main unit.

Connect power

Caution

- Risk of product damage! Ensure that the power supply voltage corresponds to the voltage printed on the back or the underside of the unit.
- Risk of electric shock! When you unplug the AC power cord, always pull the plug from the socket. Never pull the cord.
- Before you connect the AC power cord, ensure that you have completed all other connections.



- 1 Connect the power cable to:
 - the **AC~** jack on the main unit.
 - the wall socket.

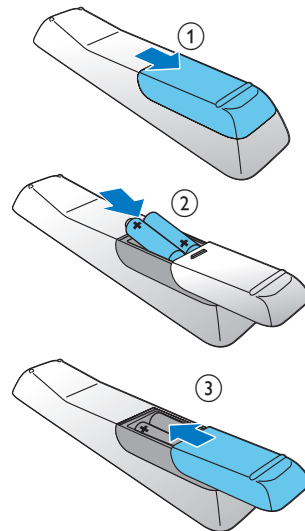
Prepare the remote control

Caution

- Risk of explosion! Keep batteries away from heat, sunshine or fire. Never discard batteries in fire.

To insert the remote control battery:

- 1 Open the battery compartment.
- 2 Insert 2 AAA batteries with correct polarity (+/-) as indicated.
- 3 Close the battery compartment.



Note

- If you are not going to use the remote control for a long time, remove the batteries.
- Do not use old and new or different types of batteries in combination.
- Batteries contain chemical substances, so they should be disposed of properly.

Set clock

- 1 In standby mode, press **CLOCK** for 3 seconds to activate clock setting mode.
 - ↳ **[CLOCK SET]** scrolls on the display, then the time format **[24H]** or **[12H]** appears.
- 2 Press **VOL +/-** to select 24H or 12H, then press **CLOCK** to confirm.
 - ↳ The hour digits begin to blink.
- 3 Press **VOL +/-** to set hour, then press **CLOCK** again.
 - ↳ The minute digits begin to blink.
- 4 Press **VOL +/-** to set minute.
- 5 Press **CLOCK** to confirm the clock setting.



Note

- If no button is pressed in 90 seconds, the system exits clock setting mode automatically.

Turn on

- 1 Press **⏻**.
 - ↳ The unit switches to the last selected source.

Switch to standby mode

Press **⏻** to switch the Hi-Fi system to standby mode.

- ↳ The clock (if set) appears on the display panel.

To switch the system to Eco Power Standby mode:

In standby mode, press and hold **⏻** for 2 seconds.

- ↳ **[ECO POWER]** (Eco power) scrolls on the display, then the backlight turns off.

Demonstrate the unit's features

In the standby mode, press **■** until "DEMO ON" is displayed.

- ↳ Available features are displayed one by one.
 - To turn off the demonstration, press **■** again.

Adjust brightness of display panel

Press **DIM** repeatedly to select different brightness levels.

Turn on or off LED light

In power-on mode, press and hold **DIM** to turn on or off the LED light at the bottom of the unit and at the volume knob.

4 Play

Basic play operations

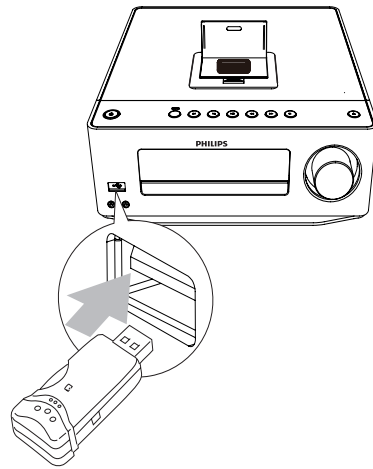
You can control play through following operations.

Key	Function
◀◀ / ▶▶	Press and hold to fast-forward/ fast-reverse the track during playback, then release to resume play.
▶	To pause/resume play during playback.
INFO	select different play information.
REPEAT	To select a repeat play mode: [REP] (repeat): play current track repeatedly. [REP ALL] (repeat all): play all tracks repeatedly. Press again to return to normal play.
SHUFFLE	To play tracks randomly. Press again to return to normal play.

Play from disc


- 1 Press **DISC** to select the CD source.
- 2 Press **▲**.
↳ The disc compartment opens.
- 3 Place a disc with the printed side facing up, then press **▲**.
- 4 Play starts automatically.
 - If play does not start, press **◀◀ / ▶▶** to select a track, then press **▶||**.

Play from USB



Warning

- Ensure that the USB device contains playable audio contents for supported formats.

- 1 Flip open the cover marked  on the front panel.
- 2 Insert the USB device into the USB socket.
- 3 Press **USB** to select the USB source.
↳ Play starts automatically. If not, press **ALBUM/ ▲▼** to select a folder and **◀◀ / ▶▶** to select a file. Then press **OK** to start play.

Adjust sound

During play, you can adjust volume through following operations.

Key	Function
VOL +/-	To increase/decrease the volume.
⊘	To mute/restore sound.
LOUDNESS	To turn on/off automatic loudness control.
BASS	Press BASS to activate bass level, and then adjust with VOL +/- .
TREBLE	Press TREBLE to activate treble level, and then adjust with VOL +/- .

5 Play from iPod/iPhone/iPad

You can enjoy audio from iPod/iPhone/iPad through this unit.

Compatible iPod/iPhone/iPad

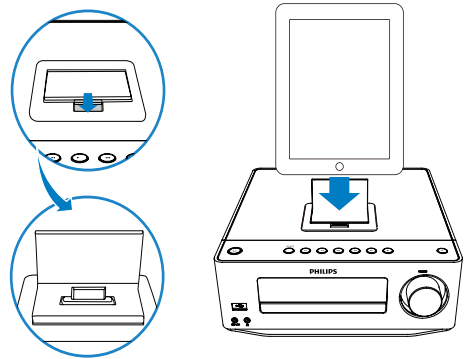
The unit supports the following iPod, iPhone, and iPad models:

Made for:

- iPod nano (1st, 2nd, 3rd, 4th, 5th, and 6th generation)
- iPod touch (1st, 2nd, 3rd and 4th generation)
- iPod Mini
- iPhone
- iPhone 3G
- iPhone 3GS
- iPhone 4
- iPad

Listen to the iPod/iPhone/iPad

- 1 Press **DOCK** to select the iPhone/iPod/iPad source.
- 2 Open the iPhone/iPod/iPad dock on the top panel and place the iPhone/iPod/iPad in the dock.



- To pause/resume play, press **▶||**.
- To skip to a track, press **◀|** / **|▶**.
- To search during play: press and hold **◀◀** / **▶▶**, then release to resume normal play.
- To navigate the menu: press **MENU** and **▲** / **▼** to select items, then press **OK** to confirm.

Note

- When iPod/iPhone/iPad source is selected, you cannot enjoy audio through the headphone socket.

Charge the iPod/iPhone/iPad

The docked iPod/iPhone/iPad begins to charge as soon as the unit is connected to AC power.

Note

- iPod with color display, iPod classic, and iPod with video are not compatible with dock charging.

Remove the iPod/iPhone/iPad

- 1 Pull the iPhone/iPod/iPad off the dock.
- 2 Flip down the lid to hide the dock.

6 Listen to FM radio

Plug & Play Installation

when the unit turn to Radio mode, and No radio stations are stored, **[AUTO INSTALL - PRESS PLAY, STOP CANCEL]** (to auto install, press **▶||**; to cancel, press **■**) displays.

- 1 Press **▶||** on the main unit to start installation.
 - ↳ The unit automatically stores radio stations with sufficient signal strength.
 - ↳ When all the available radio stations are stored, the first preset radio station is broadcast automatically.

Toexit Plug and Play installation mode

- 2 press source keys or **⊕** on the remote control.
 - ↳ The system switches to the designated source mode or standby mode.

Tune to FM radio stations



Warning

- Ensure that you have connected and fully extended the supplied FM antenna.

- 1 Press **RADIO**.
- 2 Press and hold **◀◀/▶▶** to search to a radio station.
- 3 When the frequency starts to change, release the button.
 - ↳ The FM tuner tunes to a station with strong reception automatically.
- 4 Repeat steps 2-3 to tune to more stations.

To tune to a weak station:

Press **◀◀/▶▶** repeatedly until you find optimal reception.



Tip

- **[STEREO]** is default setting for tuner mode.
- Under tuner mode, you can press **OK** repeatedly to toggle between **[STEREO]** and **[MONO]**, and the unit memorizes your setting even if you turn off the unit or turn to other sources.

Program radio stations automatically



Note

- You can program a maximum of 20 preset radio stations.

- 1 In tuner mode, press and hold **PROGRAM** for 2 seconds to activate automatic program mode.
 - ↳ **[AUTO]** (auto) is displayed and begins to blink.
 - ↳ The first programmed radio station is broadcast automatically.

Program radio stations manually



Note

- You can program a maximum of 20 preset radio stations.

- 1 Tune to a radio station.
- 2 Press **PROGRAM** to activate programming.

- 3 Press **◀/▶** to allocate a number from 1 to 20 to this radio station, then press **PROGRAM** to confirm.
 - ↳ The preset number and the frequency of the preset station are displayed.
- 4 Repeat the above steps to program other stations.



Note

- To overwrite a programmed station, store another station in its place.

Tune to a preset radio station

- 1 Press **◀/▶** to select a preset number that you want.

Show RDS information

RDS (Radio Data System) is a service that allows FM stations to show additional information. If you tune to a RDS station, a RDS icon and the station name are displayed.

- 1 Tune to a RDS station.
- 2 Press **RDS** repeatedly to scroll through the following information (if available):
 - ↳ Station name
 - ↳ Program type such as **[NEWS]** (news), **[SPORT]** (sport), **[POP M]** (pop music)...
 - ↳ RDS clock
 - ↳ Frequency

Synchronize clock with RDS

You can synchronize time shown on the unit with that on the RDS station.

- 1 Tune to a RDS radio station that transmits time signals.
- 2 Press **RDS** for over 2 seconds.
 - ↳ **[CT SYNC]** is displayed and the unit reads RDS time automatically.
 - ↳ If no time signal is received, **[NO CT]** is displayed.



Note

- The accuracy of the transmitted time depends on the RDS station that transmits the time signal.

7 Other features

Set alarm timer

This unit can be used as an alarm clock. You can select CD, Dock, iPod/iPhone playlist, FM or USB as alarm source.




Note

- Make sure that you have set the clock correctly.

- 1 In standby mode, press and hold **TIMER** until **[TIMER SET]** scrolls on the display.
- 2 Press source buttons on the remote control to select a source: CD, FM, USB, Dock or iPod/iPhone playlist.
 - If iPod/iPhone playlist is selected as alarm source, you need create a playlist called "PHILIPS" in your iPod/iPhone.
 - If no playlist called "PHILIPS" is created in the iPod/iPhone or no track is stored in the playlist, the unit switches to iPod/iPhone alarm source.
- 3 Press **TIMER** to confirm.
 - ↳ The hour digits are displayed and begin to blink.
- 4 Press **VOL +/-** repeatedly to set hour, then press **TIMER** again to confirm.
 - ↳ The minute digits are displayed and begin to blink.
- 5 Press **VOL +/-** to set minute, then press **TIMER** to confirm.
 - ↳ **VOL** (volume) is displayed and begins to blink.
- 6 Press **VOL +/-** to adjust volume, then press **TIMER** to confirm.

Activate/deactivate alarm timer

- 1 In standby mode, press **TIMER** repeatedly to activate or deactivate timer.
 - ↳ If timer is activated,  is displayed.



Tip

- Alarm timer is not available in MP3 LINK mode.
- If CD/USB/iPod/iPhone source is selected, yet no disc is placed or no USB/iPod/iPhone connected, the system switches to the tuner source automatically.

Set the sleep timer

This unit can switch to standby automatically after a set period of time.

- 1 When the unit is turned on, press **SLEEP** repeatedly to select a set period of time (in minutes).
 - ↳ When sleep timer is activated, the display shows **zZ**.

To deactivate sleep timer

- 1 Press **SLEEP** repeatedly until "SLEEP OFF" is displayed.
 - ↳ When sleep timer is deactivated, **zZ** disappears.

Listen to external audio device


You can listen to an external audio device such as MP3 player through this unit.

- 1 Connect the audio device.
 - For audio device with red/white audio output sockets: Connect a red/white audio cable (not supplied) to the **AUX IN** sockets and to the audio output sockets on the audio device.

- For audio device with headphone sockets:
Connect the supplied MP3 Link cable to the **MP3 LINK** socket and to the headphone socket on the audio device.

- 2 Select **MP3 LINK/AUX** source.
- 3 Play the device.

Listen through headphone

- 1 Plug a headphone into the  socket on the unit.

8 Product information



Note

- Product information is subject to change without prior notice.

Specifications

Amplifier

Rated Output Power	2 X 50W RMS
Frequency Response	20 - 20000 Hz, ± 3 dB
Signal to Noise Ratio	>82dBA
Aux Input	1000 mV RMS 22kohm

Disc

Laser Type	Semiconductor
Disc Diameter	12cm/8cm
Support Disc	CD-DA, CD-R, CD-RW, MP3-CD, WMA-CD
Audio DAC	24Bits / 44.1kHz
Total Harmonic Distortion	<0.8% (1kHz)
Frequency Response	4Hz -20kHz (44.1kHz)
S/N Ratio	>82dBA

Tuner-Specs

Tuning Range	FM: 87.5 - 108MHz
Tuning grid	50KHz
- Mono, 26dB S/N Ratio	<22 dBf
- Stereo, 46dB S/N Ratio	<43 dBf
Search Sensitivity	<28dBf
Total Harmonic Distortion	<2%
Signal to Noise Ratio	>55dB

Speakers

Speaker Impedance	6ohm
Speaker Driver	13 cm woofer + 2.5 cm Dome tweeter
Sensitivity	>86dB/m/W \pm 4dB/m/W

General information

AC power	230V, 50Hz
Operation Power Consumption	38W
Headphone output	2X15mW 32ohm
USB Direct	version 2.0FS
Dimensions	
- Main Unit (W x H x D)	250 x 92 x 285mm
- Speaker Box (W x H x D)	174 x 260 x 240mm
Weight	
- With Packing	10 kg
- Main Unit	2.5 kg
- Speaker Box	6.1 kg

USB playability information

Compatible USB devices:

- USB flash memory (USB 2.0 or USB1.1)
- USB flash players (USB 2.0 or USB1.1)
- memory cards (requires an additional card reader to work with this unit)

Supported formats:

- USB or memory file format FAT12, FAT16, FAT32 (sector size: 512 bytes)
- MP3 bit rate (data rate): 32-320 Kbps and variable bit rate
- WMA v9 or earlier
- Directory nesting up to a maximum of 8 levels
- Number of albums/ folders: maximum 99
- Number of tracks/titles: maximum 999
- ID3 tag v2.0 or later
- File name in Unicode UTF8 (maximum length: 64 bytes)

Unsupported formats:

- Empty albums: an empty album is an album that does not contain MP3/WMA files, and is not be shown in the display.
- Unsupported file formats are skipped. For example, Word documents (.doc) or MP3 files with extension .dlf are ignored and not played.
- AAC, WAV, PCM audio files
- DRM protected WMA files (.wav, .m4a, .m4p, .mp4, .aac)
- WMA files in Lossless format

Supported MP3 disc formats

- ISO9660, Joliet
- Maximum title number: 512 (depending on file name length)
- Maximum album number: 255
- Supported sampling frequencies: 32 kHz, 44.1kHz, 48 kHz
- Supported Bit-rates: 32~320 (kbps), variable bit rates

9 Troubleshooting



Warning

- Never remove the casing of this apparatus.

To keep the warranty valid, never try to repair the system yourself.

If you encounter problems when using this apparatus, check the following points before requesting service. If the problem remains unsolved, go to the Philips web site (www.philips.com/support). When you contact Philips, ensure that the apparatus is nearby and the model number and serial number are available.

No power

- Ensure that the AC power cord of the unit is connected properly.
- Ensure that there is power at the AC outlet.
- As a power-saving feature, the system switches off automatically 15 minutes after track play reaches the end and no control is operated.

No sound or poor sound

- Adjust the volume.
- Disconnect the headphones.
- Check that the speakers are connected correctly.
- Check if the stripped speaker wires are clamped.

No response from the unit

- Disconnect and reconnect the AC power plug, then turn on the unit again.
- As a power-saving feature, the system switches off automatically 15 minutes after track play reaches the end and no control is operated.

Remote control does not work

- Before you press any function button, first select the correct source with the remote control instead of the main unit.
- Reduce the distance between the remote control and the unit.
- Insert the battery with its polarities (+/- signs) aligned as indicated.
- Replace the battery.
- Aim the remote control directly at the sensor on the front of the unit.

No disc detected

- Insert a disc.
- Check if the disc is inserted upside down.
- Wait until the moisture condensation at the lens has cleared.
- Replace or clean the disc.
- Use a finalized CD or correct format disc.

Cannot display some files in USB device

- The number of folders or files in the USB device has exceeded a certain limit. This phenomenon is not a malfunction.
- The formats of these files are not supported.

USB device not supported

- The USB device is incompatible with the unit. Try another one.

Poor radio reception

- Increase the distance between the unit and your TV or VCR.
- Fully extend the FM antenna.
- Connect an outdoor FM antenna instead.

Timer does not work

- Set the clock correctly.
- Switch on the timer.

Clock/timer setting erased

- Power has been interrupted or the power cord has been disconnected.
- Reset the clock/timer.



Specifications are subject to change without notice.
2014 © WOOX Innovations Limited. All rights reserved.
This product was brought to the market by WOOX
Innovations Limited or one of its affiliates, further referred
to in this document as WOOX Innovations, and is the
manufacturer of the product. WOOX Innovations is the
warrantor in relation to the product with which this booklet
was packaged. Philips and the Philips Shield Emblem are
registered trademarks of Koninklijke Philips N.V.
DCM7005_12_UM_V4.0

