

Register your product and get support at
www.philips.com/welcome

DCM580



EN User manual

PHILIPS

For users in the U.K.: Please follow the instructions below.

Important notes for users in the U.K.

Mains plug

This apparatus is fitted with an approved 5 Amp plug. To change a fuse in this type of plug proceed as follows:

- 1 Remove fuse cover and fuse.
- 2 Fix new fuse which should be a BS1363 5 Amp, A.S.T.A. or BSI approved type.
- 3 Refit the fuse cover.

If the fitted plug is not suitable for your socket outlets, it should be cut off and an appropriate plug fitted in its place.

If the mains plug contains a fuse, this should have a value of 5 Amp. If a plug without a fuse is used, the fuse at the distribution board should not be greater than 5 Amp.

Note: The severed plug must be disposed off to avoid a possible shock hazard should it be inserted into a 5 Amp socket elsewhere.

How to connect a plug

The wires in the mains lead are coloured with the following code: blue = neutral (N), brown = live (L).

As these colours may not correspond with the colour markings identifying the terminals in your plug, proceed as follows:

- Connect the blue wire to the terminal marked N or coloured black.
- Connect the brown wire to the terminal marked L or coloured red.
- Do not connect either wire to the earth terminal in the plug, marked E (or \perp) or coloured green (or green and yellow).

Before replacing the plug cover, make certain that the cord grip is clamped over the sheath of the lead - not simply over the two wires.

Copyright in the U.K.

Recording and playback of material may require consent. see Copyright Act 1956 and The performer's Protection Acts 1958 to 1972.

Contents

1 Important	4
Safety	4
Notice	5

2 Your Docking Entertainment System	7
Introduction	7
What's in the box	7
Overview of the main unit	8
Overview of the remote control	9

3 Get started	11
Connect FM antenna	11
Connect power	11
Prepare the remote control	12
Set clock	12
Turn on	12

4 Play disc	13
--------------------	----

5 Play from USB	14
------------------------	----

6 Play options	15
Skip to a track	15
Pause/resume play	15
Search within a track	15
Display play information	15
Repeat play	15
Random play	15
Program tracks	15

7 Play iPhone/iPod	16
Compatible iPod/iPhone	16
Load the iPhone/iPod	16
Listen to the iPhone/iPod	16
Charge the iPhone/iPod	16
Remove the iPhone/iPod	16

8 Listen to the radio	17
Tune to a radio station	17
Program radio stations automatically	17
Program radio stations manually	17
Select a preset radio station	17

9 Adjust sound	18
Adjust volume	18
Select a preset sound effect	18
Enhance bass	18
Immerse music over a wider spot	18
Mute sound	18

10 Other features	19
Set the sleep timer	19
Set the alarm timer	19
Listen to an external device	19

11 Product information	20
Specifications	20
USB playability information	21
Supported MP3 disc formats	21

12 Troubleshooting	22
---------------------------	----

1 Important

Safety



This 'bolt of lightning' indicates uninsulated material within your unit may cause an electrical shock. For the safety of everyone in your household, please do not remove product covering.

The 'exclamation point' calls attention to features for which you should read the enclosed literature closely to prevent operating and maintenance problems.

WARNING: To reduce the risk of fire or electric shock, this apparatus should not be exposed to rain or moisture and objects filled with liquids, such as vases, should not be placed on this apparatus.

CAUTION: To prevent electric shock, match wide blade of plug to wide slot, fully insert.

Important Safety Instructions

- 1 Read these instructions.
- 2 Keep these instructions.
- 3 Heed all warnings.
- 4 Follow all instructions.
- 5 Do not use this apparatus near water.
- 6 Clean only with dry cloth.

- 7 Do not block any ventilation openings. Install in accordance with the manufacturer's instructions.
- 8 Do not install near any heat sources such as radiators, heat registers, stoves, or other apparatus (including amplifiers) that produce heat.
- 9 Protect the power cord from being walked on or pinched, particularly at plugs, convenience receptacles, and the point where they exit from the apparatus.
- 10 Only use attachments/accessories specified by the manufacturer.
- 11 Use only with the cart, stand, tripod, bracket, or table specified by the manufacturer or sold with the apparatus. When a cart is used, use caution when moving the cart/apparatus combination to avoid injury from tip-over.



- 12 Unplug this apparatus during lightning storms or when unused for long periods of time.
- 13 Refer all servicing to qualified service personnel. Servicing is required when the apparatus has been damaged in any way, such as power-supply cord or plug is damaged, liquid has been spilled or objects have fallen into the apparatus, the apparatus has been exposed to rain or moisture, does not operate normally, or has been dropped.
- 14 Battery usage CAUTION – To prevent battery leakage which may result in bodily injury, property damage, or damage to the unit:

- Install all batteries correctly, + and - as marked on the unit.
- Do not mix batteries (old and new or carbon and alkaline, etc.).
- Remove batteries when the unit is not used for a long time.
- Batteries (battery pack or batteries installed) shall not be exposed to excessive heat such as sunshine, fire or the like.

- ⑮ **Apparatus shall not be exposed to dripping or splashing.**
- ⑯ **Do not place any sources of danger on the apparatus (e.g. liquid filled objects, lighted candles).**
- ⑰ **Where the plug of the Direct Plug-in Adapter is used as the disconnect device, the disconnect device shall remain readily operable.**



Warning

- Never remove the casing of this apparatus.
- Never lubricate any part of this apparatus.
- Never place this apparatus on other electrical equipment.
- Keep this apparatus away from direct sunlight, naked flames or heat.
- Never look into the laser beam inside this apparatus.
- Ensure that you always have easy access to the power cord, plug or adaptor to disconnect this apparatus from the power.

Notice



This product complies with the radio interference requirements of the European Community.

Any changes or modifications made to this device that are not expressly approved by Philips Consumer Lifestyle may void the user's authority to operate the equipment.



Your product is designed and manufactured with high quality materials and components, which can be recycled and reused.



When this crossed-out wheeled bin symbol is attached to a product it means that the product is covered by the European Directive 2002/96/EC.

Please inform yourself about the local separate collection system for electrical and electronic products.

Please act according to your local rules and do not dispose of your old products with your normal household waste. Correct disposal of your old product helps to prevent potential negative consequences for the environment and human health.



Your product contains batteries covered by the European Directive 2006/66/EC, which cannot be disposed with normal household waste. Please inform yourself about the local rules on separate collection of batteries because correct disposal helps to prevent negative consequences for the environmental and human health.

Environmental information

All unnecessary packaging has been omitted. We have tried to make the packaging easy to separate into three materials: cardboard (box), polystyrene foam (buffer) and polyethylene (bags, protective foam sheet.)

Your system consists of materials which can be recycled and reused if disassembled by a specialized company. Please observe the local regulations regarding the disposal of packaging materials, exhausted batteries and old equipment.

This apparatus includes this label:



Copyright notice



This item incorporates copy protection technology that is protected by U.S. patents and other intellectual property rights of Rovi Corporation. Reverse engineering and disassembly are prohibited.

Trademark notice



Windows Media and the Windows logo are trademarks, or registered trademarks of Microsoft Corporation in the United States and/or other countries.

2 Your Docking Entertainment System

Congratulations on your purchase, and welcome to Philips! To fully benefit from the support that Philips offers, register your product at www.philips.com/welcome.

Introduction

With this unit, you can enjoy audio from audio discs, USB devices, iPod players, iPhone and other external devices, or listen to radio stations.

The unit offers you multiple sound effect settings that enrich sound with Digital Sound Control (DSC) and Dynamic Bass Boost (DBB). The unit supports the following media formats:

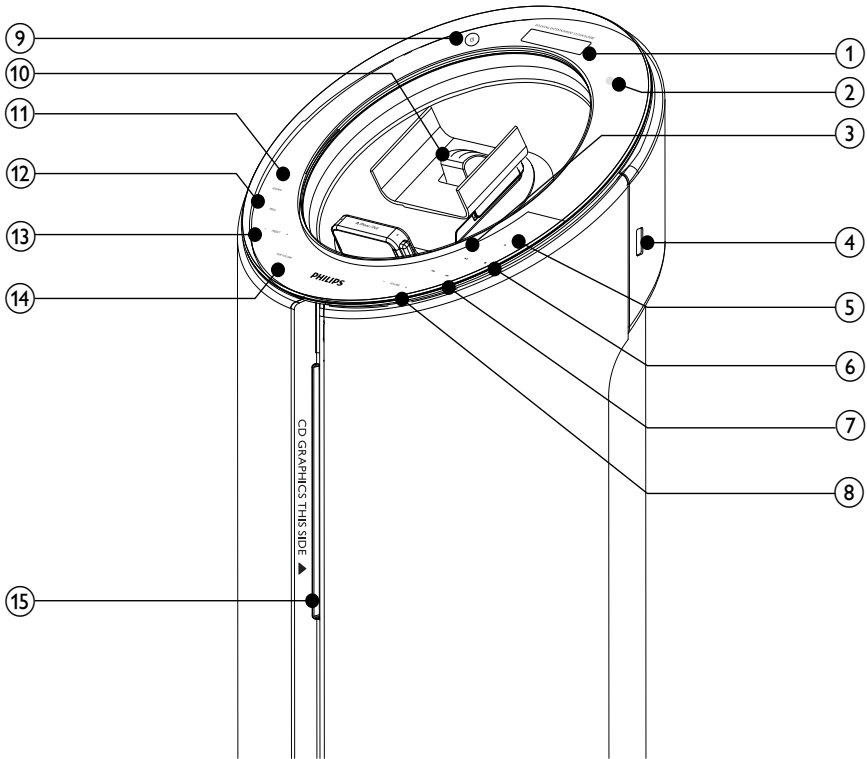


What's in the box

Check and identify the contents of your package:

- Main unit
- Remote control with battery
- FM antenna
- Power cord
- MP3 link cable
- User manual
- Quick start guide

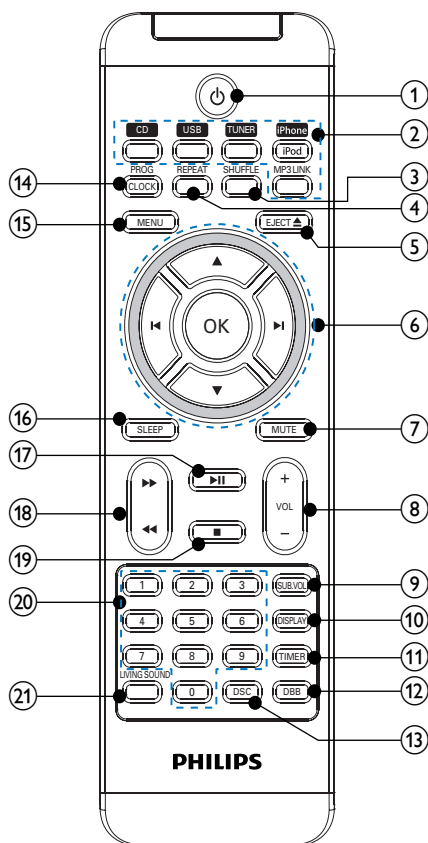
Overview of the main unit



- ① **Display panel**
 - Show current status.
- ② **IR sensor**
- ③ **▶||**
 - Start or pause play.
- ④ **←→**
 - Jack for a USB mass storage device.
- ⑤ **▲**
 - Eject the disc.
- ⑥ **■**
 - Stop play or erase a program.
- ⑦ **◀▶**
 - Skip to the previous/next track.
 - Search within a track/ disc/USB.
 - Tune to a radio station.
- ⑧ **VOLUME +/-**
 - Adjust volume.
- ⑨ **⏻**
 - Turn on the apparatus or switch to standby mode.
- ⑩ **Dock for iPod/iPhone**

Overview of the remote control

- ⑪ **SOURCE**
- Select a source: CD, FM TUNER, iPod/iPhone, USB or MP3 LINK.
- ⑫ **PROG**
- Program tracks.
 - Program radio stations.
 - Set the clock.
- ⑬ **- PRESET +**
- Select a preset radio station.
 - Skip to the previous/next album.
- ⑭ **SUB VOLUME**
- Adjust subwoofer volume.
- ⑮ **Disc compartment**



- ① **⏻**
- Turn on the apparatus or switch to standby mode.
- ② **SOURCE SELECTION KEYS (CD, USB, TUNER, iPhone/iPod, MP3 LINK)**
- Select a source: CD, USB, TUNER, iPhone/iPod or MP3 LINK.
- ③ **SHUFFLE**
- Play tracks randomly.

- ④ **REPEAT**
 - Select a repeat play mode.
- ⑤ **EJECT▲**
 - Eject the disc.
- ⑥ **▲▼**
 - Skip to the previous/next album.
 - Navigate through the iPod/iPhone menu.
- ◀▶**
 - Skip to the previous/next track.
 - Navigate through the iPod/iPhone menu.
 - Tune to a radio station.
- OK**
 - Confirm a selection.
- ⑦ **MUTE**
 - Mute volume.
- ⑧ **VOL +/-**
 - Adjust volume.
- ⑨ **SUB.VOL**
 - Adjust subwoofer volume.
- ⑩ **DISPLAY**
 - During play, select display information.
- ⑪ **TIMER**
 - Set the alarm timer.
 - Activate or deactivate the timer.
- ⑫ **DBB**
 - Turns on or off dynamic bass enhancement.
- ⑬ **DSC**
 - Select a preset sound setting.
- ⑭ **PROG/CLOCK**
 - Program tracks.
 - Program radio stations.
 - Set the clock.
- ⑮ **MENU**
 - Access the iPod/iPhone menu.
- ⑯ **SLEEP**
 - Set the sleep timer.
- ⑰ **▶||**
 - Start or pause play.
- ⑱ **◀◀▶▶**
 - Search within a track/disc/USB/iPod/iPhone.
- ⑲ **■**
 - Stop play or erase a program.
- ⑳ **Numeric keypad**
 - Select a track from a disc directly.
- ㉑ **LIVING SOUND**
 - Turn on or off the Living Sound effect.

3 Get started

! Caution

- Use of controls or adjustments or performance of procedures other than herein may result in hazardous radiation exposure or other unsafe operation.

Always follow the instructions in this chapter in sequence.

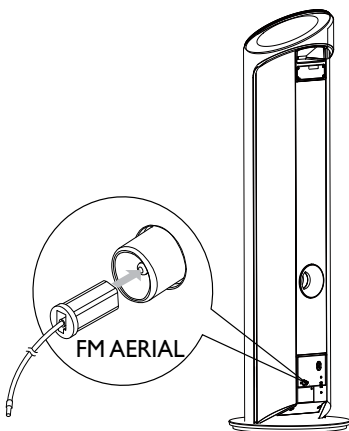
If you contact Philips, you will be asked for the model and serial number of this apparatus. The model number and serial number are on the back of the apparatus. Write the numbers here:
Model No. _____
Serial No. _____

Connect FM antenna

* Tip

- For optimal reception, fully extend and adjust the position of the antenna.

- 1 Connect the supplied FM antenna to the **FM AERIAL** jack on the main unit.



Connect power

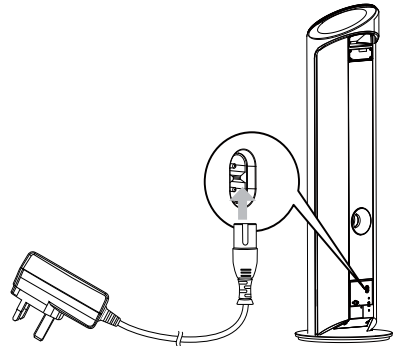
! Caution

- Risk of product damage! Ensure that the power supply voltage corresponds to the voltage printed on the back or the underside of the unit.
- Risk of electric shock! When you unplug the AC power cord, always pull the plug from the socket. Never pull the cord.
- Before connecting the AC power cord, ensure you have completed all other connections.

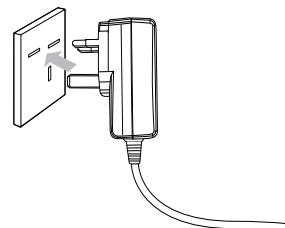
≡ Note

- The type plate is located on the back of the main unit.

- 1 Connect the power cord to the **AC~MAINS** jack on the main unit.



- 2 Connect the power plug to the wall outlet.



Prepare the remote control

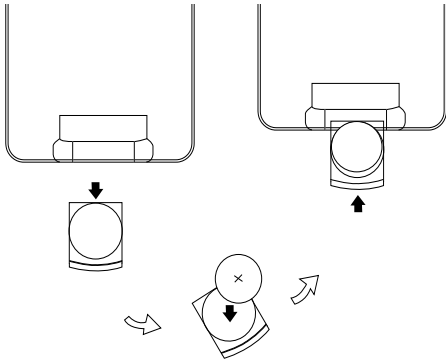
! Caution

- Risk of explosion! Keep batteries away from heat, sunshine or fire. Never discard batteries in fire.

For first-time use:

- 1 Remove the protective tab to activate the remote control battery.

To replace the remote control batteries:



- 1 Open the battery compartment.
- 2 Insert one lithium CR2025 battery with correct polarity (+/-) as indicated.
- 3 Close the battery compartment.

☰ Note

- Before you press any function button on the remote control, first select the correct source with the remote control instead of the main unit.

Set clock

- 1 In standby mode, press **PROG/CLOCK** on the remote control to activate the clock setting mode.

↳ The 12 hour or 24 hour format is displayed.

- 2 Press **◀▶** to select 12 hour or 24 hour format.
- 3 Press **PROG/CLOCK**.
↳ The hour digits are displayed and begin to blink.
- 4 Press **◀▶** to set the hour.
- 5 Press **PROG/CLOCK**.
↳ The minute digits are displayed and begin to blink.
- 6 Press **◀▶** to set the minute.
- 7 Press **PROG/CLOCK** to confirm.

Turn on

- 1 Press **⏻**.
↳ The unit switches to the last selected source.

Switch to standby

- 1 Press **⏻** to switch the unit to standby mode.
↳ The backlight on the display panel is reduced.
↳ The clock (if set) appears on the display panel.

✱ Tip

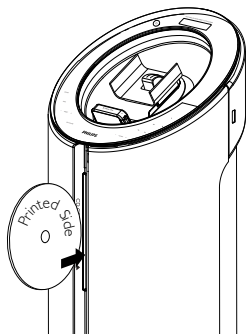
- In standby mode, press and hold **PRESET+** for more than 2 seconds to turn on/off the light effect.

☰ Note

- If no button is pressed over 15 minutes in Standby mode, this apparatus goes to Eco Power Standby mode automatically and the backlight on the display turns off.

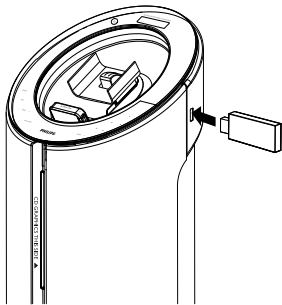
4 Play disc

- 1 Press **CD** to select the disc source.
- 2 Insert a disc into the disc compartment with the printed side facing right.
↳ Play starts automatically.




- To pause/resume play, press **▶||**.
- To stop play, press **■**.
- For MP3/WMA disc: to select an album, press **▲/▼**.
- To skip to a track/file/chapter, press **◀▶**.
- To fast backward/forward, press and hold **◀◀▶▶**.

5 Play from USB



Note

- Ensure that the USB device contains playable audio content.

- 1 Connect the USB device into the  socket.
- 2 Press **USB** to select the USB source.
 - ↳ The total number of tracks is displayed.
 - ↳ Play starts automatically.
- 3 Press **▲▼** to select a folder.
- 4 Press **◀▶** to select a file.

6 Play options

Skip to a track

For CD:

- 1 Press **◀▶** to select another track.
 - To select a track directly, you can also press a key on the numerical keypad.

For MP3 disc and USB:

- 1 Press **▲▼** to select an album or folder.
- 2 Press **◀▶** to select a track or file.

Pause/resume play

- 1 During play, press **▶||** to pause/resume play.

Search within a track

- 1 During play, press and hold **◀◀▶▶**.
- 2 Release to resume normal play.

Display play information

- 1 During play, press **DISPLAY** repeatedly to select different play information.

Repeat play

- 1 During play, press **REPEAT** repeatedly to select:
 - **↻**: The current track is played repeatedly.
 - **↻ALL**: All tracks are played repeatedly.

- 2 To return to normal play, press **REPEAT** repeatedly until the repeat mode is no longer displayed.

Random play

- 1 Press **SHUFFLE**.
 - ↳ **∞** is displayed. All tracks are played in a random sequence.
- 2 To return to normal play, press **SHUFFLE** again.

Program tracks

You can program a maximum of 20 tracks.

- 1 At CD/USB mode, at the stop position, press **PROG/CLOCK** to activate the program mode.
 - ↳ **[PROG]** (program) blinks on the display.
- 2 For MP3/WMA tracks, press **▲▼** to select an album.
- 3 Press **◀▶** to select a track number, then press **PROG/CLOCK** to confirm.
- 4 Repeat steps 2 to 3 to program more tracks.
- 5 Press **▶||** to play the programmed tracks.
 - ↳ During play, **[PROG]** (program) is displayed.
 - To erase the program, in the stop position, press **■**.
 - To review the program, in the stop position, press and hold **PROG/CLOCK** for more than 2 seconds.

7 Play iPhone/iPod

You can enjoy audio from iPhone/iPod through this unit.

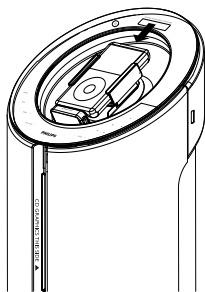
Compatible iPod/iPhone

Apple iPod and iPhone models with a 30-pin dock connector:

- iPod classic, iPod touch, iPod nano, iPod 5th generation (video).
- iPhone, iPhone 3G.

Load the iPhone/iPod

- 1 Place the iPhone/iPod in the dock.



Listen to the iPhone/iPod

- 1 Ensure that the iPhone/iPod is loaded correctly.
- 2 Press **iPhone/iPod** to select iPhone/iPod source.
 - ↳ The connected iPhone/iPod plays automatically.
 - To pause/resume play, press **▶||**.
 - To skip to a track, press **◀|▶**.

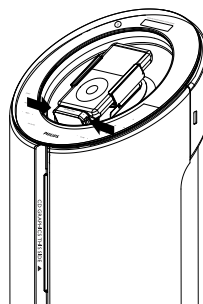
- To search during play: press and hold **◀◀▶▶**, then release to resume normal play.
- To navigate the menu: press **MENU**, press **▲▼/◀▶** to select, then press **OK** to confirm.

Charge the iPhone/iPod

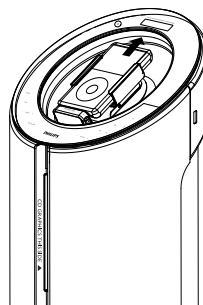
When the unit is connected to power, the docked iPhone/iPod begins to charge.

Remove the iPhone/iPod

- 1 Press the two buttons on the bottom of the dock to eject the iPhone/iPod.



- 2 Pull the iPhone/iPod out of the dock.



8 Listen to the radio

Tune to a radio station



Tip

- For optimal FM reception, fully extend and adjust the position of the FM antenna.

- 1 Press **TUNER** to select the tuner source.
- 2 Press and hold **◀▶** for more than 2 seconds.
 - ↳ **[SEARCH]** (search) is displayed.
 - ↳ The radio tunes to a station with strong reception automatically.
- 3 Repeat step 2 to tune to more stations.
 - To tune to a weak station, press **◀▶** repeatedly until you find optimal reception.

Program radio stations automatically



Note

- You can program a maximum of 20 preset radio stations.

- 1 In tuner mode, press and hold **PROG/CLOCK** for 2 seconds to activate automatic program mode.
 - ↳ **[AUTO]** (auto) is displayed.
 - ↳ All available stations are programmed in the order of waveband reception strength.
 - ↳ The first programmed radio station is broadcast automatically.

Program radio stations manually



Note

- You can program a maximum of 20 preset radio stations.

- 1 Tune to a radio station.
- 2 Press **PROG/CLOCK** to activate program mode.
 - ↳ **[PROG]** (program) blinks on the display.
- 3 Press **▲▼** to allocate a number (1 to 20) to this radio station, then press **PROG/CLOCK** to confirm.
 - ↳ The preset number and the frequency of the preset station are displayed.
- 4 Repeat the above steps to program other stations.



Note

- To overwrite a programmed station, store another station in its place.

Select a preset radio station

- 1 In tuner mode, press **▲▼** to select a preset number.

9 Adjust sound

Adjust volume

- 1 During play, press **VOL +/-** to increase/decrease the volume.

Adjust subwoofer volume

- 1 During play, press **SUB.VOL** to increase/decrease the volume.


Select a preset sound effect

- 1 During play, press **DSC** repeatedly to select:
 - **[FLAT]** (flat)
 - **[POP]** (pop)
 - **[JAZZ]** (jazz)
 - **[ROCK]** (rock)
 - **[CLASSIC]** (classic)

Enhance bass

- 1 During play, press **DBB** to turn on or off dynamic bass enhancement.
 - ↳ If DBB is activated, **[DBB]** is displayed.

Immerse music over a wider spot

- 1 During play, press **LIVING SOUND** on the remote control to turn on or off the sound effect.
 - ↳ If Living Sound is activated,  is displayed.

Mute sound

- 1 During play, press **MUTE** to mute/unmute sound.

10 Other features

Set the sleep timer

This unit can switch to standby automatically after a set period of time.

- 1 When the unit is turned on, press **SLEEP** repeatedly to select a set period of time (in minutes).
 - ↳ When sleep timer is activated, the display shows **[SLEEP]** (sleep) **zz**.

To deactivate sleep timer

- 1 Press **SLEEP** repeatedly until **[OFF]** (off) is displayed.
 - ↳ When sleep timer is deactivated, **[SLEEP]** (sleep) **zz** disappears on the display.

Set the alarm timer

This unit can be used as an alarm clock. The DISC, TUNER, USB or iPhone/iPod is activated to play at a preset time.

- 1 Ensure that you have set the clock correctly.
- 2 Press and hold **TIMER**.
- 3 Press **CD**, **USB**, **TUNER** or **iPhone/iPod** to select a source.
- 4 Press **TIMER** to confirm.
 - ↳ The hour digits are displayed and begin to blink.
- 5 Press **◀▶** to set the hour.
- 6 Press **TIMER** to confirm.
 - ↳ The minute digits are displayed and begin to blink.
- 7 Press **◀▶** to set the minute.
- 8 Press **TIMER** to confirm.
 - ↳ The timer is set and activated.

Activate and deactivate the alarm timer

- 1 Press **TIMER** repeatedly to activate or deactivate the timer.
 - ↳ If the timer is activated, the display shows **⌚**.
 - ↳ If the timer is deactivated, **⌚** disappears on the display.

Note

- If DISC/USB/iPhone/iPod source is selected and the track cannot be played, tuner is activated automatically.

Listen to an external device

You can also listen to an external audio device through this unit.

- 1 Press **MP3 LINK** to select MP3 link source.
- 2 Connect the supplied MP3 link cable to:
 - the **MP3 LINK** jack on this unit
 - the headphone jack on the device
- 3 Start to play the device. (See the device user manual).

11 Product information



Note

- Product information is subject to change without prior notice.

Specifications

Amplifier

Rated Output Power	140W
Frequency Response	100 Hz - 16 kHz, ± 3 dB
Signal to Noise Ratio	> 70 dB
Aux Input	0.5 V RMS 20 kohm

Disc

Laser Type	Semiconductor
Disc Diameter	12cm
Support Disc	CD-DA, CD-R, CD-RW, MP3-CD, WMA-CD
Audio DAC	24Bits / 44.1kHz
Total Harmonic Distortion	<1%
Frequency Response	60Hz -16kHz (44.1kHz)
S/N Ratio	>65dBA

Tuner

Tuning Range	FM: 87.5 - 108 MHz
Tuning grid	50 KHz
Sensitivity	
- Mono, 26dB S/N Ratio	<22 dBu
- Stereo, 46dB S/N Ratio	<45 dBu
Search Selectivity	<28 dBu
Total Harmonic Distortion	<3%
Signal to Noise Ratio	>45 dB

Speakers

Speaker Impedance	6 ohm + 4 X 3 ohm
Speaker Driver	5.25" woofer + 2" tweeter
Sensitivity	>82 dB/m/W

General information

AC power	240 V, 50 Hz
Operation Power Consumption	67 W
Standby Power Consumption	< 12 W
Eco Standby Power Consumption	< 1 W
USB Direct	Version 2.0/1.1
Dimensions	
- Main Unit (W x H x D)	300 x 1022 x 300 mm
Weight	
- With Packing	18 kg
- Main Unit	14 kg

USB playability information

Compatible USB devices:

- USB flash memory (USB 2.0 or USB1.1)
- USB flash players (USB 2.0 or USB1.1)
- memory cards (requires an additional card reader to work with this unit)

Supported formats:

- USB or memory file format FAT12, FAT16, FAT32 (sector size: 512 bytes)
- MP3 bit rate (data rate): 32-320 Kbps and variable bit rate
- WMA v9 or earlier
- Directory nesting up to a maximum of 8 levels
- Number of albums/ folders: maximum 99
- Number of tracks/titles: maximum 999
- ID3 tag v2.0 or later
- File name in Unicode UTF8 (maximum length: 128 bytes)

Unsupported formats:

- Empty albums: an empty album is an album that does not contain MP3/WMA files, and will not be shown in the display.
- Unsupported file formats are skipped. For example, Word documents (.doc) or MP3 files with extension .dlf are ignored and not played.
- AAC, WAV, PCM audio files
- DRM protected WMA files (.wav, .m4a, .m4p, .mp4, .aac)
- WMA files in Lossless format

Supported MP3 disc formats

- ISO9660, Joliet
- Maximum title number: 512 (depending on file name length)
- Maximum album number: 255
- Supported sampling frequencies: 32 kHz, 44.1kHz, 48 kHz
- Supported Bit-rates: 32~256 (kbps), variable bit rates

12 Troubleshooting



Warning

- Never remove the casing of this apparatus.

To keep the warranty valid, never try to repair the system yourself.

If you encounter problems when using this apparatus, check the following points before requesting service. If the problem remains unsolved, go to the Philips web site (www.philips.com/welcome). When you contact Philips, ensure that the apparatus is nearby and the model number and serial number are available.

No power

- Ensure that the AC power plug of the unit is connected properly.
- Ensure that there is power at the AC outlet.
- To save power, the system switches off automatically 15 minutes after track play reaches the end and no control is operated.

No sound or poor sound

- Adjust the volume.

No response from the unit

- Disconnect and reconnect the AC power plug, then turn on the unit again.

Remote control does not work

- Before pressing any function button, first select the correct source with the remote control instead of the main unit.
- Reduce the distance between the remote control and the unit.
- Insert the battery with its polarities (+/- signs) aligned as indicated.
- Replace the battery.
- Aim the remote control directly at the sensor on the front of the unit.

No disc detected

- Insert a disc.
- Check if the disc is inserted upside down.
- Wait until the moisture condensation at the lens has cleared.
- Replace or clean the disc.
- Use a finalized CD or correct format disc.

Cannot display some files in USB device

- The number of folders or files in the USB device has exceeded a certain limit. This phenomenon is not a malfunction.
- The formats of these files are not supported.

USB device not supported

- The USB device is incompatible with the unit. Try another one.

Poor radio reception

- Increase the distance between the unit and your TV or VCR.
- If the signal is too weak, adjust the antenna or connect an external antenna for better reception.

Timer does not work

- Set the clock correctly.
- Switch on the timer.

Clock/timer setting erased

- Power has been interrupted or the power cord has been disconnected.
- Reset the clock/timer.

