

# Always there to help you

Register your product and get support at  
[www.philips.com/welcome](http://www.philips.com/welcome)



DCM3155DG



# User manual

# PHILIPS



# Contents

---

<b>1</b>	<b>Safety and Notice</b>	<b>2</b>
	Safety	2
	Notice	2

---

<b>2</b>	<b>Your Micro System</b>	<b>3</b>
	Introduction	3
	What's in the box	3
	Overview of the main unit	4

---

<b>3</b>	<b>Get started</b>	<b>6</b>
	Connect power	6
	Prepare the remote control	6
	Set clock	7
	Store radio stations automatically	7
	Turn on	7
	Demonstrate the unit's features	8

---

<b>4</b>	<b>Play</b>	<b>8</b>
	Play a disc	8
	Play from USB	9

---

<b>5</b>	<b>Play iPod/iPhone</b>	<b>10</b>
	Compatible iPod/iPhone	10
	Play an iPod/iPhone	10
	Charge the iPod/iPhone	10

---

<b>6</b>	<b>Listen to radio</b>	<b>11</b>
	Tune to a radio station	11
	Program radio stations automatically	11
	Program radio stations manually	11
	Select a preset radio station	11
	Select stereo/mono broadcast	11

---

<b>7</b>	<b>Adjust sound</b>	<b>12</b>
	Adjust volume	12
	Select a preset sound effect	12
	Mute sound	12

---

<b>8</b>	<b>Other features</b>	<b>13</b>
	Set the sleep timer	13
	Set the alarm timer	13
	Play from external audio device	14
	Adjust display brightness	14

---

<b>9</b>	<b>Product information</b>	<b>15</b>
	Specifications	15
	USB playability information	15
	Supported MP3 disc formats	16
	Maintenance	16

---

<b>10</b>	<b>Troubleshooting</b>	<b>17</b>
-----------	------------------------	-----------

# 1 Safety and Notice



Read and understand all instructions before you use this product. If damage is caused by failure to follow the instructions, the warranty does not apply.

## Note

- The type plate is located on the bottom of the apparatus.

## Safety

### Safety

#### Warning

- Never remove the casing of this apparatus.
- Never lubricate any part of this apparatus.
- Never look into the laser beam inside this apparatus.
- Never place this apparatus on other electrical equipment.
- Keep this apparatus away from direct sunlight, naked flames or heat.
- Ensure that you always have easy access to the power cord, plug or adaptor to disconnect the apparatus from the power.

- The device shall not be exposed to dripping or splashing.
- Do not place any source of danger on the device (e.g. liquid filled objects, lit candles).
- Where the MAINS plug or an appliance coupler is used as the disconnect device, the disconnect device shall remain readily operable.
- Make sure that there is enough free space around the product for ventilation.
- Only use attachments/accessories specified by the manufacturer.

## Compliance

This apparatus includes this label:

## Notice

Any changes or modifications made to this device that are not expressly approved by WOOX Innovations may void the user's authority to operate the equipment.

### Environmental information

All unnecessary packaging has been omitted. We have tried to make the packaging easy to separate into three materials: cardboard (box), polystyrene foam (buffer) and polyethylene (bags, protective foam sheet.)

Your system consists of materials which can be recycled and reused if disassembled by a specialized company. Please observe the local regulations regarding the disposal of packaging materials, exhausted batteries and old equipment.



The making of unauthorized copies of copy-protected material, including computer programs, files, broadcasts and sound recordings, may be an infringement of copyrights and constitute a criminal offence. This equipment should not be used for such purposes.



“Made for iPod,” and “Made for iPhone,” mean that an electronic accessory has been designed to connect specifically to iPod or iPhone, respectively, and has been certified by the developer to meet Apple performance standards. Apple is not responsible for the operation of this device or its compliance with safety and regulatory standards. Please note that the use of this accessory with iPod or iPhone may affect wireless performance.

iPod and iPhone are trademarks of Apple Inc., registered in the U.S. and other countries.

## 2 Your Micro System

Congratulations on your purchase, and welcome to Philips! To fully benefit from the support that Philips offers, register your product at [www.philips.com/welcome](http://www.philips.com/welcome).

---

### Introduction

With this unit, you can enjoy audio from disc, USB mass storage devices, iPod/iPhone, and other external devices, or listen to radio stations.

The unit supports the following media formats:



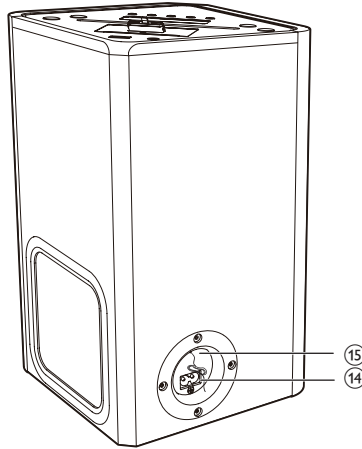
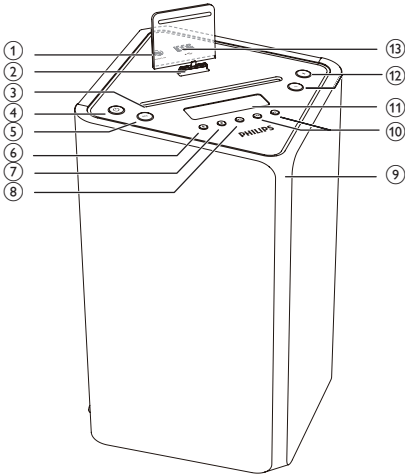
---

### What's in the box

Check and identify the contents of your package:

- Main unit
- Remote control
- 1 x AAA battery
- AC power cable
- Short user manual

## Overview of the main unit



### ① AUDIO IN

- Connect an external audio device.

### ② Dock for iPod/iPhone

### ③ Disc compartment

### ④

- Turn on the unit, switch to Standby mode, or switch to Eco Power mode.

### ⑤ SRC

- Select a source: DISC, USB, TUNER, IPOD IPHONE or AUDIO IN.

### ⑥

- Eject the disc.

### ⑦

- Stop play.
- Erase a program.
- Access the iPod/iPhone menu.
- In standby mode, turn on/off feature demonstration.

### ⑧

- Start or pause play.

### ⑨ power indicator

- Light up when the the unit is in Eco Power mode.

- Flash when the unit is connected with power.

### ⑩

- Skip to the previous/next track.
- Tune to a radio station.
- Press and hold the key to search within a track/disc/USB/iPod/iPhone.

### ⑪ Display panel

- Show the current status.

### ⑫ VOL +/-

- Adjust volume.
- Adjust time.

### ⑬

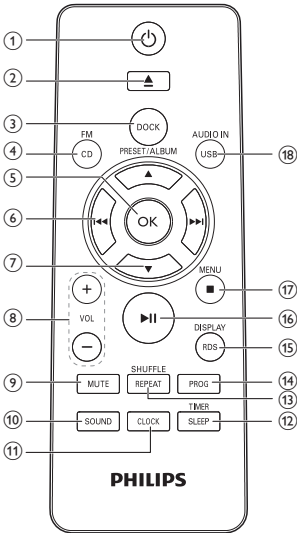
- USB socket.

### ⑭ AC ~ MAINS

- Power supply socket.

### ⑮ FM AERIAL

## Overview of the remote control



- ① **⏻**
  - Turn on the unit, or switch to Standby mode, or switch to Eco Power mode.
- ② **⏏**
  - Eject the disc
- ③ **DOCK**
  - Select the IPOD IPHONE source.
- ④ **CD/FM**
  - Select the disc source.
  - Select the FM radio source.
- ⑤ **OK**
  - Confirm a selection.
  - Switch between STEREO and MONO in tuner source.
- ⑥ **⏮ / ⏭**
  - Skip to the previous/next track.
  - Tune to a radio station.
  - Press and hold the key to search within a track/disc/USB/iPod/iPhone.
- ⑦ **PRESET/ALBUM ▲ / ▼**
  - Skip to the previous/next album.
  - Select a preset radio station.
- ⑧ **VOL +/-**
  - Adjust volume.
  - Adjust time.
- ⑨ **MUTE**
  - Mute or restore volume.
- ⑩ **SOUND**
  - Select a preset sound setting.
- ⑪ **CLOCK**
  - Set clock in standby mode.
  - Display the time in any source mode.
- ⑫ **SLEEP/TIMER**
  - Set the sleep timer.
  - Set the alarm timer.
- ⑬ **REPEAT/SHUFFLE**
  - Select the repeat play mode.
  - Select the random play mode except in IPOD IPHONE source.
- ⑭ **PROG**
  - Program tracks in disc/USB source.
  - Program radio stations.
- ⑮ **RDS/DISPLAY**
  - Select display information during play.
  - Adjust display brightness in standby mode.
- ⑯ **⏸**
  - Start or pause play.
- ⑰ **■ / MENU**
  - Stop play.
  - Erase a program.
  - Access the iPod/iPhone menu.
  - In standby mode, turn on/off feature demonstration.
- ⑱ **USB/AUDIO IN**
  - Select the USB source.
  - Select an external audio device source.

# 3 Get started

## ! Caution

- Use of controls or adjustments or performance of procedures other than herein may result in hazardous radiation exposure or other unsafe operation.

Always follow the instructions in this chapter in sequence.

If you contact Philips, you will be asked for the model and serial number of this apparatus. The model number and serial number are on the rear of the apparatus. Write the numbers here:

Model No. \_\_\_\_\_

Serial No. \_\_\_\_\_

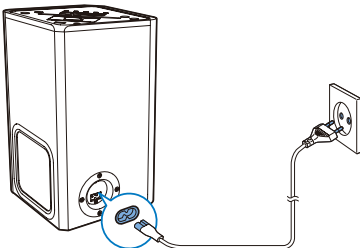
## Connect power

### ! Caution

- Risk of product damage! Make sure that the power voltage corresponds to the voltage printed on the back or underside of the unit.
- Risk of electric shock! When you unplug the AC power cord, always pull the plug from the socket. Never pull the cord.
- Before connecting the AC power cord, ensure you have completed all other connections.

Connect the power cord to:

- the **AC ~ MAINS** socket on the main unit.
- the wall outlet.



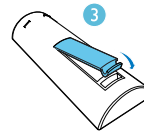
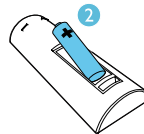
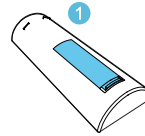
## Prepare the remote control

### ! Caution

- Risk of explosion! Keep batteries away from heat, sunshine or fire. Never discard batteries in fire.

To insert the remote control battery:

- 1 Open the battery compartment.
- 2 Insert 1 AAA battery with correct polarity (+/-) as indicated.
- 3 Close the battery compartment.



### ≡ Note

- If you are not going to use the remote control for a long time, remove the battery.
- Batteries contain chemical substances, so they should be disposed of properly.



---

## Set clock

### Note

- You can set the clock in standby mode only.

- 1 In standby mode, press and hold **CLOCK** to activate the clock setting mode.
- 2 Press **PRESET/ALBUM ▲ / ▼** to select 12 hour or 24 hour format.
- 3 Press **CLOCK** to confirm.  
↳ The hour digits begin to blink.
- 4 Press **PRESET/ALBUM ▲ / ▼** to set the hour.
- 5 Press **CLOCK** to confirm.  
↳ The minute digits begin to blink.
- 6 Press **PRESET/ALBUM ▲ / ▼** to set the minute.
- 7 Press **CLOCK** to confirm.

### Note

- You can also press **VOL +/-** on remote control or main unit to set hour format/hour/minute.
- To exit clock setting mode without storing, press **■ /MENU**.
- If no button is pressed in 90 seconds, the system exits clock setting mode automatically.

### Tip

- You can press **CLOCK** to view the clock in any source mode.

---

## Store radio stations automatically

If no radio stations are stored, the unit can store radio stations automatically.

- 1 Turn on the unit.

- 2 Press **SRC** to select TUNER source.  
↳ [AUTO INSTALL -- PRESS PLAY -- STOP CANCEL] (press **▶||** to start automatic installation, or press **■** to cancel) is displayed.
- 3 Press **▶||**.  
↳ The unit automatically stores radio stations with sufficient signal strength.  
↳ After all available radio stations are stored, the first stored radio station is broadcast automatically.

---

## Turn on

- Press **⏻**.  
↳ The unit switches to the last selected source.

---

## Switch to standby

- Press **⏻** again to switch the unit to standby mode.  
↳ The clock (if set) appears on the display panel.

### Switch to ECO Power mode:

- Press and hold **⏻** for more than three seconds.  
↳ [**ECOPOWER**] (Eco Power) is displayed briefly.

### Tip

- The unit switches to Eco Power mode after 15 minutes in standby mode if no Apple device is docked to the unit.
- Press and hold **⏻** cannot switch the unit to Eco standby mode if there is Apple device docked to the unit.
- Press and hold **⏻** to switch the unit to standby mode only if the unit is in working mode.

### Switch between standby mode and Eco Power mode:

- In standby/Eco Power mode, press and hold **⏻** to switch the unit to Eco Power/standby mode.



#### Tip

- The power indicator lights up when the unit is in Eco Power mode.

---

## Demonstrate the unit's features

- In standby mode, press **■** /MENU. [WELCOME TO PHILIPS] (welcome to Philips) scrolls from the right to the left on the display, and then [DEMO ON] (demo on) is displayed briefly.
  - ↳ This system's features are displayed one by one.
  - To turn off the demonstration, press **■** /MENU again.



#### Note

- You can also press **■** on the main unit to turn on/ turn off the demonstration.

# 4 Play

---

## Play a disc



#### Caution

- Do not insert disc of 8 cm diameter.

- 1 Press **SRC** repeatedly to select DISC source.
- 2 Insert a disc with the printed side facing forward.
- 3 Play starts automatically. If not, press **▶||**.



#### Note

- The docking system only supports disc of 12 cm diameter.

---

## Pause/resume play

- During play, press **▶||** to pause/resume play.

---

## Skip to a track

For CD:

- Press **◀◀** / **▶▶** to select another track.

For MP3 disc and USB:

- 1 Press **PRESET/ALBUM ▲** / **▼** to select an album or a folder.
- 2 Press **◀◀** / **▶▶** to select a track or a file.

---

## Search within a track

- 1 During play, press and hold **◀◀** / **▶▶**.
- 2 Release to resume normal play.

---

## Program tracks

### Note

- You can program tracks only when the play stops.

You can program a maximum of 20 tracks.

- 1 Press **PROG** to activate the program mode.  
↳ **[PROG]** (program) is displayed.
- 2 For MP3/WMA tracks, press **PRESET/ALBUM ▲ / ▼** to select an album.
- 3 Press **◀◀ / ▶▶** to select a track, then press **PROG** to confirm.
- 4 Repeat steps 2 to 3 to program more tracks.
- 5 Press **▶||** to play the programmed tracks.  
↳ During play, **[PROG]** (program) is displayed.
  - To erase the program, in the stop position, press **■ / MENU**.

---

## Display play information

- During play, press **RDS/DISPLAY** repeatedly to select different play information.
  - For CD: Lap time of the current track, lap time remained of the current track, lap time of all tracks, lap time remained of all tracks.
  - For MP3/WMA disc and USB: ID3 information, such as **[TITLE]** (title), **[ARTIST]** (artist), **[ALBUM]** (album).

---

## Select repeat/shuffle play options

- 1 During play, press **REPEAT/SHUFFLE** repeatedly to select a repeat option or the shuffle play mode.
  - **REP**: the current track is played repeatedly.
  - **REP ALL**: all tracks are played repeatedly.

- **REP ALB**: all the tracks in the album are played repeatedly.
- **SHUF**: all tracks are played randomly.


- 2 To resume normal play, press **REPEAT/SHUFFLE** repeatedly until no option is displayed.

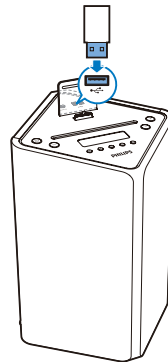
---

## Play from USB

### Note

- Make sure that the USB device contains playable audio content.

- 1 Insert the USB mass storage device into the  socket.



- 2 Press **SRC** repeatedly to select the USB source.  
↳ Play starts automatically. If not, press **▶||**.
  - To select a folder, press **PRESET/ALBUM ▲ / ▼**.
  - To select an audio file, press **◀◀ / ▶▶**.

# 5 Play iPod/iPhone

When the iPod/iPhone is docked on the main unit, you can listen to music from the speakers.

---

## Compatible iPod/iPhone

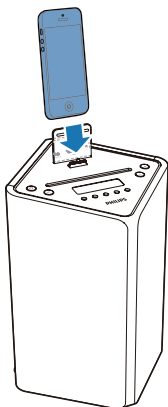
Apple iPod and iPhone models with a lightning dock connector:

- iPod touch 5th generation
- iPod nano 7th generation
- iPhone 5

---

## Play an iPod/iPhone

- 1 Insert the iPod/iPhone in the dock. Press **SRC** repeatedly to select **IPOD IPHONE** source.



- 2 Play music on iPod/iPhone.
  - To resume/pause play, press **▶||**.
  - To skip to a track, press **◀◀ / ▶▶**.
  - To search during play, press and hold **◀◀ / ▶▶**, then release to resume normal play.

- To navigate the menu, press **■ / MENU**, and press **PRESET/ALBUM ▲ / ▼** to select an option, and then press **OK** to confirm.

### Tip

- To search during play, you can also press and hold **◀◀ / ▶▶** on the main unit.

---

## Charge the iPod/iPhone

When the docking system is power on, the docked iPod/iPhone begins to charge.

### Note

- If the docking system goes to Eco power mode for energy saving, press **⏻** or press and hold **⏻** to switch the unit to standby mode first to make sure the docked iPod/iPhone can charge normally.

# 6 Listen to radio

## Tip

- For optimal reception, fully extend and adjust the position of the antenna.

---

## Tune to a radio station

- 1 Press **SRC** repeatedly to select the tuner source.
- 2 Press and hold **◀◀ / ▶▶** for more than 2 seconds.
  - ↳ **[SEARCH]** (search) is displayed.
  - ↳ The radio tunes to a station with strong reception automatically.
- 3 Repeat step 2 to tune to more stations.

## Tip

- To tune to a weak station, press **◀◀ / ▶▶** repeatedly until you find optimal reception.

---

## Program radio stations automatically

You can program a maximum of 20 preset radio stations (FM).

- In tuner mode, press and hold **PROG** for more than 2 seconds to activate automatic program mode.
  - ↳ **[AUTO]** (auto) is displayed.
  - ↳ All available stations are programmed in the order of waveband reception strength.
  - ↳ The first programmed radio station is broadcast automatically.

---

## Program radio stations manually

You can program a maximum of 20 preset radio stations (FM).

- 1 Tune to a radio station.
- 2 Press **PROG** to activate program mode.
  - ↳ **[PROG]** (program) is displayed.
- 3 Press **PRESET/ALBUM ▲ / ▼** to allocate a number to this radio station, then press **PROG** to confirm.
- 4 Repeat the above steps to program other stations.

## Tip

- To overwrite a programmed station, store another station in its place.

---

## Select a preset radio station

- In tuner mode, press **PRESET/ALBUM ▲ / ▼** to select a preset number:

## Tip

- Position the antenna as far as possible from TV, VCR, or other radiation source.
- For optimal reception, fully extend and adjust the position of the antenna.

---

## Select stereo/mono broadcast

For stations with weak signals: to improve the reception, change to monaural sound.

- In tuner source, press **OK** to select a setting:
  - **[STEREO]**: stereo broadcast.
  - **[MONO]**: monaural broadcast.

# 7 Adjust sound

---

## Adjust volume

- During play, press **VOL +/-** to increase/decrease the volume.

## Select a preset sound effect

- During play, press **SOUND** repeatedly to select:
  - **[BALANCED]** (balanced)
  - **[WARM]** (warm)
  - **[BRIGHT]** (bright)
  - **[POWERFUL]** (powerful)
  - **[CLEAR]** (clear)

## Mute sound

- During play, press **MUTE** to mute/unmute sound.

# 8 Other features

---

## Set the sleep timer

This unit can switch to standby automatically after a set period of time.

- When the unit is turned on, press **SLEEP/TIMER** repeatedly to select a set period of time (in minutes).
    - [SLEEP OFF]
    - [SLEEP -- 120]
    - [SLEEP -- 90]
    - [SLEEP -- 60]
    - [SLEEP -- 45]
    - [SLEEP -- 30]
    - [SLEEP -- 15]
- ↳ When sleep timer is activated, **zZ** is displayed.

### To deactivate sleep timer

- Press **SLEEP/TIMER** repeatedly until [SLEEP OFF] (sleep off) is displayed.
  - ↳ When sleep timer is deactivated, **zZ** disappears.

---

## Set the alarm timer

This unit can be used as an alarm clock. The DISC, USB, TUNER, IPOD IPHONE or PLAYLIST is activated to play at a preset time.

- 1 Press **⏻** to switch the unit to standby mode.
- 2 Make sure that you have set the clock correctly.
- 3 Press and hold **SLEEP/TIMER**.
  - ↳ A prompt to select the source is displayed.

- 4 Press **SRC** repeatedly to select a source: DISC, USB, TUNER, IPOD IPHONE or PLAYLIST.
- 5 Press **SLEEP/TIMER** to confirm.
  - ↳ The hour digits begin to blink.
- 6 Press **PRESET/ALBUM ▲ / ▼** to set the hour.
- 7 Press **SLEEP/TIMER** to confirm.
  - ↳ The minute digits begin to blink.
- 8 Press **PRESET/ALBUM ▲ / ▼** to set the minute.
- 9 Press **SLEEP/TIMER** to confirm.
  - ↳ The [VOL] (volume) begins to blink.
- 10 Press **PRESET/ALBUM ▲ / ▼** to adjust the volume, then press **SLEEP/TIMER** to confirm.
  - ↳ The timer is set and activated.



### Tip

- For source selection, you can also press **VOL -/+**, **PRESET/ALBUM ▲ / ▼** on the remote control, or **VOL -/+** on the main unit.
- For hour/minute/volume adjustment, you can also press **VOL -/+** on the remote control or the main unit.

---

## Activate and deactivate the alarm timer

- 1 Press **⏻** to switch the unit to standby mode.
- 2 Press **SLEEP/TIMER** repeatedly to activate or deactivate the timer.
  - ↳ If the timer is activated, the display shows **⌚**.
  - ↳ If the timer is deactivated, **⌚** disappears on the display.

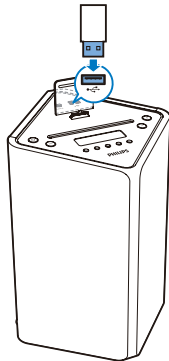
## Note

- In AUDIO IN mode, the alarm timer cannot be set.
- If DISC/USB/Dock source is selected and the track cannot be played, tuner is activated automatically.
- If iPod/iPhone playlist is selected as the alarm source, you need create a playlist called "PHILIPS" in your iPod/iPhone.
- If no playlist named "PHILIPS" exists in the iPod/iPhone or the playlist includes no playable track, this product switches the alarm source to iPod/iPhone library.

## Play from external audio device

You can play from an external audio device such as MP3 player through this unit.

- 1 Connect the audio device.  
Connect the AUDIO IN cable (not supplied) to the **AUDIO IN** socket and to the headphone socket on the audio device.



- 2 Press **SRC** to select **AUDIO IN** source.
- 3 Play the external audio device.

## Adjust display brightness

### Note

- You can adjust the display brightness in standby mode only.

In standby mode, press **RDS/DISPLAY** repeatedly to adjust display brightness.

- Full brightness (100%)
- Half brightness (70%)
- Brightness low (40%)



# 9 Product information

## Note

- Product information is subject to change without prior notice.

## Specifications

### Amplifier

Maximum Output Power	50W
Frequency Response	45 Hz - 20 kHz, ± 3 dB
Signal to Noise Ratio	> 77 dBA
Audio In Input	600mV RMS 22 k $\Omega$

### Disc

Laser Type	Semiconductor
Disc Diameter	12 cm
Support disc	CD-DA, CD-R, CD- RW, MP3-CD, WMA- CD
Audio DAC	24 Bits / 44.1 kHz
Total Harmonic Distortion	< 0.8% (1 kHz)
Frequency Response	4 Hz -20 kHz (44.1 kHz)
Signal to Noise Ratio	> 77 dBA

### Tuner

Tuning Range	FM: 87.5 - 108 MHz
Tuning grid	50 KHz
Number of presets	20

Sensitivity	
- Mono, 26dB S/N Ratio	< 22 dBf
- Stereo, 46dB S/N Ratio	< 43 dBf
Search Selectivity	< 28 dBf
Total Harmonic Distortion	< 2%
Signal to Noise Ratio	> 55 dB

### Speakers

Speaker Impedance	8 ohm
Speaker Driver	65 mm full range
Sensitivity	>83dB/m/W ±4dB/m/W

### General information

AC power	110-240V ~, 50/60Hz
Operation Power Consumption	25 W
Eco Standby Power Consumption	< 0.5 W
USB Direct	Version 2.0HS
Dimensions	234 x 364 x 239 mm
- Main Unit (W x H x D)	
Weight	
- Main Unit	2.5 kg

## USB playability information

### Compatible USB devices:

- USB flash memory (USB 1.1 and USB 2.0)
- USB flash players (USB 1.1 and USB 2.0)
- memory cards (requires an additional card reader to work with this unit)

### Supported formats:

- USB or memory file format FAT12, FAT16, FAT32 (sector size: 512 bytes)
- MP3 bit rate (data rate): 32-320 Kbps and variable bit rate

- WMA v9 or earlier
  - Directory nesting up to a maximum of 8 levels
  - Number of albums/ folders: maximum 99
  - Number of tracks/titles: maximum 999
  - ID3 tag v2.0 to v2.3
  - File name in Unicode UTF8 (maximum length: 16 bytes)
- After prolonged use, dirt or dust may accumulate at the disc lens. To ensure good play quality, clean the disc lens with Philips CD lens cleaner or any commercially available cleaner. Follow the instructions supplied with cleaner.

---

## Supported MP3 disc formats

- ISO9660, Joliet
- Maximum title number: 999 (depending on file name length)
- Maximum album number: 99
- Supported sampling frequencies: 32 kHz, 44.1 kHz, 48 kHz
- Supported Bit-rates: 32~320 (kbps), variable bit rates

---

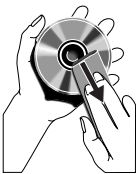
## Maintenance

### Clean the cabinet

- Use a soft cloth slightly moistened with a mild detergent solution. Do not use a solution containing alcohol, spirits, ammonia or abrasives.

### Clean discs

- When a disc becomes dirty, clean it with a cleaning cloth. Wipe the disc from the centre out.



- Do not use solvents such as benzene, thinner, commercially available cleaners, or antistatic spray intended for analogue records.

### Clean the disc lens

# 10 Troubleshooting



## Warning

- Never remove the casing of this apparatus.

To keep the warranty valid, never try to repair the system yourself.

If you encounter problems when using this unit, check the following points before requesting service. If the problem remains unsolved, go to the Philips web site ([www.philips.com/support](http://www.philips.com/support)). When you contact Philips, ensure that the unit is nearby and the model number and serial number are available.

### No power

- Ensure that the AC power cord of the unit is connected properly.
- Ensure that there is power at the AC outlet.
- As a power-saving feature, the system switches off automatically 15 minutes after track play reaches the end and no control is operated.

### No sound or poor sound

- Adjust the volume.

### No response from the unit

- Disconnect and reconnect the AC power plug, then turn on the unit again.
- As a power-saving feature, the system switches off automatically 15 minutes after track play reaches the end and no control is operated.

### Remote control does not work

- Before you press any function button, first select the correct source with the remote control instead of the main unit.
- Reduce the distance between the remote control and the unit.
- Insert the battery with its polarities (+/- signs) aligned as indicated.
- Replace the battery.

- Aim the remote control directly at the sensor on the front of the unit.

### No disc detected

- Insert a disc.
- Check if the disc is inserted upside down.
- Wait until the moisture condensation at the lens has cleared.
- Replace or clean the disc.
- Use a finalized CD or correct format disc.

### Cannot display some files in USB device

- The number of folders or files in the USB device has exceeded a certain limit. This phenomenon is not a malfunction.
- The formats of these files are not supported.

### USB device not supported

- The USB device is incompatible with the unit. Try another one.

### Poor radio reception

- Increase the distance between the unit and your TV or VCR.
- Fully extend the FM antenna.

### Timer does not work

- Set the clock correctly.
- Switch on the timer.

### Clock/timer setting erased

- Power has been interrupted or the power cord has been disconnected.
- Reset the clock/timer.







Specifications are subject to change without notice  
2014 © WOOX Innovations Limited. All rights reserved.  
Philips and the Philips' Shield Emblem are registered trademarks of Koninklijke Philips N.V. and are used by WOOX Innovations Limited under license from Koninklijke Philips N.V.

DCM3155DG\_78\_UM\_V2.0

