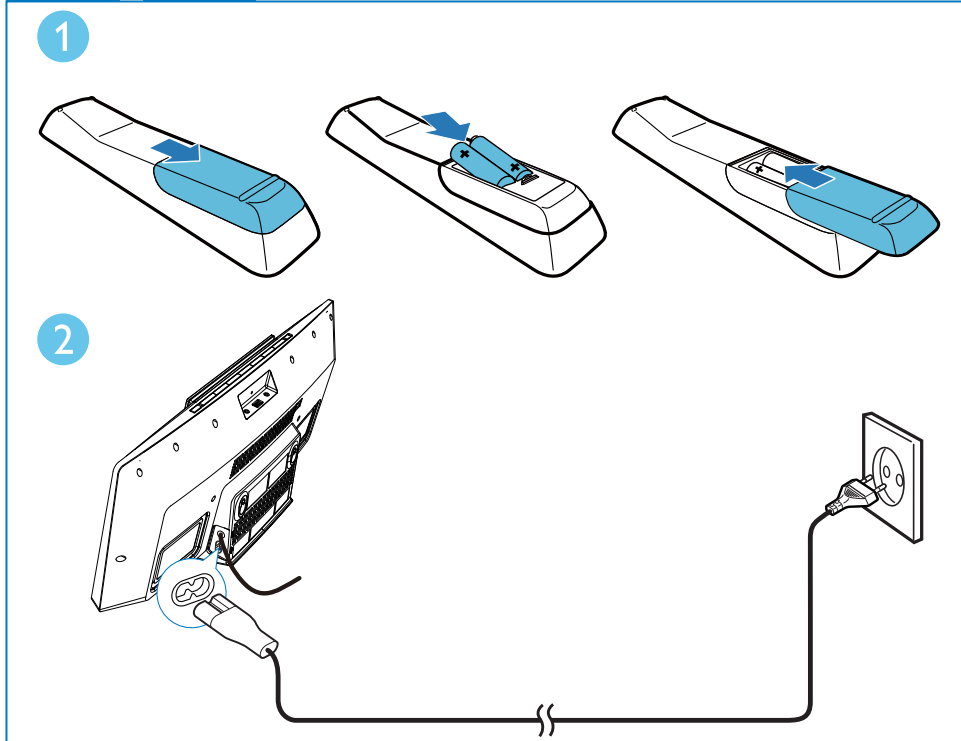
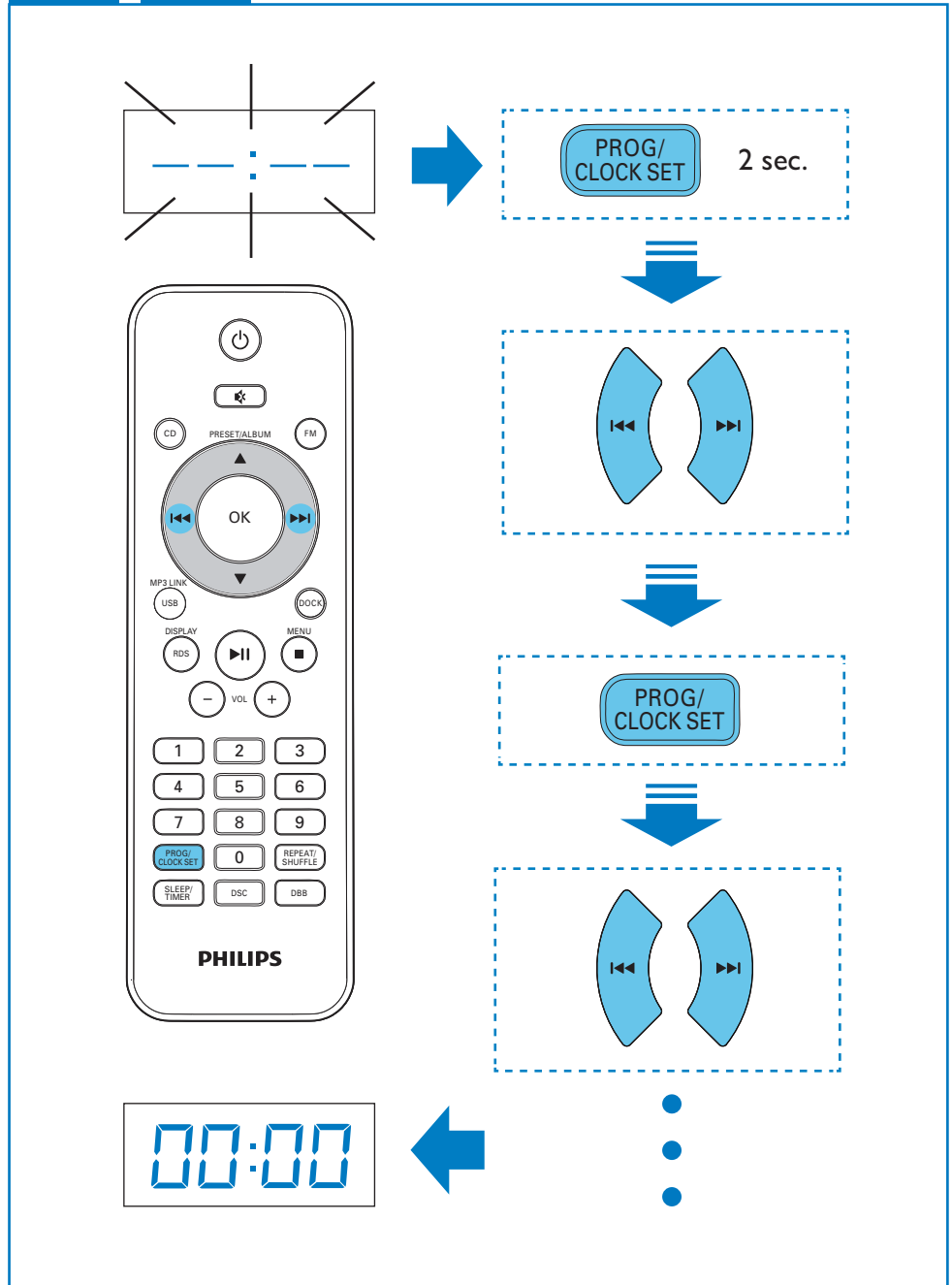
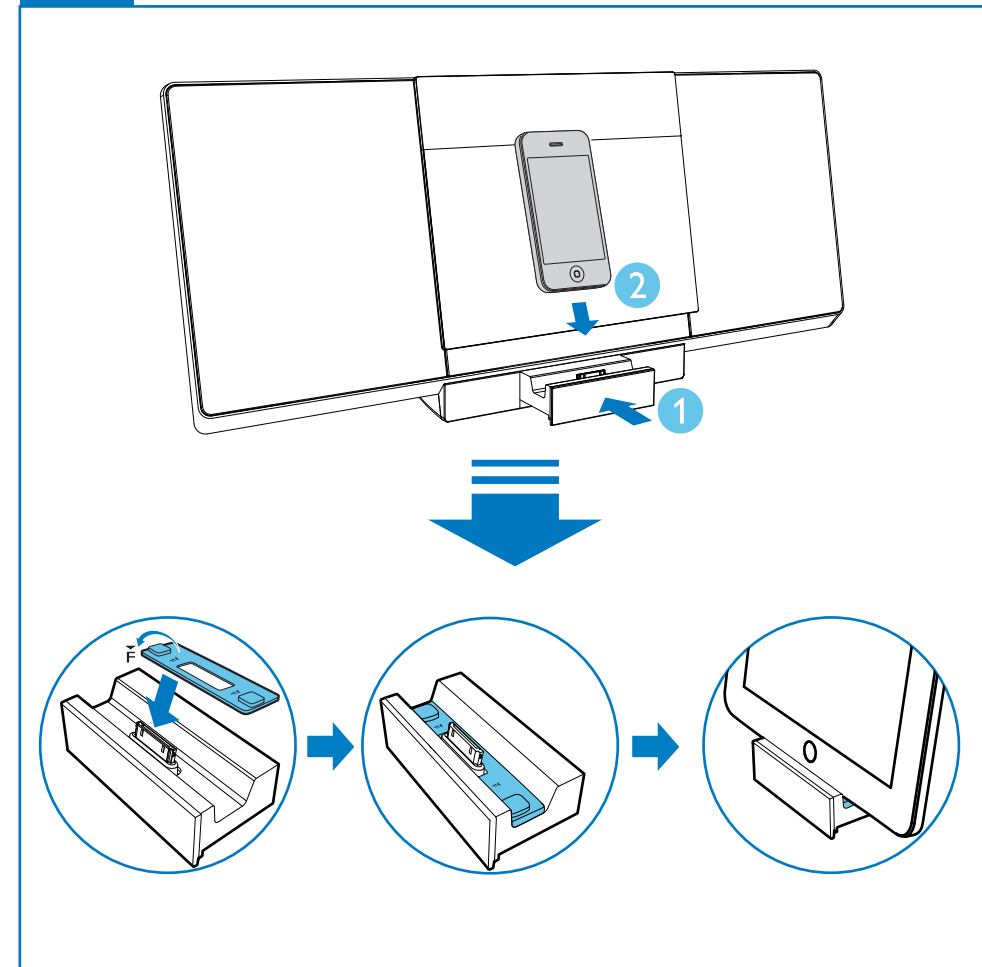
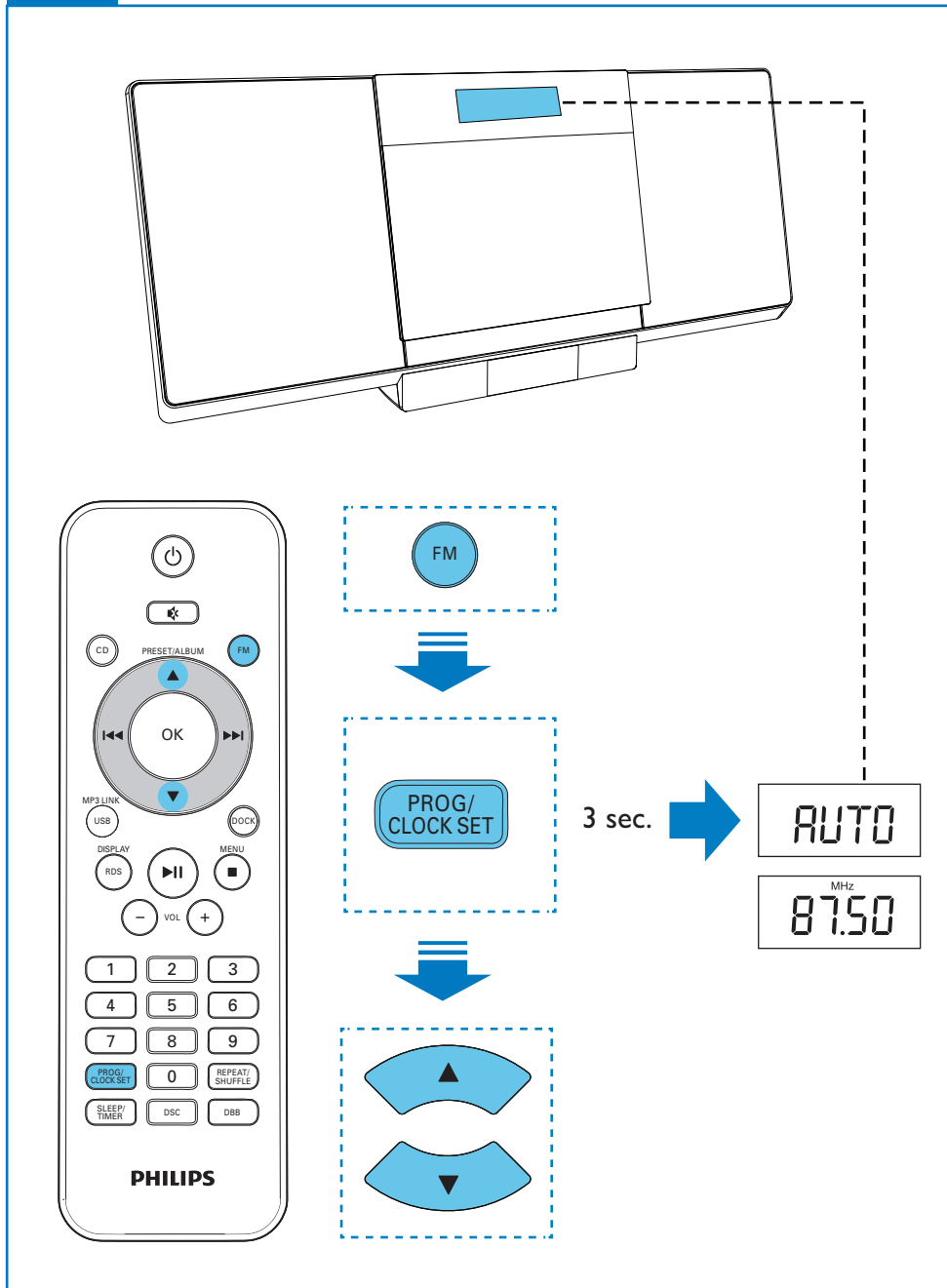
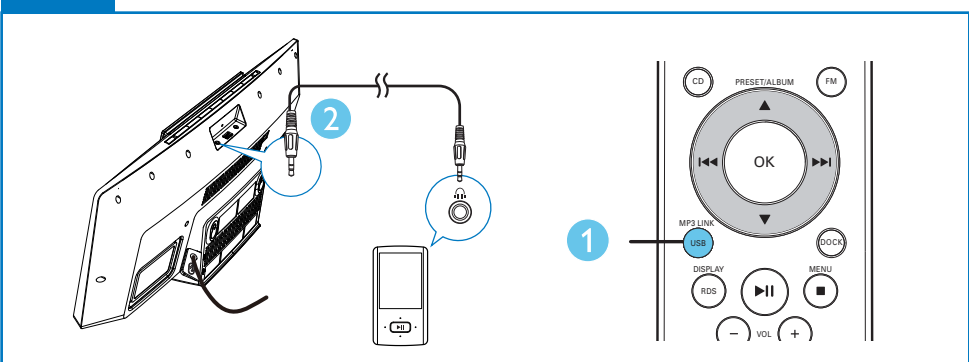
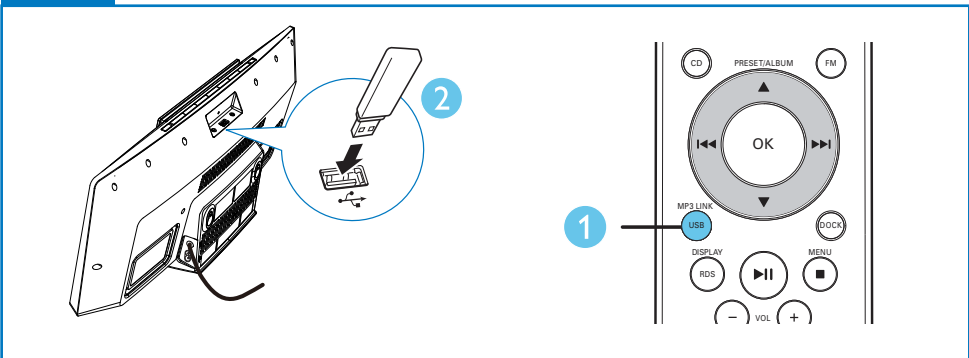
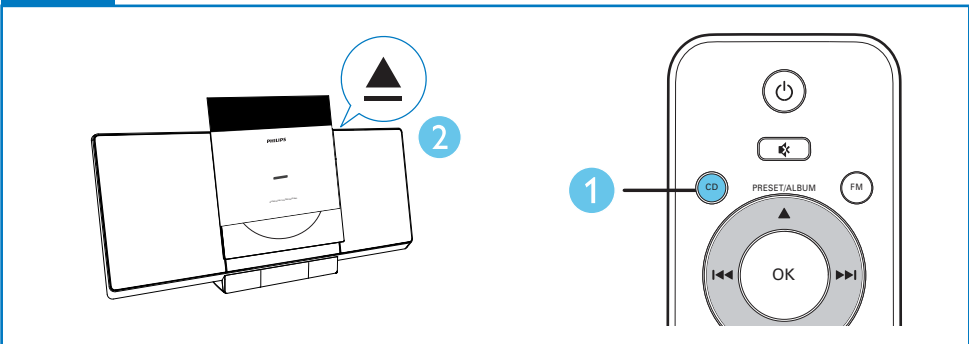


1



2





© 2011 Koninklijke Philips Electronics N.V.
All rights reserved.

DCM3060_98_QSG_V1.0

