

Always there to help you

Register your product and get support at
www.philips.com/welcome

DCM1170



User manual

PHILIPS

Contents

1 Important	2	7 Product information	13
Safety	2	Specifications	13
		USB playability information	14
		Supported MP3 disc formats	14
2 Your micro system	4	8 Troubleshooting	15
Introduction	4		
What's in the box	4	9 Notice	16
Overview of the main unit	5		
Overview of the remote control	6		
3 Get started	7		
Connect speakers	7		
Connect power	7		
Demonstrate the features	7		
Prepare the remote control	7		
Set clock	8		
Turn on	8		
4 Play	9		
Play from disc	9		
Play from USB	9		
Play from iPod/iPhone	9		
Control play	10		
Skip to a track	10		
Program tracks	10		
5 Listen to the radio	11		
Tune to a radio station	11		
Program radio stations automatically	11		
Program radio stations manually	11		
Select a preset radio station	11		
6 Other features	12		
Set the alarm timer	12		
Set the sleep timer	12		
Listen to an external device	12		

1 Important

Safety



This 'bolt of lightning' indicates uninsulated material within the device may cause an electrical shock. For the safety of everyone in your household, please do not remove the covering.

The 'exclamation mark' calls attention to features for which you should read the enclosed literature closely to prevent operating and maintenance problems.

WARNING: To reduce the risk of fire or electric shock, the device should not be exposed to rain or moisture and objects filled with liquids, such as vases, should not be placed on the device.

CAUTION: To prevent electric shock, fully insert the plug. (For regions with polarized plugs: To prevent electric shock, match wide blade to wide slot.)

Important Safety Instructions

- Follow all instructions.
- Heed all warnings.
- Do not use this device near water.
- Clean only with dry cloth.
- Do not block any ventilation openings. Install in accordance with the manufacturer's instructions.
- Do not install near any heat sources such as radiators, heat registers, stoves, or other devices (including amplifiers) that produce heat.

- Protect the power cord from being walked on or pinched, particularly at plugs, convenience receptacles, and the point where they exit from the device.
- Only use attachments/accessories specified by the manufacturer.
- Use only with the cart, stand, tripod, bracket, or table specified by the manufacturer or sold with the device. When a cart is used, use caution when moving the cart/device combination to avoid injury from tip-over.



- Unplug this device during lightning storms or when unused for long periods of time.
- Refer all servicing to qualified service personnel. Servicing is required when the device has been damaged in any way, such as power-supply cord or plug is damaged, liquid has been spilled or objects have fallen into the device, the device has been exposed to rain or moisture, does not operate normally, or has been dropped.
- Battery usage CAUTION – To prevent battery leakage which may result in bodily injury, property damage, or damage to the unit:
 - Install all batteries correctly, + and - as marked on the unit.
 - Do not mix batteries (old and new or carbon and alkaline, etc.).
 - Batteries (packed or installed) shall not be exposed to excessive heat such as sunshine, fire or the like.
 - Remove batteries when the unit is not used for a long time.
- The device shall not be exposed to dripping or splashing.

- Do not place any sources of danger on the device (e.g. liquid filled objects, lighted candles).
- Where the MAINS plug or an appliance coupler is used as the disconnect device, the disconnect device shall remain readily operable.



Warning

- Never remove the casing of this device.
- Never lubricate any part of this device.
- Never place this device on other electrical equipment.
- Keep this device away from direct sunlight, naked flames or heat.
- Never look into the laser beam inside this device.
- Ensure that you always have easy access to the power cord, plug, or adaptor to disconnect this device from the power.

2 Your micro system

Congratulations on your purchase, and welcome to Philips! To fully benefit from the support that Philips offers, register your product at www.philips.com/welcome.

Introduction

With this unit, you can:

- enjoy audio from discs, USB storage devices, iPod/iPhone, and other external devices;
- listen to radio stations.

You can enrich sound output with below sound effect:

- Digital Sound Control (DSC)
 - DSC 1: Balanced
 - DSC 2: Clear
 - DSC 3: Powerful
 - DSC 4: Warm
 - DSC 5: Bright

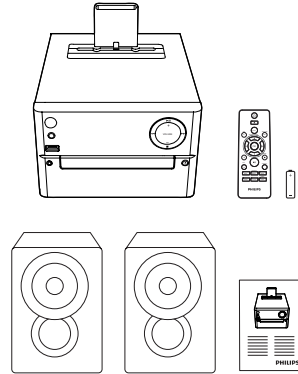
The unit supports these media formats:



What's in the box

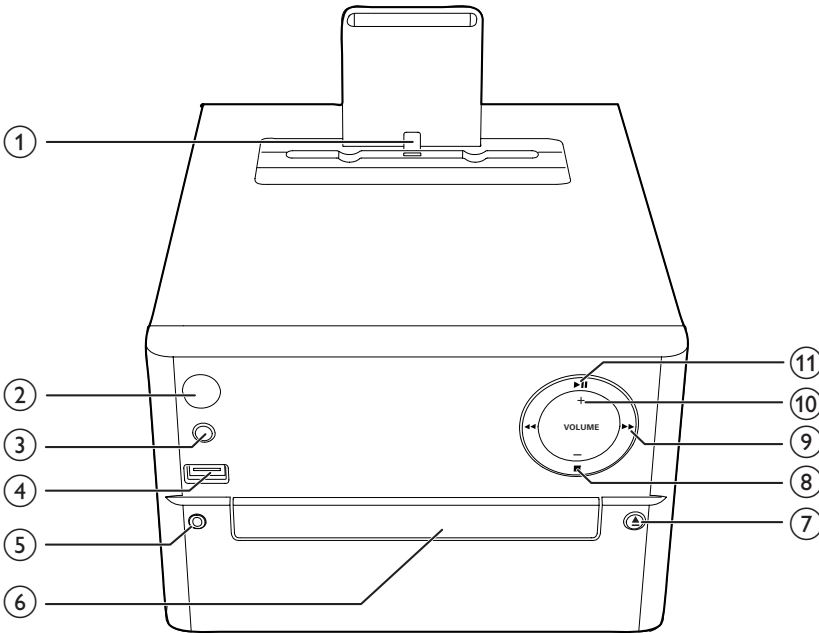
Check and identify the contents of your package: [Fig. 1]

- Main unit
- 2 x speakers
- Remote control (with one AAA battery)
- Short user manual



Overview of the main unit

[Fig. 2]



① Dock for iPod/iPhone

② 

- Turn the unit on or off.
- Switch to standby mode or Eco standby mode.

③ SOURCE

- Select a source: CD, USB, FM, AUDIO IN.

④ 

- Jack for a USB device.

⑤ AUDIO IN

- Audio input jack (3,5mm) for an external audio device.

⑥ Disc compartment

⑦ 

- Open/close the disc compartment.

⑧ 

- Stop play or erase a program.

⑨ 

- Skip to the previous/next track.
- Search within a track/disc/USB.
- Tune to a radio station.
- Adjust time.

⑩ VOLUME +/-

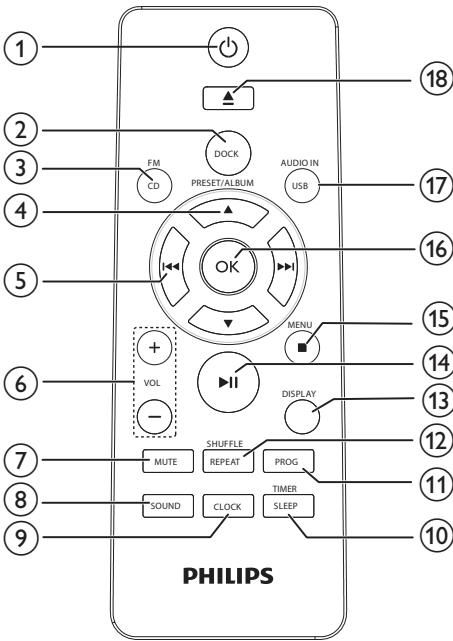
- Adjust volume.

⑪ 

- Start, pause, or resume play.

Overview of the remote control

[Fig. 3]



- ① **⏻**
 - Turn the unit on or off.
 - switch to standby mode or Eco power standby mode.
- ② **DOCK**
 - Select **DOCK** source.
- ③ **CD/FM**
 - Select **CD/FM** source.
- ④ **PRESET/ALBUM ▲ / ▼**
 - Select a preset radio station.
 - Skip to previous/next album.
- ⑤ **⏮ / ⏭**
 - Skip to the previous/next track.
 - Search within a track/disc/USB.

- Tune to a radio station.
- Adjust time.
- ⑥ **VOL +/-**
 - Adjust volume.
- ⑦ **MUTE**
 - Mute or restore volume.
- ⑧ **SOUND**
 - Enrich sound effect with Digital Sound Control (DSC).
- ⑨ **CLOCK**
 - Set the clock.
 - View clock information.
- ⑩ **SLEEP/TIMER**
 - Set sleep timer.
 - Set alarm timer.
- ⑪ **PROG**
 - Program tracks.
 - Program radio stations.
 - Auto store FM radio stations.
- ⑫ **SHUFFLE/REPEAT**
 - Play tracks repeatedly or randomly.
- ⑬ **DISPLAY**
 - Adjust display brightness.
- ⑭ **▶ ||**
 - Start, pause, or resume play.
- ⑮ **MENU/■**
 - Access iPod/iPhone menu.
 - Stop play or erase a program.
- ⑯ **OK**
 - Confirm a selection.
- ⑰ **USB/AUDIO IN**
 - Select USB or AUDIO IN source.
- ⑱ **▲**
 - Press to open or close the disc compartment.

3 Get started

! **Caution**

- Use of controls or adjustments or performance of procedures other than herein may result in hazardous radiation exposure or other unsafe operation.

Always follow the instructions in this chapter in sequence.

If you contact Philips, you will be asked for the model and serial number of this apparatus. The model number and serial number are on the back of the apparatus. Write the numbers here:

Model No. _____

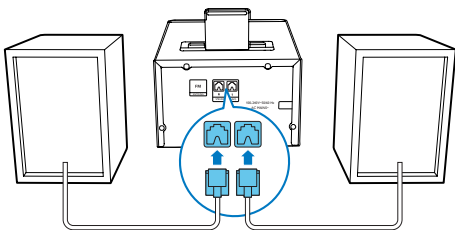
Serial No. _____

Connect speakers

☰ **Note**

- For optimal sound, use the supplied speakers only.
- Connect only speakers with impedance that is the same or higher than the supplied speakers. Refer to the Specifications section of this manual.

[Fig. 4]

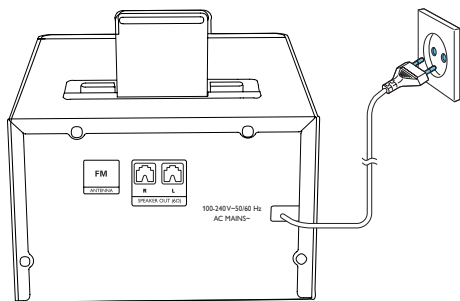


Connect power

! **Caution**

- Risk of product damage! Ensure that the power supply voltage corresponds to the voltage printed on the back or the underside of the unit.
- Risk of electric shock! When you unplug the AC power cord, always pull the plug from the socket. Never pull the cord.
- Before you connect the AC power cord, ensure that you have completed all other connections.

[Fig. 5]



Demonstrate the features

In the standby mode, you can demonstrate features by pressing **■**.

↳ The features are displayed one by one across the display panel.

- To turn off the demonstration, press **■** again.

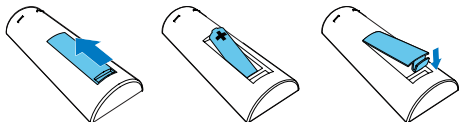
Prepare the remote control

! **Caution**

- Risk of explosion! Keep batteries away from heat, sunshine or fire. Never discard batteries in fire.
- Risk of decreased battery life! Never mix different brands or types of batteries.
- Risk of product damage! When the remote control is not used for long periods, remove the batteries.

To insert the remote control battery: [Fig. 6]

- 1 Open the battery compartment.
- 2 Insert the supplied AAA battery with correct polarity (+/-) as indicated.
- 3 Close the battery compartment.



Set clock

- 1 In standby mode, press and hold **CLOCK** on the remote control for more than two seconds.
↳ [24H] or [12H] hour format is displayed.
- 2 Press **◀◀** / **▶▶** to select [24H] or [12H] hour format, and then press **CLOCK**.
↳ The hour digits are displayed and begin to blink.
- 3 Press **◀◀** / **▶▶** to set hour; and then press **CLOCK**.
↳ The minute digits are displayed and begin to blink.
- 4 Repeat step 3 to set minute.

Note

- If no button is pressed in 90 seconds, the system exits clock setting mode automatically.

Tip

- You can view clock information in power-on mode by pressing **CLOCK**.

Turn on

Press **⏻**.
↳ The unit switches to the last selected source.

Switch to standby mode

Press **⏻** again to switch the unit to standby mode.
↳ The clock (if set) is displayed on the panel.

Switch to ECO standby mode:

Press and hold **⏻** for more than two seconds.
↳ The display panel is dimmed.

Note

- The unit switches to Eco Power Standby mode after 15 minutes in standby mode.

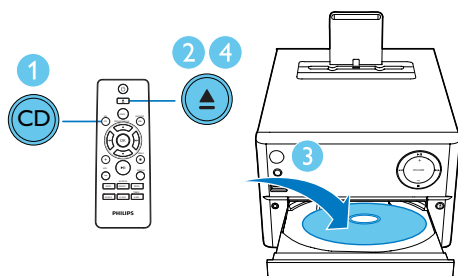
Switch between standby mode and ECO standby mode:

Press and hold **⏻** for more than two seconds.

4 Play

Play from disc


- 1 Press **CD/FM** repeatedly to select **CD** source.
- 2 Press **▲** to open the disc compartment.
- 3 Insert a disc with the printed side facing upward. [Fig. 7]
- 4 Press **▲** to close the disc compartment.
↳ Play starts automatically. If not, press **▶||**.

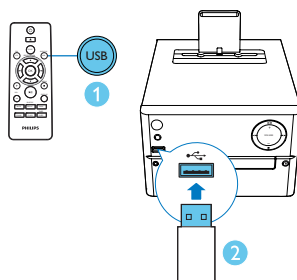


Play from USB

Note

- Make sure that the USB device contains playable audio content.

- 1 Press **USB/AUDIO IN** repeatedly to select the USB source.
- 2 Insert a USB device into the  socket. [Fig. 8]
↳ Play starts automatically. If not, press **▶||**.



Play from iPod/iPhone

When the iPod/iPhone is docked on this Micro System, you can listen to music from the speakers.

Compatible iPod/iPhone

The docking speaker supports the following iPod/iPhone models.

Made for:

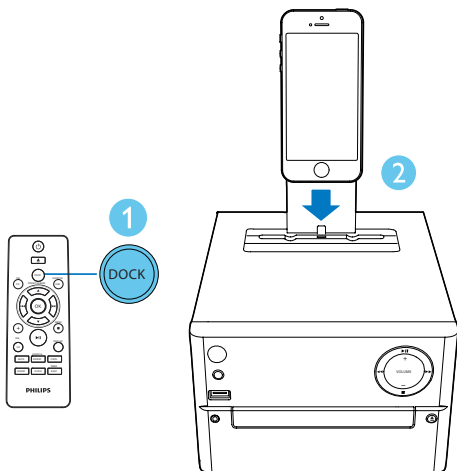
- iPhone 5
- iPod nano (7th generation)
- iPod touch (5th generation)

Play an iPod/iPhone

Note

- When an iPod/iPhone player is loaded, the unit switches to iPod source automatically.

- 1 Press **DOCK** to select **DOCK** source.
- 2 Place your iPod/iPhone in the dock. [Fig. 9]
↳ The connected iPod/iPhone plays automatically.



Charge the iPod/iPhone

The docked iPod/iPhone begins to charge automatically after connected to power.

Control play

▲ / ▼	Select a folder.
◀◀ / ▶▶	Select an audio file.
▶	Pause or resume play.
■	Stop play.
MENU	Access iPod/iPhone menu.
OK	Confirm a selection.
REPEAT	Play a track or all tracks repeatedly.
SHUFFLE	Play tracks randomly.
VOL +/-	Increase or decrease the volume.
MUTE	Mute or restore sound.
SOUND	Enrich sound effect with DSC: balanced, clear, powerful, warm, and bright.
DISPLAY	Adjust display brightness.

Skip to a track

For CD:

Press ◀◀ / ▶▶ to select another track.

For MP3 disc and USB:

- 1 Press ▲ / ▼ to select an album or a folder.
- 2 Press ◀◀ / ▶▶ to select a track or a file.

Program tracks

You can program a maximum of 20 tracks.

- 1 Press **PROG** to activate the program mode.
- 2 For MP3 tracks, press ▲ / ▼ to select an album.
- 3 Press ◀◀ / ▶▶ to select a track, and then press **PROG** to confirm.
- 4 Repeat steps 2 to 3 to program more tracks.
- 5 Press ▶ || to play the programmed tracks.
 - ↳ During play, [**PROG**] (program) is displayed.
 - To erase the program, in the stop position, press ■.

5 Listen to the radio

Tune to a radio station



Tip

- Position the antenna as far as possible from TV, VCR, or other radiation source.
- For optimal reception, fully extend and adjust the position of the antenna.

- 1 Press **CD/FM** repeatedly to select **FM** source.
- 2 Press and hold **◀◀ / ▶▶** for more than two seconds.
 - ↳ The radio tunes to a station with strong reception automatically.
- 3 Repeat step 2 to tune to more stations.

To tune to a weak station:

Press **◀◀ / ▶▶** repeatedly until you find optimal reception.

Program radio stations automatically



Note

- You can program a maximum of 20 preset radio stations (FM).

In tuner mode, press and hold **PROG** for more than two seconds to activate automatic programming.

- ↳ All available stations are programmed in the order of waveband reception strength.
- ↳ The first programmed radio station is broadcast automatically.

Program radio stations manually

- 1 Tune to a radio station.
- 2 Press **PROG**, and then press **▲ / ▼** to select a number from 1–20.
- 3 Press **PROG** to confirm.
 - ↳ The preset number and the frequency of the preset station are displayed.
- 4 Repeat steps 2–3 to program more stations.



Note

- To overwrite a programmed station, store another station in its place.

Select a preset radio station

In tuner mode, press **▲ / ▼** to select a preset number.

6 Other features

Set the alarm timer

This unit can be used as an alarm clock. You can select CD, FM, USB, or iPod/iPhone as alarm source.

Note

- Make sure that you have set the clock correctly.

- 1 In standby mode, press and hold **SLEEP/TIMER** for more than two seconds.
↳ The hour digits are displayed and begin to blink.
- 2 Press **◀▶** repeatedly to set hour; and then press **SLEEP/TIMER**.
↳ The minute digits are displayed and begin to blink.
- 3 Repeat step 2 to set minute, select a source (**CD, FM, USB, or iPod/iPhone**), and adjust volume.

Note

- If no button is pressed in 90 seconds, the system exits timer setting mode automatically.

To activate or deactivate the alarm timer:

Press **SLEEP/TIMER** repeatedly to activate or deactivate the alarm.

- ↳ If timer is activated,  is displayed.

Tip

- If CD/USB/iPod/iPhone source is selected, but no disc is placed or no USB/iPod/iPhone connected, the system switches to the tuner source automatically.

Set the sleep timer

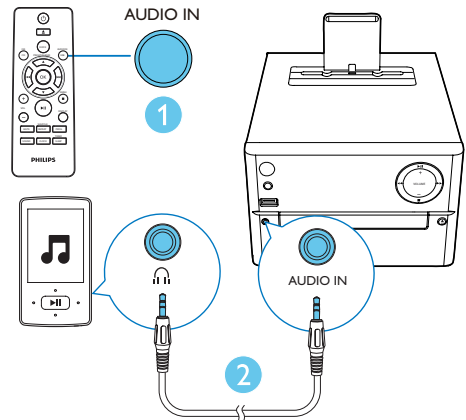
To set the sleep timer, in turn on mode, press **SLEEP/TIMER** repeatedly to select a set period of time (in minutes).

- ↳ When sleep timer is activated, **zZ** is displayed. Otherwise, **zZ** disappears.

Listen to an external device

You can listen to an external device through this unit with an MP3 link cable (not supplied).

- 1 Press **USB/AUDIO IN** repeatedly to select **AUDIO IN** source.
- 2 Connect an MP3 link cable (not supplied) between: **[Fig. 10]**
 - **AUDIO IN** jack (3.5 mm) on the unit,
 - and the headphone jack on an external device.
- 3 Start to play the device (see the device user manual).



7 Product information



Note

- Product information is subject to change without prior notice.

Specifications

Amplifier

Maximum Output Power	20 W
Frequency Response	60 Hz - 16 kHz; ± 3 dB
Signal to Noise Ratio	>70 dBA
Total Harmonic Distortion	<1%
Aux Input	600 mV RMS

Speakers

Speaker Impedance	6 ohm
Speaker Driver	3.5" woofer
Sensitivity	>84 dB/m/W

Tuner (FM)

Tuning Range	87.5-108 MHz
Tuning grid	50 KHz
Sensitivity	
- Mono, 26dB S/N Ratio	<22 dBf
- Stereo, 46dB S/N Ratio	<51 dBf
Search Selectivity	<30 dBf
Total Harmonic Distortion	<3%
Signal to Noise Ratio	>45 dBA

USB

USB Direct Version	2.0 full speed
USB 5 V Power	≤ 500 mA

Disc

Laser Type	Semiconductor
Disc Diameter	12 cm/8 cm
Support Disc	CD-DA, CD-R, CD-RW, MP3-CD
Audio DAC	24 Bits/44.1 kHz
Total Harmonic Distortion	<1% (1 kHz)
Frequency Response	60 Hz - 16 kHz; ± 3 dB
S/N Ratio	>70 dBA

General information

AC power	100-240 V~, 47-53 Hz
Operation Power Consumption	18 W
Eco Standby Power Consumption	<0.5 W
Dimensions	
- Main Unit (W x H x D)	180 x 177 x 239 mm
- Speaker Box (W x H x D)	120 x 170 x 160 mm
Weight	
- Main Unit	1.5 kg
- Speaker Box	2 x 1.2 kg

USB playability information

Compatible USB devices:

- USB flash memory (USB2.0 or USB1.1)
- USB flash players (USB2.0 or USB1.1)
- memory cards (requires an additional card reader to work with this unit)

Supported formats:

- USB or memory file format: FAT12, FAT16, FAT32 (sector size: 512 bytes)
- MP3 bit rate (data rate): 32-320 Kbps and variable bit rate
- Directory nesting up to a maximum of 8 levels
- Number of albums/ folders: maximum 99
- Number of tracks/titles: maximum 999
- File name in Unicode UTF8 (maximum length: 32 bytes)

Unsupported formats:

- Empty albums: an empty album is an album that does not contain MP3/WMA files, and will not be shown in the display.
- Unsupported file formats are skipped. For example, word documents (.doc) or MP3 files with extension .dlf are ignored and not played.
- WMA, AAC, WAV, PCM audio files
- DRM protected WMA files (.wav, .m4a, .m4p, .mp4, .aac)
- WMA files in Lossless format

- Supported Bit-rates: 32~256 (kbps), variable bit rates

Supported MP3 disc formats

- ISO9660, Joliet
- Maximum title number: 128 (depending on file name length)
- Maximum album number: 99
- Supported sampling frequencies: 32 kHz, 44.1 kHz, 48 kHz

8 Troubleshooting



Warning

- Never remove the casing of this device.

To keep the warranty valid, never try to repair the system yourself.

If you encounter problems when using this device, check the following points before requesting service. If the problem remains unsolved, go to the Philips Web page (www.philips.com/support). When you contact Philips, make sure that the device is nearby and the model number and serial number are available.

No power

- Make sure that the AC power cord of the device is connected properly.
- Make sure that there is power at the AC outlet.
- As a power-saving feature, the system switches off automatically 15 minutes after track play reaches the end and no control is operated.

No sound or poor sound

- Adjust the volume.
- Check that the speakers are connected correctly.
- Check if the stripped speaker wires are clamped.

No response from the unit

- Disconnect and reconnect the AC power plug, then turn on the unit again.
- As a power-saving feature, the system switches off automatically 15 minutes after track play reaches the end and no control is operated.

Remote control does not work

- Before you press any function button, first select the correct source with the remote control instead of the main unit.
- Reduce the distance between the remote control and the unit.

- Insert the battery with its polarities (+/- signs) aligned as indicated.
- Replace the battery.
- Aim the remote control directly at the sensor on the front of the unit.

No disc detected

- Insert a disc.
- Check if the disc is inserted upside down.
- Wait until the moisture condensation at the lens has cleared.
- Replace or clean the disc.
- Use a finalized CD or correct format disc.

Cannot display some files in USB device

- The number of folders or files in the USB device has exceeded a certain limit. This phenomenon is not a malfunction.
- The formats of these files are not supported.

USB device not supported

- The USB device is incompatible with the unit. Try another one.

Poor radio reception

- Increase the distance between the unit and your TV or VCR.
- Fully extend the FM antenna.

Timer does not work

- Set the clock correctly.
- Switch on the timer.

Clock/timer setting erased

- Power has been interrupted or the power cord has been disconnected.
- Reset the clock/timer.

9 Notice

Any changes or modifications made to this device that are not expressly approved by WOOX Innovations may void the user's authority to operate the equipment.



This product complies with the radio interference requirements of the European Community.



Your product is designed and manufactured with high quality materials and components, which can be recycled and reused.



When this crossed-out wheeled bin symbol is attached to a product it means that the product is covered by the European Directive 2002/96/EC.

Please inform yourself about the local separate collection system for electrical and electronic products.

Please act according to your local rules and do not dispose of your old products with your normal household waste. Correct disposal of your old product helps to prevent potential negative consequences for the environment and human health.



Your product contains batteries covered by the European Directive 2006/66/EC, which cannot be disposed with normal household waste. Please inform yourself about the local rules on separate collection of batteries because correct disposal helps to prevent negative consequences for the environmental and human health.

Environmental information

All unnecessary packaging has been omitted. We have tried to make the packaging easy to separate into three materials: cardboard (box), polystyrene foam (buffer) and polyethylene (bags, protective foam sheet.)

Your system consists of materials which can be recycled and reused if disassembled by a specialized company. Please observe the local regulations regarding the disposal of packaging materials, exhausted batteries and old equipment.



**Be responsible
Respect copyrights**

The making of unauthorized copies of copy-protected material, including computer programs, files, broadcasts and sound recordings, may be an infringement of copyrights and constitute a criminal offence. This equipment should not be used for such purposes.

Made for

iPod iPhone

"Made for iPod" and "Made for iPhone" mean that an electronic accessory has been designed to connect specifically to iPod or iPhone respectively, and has been certified by the developer to meet Apple performance standards. Apple is not responsible for the operation of this device or its compliance with safety and regulatory standards. Please note that the use of this accessory with iPod or iPhone may affect wireless performance.

iPod and iPhone are trademarks of Apple Inc., registered in the U.S. and other countries.

This apparatus includes this label:



Note

- The type plate is located on the back of the device.



Specifications are subject to change without notice
2014 © WOOX Innovations Limited. All rights reserved.
Philips and the Philips' Shield Emblem are registered trademarks
of Koninklijke Philips N.V. and are used by WOOX Innovations
Limited under license from Koninklijke Philips N.V.

DCM1170_UM_12_V4.0

