



Thank you for choosing Philips.

### Need help fast?

Read your Quick Start Guide and/or User Manual first for quick tips that make using your Philips product more enjoyable.

If you have read your instructions and still need assistance, you may access our online help at

[www.philips.com/welcome](http://www.philips.com/welcome)  
or call

**1-888-PHILIPS (744-5477)**  
while with your product.  
(and Model / Serial number)



Philips vous remercie de  
votre confiance.

### Besoin d'une aide rapide?

Le Guide rapide de début et Manuel de l'utilisateur regorgent d'astuces destinées à simplifier l'utilisation de votre produit Philips.

Toutefois, si vous ne parvenez pas à résoudre votre problème, vous pouvez accéder à notre aide en ligne à l'adresse

[www.philips.com/welcome](http://www.philips.com/welcome)  
ou formez le

**1-800-661-6162 (Francophone)**  
**1-888-PHILIPS (744-5477) (English speaking)**  
Veillez à avoir votre produit à  
portée de main.  
(et model / serial nombre)



Gracias por escoger Philips

### Necesita ayuda inmediata?

Lea primero la Guía rápida del comienzo o el Manual del usuario, en donde encontrará consejos que le ayudarán a disfrutar plenamente de su producto Philips.

Si después de leerlo aún necesita ayuda, consulte nuestro servicio de asistencia en línea en

[www.philips.com/welcome](http://www.philips.com/welcome)  
o llame al teléfono

**1-888-PHILIPS (744-5477)**  
y tenga a mano el producto.  
(y número de model / serial)



---

EN User manual

---

ES Manual del usuario

---

FR Mode d'emploi

---

# PHILIPS

## Canada

### English:

This digital apparatus does not exceed the Class B limits for radio noise emissions from digital apparatus as set out in the Radio Interference Regulations of the Canadian Department of Communications. This Class B digital apparatus complies with Canadian ICES-003.

### Français:

Cet appareil numérique n'émet pas de bruits radioélectriques dépassant les limites applicables aux appareils numériques de Classe B prescrites dans le Règlement sur le Brouillage Radioélectrique édicté par le Ministère des Communications du Canada. Cet appareil numérique de la classe B est conforme à la norme NMB-003 du Canada.

**The set complies with the FCC-Rules, Part 15 and with 21 CFR 1040.10. Operation is subject to the following two conditions:**

1. This device may not cause harmful interference, and
2. This device must accept any interference received, including interference that may cause undesired operation.

**L'appareil est conforme à la réglementation FCC, section 15, et à la norme 21 CFR 1040.10. Son utilisation est soumise à deux conditions :**

1. L'appareil ne doit pas provoquer d'interférences nuisibles, et
2. L'appareil doit supporter les interférences reçues, y compris les interférences empêchant son fonctionnement correct.

# Contents

---

<b>1 Important</b>	6
Safety	6
Notice	8

---

<b>2 Your Docking Entertainment System</b>	10
Introduction	10
What's in the box	10
Overview of the main unit	11
Overview of the remote control	12

---

<b>3 Connect</b>	13
Connect speakers	13
Connect power	13

---

<b>4 Get started</b>	14
Prepare the remote control	14
Plug & Play	14
Turn on	15
Set clock	15

---

<b>5 Play</b>	16
Play discs	16
Play from USB	16

---

<b>6 Play options</b>	17
Skip to a track	17
Pause/resume play	17
Search within a track	17
Display play information	17
Repeat play	17
Random play	17
Program tracks	17

---

<b>7 Play from iPod/iPhone</b>	18
Compatible iPod/iPhone	18
Listen to an iPod through this unit	18
Charge the iPod/iPhone	18
Remove the iPod/iPhone	18

---

<b>8 Adjust volume level and sound effect</b>	19
Adjust volume level	19
Select a preset sound effect	19
Enhance bass	19
Mute sound	19

---

<b>9 Listen to radio</b>	20
Tune to a radio station	20
Program radio stations automatically	20
Program radio stations manually	20
Select a preset radio station	20

---

<b>10 Other features</b>	21
Set the alarm timer	21
Set the sleep timer	21
Listen to an audio player	21

---

<b>11 Product information</b>	22
Specifications	22
USB playability information	23
Supported MP3 disc formats	23

---

<b>12 Troubleshooting</b>	24
No sound or poor sound	24

---

Register online at [www.philips.com/welcome](http://www.philips.com/welcome) today to  
get the very most from your purchase.

Registering your model with PHILIPS makes you eligible for all of the valuable benefits listed below, so don't miss out.  
Register online at [www.philips.com/welcome](http://www.philips.com/welcome) to ensure:

### \*Product Safety Notification

By registering your product, you'll receive notification - directly from the manufacturer.

### \*Additional Benefits

Registering your product guarantees that you'll receive all of the privileges to which you're entitled, including special money-saving offers.

# PHILIPS

*Congratulations on your purchase,  
and welcome to the "family!"*

#### Dear PHILIPS product owner:

Thank you for your confidence in PHILIPS. You've selected one of the best-built, best-backed products available today. We'll do everything in our power to keep you happy with your purchase for many years to come.

As a member of the PHILIPS "family," you're entitled to protection by one of the most comprehensive warranties in the industry. What's more, your purchase guarantees you'll receive all the information and special offers for which you qualify, plus easy access to accessories from our convenient home shopping network.

Most importantly, you can count on our uncompromising commitment to your total satisfaction.


All of this is our way of saying welcome - and thanks for investing in a PHILIPS product.


**P.S. To get the most from your PHILIPS purchase, be sure to register online at:**

**[www.philips.com/welcome](http://www.philips.com/welcome)**

Know these  
**safety** symbols



 This "bolt of lightning" indicates uninsulated material within your unit may cause an electrical shock. For the safety of everyone in your household, please do not remove product covering.

 The "exclamation point" calls attention to features for which you should read the enclosed literature closely to prevent operating and maintenance problems.

**WARNING:** To reduce the risk of fire or electric shock, this apparatus should not be exposed to rain or moisture and objects filled with liquids, such as vases, should not be placed on this apparatus.

**CAUTION:** To prevent electric shock, match wide blade of plug to wide slot, fully insert.

**ATTENTION:** Pour éviter les choc électriques, introduire la lame la plus large de la fiche dans la borne correspondante de la prise et pousser jusqu'au fond.

#### For Customer Use

Enter below the Serial No. which is located on the rear of the cabinet. Retain this information for future reference.

Model No. \_\_\_\_\_

Serial No. \_\_\_\_\_

**PHILIPS**

Visit our World Wide Web Site at <http://www.philips.com/welcome>

# PHILIPS LIMITED WARRANTY ONE (1) YEAR

## WARRANTY COVERAGE:

PHILIPS warranty obligation is limited to the terms set forth below.

## WHO IS COVERED:

Philips warrants the product to the original purchaser or the person receiving the product as a gift against defects in materials and workmanship as based on the date of original purchase ("Warranty Period") from an Authorized Dealer. The original sales receipt showing the product name and the purchase date from an authorized retailer is considered such proof.

## WHAT IS COVERED:

The Philips warranty covers new products if a defect in material or workmanship occurs and a valid claim is received by Philips within the Warranty Period. At its option, Philips will either (1) repair the product at no charge, using new or refurbished replacement parts, or (2) exchange the product with a product that is new or which has been manufactured from new, or serviceable used parts and is at least functionally equivalent or most comparable to the original product in Philips current inventory, or (3) refund the original purchase price of the product. Philips warrants replacement products or parts provided under this warranty against defects in materials and workmanship from the date of the replacement or repair for ninety (90) days or for the remaining portion of the original product's warranty, whichever provides longer coverage for you. When a product or part is exchanged, any replacement item becomes your property and the replaced item becomes Philips' property. When a refund is given, your product becomes Philips' property.

**Note: Any product sold and identified as refurbished or renewed carries a ninety (90) day limited warranty.**

**Replacement product can only be sent if all warranty requirements are met. Failure to follow all requirements can result in delay.**

## WHAT IS NOT COVERED - EXCLUSIONS AND LIMITATIONS:

This Limited Warranty applies only to the new products manufactured by or for Philips that can be identified by the trademark, trade name, or logo affixed to it. This Limited Warranty does not apply to any non-Philips hardware product or any software, even if packaged or sold with the product. Non-Philips manufacturers, suppliers, or publishers may provide a separate warranty for their own products packaged with the bundled product.

Philips is not liable for any damage to or loss of any programs, data, or other information stored on any media contained within the product, or any non-Philips product or part not covered by this warranty. Recovery or reinstallation of programs, data or other information is not covered under this Limited Warranty.

This warranty does not apply (a) to damage caused by accident, abuse, misuse, neglect, misapplication, or non-Philips product, (b) to damage caused by service performed by anyone other than Philips or Philips Authorized Service Location, (c) to a product or a part that has been modified without the written permission of

Philips, or (d) if any Philips serial number has been removed or defaced, or (e) product, accessories or consumables sold "AS IS" without warranty of any kind by including refurbished Philips product sold "AS IS" by some retailers.

## This Limited Warranty does not cover:

- Shipping charges to return defective product to Philips.
- Labor charges for installation or setup of the product, adjustment of customer controls on the product, and installation or repair of antenna/signal source systems outside of the product.
- Product repair and/or part replacement because of improper installation or maintenance, connections to improper voltage supply, power line surge, lightning damage, retained images or screen markings resulting from viewing fixed stationary content for extended periods, product cosmetic appearance items due to normal wear and tear, unauthorized repair or other cause not within the control of Philips.
- Damage or claims for products not being available for use, or for lost data or lost software.
- Damage from mishandled shipments or transit accidents when returning product to Philips.
- A product that requires modification or adaptation to enable it to operate in any country other than the country for which it was designed, manufactured, approved and/or authorized, or repair of products damaged by these modifications.
- A product used for commercial or institutional purposes (including but not limited to rental purposes).
- Product lost in shipment and no signature verification receipt can be provided.
- Failure to operate per Owner's Manual.

## TO OBTAIN ASSISTANCE IN THE U.S.A., PUERTO RICO, OR U.S. VIRGIN ISLANDS...

Contact Philips Customer Care Center at:  
1-888-PHILIPS (1-888-744-5477)

## TO OBTAIN ASSISTANCE IN CANADA...

1-800-661-6162 (French Speaking)  
1-888-PHILIPS (1-888-744-5477) - (English or Spanish Speaking)

REPAIR OR REPLACEMENT AS PROVIDED UNDER THIS WARRANTY IS THE EXCLUSIVE REMEDY FOR THE CONSUMER. PHILIPS SHALL NOT BE LIABLE FOR ANY INCIDENTAL OR CONSEQUENTIAL DAMAGES FOR BREACH OF ANY EXPRESS OR IMPLIED WARRANTY ON THIS PRODUCT. EXCEPT TO THE EXTENT PROHIBITED BY APPLICABLE LAW, ANY IMPLIED WARRANTY OF MERCHANTABILITY OR FITNESS FOR A PARTICULAR PURPOSE ON THIS PRODUCT IS LIMITED IN DURATION TO THE DURATION OF THIS WARRANTY.

Some states do not allow the exclusions or limitation of incidental or consequential damages, or allow limitations on how long an implied warranty lasts, so the above limitations or exclusions may not apply to you.

*This warranty gives you specific legal rights. You may have other rights which vary from state/province to state/province.*

Philips, P.O. Box 10313 Stamford, CT 06904

3140 035 50201

# 1 Important

## Safety

Know these safety symbols



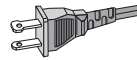
This 'bolt of lightning' indicates uninsulated material within your unit may cause an electrical shock. For the safety of everyone in your household, please do not remove product covering.

The 'exclamation point' calls attention to features for which you should read the enclosed literature closely to prevent operating and maintenance problems. **WARNING:** To reduce the risk of fire or electric shock, this apparatus should not be exposed to rain or moisture and objects filled with liquids, such as vases, should not be placed on this apparatus.

**CAUTION:** To prevent electric shock, match wide blade of plug to wide slot, fully insert.

## Important Safety Instructions

- ① Read these instructions.
- ② Keep these instructions.
- ③ Heed all warnings.
- ④ Follow all instructions.
- ⑤ Do not use this apparatus near water.
- ⑥ Clean only with dry cloth.
- ⑦ Do not block any ventilation openings. Install in accordance with the manufacturer's instructions.
- ⑧ Do not install near any heat sources such as radiators, heat registers, stoves, or other apparatus (including amplifiers) that produce heat.
- ⑨ For countries with a polarized mains, do not defeat the safety purpose of the polarized or grounding-type plug. A polarized plug has two blades with one wider than the other. A grounding type plug has two blades and a third grounding prong. The wide blade or the third prong is provided for your safety. If the provided plug does not fit into your outlet, consult an electrician for replacement of the obsolete outlet.  
Caution: To prevent electric shock, match the wide blade of the plug to the wide slot, fully insert.
- ⑩ Protect the power cord from being walked on or pinched, particularly at plugs, convenience receptacles, and the point where they exit from the apparatus.
- ⑪ Only use attachments/accessories specified by the manufacturer.
- ⑫ Use only with the cart, stand, tripod, bracket, or table specified by the manufacturer or sold with the apparatus. When a cart is used, use caution when moving the cart/apparatus combination to avoid injury from tip-over.



- ⑬ Unplug this apparatus during lightning storms or when unused for long periods of time.
- ⑭ Refer all servicing to qualified service personnel. Servicing is required when the apparatus has been damaged in any way, such as power-supply cord or plug is damaged, liquid has been spilled or objects have fallen into the apparatus, the apparatus has been exposed to rain or moisture, does not operate normally, or has been dropped.
- ⑮ Battery usage **CAUTION** – To prevent battery leakage which may result in bodily injury, property damage, or damage to the apparatus:
- Install all batteries correctly, + and - as marked on the apparatus.
  - Do not mix batteries (old and new or carbon and alkaline, etc.).
  - Remove batteries when the unit is not used for a long time.
  - The batteries shall not be exposed to excessive heat such as sunshine, fire or the like.
- ⑯ Apparatus shall not be exposed to dripping or splashing.
- ⑰ Do not place any sources of danger on the apparatus (e.g. liquid filled objects, lighted candles).
- ⑱ This product may contain lead and mercury. Disposal of these materials may be regulated due to environmental considerations. For disposal or recycling information, please contact your local authorities or the Electronic Industries Alliance: [www.eiae.org](http://www.eiae.org).



#### Caution

- Use of controls or adjustments or performance of procedures other than herein may result in hazardous radiation exposure or other unsafe operation.



#### Warning

- Never remove the casing of this unit.
- Never lubricate any part of this unit.
- Place this unit on a flat, hard and stable surface.
- Never place this unit on other electrical equipment.
- Only use this unit indoors. Keep this unit away from water, moisture and liquid-filled objects.
- Keep this unit away from direct sunlight, naked flames or heat.
- Never look into the laser beam inside the unit.

## Hearing safety

### Listen at a moderate volume.

- Using headphones at a high volume can impair your hearing. This product can produce sounds in decibel ranges that may cause hearing loss for a normal person, even for exposure less than a minute. The higher decibel ranges are offered for those that may have already experienced some hearing loss.
- Sound can be deceiving. Over time your hearing 'comfort level' adapts to higher volumes of sound. So after prolonged listening, what sounds 'normal' can actually be loud and harmful to your hearing. To guard against this, set your volume to a safe level before your hearing adapts and leave it there.
- Set your volume control at a low setting.
- Slowly increase the sound until you can hear it comfortably and clearly, without distortion.
- Prolonged exposure to sound, even at normally 'safe' levels, can also cause hearing loss.
- Be sure to use your equipment reasonably and take appropriate breaks.
- Listen at reasonable volumes for reasonable periods of time.
- Be careful not to adjust the volume as your hearing adapts.
- Do not turn up the volume so high that you can't hear what's around you.

- You should use caution or temporarily discontinue use in potentially hazardous situations. Do not use headphones while operating a motorized vehicle, cycling, skateboarding, etc.; it may create a traffic hazard and is illegal in many areas.

---

## Notice

Any changes or modifications made to this device that are not expressly approved by Philips Consumer Lifestyle may void the user's authority to operate the equipment.

### Notice for the USA

**This equipment has been tested and found to comply with the limits for a Class B digital device, pursuant to part 15 of the FCC Rules.** These limits are designed to provide reasonable protection against harmful interference in a residential installation. This equipment generates, uses, and can radiate radio frequency energy and, if not installed and used in accordance with the instruction manual, may cause harmful interference to radio communications.

However, there is no guarantee that interference will not occur in a particular installation. If this equipment does cause harmful interference to radio or television reception, which can be determined by turning the equipment off and on, the user is encouraged to try to correct the interference by one or more of the following measures:

- Relocate the receiving antenna.
- Increase the separation between equipment and receiver.
- Connect the equipment into an outlet on a circuit different from that to which the receiver is connected.
- Consult the dealer or an experienced radio/TV technician for help.

---

## Disposal of your old product and batteries

Your product is designed and manufactured with high quality materials and components, which can be recycled and reused. Never dispose of your product with other household waste. Please inform yourself about the local rules on the separate collection of electrical and electronic products and batteries. The correct disposal of these products helps prevent potentially negative consequences on the environment and human health.

Please inform yourself about the local rules on separate collection of batteries. The correct disposal of batteries helps prevent potentially negative consequences on the environment and human health.

Please visit [www.recycle.philips.com](http://www.recycle.philips.com) for additional information on a recycling center in your area.



### Caution

- Removal of the built-in battery invalidates the warranty and may destroy the product.

### Environmental information

All unnecessary packaging has been omitted. We have tried to make the packaging easy to separate into three materials: cardboard (box), polystyrene foam (buffer) and polyethylene (bags, protective foam sheet.)

Your system consists of materials which can be recycled and reused if disassembled by a specialized company. Please observe the local regulations regarding the disposal of packaging materials, exhausted batteries and old equipment.



**Be responsible**  
**Respect copyrights**

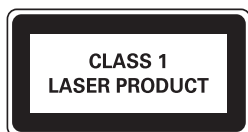


The making of unauthorized copies of copy-protected material, including computer programs, files, broadcasts and sound recordings, may be an infringement of copyrights and constitute a criminal offence. This equipment should not be used for such purposes.



Windows Media and the Windows logo are trademarks, or registered trademarks of Microsoft Corporation in the United States and/or other countries.

**This apparatus includes these labels:**



Class II equipment symbol



This symbol indicates that the apparatus has a double insulation system.

#### Note

- The type plate is located at the rear of the apparatus.

## 2 Your Docking Entertainment System

Congratulations on your purchase, and welcome to Philips! To fully benefit from the support that Philips offers, register your product at [www.philips.com/welcome](http://www.philips.com/welcome).

---

### Introduction

**With this unit, you can:**

- enjoy audio from audio CDs, iPod players, iPhone and other external devices
- listen to FM radio stations

**You can enrich sound output with these sound effects:**

- Digital Sound Control (DSC)
- Dynamic Bass Boost (DBB)

**The unit supports the following media format:**



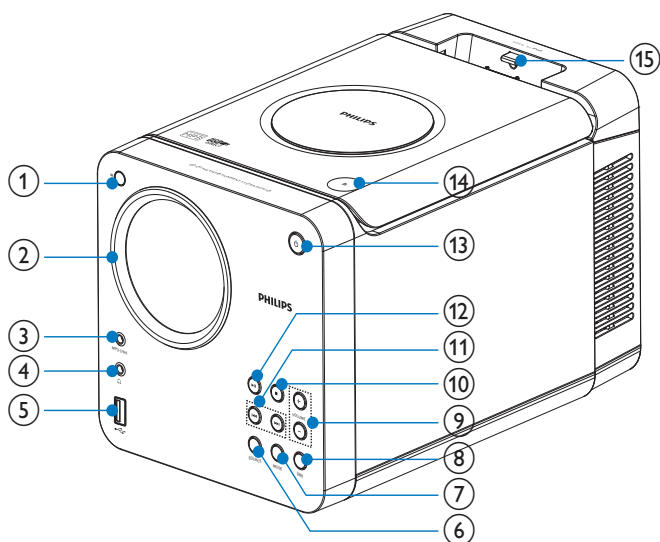
---

### What's in the box

Check and identify the contents of your package:

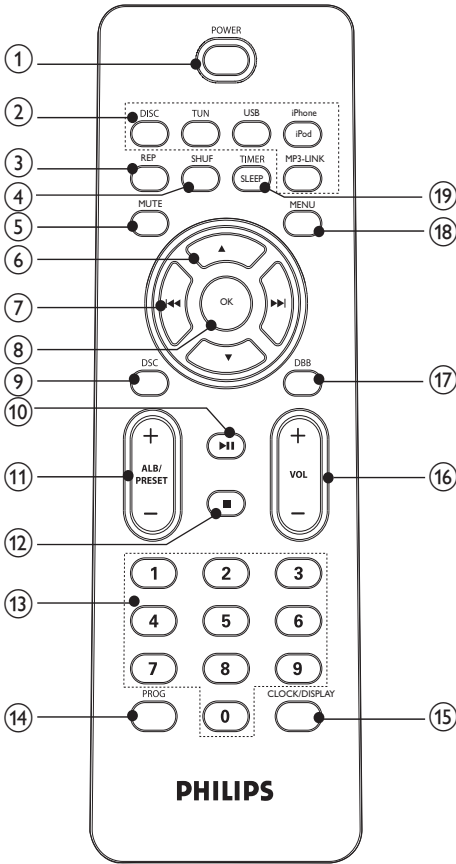
- Main unit
- Loudspeaker boxes x 2
- MP3 link cable x 1
- Remote control
- User manual
- Quick start guide

## Overview of the main unit



- ① **IR**
- Remote control sensor.
- ② **Display panel**
- Show current status.
- ③ **MP3 LINK**
- Jack for an external audio device.
- ④ **Headphone jack**
- Headphone jack.
- ⑤ **USB socket**
- USB socket.
- ⑥ **SOURCE**
- Select a source.
- ⑦ **MODE**
- Select repeat play modes.
  - Select shuffle play modes.
- ⑧ **DBB**
- Turn on or off dynamic bass enhancement.
- ⑨ **VOLUME+/-**
- Adjust volume.
- ⑩ **Stop button**
- Stop play or erase a program.
- ⑪ **Skip buttons**
- Skip to the previous/next track.
  - Fast reverse or fast forward within a track or disc.
  - Tune to a radio station.
  - Adjust time.
- ⑫ **Play/Pause button**
- Start or pause play.
- ⑬ **Power button**
- Turn on the apparatus; switch to standby mode.
- ⑭ **Disc compartment button**
- Open/close the disc compartment.
- ⑮ **iPod/iPhone dock**

# Overview of the remote control



- ① **POWER**
  - Turn on the apparatus; switch to standby mode.
- ② **Source selection keys**
  - Select a source.
- ③ **REP**
  - Select a repeat play mode: repeat one track or all tracks.
- ④ **SHUF**
  - Play tracks randomly.
- ⑤ **MUTE**
  - Mute volume.

- ⑥ **▲/▼**
  - Navigate through the iPod/iPhone menu.
- ⑦ **◀◀▶▶**
  - Fast reverse or fast forward within a track or disc.
  - Skip to the previous/next track.
  - Tune to a radio station.
  - Adjust time.
- ⑧ **OK**
  - Confirm a selection.
- ⑨ **DSC**
  - Select a preset sound setting: POP, JAZZ, ROCK or CLASSIC.
- ⑩ **▶▶**
  - Start or pause play.
- ⑪ **ALB/PRESET +/-**
  - Skip to the previous/next album.
  - Select a preset radio station.
- ⑫ **■**
  - Stop play or erase a program.
- ⑬ **Numeric keypad**
  - Select a track from a disc directly.
- ⑭ **PROG**
  - Program tracks.
  - Program radio stations.
  - Select 12 hour or 24 hour format.
- ⑮ **CLOCK/DISPLAY**
  - Set the clock.
  - View the clock.
  - During play, select display information.
- ⑯ **VOL +/-**
  - Adjust volume.
- ⑰ **DDB**
  - Turns on or off dynamic bass enhancement.
- ⑱ **MENU**
  - Access the iPod menu.
- ⑲ **SLEEP/TIMER**
  - Set the sleep timer.
  - Set the alarm timer.

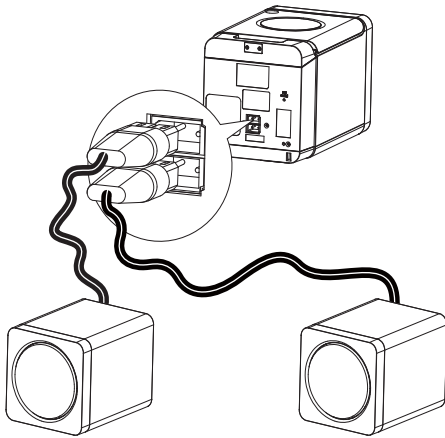
# 3 Connect

## Connect speakers

### ! Caution

- For optimal sound, use the supplied speakers only.
- Connect only speakers with impedance that is the same or higher than the supplied speakers. Refer to the Specifications section of this manual.

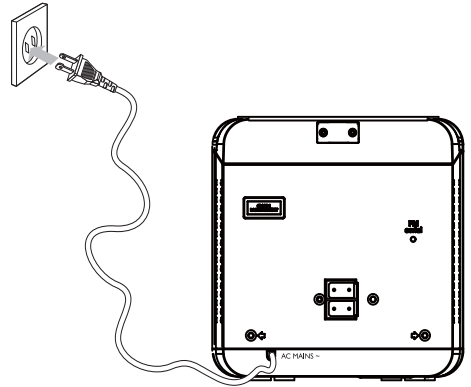
- 1 Fully insert the plugs from the speakers into the speaker sockets on the main unit.



### ≡ Note

- The AC voltage, frequency and current consumption information is located at rear of the main unit.

- 1 Connect the power plug to the wall outlet.



## Connect power

### ! Caution

- Risk of product damage! Ensure that the power supply voltage corresponds to the voltage printed on the back or the underside of the unit.
- Before connecting the AC power cord, ensure you have completed all other connections.

# 4 Get started

## ! Caution

- Use of controls or adjustments or performance of procedures other than herein may result in hazardous radiation exposure or other unsafe operation.

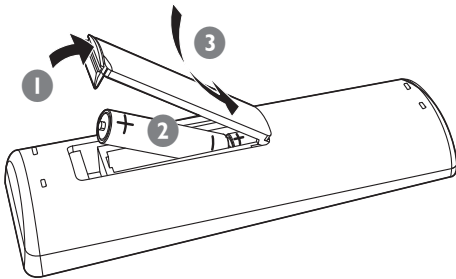
Always follow the instructions in this chapter in sequence.

If you contact Philips, you will be asked for the model and serial number of this apparatus. The model number and serial number are on the rear of the apparatus. Write the numbers here:  
Model No. \_\_\_\_\_  
Serial No. \_\_\_\_\_

## Prepare the remote control

## ! Caution

- Risk of explosion! Keep batteries away from heat, sunshine or fire. Never discard batteries in fire.



- 1 Open the battery compartment.
- 2 Insert 2 AAA batteries (not supplied) with correct polarity (+/-) as indicated.
- 3 Close the battery compartment.

## ≡ Note

- If you are not going to use the remote control for a long time, remove the batteries.
- Do not use old and new or different types of batteries in combination.
- Batteries contain chemical substances, so they should be disposed of properly.
- Perchlorate Material - special handling may apply. See [www.dtsc.ca.gov/hazardouswaste/perchlorate](http://www.dtsc.ca.gov/hazardouswaste/perchlorate).

## Plug & Play

When you connect the unit to the power supply for the first time, or no radio station is stored in this unit, Plug and Play mode is activated to store all available radio stations automatically.

- 1 Connect the unit to the power supply.  
↳ [AUTO INSTALL - PRESS PLAY, STOP CANCEL] (auto install - press the PLAY button; to cancel, press ■) displays.
- 2 Press ►|| on the main unit to start installation.  
↳ [AUTO] (auto) displays.  
↳ [PROG] (program) flashes.  
↳ The unit automatically store radio stations with sufficient signal strength.
- 3 When all the available radio stations are stored, the first preset radio station is broadcast automatically.

## ✦ Tip

- If no key is pressed during Plug and Play mode, the system goes to Standby mode after timeout of 5 times. To go to installation again, press and hold ►|| for 3 seconds under Standby mode.

### Toexit Plug and Play installation mode

- 1 press source keys or ⏻ on the remote control.

- ↳ The system switches to the designated source mode or standby mode.

---

## Turn on

- 1 Press **POWER**.
  - ↳ The unit switches to the last selected source.

---

## Switch to standby

- 1 Press **POWER** to switch the unit to standby mode.
  - ↳ The backlight on the display panel is dimmed.
  - ↳ The clock (if set) appears on the display panel.

---

## Set clock

- 1 Press and hold **CLOCK/DISPLAY** to activate the clock setting mode.
  - ↳ The 12 hour or 24 hour format is displayed.
- 2 Press **PROG** repeatedly to select 12 hour or 24 hour format.
- 3 Press **CLOCK/DISPLAY** to confirm.
  - ↳ The hour digits are displayed and begin to blink.
- 4 Press **◀▶▶▶** to set the hour.
- 5 Press **CLOCK/DISPLAY** to confirm.
  - ↳ The minute digits are displayed and begin to blink.
- 6 Press **◀▶▶▶** to set the minute.
- 7 Press **CLOCK/DISPLAY** to confirm.

### Tip

- To view the clock during play, press **CLOCK/DISPLAY** repeatedly until the clock is displayed.

# 5 Play

---

## Play discs

- 1 Press **DISC** on the remote control to select the disc source.
- 2 Press **▲** on the top panel of the unit.  
↳ The disc door opens.
- 3 Place a disc onto the tray and press **▲** again.
  - Ensure that the label side faces upwards.
  - Play starts automatically.
  - If play does not start, press **◀◀▶▶** to select a track and then press **▶||**.


---

## Play from USB



### Note

- Ensure that the USB device contains playable audio contents for supported formats.

- 1 Insert the USB plug of a USB device into the  socket on the main unit.
- 2 Press **USB** to select the USB source.  
↳ The total number of tracks displays.
- 3 Press **ALB/PRESET+/-** to select a folder.
- 4 Press **◀◀▶▶** to select a file.
- 5 Press **▶||** to start play.



## 6 Play options

### Skip to a track

For CD:

- 1 Press **⏮** to select another track.
  - To select a track directly, you can also press a key on the numerical keypad.

For MP3/WMA discs and USB:

- 1 Press **ALB/PRESET+/-** to select an album or folder.
- 2 Press **⏮** to select select a track or file.

### Pause/resume play

- 1 During play, press **⏸** to pause/resume play.

### Search within a track

- 1 During play, press and hold **⏮**.
- 2 Release to resume normal play.

### Display play information

- 1 During play, press **CLOCK/DISPLAY** repeatedly to select different play information.

### Repeat play

- 1 During play, press **REP** repeatedly to select:
  - Repeat
    - ↳ **🔄** displays on the display panel. The current track is played repeatedly.
  - Repeat album

↳ **🔄**ALB displays on the display panel. The current album is played repeatedly. Only available for MP3 or WMA.

- Repeat all
  - ↳ **🔄** displays on the display panel. All tracks are played repeatedly.

- 2 To return to normal play, press **REP** repeatedly until the repeat mode is no longer displayed on the display panel.

### Random play

- 1 Press **SHUF**.
  - ↳ **🎲** displays on the display panel: all tracks are played randomly.
- 2 To return to normal play, press **SHUF** again.



Tip

- The repeat and shuffle functions cannot be activated at the same time.

### Program tracks

You can program a maximum of 40 tracks.

- 1 In DISC/USB mode, at the stop position, press **PROG** to activate the program mode.
  - ↳ [PROG] (program) blinks on the display panel.
- 2 Press **⏮** to select a track.
  - For MP3/WMA tracks, press **ALB/PRESET+/-** to select an album.
- 3 Press **PROG** to confirm.
- 4 Repeat step 2 to select and store all tracks to program.
- 5 Press **⏸** to play the programmed tracks.
  - ↳ During play, [PROG] (program) is displayed.
  - To erase the program, in the stop position, press **■**.

# 7 Play from iPod/iPhone

You can enjoy audio from iPod/iPhone through this unit.

---

## Compatible iPod/iPhone

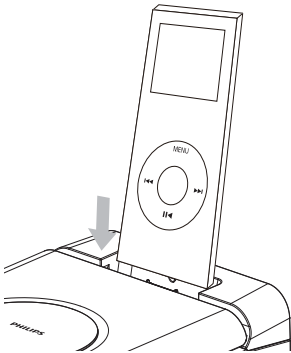
Apple iPod and iPhone models with a 30-pin dock connector:

- iPod classic, iPod touch, iPod nano, iPod 5th generation (video), iPod with color display, iPod mini.
- iPhone, iPhone 3G, iPhone 3GS.

---

## Listen to an iPod through this unit

- 1 Place the iPod/iPhone in the dock.



- ↳ The main unit switches to iPod/iPhone mode automatically and start playback.
- To pause/resume play, press ►||.
  - To skip to a track, press ◀◀▶▶.
  - To search during play: press and hold ◀◀▶▶, then release to resume normal play.

- To navigate the menu: press **MENU**, then press ▲/▼ to select, and press **OK** to confirm.

---

## Charge the iPod/iPhone

When the unit is connected to power, the docked iPod/iPhone begins to charge.



- For certain iPod models, it may take up to a minute before the charging indication appears.

---

## Remove the iPod/iPhone

- 1 Pull the iPod/iPhone out of the dock.

## 8 Adjust volume level and sound effect

---

### Adjust volume level

- 1 During play, press **VOL +/-** to increase/decrease the volume level.

---

### Select a preset sound effect

- 1 During play, press **DSC** repeatedly to select:
  - **[POP]** (pop)
  - **[JAZZ]** (jazz)
  - **[ROCK]** (rock)
  - **[CLASSIC]** (classic)

---

### Enhance bass

- 1 During play, press **DBB** to turn on or off dynamic bass enhancement.  
↳ If DBB is activated, DBB is displayed.

---

### Mute sound

- 1 During play, press **MUTE** to mute/unmute sound.

# 9 Listen to radio

## Tune to a radio station

- 1 Press **TUN** to select FM.
- 2 Press and hold **◀▶** for more than 2 seconds.
  - ↳ [SEARCH] (search) is displayed.
  - ↳ The radio tunes to a station with strong reception automatically.
- 3 Repeat step 2 to tune to more stations.
  - To tune to a weak station, press **◀▶** repeatedly until you find optimal reception.

## Program radio stations automatically

### Note

- You can program a maximum of 20 preset radio stations.

- 1 In the tuner mode, press and hold **PROG** for 2 seconds to activate automatic program mode.
  - ↳ [AUTO] (auto) is displayed.
  - ↳ All available stations are programmed in the order of waveband reception strength.
  - ↳ The first programmed radio station is broadcast automatically.

## Program radio stations manually

### Note

- You can program a maximum of 20 preset radio stations.

- 1 Tune to a radio station.
- 2 Press **PROG** to activate program mode.
  - ↳ [PROG] (program) blinks on the display.
- 3 Press **ALB/PRESET +/-** to allocate a number (1 to 20) to this radio station, then press **PROG** to confirm.
  - ↳ The preset number and the frequency of the preset station are displayed.
- 4 Repeat the above steps to program other stations.

### Note

- To overwrite a programmed station, store another station in its place.

## Select a preset radio station

- 1 Press **ALB/PRESET +/-** to select a preset number.

### Tip

- Make sure the FM antenna is fixed to the main unit.
- Position the antenna as far as possible from TV, VCR or other radiation source.
- For optimal reception, fully extend and adjust the position of the antenna.

# 10 Other features

## Set the alarm timer


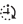
This unit can be used as an alarm clock. The DISC, TUNER, USB or iPod/iPhone source can be activated to play at a preset time.

- 1 Ensure that you have set the clock correctly.
- 2 Press and hold **SLEEP/TIMER**.
- 3 Press **DISC**, **TUN**, **USB** or **iPod/iPhone** to select a source.
- 4 Press **SLEEP/TIMER** to confirm.  
↳ The hour digits are displayed and begin to blink.
- 5 Press **◀▶▶▶** to set the hour.
- 6 Press **SLEEP/TIMER** to confirm.  
↳ The minute digits are displayed and begin to blink.
- 7 Press **◀▶▶▶** to set the minute.
- 8 Press **SLEEP/TIMER** to confirm.  
↳ The timer is set and activated.

### Note

- If the DISC/USB/iPod/iPhone source is selected but no disc inserted or no USB/iPod/iPhone is connected, the system will switch to the tuner source automatically.

## Activate and deactivate alarm timer

- 1 In the standby mode, press **SLEEP/TIMER** repeatedly to activate or deactivate timer.  
↳ If timer is activated, the display shows   
↳ If timer is deactivated,  disappears on the display.

### Tip

- Alarm timer is not available in MP3 LINK mode.
- If the DISC/USB/iPod/iPhone source is selected but no disc inserted or no USB/iPod/iPhone is connected, the system will switch to the tuner source automatically.

## Set the sleep timer

This unit can switch to standby automatically after a set period of time.

- 1 When the unit is turned on, press **SLEEP/TIMER** repeatedly to select a set period of time (in minutes).  
↳ When sleep timer is activated, the display shows **z.z**.
- 2 Press **SLEEP/TIMER** repeatedly until **[OFF]** is displayed.  
↳ When sleep timer is deactivated, **z.z** disappears on the display.

## Listen to an audio player

You can listen to an MP3 player through this unit.

- 1 Press **MP3 LINK** to select MP3 LINK source.
- 2 Connect the supplied MP3 link cable to:
  - **MP3 LINK** jack (3.5 mm) on the unit
  - the headphone jack on an external device
- 3 Start to play the device (see the device user manual).

# 11 Product information



## Note

- Product information is subject to change without prior notice.

## Specifications

### Amplifier

Rated Output Power	2X5W RMS
Frequency Response	60 - 16kHz, $\pm 3$ dB
Signal to Noise Ratio	>65dB
Aux Input	0.5 V RMS 20kohm

### Disc

Laser Type	Semiconductor
Disc Diameter	12cm/8cm
Support Disc	CD-DA, CD-R, CD-RW, MP3-CD, WMA-CD
Audio DAC	24Bits / 44.1kHz
Total Harmonic Distortion	<1%
Frequency Response	60Hz -16kHz (44.1kHz)
S/N Ratio	>65dBA

### Tuner

Tuning Range	FM: 87.5 - 108 MHz
Tuning Grid	100 KHz
Sensitivity	
- Mono, 26 dB S/N Ratio	< 22 dB
Search Selectivity	< 36 dBu
Total Harmonic Distortion	< 3%
Signal to Noise Ratio	> 45 dBA

### Speakers

Speaker Impedance	4ohm
Speaker Driver	3.5"
Sensitivity	>82dB/m/W

### General information

AC power	120 V, 60 Hz
Operation Power Consumption	25 W
Standby Power Consumption	< 4 W
Dimensions	
- Main Unit (W x H x D)	150 x 152 x 250 mm
- Speaker Box (W x H x D)	150 x 152 x 197 mm
Weight	
- With Packing	5.07 kg
- Main Unit	2.02 kg
- Speaker Box	2 x 0.895 kg

---

## USB playability information

### Compatible USB devices:

- USB flash memory (USB 2.0 or USB1.1)
- USB flash players (USB 2.0 or USB1.1)
- memory cards (requires an additional card reader to work with this apparatus)

### Supported formats:

- USB or memory file format FAT12, FAT16, FAT32 (sector size: 512 bytes)
- MP3 bit rate (data rate): 32-320 Kbps and variable bit rate
- WMA v9 or earlier
- Directory nesting up to a maximum of 8 levels
- Number of albums/ folders: maximum 99
- Number of tracks/titles: maximum 999
- ID3 tag v2.0 or later
- File name in Unicode UTF8 (maximum length: 128 bytes)

### Unsupported formats:

- Empty albums: an empty album is an album that does not contain MP3/WMA files, and is not be shown in the display.
- Unsupported file formats are skipped. For example, Word documents (.doc) or MP3 files with extension .dlf are ignored and not played.
- AAC, WAV, PCM audio files
- DRM protected WMA files (.wav, .m4a, .m4p, .mp4, .aac)
- WMA files in Lossless format

---

## Supported MP3 disc formats

- ISO9660, Joliet
- Maximum title number: 512 (depending on file name length)
- Maximum album number: 255
- Supported sampling frequencies: 32 kHz, 44.1kHz, 48 kHz
- Supported Bit-rates: 32~256 (kbps), variable bit rates

# 12 Troubleshooting



## Warning

- Never remove the casing of this apparatus.

To keep the warranty valid, never try to repair the system yourself.

If you encounter problems when using this apparatus, check the following points before requesting service. If the problem remains unsolved, go to the Philips web site ([www.philips.com/welcome](http://www.philips.com/welcome)). When you contact Philips, ensure that the apparatus is nearby and the model number and serial number are available.

### No power

- Ensure that the AC power plug of the unit is connected properly.
- Ensure that there is power at the AC outlet.
- As a power-saving feature, the unit switches off automatically 15 minutes after track play reaches the end and no control is operated.

---

## No sound or poor sound

### No sound or poor sound

- Adjust the volume.
- Disconnect the headphones.
- Check that the speakers are connected correctly.
- Check if the stripped speaker wires are clamped.

### Left and right sound outputs reversed

- Check the speaker connections and location.

### No response from the apparatus

- Disconnect and reconnect the AC power plug, then turn on the system again.

- As a power-saving feature, the system switches off automatically 15 minutes after track play reaches the end and no control is operated.

### Remote control does not work

- Before you press any function button, first select the correct source with the remote control instead of the main unit.
- Reduce the distance between the remote control and the unit.
- Insert the battery with its polarities (+/- signs) aligned as indicated.
- Replace the battery.
- Aim the remote control directly at the sensor on the front of the unit.

### No disc detected

- Insert a disc.
- Check if the disc is inserted upside down.
- Wait until the moisture condensation at the lens has cleared.
- Replace or clean the disc.
- Use a finalized CD or correct format disc.

### Cannot display some files in USB device

- The number of folders or files in the USB device has exceeded a certain limit. This phenomenon is not a malfunction.
- The formats of these files are not supported.

### USB device not supported

- The USB device is incompatible with the unit. Try another one.

### Poor radio reception

- Increase the distance between the unit and your TV or VCR.
- Fully extend the FM antenna.

### Timer does not work

- Set the clock correctly.
- Switch on the timer.

### Clock/timer setting erased

- Power has been interrupted or the power cord has been disconnected.
- Reset the clock/timer.



Philips Consumer Lifestyle  
A division of Philips Electronics North America Corporation  
P.O. Box 10313  
Stamford, CT 06904  
Phone: 1-888-PHILIPS (744-5477)

Meet Philips at the Internet  
<http://www.philips.com/welcome>

