

Register your product and get support at
www.philips.com/welcome

DCM105



EN	User manual	3
DA	Brugervejledning	21
DE	Benutzerhandbuch	39
ES	Manual del usuario	59

FR	Mode d'emploi	77
IT	Manuale utente	95
NL	Gebruiksaanwijzing	113
SV	Användarhandbok	131

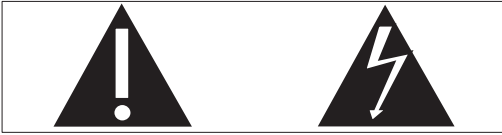
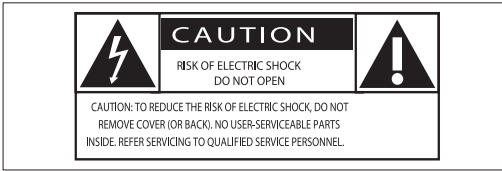
PHILIPS

Contents

1 Important	4	8 Adjust volume level and sound effect	16
Safety	4	Adjust volume level	16
Notice	6	Select a preset sound effect	16
		Enhance bass	16
		Mute sound	16
2 Your Docking Entertainment System	8		
Introduction	8	9 Listen to radio	16
What's in the box	8	Tune to a radio station	16
Overview of the main unit	9	Program radio stations automatically	16
Overview of the remote control	10	Program radio stations manually	17
		Select a preset radio station	17
3 Connect	11		
Connect speakers	11	10 Other features	17
Connect power	11	Set the sleep timer	17
		Set the alarm timer	17
4 Get started	12	Listen to an audio player	18
Prepare the remote control	12		
Auto install radio stations	12	11 Product information	18
Turn on	12	Specifications	18
Set clock	13		
		12 Troubleshooting	19
5 Play a disc	13		
6 Play options	14		
Skip to a track	14		
Pause/resume play	14		
Search within a track	14		
Display play information	14		
Repeat play	14		
Random play	14		
Program tracks	14		
7 Play iPod	15		
Compatible iPod	15		
Listen to an iPod through this unit	15		
Charge the iPod	15		
Remove the iPod	15		

1 Important

Safety



This 'bolt of lightning' indicates uninsulated material within your unit may cause an electrical shock. For the safety of everyone in your household, please do not remove product covering.

The 'exclamation point' calls attention to features for which you should read the enclosed literature closely to prevent operating and maintenance problems. **WARNING:** To reduce the risk of fire or electric shock, this apparatus should not be exposed to rain or moisture and objects filled with liquids, such as vases, should not be placed on this apparatus.

CAUTION: To prevent electric shock, match wide blade of plug to wide slot, fully insert.

Important Safety Instructions

- ① Read these instructions.
- ② Keep these instructions.
- ③ Heed all warnings.
- ④ Follow all instructions.
- ⑤ Do not use this apparatus near water.
- ⑥ Clean only with dry cloth.

- ⑦ Do not block any ventilation openings. Install in accordance with the manufacturer's instructions.
- ⑧ Do not install near any heat sources such as radiators, heat registers, stoves, or other apparatus (including amplifiers) that produce heat.
- ⑨ Protect the power cord from being walked on or pinched, particularly at plugs, convenience receptacles, and the point where they exit from the apparatus.
- ⑩ Only use attachments/accessories specified by the manufacturer.
- ⑪ Use only with the cart, stand, tripod, bracket, or table specified by the manufacturer or sold with the apparatus. When a cart is used, use caution when moving the cart/apparatus combination to avoid injury from tip-over.



- ⑫ Unplug this apparatus during lightning storms or when unused for long periods of time.
- ⑬ Refer all servicing to qualified service personnel. Servicing is required when the apparatus has been damaged in any way, such as power-supply cord or plug is damaged, liquid has been spilled or objects have fallen into the apparatus, the apparatus has been exposed to rain or moisture, does not operate normally, or has been dropped.

- ⑭ **Battery usage CAUTION – To prevent battery leakage which may result in bodily injury, property damage, or damage to the unit:**
- Install all batteries correctly, + and - as marked on the unit.
 - Do not mix batteries (old and new or carbon and alkaline, etc.).
 - Remove batteries when the unit is not used for a long time.
- ⑮ **Apparatus shall not be exposed to dripping or splashing.**
- ⑯ **Do not place any sources of danger on the apparatus (e.g. liquid filled objects, lighted candles).**
- ⑰ **This product may contain lead and mercury. Disposal of these materials may be regulated due to environmental considerations. For disposal or recycling information, please contact your local authorities or the Electronic Industries Alliance: www.eiae.org.**

Safety-Important notes for users in the U.K.

Mains plug

This apparatus is fitted with an approved 13 Amp plug. To change a fuse in this type of plug proceed as follows:

- ① **Remove fuse cover and fuse.**
- ② **Fix new fuse which should be a BS1362 5 Amp, A.S.T.A. or BSI approved type.**
- ③ **Refit the fuse cover.**

If the fitted plug is not suitable for your socket outlets, it should be cut off and an appropriate plug fitted in its place.

If the mains plug contains a fuse, this should have a value of 5 Amp. If a plug without a fuse is used, the fuse at the distribution board should not be greater than 5 Amp.

Note: The severed plug must be disposed off to avoid a possible shock hazard should it be inserted into a 13 Amp socket elsewhere.

How to connect a plug

The wires in the mains lead are coloured with the following code: blue = neutral (N), brown = live (L).

As these colours may not correspond with the colour markings identifying the terminals in your plug, proceed as follows:

- Connect the blue wire to the terminal marked N or coloured black.
- Connect the brown wire to the terminal marked L or coloured red.
- Do not connect either wire to the earth terminal in the plug, marked E (or \perp) or coloured green (or green and yellow).

Before replacing the plug cover, make certain that the cord grip is clamped over the sheath of the lead - not simply over the two wires.

Copyright in the U.K.

Recording and playback of material may require consent. see Copyright Act 1956 and The performer's Protection Acts 1958 to 1972.



Warning

- Where the MAINS plug or an appliance coupler is used as the disconnect device, the disconnect device shall remain readily operable.



Warning

- Never remove the casing of this unit.
- Never lubricate any part of this unit.
- Place this unit on a flat, hard and stable surface.
- Never place this unit on other electrical equipment.
- Only use this unit indoors. Keep this unit away from water, moisture and liquid-filled objects.
- Keep this unit away from direct sunlight, naked flames or heat.
- Never look into the laser beam inside the unit.

Hearing safety

Listen at a moderate volume.

- Using headphones at a high volume can impair your hearing. This product can produce sounds in decibel ranges that may cause hearing loss for a normal person, even for exposure less than a minute. The higher decibel ranges are offered for those that may have already experienced some hearing loss.
- Sound can be deceiving. Over time your hearing 'comfort level' adapts to higher volumes of sound. So after prolonged listening, what sounds 'normal' can actually be loud and harmful to your hearing. To guard against this, set your volume to a safe level before your hearing adapts and leave it there.
- Set your volume control at a low setting.
- Slowly increase the sound until you can hear it comfortably and clearly, without distortion.
- Prolonged exposure to sound, even at normally 'safe' levels, can also cause hearing loss.
- Be sure to use your equipment reasonably and take appropriate breaks.
- Listen at reasonable volumes for reasonable periods of time.
- Be careful not to adjust the volume as your hearing adapts.
- Do not turn up the volume so high that you can't hear what's around you.
- You should use caution or temporarily discontinue use in potentially hazardous situations. Do not use headphones while operating a motorized vehicle, cycling, skateboarding, etc.; it may create a traffic hazard and is illegal in many areas.

Notice



This product complies with the radio interference requirements of the European Community.

Any changes or modifications made to this device that are not expressly approved by Philips Consumer Lifestyle may void the user's authority to operate the equipment.



Your product is designed and manufactured with high quality materials and components, which can be recycled and reused.



When this crossed-out wheeled bin symbol is attached to a product it means that the product is covered by the European Directive 2002/96/EC.

Please inform yourself about the local separate collection system for electrical and electronic products.

Please act according to your local rules and do not dispose of your old products with your normal household waste. Correct disposal of your old product helps to prevent potential negative consequences for the environment and human health.



Your product contains batteries covered by the European Directive 2006/66/EC, which cannot be disposed with normal household waste. Please inform yourself about the local rules on separate collection of batteries because correct disposal helps to prevent negative consequences for the environmental and human health.

Environmental information

All unnecessary packaging has been omitted. We have tried to make the packaging easy to separate into three materials: cardboard (box), polystyrene foam (buffer) and polyethylene (bags, protective foam sheet.) Your system consists of materials which can be recycled and reused if disassembled by a specialized company. Please observe the local regulations regarding the disposal of packaging materials, exhausted batteries and old equipment.



Be responsible
Respect copyrights

The making of unauthorized copies of copy-protected material, including computer programs, files, broadcasts and sound recordings, may be an infringement of copyrights and constitute a criminal offence. This equipment should not be used for such purposes.

This apparatus includes this label:



ENERGY STAR and the ENERGY STAR mark are registered U.S. marks.



Note

- The type plate is located at the rear of the apparatus.

Norge

Typeskilt finnes på apparatens underside. Observer: Nettbryteren er sekundært innkopleet. Den innebygde nettdelen er derfor ikke frakopleet nettet så lenge apparatet er tilsluttet nettkontakten.

For å redusere faren for brann eller elektrisk støt, skal apparatet ikke utsettes for regn eller fuktighet.

2 Your Docking Entertainment System

Congratulations on your purchase, and welcome to Philips! To fully benefit from the support that Philips offers, register your product at www.philips.com/welcome.

Introduction

With this unit, you can:

- enjoy audio from audio CDs, iPod players, and other external devices
- listen to FM radio stations

You can enrich sound output with these sound effects:

- Digital Sound Control (DSC)
- Dynamic Bass Boost (DBB)

The unit supports the following media format:

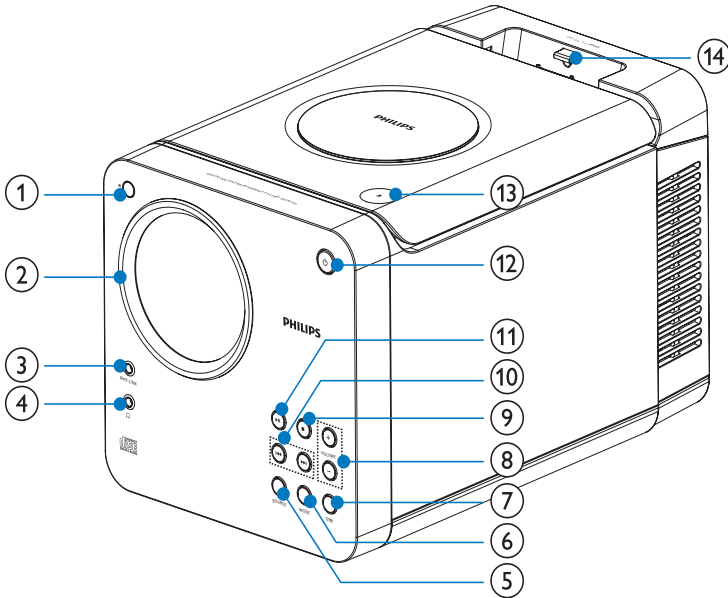


What's in the box

Check and identify the contents of your package:

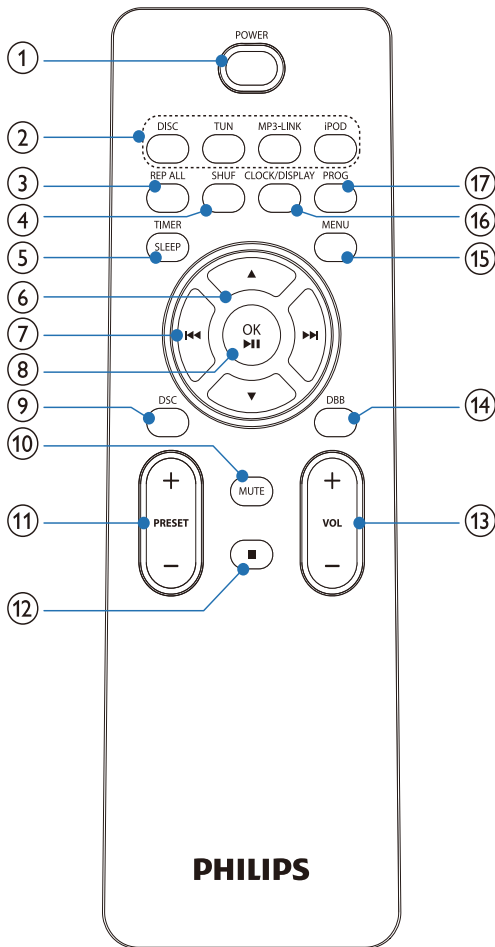
- Main unit
- Loudspeaker boxes x 2
- Power cord
- MP3 link cable x 1
- Remote control
- Quick start guide
- User manual

Overview of the main unit



- ① **IR**
 - Remote control sensor.
- ② **Display panel**
 - Show current status.
- ③ **MP3 LINK**
 - Jack for an external audio device.
- ④ **Headphone jack**
 - Headphone jack.
- ⑤ **SOURCE**
 - Select a source.
- ⑥ **MODE**
 - Select repeat play modes.
 - Select shuffle play modes.
- ⑦ **DBB**
 - Turn on or off dynamic bass enhancement.
- ⑧ **VOLUME +/-**
 - Adjust volume.
- ⑨ **Stop**
 - Stop play or erase a program.
- ⑩ **Skip**
 - Skip to the previous/next track.
 - Fast reverse or fast forward within a track or disc.
 - Tune to a radio station.
 - Adjust time.
- ⑪ **Play/Pause**
 - Start or pause play.
- ⑫ **Power**
 - Turn on the unit or switch to the standby mode.
- ⑬ **Disc Compartment**
 - Open/close the disc compartment.
- ⑭ **Dock for iPod**

Overview of the remote control

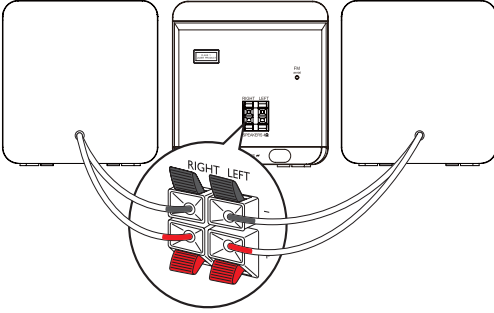


- ① **POWER**
 - Turn on the unit or switch to the standby mode.
- ② **Source selection keys**
 - Select a source.
- ③ **REP ALL**
 - Play all tracks repeatedly.
- ④ **SHUF**
 - Play tracks randomly.

- ⑤ **SLEEP/TIMER**
 - Set the sleep timer.
 - Set the alarm timer.
- ⑥ **▲▼**
 - Skip to the previous/next album.
 - Navigate through the iPod menu.
- ⑦ **◀▶▶▶**
 - Fast reverse or fast forward within a track or disc.
 - Skip to the previous/next track.
 - Tune to a radio station.
 - Adjust time.
 - Navigate through the iPod menu.
- ⑧ **OK/▶||**
 - Start or pause play.
 - Confirm a selection.
- ⑨ **DSC**
 - Select a preset sound setting: POP, JAZZ, ROCK or CLASSIC.
- ⑩ **MUTE**
 - Mute volume.
- ⑪ **PRESET +/-**
 - Select a preset radio station.
- ⑫ **■**
 - Stop play or erase a program.
- ⑬ **VOL +/-**
 - Adjust volume.
- ⑭ **DBB**
 - Turns on or off dynamic bass enhancement.
- ⑮ **MENU**
 - Access the iPod menu.
- ⑯ **CLOCK/DISPLAY**
 - Set the clock.
 - View the clock.
 - During play, select display information.
- ⑰ **PROG**
 - Program tracks.
 - Program radio stations.
 - Select 12 hour or 24 hour format.

3 Connect

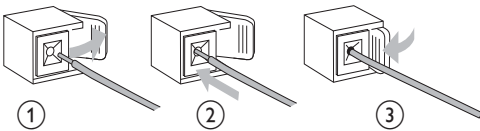
Connect speakers



Note

- Ensure that the colors of the speaker wires and terminals are matched.

- 1 Hold down the socket flap.
- 2 Insert the stripped part of the wire completely.
 - Insert the right speaker wires to "RIGHT", left speaker wires to "LEFT".
 - Insert the red wires to "+", black wires to "-".
- 3 Release the socket flap.



Connect power

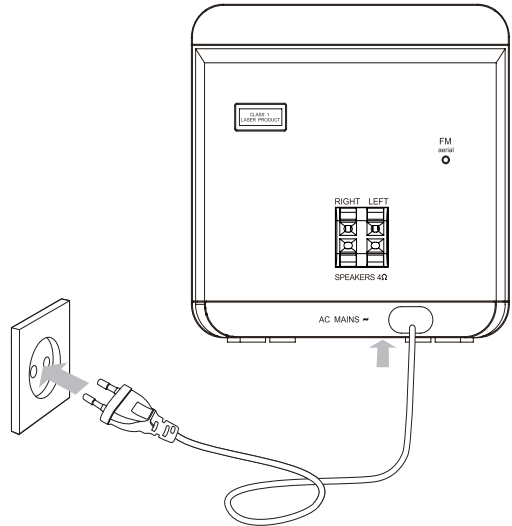
! Caution

- Risk of product damage! Ensure that the power supply voltage corresponds to the voltage printed on the back or the underside of the unit.
- Before connecting the AC power cord, ensure you have completed all other connections.

≡ Note

- The type plate is located on the rear of the main unit.

- 1 Connect the AC power cord to the wall socket.



4 Get started



Caution

- Use of controls or adjustments or performance of procedures other than herein may result in hazardous radiation exposure or other unsafe operation.

Always follow the instructions in this chapter in sequence.

If you contact Philips, you will be asked for the model and serial number of this apparatus. The model number and serial number are on the rear of the apparatus. Write the numbers here:

Model No. _____

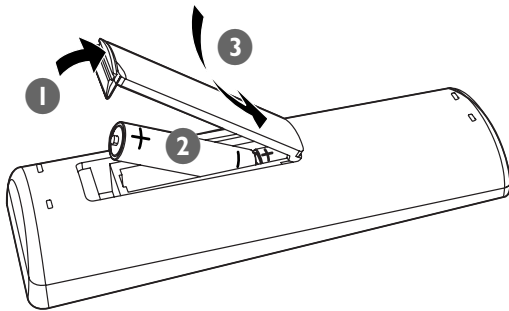
Serial No. _____

Prepare the remote control



Caution

- Risk of explosion! Keep batteries away from heat, sunshine or fire. Never discard batteries in fire.



- 1 Open the battery compartment.
- 2 Insert 2 AAA batteries (not supplied) with correct polarity (+/-) as indicated.
- 3 Close the battery compartment.



Note

- If you are not going to use the remote control for a long time, remove the batteries.
- Do not use old and new or different types of batteries in combination.
- Batteries contain chemical substances, so they should be disposed of properly.

Auto install radio stations

When you connect the unit to the power supply for the first time, or no radio station is stored in this unit, Plug and Play is activated to store all available radio stations automatically.

- 1 Connect the unit to the power supply.
 - ↳ [AUTO INSTALL - PLEASE PRESS PLAY, STOP CANCEL] (auto install - press ►||; to cancel, press ■) is displayed.
- 2 Press ►|| on the main unit to start installation.
 - ↳ [AUTO] (auto) is displayed.
 - ↳ The unit automatically stores radio stations with sufficient signal strength.
 - ↳ When all the available radio stations are stored, the first preset radio station is broadcast automatically.

Turn on

- 1 Press **POWER**.
 - ↳ The unit switches to the last selected source.

Switch to standby

- 1 Press **POWER** to switch the unit to standby mode.
 - ↳ The backlight on the display panel is reduced.
 - ↳ The clock (if set) appears on the display panel.



Tip

- If the system remains in the standby mode for more than 15 minutes, it switches to the Eco Power mode automatically.

Set clock

- 1 In the standby mode, press and hold **CLOCK/DISPLAY** to activate the clock setting mode.
↳ The 12 hour or 24 hour format is displayed.
- 2 Press **PROG** repeatedly to select 12 hour or 24 hour format.
- 3 Press **CLOCK/DISPLAY** to confirm.
↳ The hour digits are displayed and begin to blink.
- 4 Press **◀◀▶▶** to set the hour.
- 5 Press **CLOCK/DISPLAY** to confirm.
↳ The minute digits are displayed and begin to blink.
- 6 Press **◀◀▶▶** to set the minute.
- 7 Press **CLOCK/DISPLAY** to confirm.



Tip

- To view the clock during play, press **CLOCK/DISPLAY** repeatedly until the clock is displayed.

5 Play a disc

- 1 Press **DISC** to select the disc source.
- 2 Press **▲** on the top panel of the unit.
↳ The disc door opens.
- 3 Place a disc onto the tray and press **▲** again.
↳ Ensure that the label side faces upwards.
- 4 Play starts automatically.
 - If play does not start, press **◀◀▶▶** to select a track and then press **OK▶▶**.

6 Play options

Skip to a track

- 1 Press **⏮️▶️** to select another track.

Pause/resume play

- 1 During play, press **OK/▶️⏸️** to pause/resume play.

Search within a track

- 1 During play, press and hold **⏮️▶️**.
- 2 Release to resume normal play.

Display play information

- 1 During play, press **CLOCK/DISPLAY** repeatedly to select different play information.

Repeat play

- 1 During play, press **REP ALL** repeatedly to select:
 - **[REP]** (repeat): the current track is played repeatedly.
 - **[REP ALL]** (repeat all): all tracks are played repeatedly.
- 2 To return to normal play, press **REP ALL** repeatedly until the repeat mode is no longer displayed.

Random play

- 1 Press **SHUF**.
 - ↳ **[SHUF]** (shuffle) is displayed: all tracks are played randomly.
- 2 To return to normal play, press **SHUF** again.



Tip

- The repeat and shuffle functions cannot be activated at the same time.

Program tracks

You can program a maximum of 20 tracks.

- 1 In CD mode, at the stop position, press **PROG** to activate the program mode.
 - ↳ **[PROG]** (program) blinks on the display panel.
- 2 Press **⏮️▶️** to select a track number, then press **PROG** to confirm.
- 3 Repeat steps 2 to select and store all tracks to program.
- 4 Press **OK/▶️⏸️** to play the programmed tracks.
 - ↳ During play, **[PROG]** (program) is displayed.
 - To erase the program, in the stop position, press **■**.

7 Play iPod

You can enjoy audio from iPod through this unit.

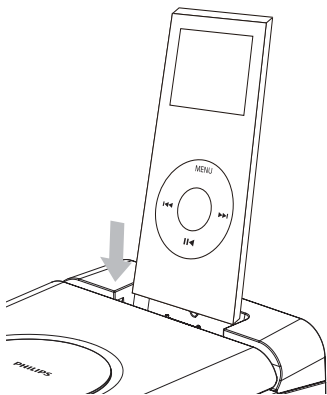
Compatible iPod

Apple iPod models with a 30-pin dock connector:

- iPod classic
- iPod touch
- iPod nano 1G/2G/3G
- iPod 5th generation

Listen to an iPod through this unit

- 1 Place the iPod in the dock.



- 2 Press **iPod** to select the iPod source.
 - ↳ The connected iPod plays automatically.
 - To pause/resume play, press **OK/▶||**.
 - To skip to a track, press **◀◀▶▶**.
 - To search during play: press and hold **◀◀▶▶**, then release to resume normal play.
 - To navigate the menu: press **MENU**, then press **▲/▼** to select, and press **OK/▶||** to confirm.

Note

- In iPod menu mode, if no key is pressed for more than 10 seconds, **OK/▶||** will return to its play/pause function.

Charge the iPod

The docked iPod begins to charge as soon as the unit is connected to AC power.

Remove the iPod

- 1 Pull the iPod out of the dock.

8 Adjust volume level and sound effect

Adjust volume level

- 1 During play, press **VOL +/-** to increase/decrease the volume level.

Select a preset sound effect

- 1 During play, press **DSC** repeatedly to select:
 - **[POP]** (pop)
 - **[JAZZ]** (jazz)
 - **[ROCK]** (rock)
 - **[CLASSIC]** (classic)

Enhance bass

- 1 During play, press **DBB** to turn on or off dynamic bass enhancement.
 - ↳ If DBB is activated, DBB is displayed.

Mute sound

- 1 During play, press **MUTE** to mute/unmute sound.

9 Listen to radio

Tune to a radio station

- 1 Press **TUN** to select FM.
- 2 Press and hold **◀▶▶▶** for more than 2 seconds.
 - ↳ **[SEARCH]** (search) is displayed.
 - ↳ The radio tunes to a station with strong reception automatically.
- 3 Repeat step 2 to tune to more stations.
 - To tune to a weak station, press **◀▶**/**▶▶** repeatedly until you find optimal reception.

Program radio stations automatically



Note

- You can program a maximum of 40 preset radio stations.

- 1 In the tuner mode, press and hold **PROG** for 2 seconds to activate automatic program mode.
 - ↳ **[AUTO]** (auto) is displayed.
 - ↳ All available stations are programmed in the order of waveband reception strength.
 - ↳ The first programmed radio station is broadcast automatically.

Program radio stations manually

Note

- You can program a maximum of 40 preset radio stations.

- 1 Tune to a radio station.
- 2 Press **PROG** to activate program mode.
↳ [PROG] (program) blinks on the display.
- 3 Press **PRESET +/-** to allocate a number (1 to 20) to this radio station, then press **PROG** to confirm.
↳ The preset number and the frequency of the preset station are displayed.
- 4 Repeat the above steps to program other stations.

Note

- To overwrite a programmed station, store another station in its place.

Select a preset radio station

- 1 Press **PRESET +/-** to select a preset number.

Tip

- FM antenna is fixed to the main unit.
- Position the antenna as far as possible from TV, VCR or other radiation source.
- For optimal reception, fully extend and adjust the position of the antenna.

10 Other features

Set the sleep timer

This unit can switch to standby automatically after a set period of time.

- 1 When the unit is turned on, press **SLEEP/TIMER** repeatedly to select a set period of time (in minutes).
↳ When sleep timer is activated, the display shows **zZ**.
- 2 Press **SLEEP/TIMER** repeatedly until **[OFF]** is displayed.
↳ When sleep timer is deactivated, **zZ** disappears on the display.

Set the alarm timer



This unit can be used as an alarm clock. The DISC, TUNER or iPod source is activated to play at a preset time.

- 1 Ensure that you have set the clock correctly.
- 2 In the standby mode, press and hold **SLEEP/TIMER**.
- 3 Press **DISC**, **TUN** or **iPod** to select a source.
- 4 Press **SLEEP/TIMER** to confirm.
↳ The hour digits are displayed and begin to blink.
- 5 Press **◀▶** to set the hour.
- 6 Press **SLEEP/TIMER** to confirm.
↳ The minute digits are displayed and begin to blink.
- 7 Press **◀▶** to set the minute.
- 8 Press **SLEEP/TIMER** to confirm.
↳ The timer is set and activated.

Note

- If the iPod source is selected but no iPod is connected, the system will switch to the tuner source automatically.

Activate and deactivate alarm timer

- 1 In the standby mode, press **SLEEP/TIMER** repeatedly to activate or deactivate timer.
 - ↳ If timer is activated, the display shows .
 - ↳ If timer is deactivated,  disappears on the display.

Note

- Alarm timer is not available in MP3 LINK mode.
- If the DISC source is selected and the track cannot be played, tuner is activated automatically.

Listen to an audio player

You can listen to an MP3 player through this unit.

- 1 Press **MP3 LINK** to select MP3 LINK source.
- 2 Connect the supplied MP3 link cable to:
 - **MP3 LINK** jack (3.5 mm) on the unit
 - the headphone jack on an external device
- 3 Start to play the device (see the device user manual).

11 Product information

Note

- Product information is subject to change without prior notice.

Specifications

Amplifier

Rated Output Power	2X5W RMS
Frequency Response	60 - 16kHz, ± 3 dB
Signal to Noise Ratio	>65dB
Aux Input	0.5 V RMS 20kohm

Disc

Laser Type	Semiconductor
Disc Diameter	12cm/8cm
Support Disc	CD-DA, CD-R, CD-RW
Audio DAC	24Bits / 44.1kHz
Total Harmonic Distortion	<1%
Frequency Response	60Hz -16kHz (44.1kHz)
S/N Ratio	>65dBA

Tuner

Tuning Range	FM: 87.5 - 108 MHz
Tuning Grid	50 KHz
Sensitivity	
- Mono, 26 dB S/N Ratio	< 22 dBf
Search Selectivity	< 36 dBu
Total Harmonic Distortion	< 3%
Signal to Noise Ratio	> 45 dBu

Speakers

Speaker Impedance	4ohm
Speaker Driver	3.5"
Sensitivity	>82dB/m/W

General information

AC power	230 - 240V, 50Hz
Operation Power Consumption	20 W
Eco Standby Power Consumption	< 1 W
Dimensions	
- Main Unit (W x H x D)	150 x 152 x 250 mm
- Speaker Box (W x H x D)	150 x 152 x 197 mm
Weight	
- With Packing	5.07 kg
- Main Unit	2.02 kg
- Speaker Box	2 x 0.895 kg

12 Troubleshooting



Warning

- Never remove the casing of this apparatus.

To keep the warranty valid, never try to repair the system yourself.

If you encounter problems when using this apparatus, check the following points before requesting service. If the problem remains unsolved, go to the Philips web site (www.philips.com/welcome). When you contact Philips, ensure that the apparatus is nearby and the model number and serial number are available.

No power

- Ensure that the AC power plug of the unit is connected properly.
- Ensure that there is power at the AC outlet.
- As a power-saving feature, the unit switches off automatically 15 minutes after track play reaches the end and no control is operated.

No sound or poor sound

- Adjust the volume.
- Disconnect the headphones.
- Check that the speakers are connected correctly.
- Check if the stripped speaker wires are clamped.

Left and right sound outputs reversed

- Check the speaker connections and location.

No response from the apparatus

- Disconnect and reconnect the AC power plug, then turn on the system again.
- As a power-saving feature, the system switches off automatically 15 minutes after track play reaches the end and no control is operated.

Remote control does not work

- Before you press any function button, first select the correct source with the remote control instead of the main unit.
- Reduce the distance between the remote control and the unit.
- Insert the battery with its polarities (+/- signs) aligned as indicated.
- Replace the battery.
- Aim the remote control directly at the sensor on the front of the unit.

No disc detected

- Insert a disc.
- Check if the disc is inserted upside down.
- Wait until the moisture condensation at the lens has cleared.
- Replace or clean the disc.
- Use a finalized CD or correct format disc.

Poor radio reception

- Increase the distance between the unit and your TV or VCR.
- Fully extend the FM antenna.

Timer does not work

- Set the clock correctly.
- Switch on the timer.

Clock/timer setting erased

- Power has been interrupted or the power cord has been disconnected.
- Reset the clock/timer.

