

Register your product and get support at
www.philips.com/welcome

DCD3020



EN	User manual	3
ZH-TW	使用手冊	33

PHILIPS

Contents

1 Important	4
Safety	4
Notice	6
2 Your DVD Micro Theater	8
Introduction	8
What's in the box	8
Overview of the main unit	9
3 Connect	12
Place the unit	12
Connect speakers	12
Connect FM antenna	12
Connect audio cables	13
Connect video cables	13
Connect an external audio device (optional)	14
Connect power	14
4 Get started	15
Prepare the remote control	15
Turn on	15
Set clock	16
Adjust brightness of display panel	16
Find the correct viewing channel	16
Select the correct TV system	16
Change system menu language	17
Turn on Progressive Scan	17
5 Play	18
Play a disc	18
Play from USB or recored discs	19
Play a slideshow with background music	19
Play control	19
Play options	20
Picture view options	20
6 Play iPod/iPhone/iPad	21
Compatible iPod/iPhone/iPad	21
Load the iPod/iPhone/iPad	21
Charge the iPod/iPhone/iPad	21
Listen to the iPod/iPhone/iPad	22
Remove the iPod/iPhone/iPad	22
7 Listen to radio	23
Tune to a radio station	23
Program radio stations automatically	23
Program radio stations manually	23
Tune to a preset radio station	23
8 Adjust sound	24
Adjust volume level	24
Select a sound effect	24
Mute sound	24
9 Adjust settings	24
General setup	24
Audio setup	24
Video setup	25
Preferences	25
10 Other features	27
Activate demonstration mode	27
Set alarm timer	27
Set the sleep timer	27
Listen to an audio device	28
Listen through headphone	28
11 Product information	29
Specifications	29
Supported disc formats	30
USB playability information	30
12 Troubleshooting	31

1 Important

Safety



This 'bolt of lightning' indicates uninsulated material within your unit may cause an electrical shock. For the safety of everyone in your household, please do not remove product covering.

The 'exclamation point' calls attention to features for which you should read the enclosed literature closely to prevent operating and maintenance problems. **WARNING:** To reduce the risk of fire or electric shock, this apparatus should not be exposed to rain or moisture and objects filled with liquids, such as vases, should not be placed on this apparatus.

CAUTION: To prevent electric shock, match wide blade of plug to wide slot, fully insert.

Important Safety Instructions

- ① Read these instructions.
- ② Keep these instructions.
- ③ Heed all warnings.
- ④ Follow all instructions.
- ⑤ Do not use this apparatus near water.
- ⑥ Clean only with dry cloth.
- ⑦ Do not block any ventilation openings. Install in accordance with the manufacturer's instructions.
- ⑧ Do not install near any heat sources such as radiators, heat registers, stoves, or other apparatus (including amplifiers) that produce heat.
- ⑨ Protect the power cord from being walked on or pinched, particularly at plugs, convenience receptacles, and the point where they exit from the apparatus.
- ⑩ Only use attachments/accessories specified by the manufacturer.
- ⑪ Use only with the cart, stand, tripod, bracket, or table specified by the manufacturer or sold with the apparatus. When a cart is used, use caution when moving the cart/apparatus combination to avoid injury from tip-over.



- ⑫ Unplug this apparatus during lightning storms or when unused for long periods of time.
- ⑬ Refer all servicing to qualified service personnel. Servicing is required when the apparatus has been damaged in any way, such as power-supply cord or plug is damaged, liquid has been spilled or objects have fallen into the apparatus, the apparatus has been exposed to rain or moisture, does not operate normally, or has been dropped.
- ⑭ Battery usage **CAUTION** – To prevent battery leakage which may result in bodily injury, property damage, or damage to the unit:

- Install all batteries correctly, + and - as marked on the unit.
- Do not mix batteries (old and new or carbon and alkaline, etc.).
- Remove batteries when the unit is not used for a long time.
- The batteries shall not be exposed to excessive heat such as sunshine, fire or the like.

- ⑮ **Apparatus shall not be exposed to dripping or splashing.**
- ⑯ **Do not place any sources of danger on the apparatus (e.g. liquid filled objects, lighted candles).**
- ⑰ **Where the MAINS plug or an appliance coupler is used as the disconnect device, the disconnect device shall remain readily operable.**

Risk of overheating! Never install this apparatus in a confined space. Always leave a space of at least four inches around this apparatus for ventilation. Ensure curtains or other objects never cover the ventilation slots on this apparatus.

 **Caution**

- Use of controls or adjustments or performance of procedures other than herein may result in hazardous radiation exposure or other unsafe operation.

 **Warning**

- Never remove the casing of this unit.
- Never lubricate any part of this unit.
- Place this unit on a flat, hard and stable surface.
- Never place this unit on other electrical equipment.
- Only use this unit indoors. Keep this unit away from water, moisture and liquid-filled objects.
- Keep this unit away from direct sunlight, naked flames or heat.
- Never look into the laser beam inside the unit.

Hearing safety

Listen at a moderate volume.

- Using headphones at a high volume can impair your hearing. This product can produce sounds in decibel ranges that may cause hearing loss for a normal person, even for exposure less than a minute. The higher decibel ranges are offered for those that may have already experienced some hearing loss.
- Sound can be deceiving. Over time your hearing 'comfort level' adapts to higher volumes of sound. So after prolonged listening, what sounds 'normal' can actually be loud and harmful to your hearing. To guard against this, set your volume to a safe level before your hearing adapts and leave it there.

To establish a safe volume level:

- Set your volume control at a low setting.
- Slowly increase the sound until you can hear it comfortably and clearly, without distortion.

Listen for reasonable periods of time:

- Prolonged exposure to sound, even at normally 'safe' levels, can also cause hearing loss.
- Be sure to use your equipment reasonably and take appropriate breaks.

Be sure to observe the following guidelines when using your headphones.

- Listen at reasonable volumes for reasonable periods of time.
- Be careful not to adjust the volume as your hearing adapts.
- Do not turn up the volume so high that you can't hear what's around you.
- You should use caution or temporarily discontinue use in potentially hazardous situations. Do not use headphones while operating a motorized vehicle, cycling, skateboarding, etc.; it may create a traffic hazard and is illegal in many areas.

Notice

Any changes or modifications made to this device that are not expressly approved by Philips Consumer Lifestyle may void the user's authority to operate the equipment.

Disposal of your old product and batteries

Your product is designed and manufactured with high quality materials and components, which can be recycled and reused. Never dispose of your product with other household waste. Please inform yourself about the local rules on the separate collection of electrical and electronic products and batteries. The correct disposal of these products helps prevent potentially negative consequences on the environment and human health.

Your product contains batteries, which cannot be disposed of with normal household waste. Please inform yourself about the local rules on separate collection of batteries. The correct disposal of batteries helps prevent potentially negative consequences on the environment and human health.

Please visit www.recycle.philips.com for additional information on a recycling center in your area.

Environmental information

All unnecessary packaging has been omitted. We have tried to make the packaging easy to separate into three materials: cardboard (box), polystyrene foam (buffer) and polyethylene (bags, protective foam sheet.)

Your system consists of materials which can be recycled and reused if disassembled by a specialized company. Please observe the local regulations regarding the disposal of packaging materials, exhausted batteries and old equipment.

Copyright notice



This item incorporates copy protection technology that is protected by U.S. patents and other intellectual property rights of Rovi Corporation. Reverse engineering and disassembly are prohibited.

Trademark notice



Manufactured under license from Dolby Laboratories. Dolby and the double-D symbol are trademarks of Dolby Laboratories.



'DVD Video' is a trademark of DVD Format/ Logo Licensing Corporation.



ABOUT DIVX VIDEO: DivX® is a digital video format created by DivX, LLC, a subsidiary of Rovi Corporation. This is an official DivX Certified® device that plays DivX video. Visit divx.com for more information and software tools to convert your files into DivX videos.

ABOUT DIVX VIDEO-ON-DEMAND: This DivX Certified® device must be registered in order to play purchased DivX Video-on-Demand (VOD) movies. To obtain your registration code, locate the DivX VOD section in your device setup menu. Go to vod.divx.com for more information on how to complete your registration.

DivX Ultra® Certified to play DivX® video with advanced features and premium content.

DivX®, DivX Certified® and associated logos are trademarks of Rovi Corporation or its subsidiaries and are used under license.



"Made for iPod," "Made for iPhone," and "Made for iPad" mean that an electronic accessory has been designed to connect specifically to iPod, iPhone, or iPad, respectively, and has been certified by the developer to meet Apple performance standards. Apple is not responsible for the operation of this device or its compliance with safety and regulatory standards. Please note that the use of this accessory with iPod, iPhone, or iPad may affect wireless performance.

iPod and iPhone are trademarks of Apple Inc., registered in the U.S. and other countries. iPad is a trademark of Apple Inc.

This apparatus includes this label:



Type plate

 Note

- The type plate is located on the back of the apparatus.

2 Your DVD Micro Theater

Congratulations on your purchase, and welcome to Philips! To fully benefit from the support that Philips offers, register your product at www.philips.com/welcome.

Introduction

With this apparatus, you can:

- Watch video from DVD/VCD/SVCD, iPod/iPhone/iPad, or USB storage devices
- Enjoy audio from discs, iPod/iPhone/iPad, or USB storage devices
- View pictures from discs or USB storage devices
- Listen to FM radio

You can enrich sound output with these sound effects:

- Dynamic Bass Boost (DBB)
- Digital Sound Control (DSC)

The apparatus supports these media/disc formats:



You can play DVD discs marked with the following region code:

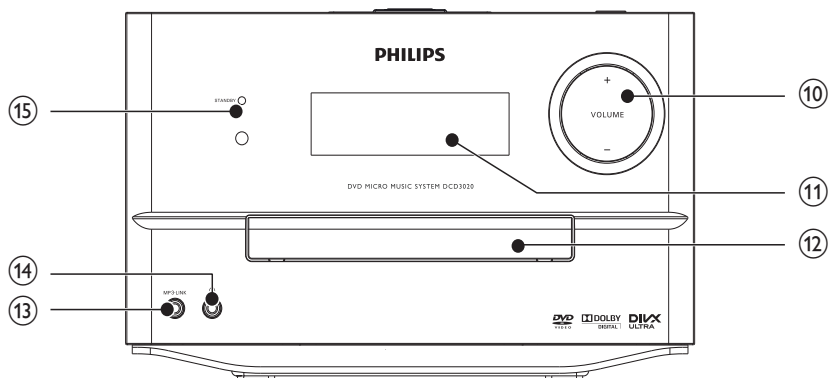
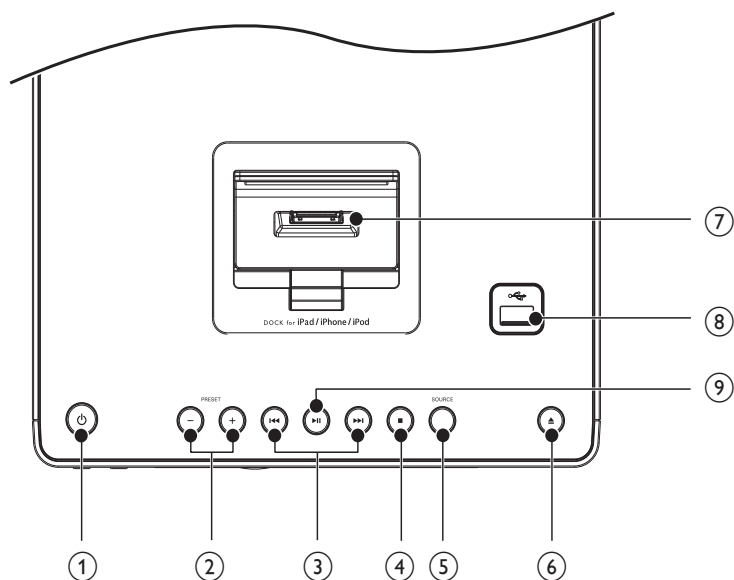
DVD region code	Countries
	Taiwan

What's in the box

Check and identify the contents of your package:

- Main unit
- 2 speakers
- Remote control
- Composite video cable (yellow)
- Power cord
- MP3 link cable
- FM antenna
- 8 rubber cushions
- User manual
- Quick start guide

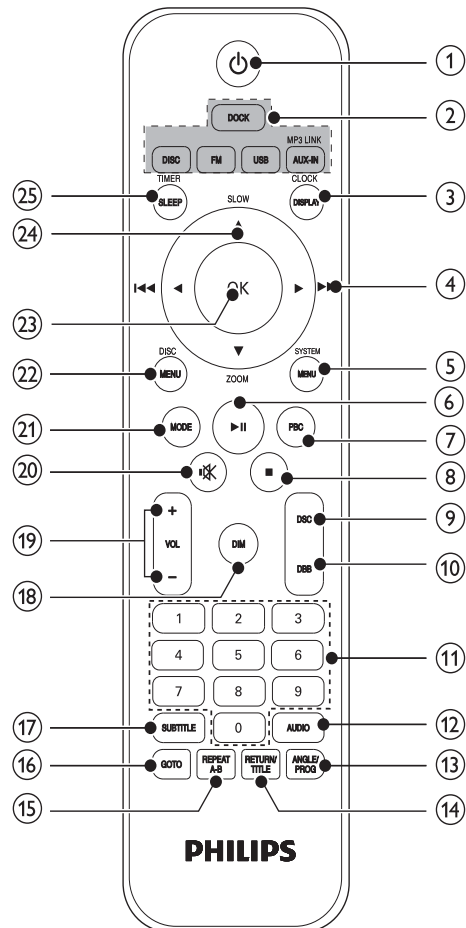
Overview of the main unit



- | | |
|---|---|
| <p>① </p> <ul style="list-style-type: none"> • Turn on the unit, or switch to standby mode. <p>② PRESET +/-</p> <ul style="list-style-type: none"> • Select a preset radio station. • Skip to the previous/next album. | <p>③ </p> <ul style="list-style-type: none"> • Skip to the previous/next track. • Search within a track/disc/USB. • Tune to a radio station. • Navigate through iPod/iPhone/iPad menu. • Adjust time. |
|---|---|

- ④ ■
 - Stop play.
- ⑤ SOURCE
 - Select a source: DISC, FM, USB, DOCK, AUX IN, or MP3 LINK.
- ⑥ ▲
 - Open/close the disc compartment.
- ⑦ Dock for iPod/iPhone/iPad
- ⑧ USB
 - USB socket.
- ⑨ ▶||
 - Start or pause play.
- ⑩ VOLUME + / -
 - Adjust volume.
- ⑪ Display panel
 - Show current status.
- ⑫ Disc compartment
- ⑬ MP3-LINK
 - Connect external audio device.
- ⑭ Headphone socket
 - Headphone socket.
- ⑮ STANDBY

Overview of the remote control

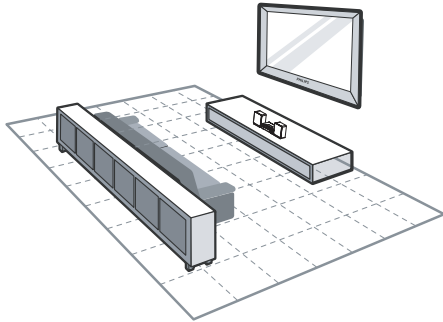


- ① Power
 - Turn on the unit or switch to the standby mode.
- ② Source selection keys
 - Select a source.

- ③ **CLOCK/DISPLAY**
- Set the clock.
 - Display RDS information.
- ④ **◀/▶ (◀◀/▶▶)**
- Search in a track or disc.
 - Skip to the previous/next track/title/ chapter.
 - For menus, navigate left/right.
 - Select a preset radio station.
 - Rotate a picture.
 - Adjust time.
- ⑤ **SYSTEM/MENU**
- Access or exit the system setup menu.
- ⑥ **▶||**
- Start or pause play.
- ⑦ **PBC**
- Turn on/off the playback control.
- ⑧ **■**
- Stop play.
- ⑨ **DSC**
- Select a preset sound setting.
- ⑩ **DBB**
- Turn on or off Dynamic Bass Boost (DBB) sound.
- ⑪ **Numeric keypad**
- Select a title/chapter/track directly.
- ⑫ **AUDIO**
- For VCD, select stereo, mono-left or mono-right channel.
 - For DVD/DivX video, select an audio language.
- ⑬ **ANGLE/PROG**
- Select a DVD camera angle.
 - Program radio stations.
- ⑭ **RETURN/TITLE**
- Return to the previous menu.
- ⑮ **REPEAT A-B**
- Repeat a specific section within a track/chapter.
- ⑯ **GOTO**
- During disc play, specify a position to start play.
- ⑰ **SUBTITLE**
- Select a subtitle language.
- ⑱ **DIM**
- Select a brightness level for the display screen.
- ⑲ **VOL +/-**
- Adjust volume.
- ⑳ **⊘**
- Mute or restore volume.
- ㉑ **MODE**
- Select repeat/shuffle play modes.
- ㉒ **DISC/MENU**
- Access or exit the disc menu.
- ㉓ **OK**
- Confirm a selection.
- ㉔ **▲ SLOW/ ▼ ZOOM**
- For menus: navigate up/down.
 - Turn to a radio station.
 - Invert a picture.
 - (▲ **SLOW**) For video: select a slow play mode.
 - (▼ **ZOOM**) For video: (press) select a slow forward mode; (press and hold) zoom in/out.
- ㉕ **TIMER/SLEEP**
- Set the alarm timer.
 - Set the sleep timer.

3 Connect

Place the unit



- 1 Place the unit near to the TV.
- 2 Place the left and right speakers at equal distance from the TV and at an angle of approximately 45 degrees from the listening position.

Note

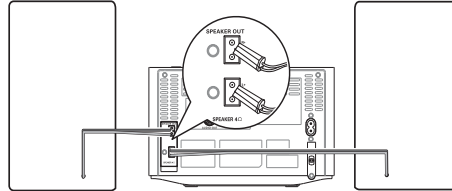
- To avoid magnetic interference or unwanted noise, never place this apparatus and speakers too close to any radiation devices.
- Place this unit on top of a table or mount it on the wall.
- Never place this unit in an enclosed cabinet.
- Install this unit near the AC outlet where the AC power plug can be easily reached.

Connect speakers

Note

- For optimal sound, use the supplied speakers only.
- Connect only speakers with impedance that is the same or higher than the supplied speakers. Refer to the Specifications section of this manual.

Insert the speaker plugs to **SPEAKER OUT (L and R)** sockets on the back of the unit.

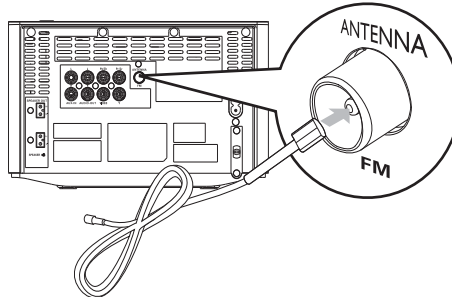


Connect FM antenna

Tip

- For optimal reception, fully extend and adjust the position of the antenna.
- For better FM stereo reception, connect an outdoor FM antenna to the **FM ANTENNA** jack.
- The unit does not support MW radio reception.

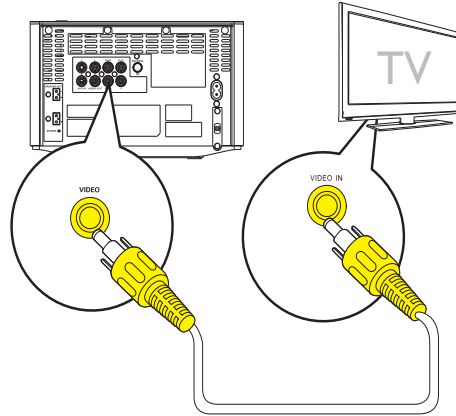
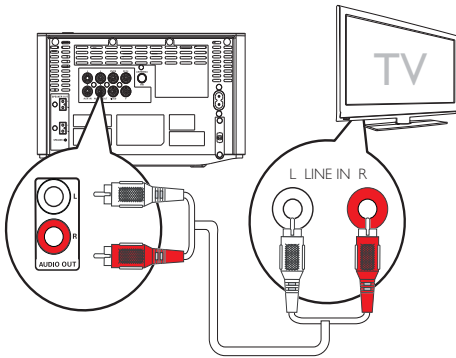
Connect the supplied FM antenna to the **FM ANTENNA** socket on the back of the unit.



Connect audio cables

Connect an audio cable (red/white - not supplied) to:

- the **AUDIO OUT (L and R)** sockets on the back of the unit.
- the audio input sockets on the audio device.



Option 2: Connect through component video cables

Note

- The progressive scan video quality is only available when a progressive scan TV is connected.
- If your TV does not support progressive scan, you cannot view the picture.
- For how to activate progressive scan on your TV, refer to the TV user manual.

Connect a progressive scan TV through component video for higher quality video.

- 1 Connect component video cables (red/blue/green - not supplied) to:
 - the component (**Pb/Cb, Pr/Cr, and Y**) sockets on the back of the unit.
 - the component input sockets on the TV.

Connect video cables

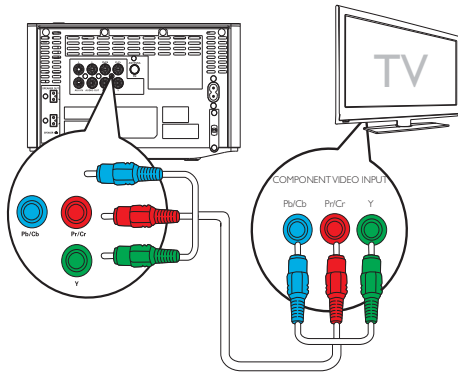
You can select the best video connection that your TV supports.

- **Option 1:** Connect through a composite video (CVBS) cable (for a standard TV).
- **Option 2:** Connect through component video cables (for a standard TV or Progressive Scan TV).

Option 1: Connect through a composite video cable

Connect the composite video cable (supplied) to:

- the **VIDEO** socket on the back of the unit.
- the video input socket on the TV.



Connect an external audio device (optional)

You can also listen to an external audio device through this unit.

- **Option 1:** Connect through the **AUX-IN** sockets
- **Option 2:** Connect through the **MP3-LINK** socket

Option 1: Connect through the AUX IN sockets

Connect audio cables (red/white - not supplied) to:

- the **AUX-IN (L and R)** sockets on the back of the unit.
- the audio output sockets on the external audio device.

Option 2: Connect through the MP3-LINK socket

Connect an MP3 link cable to:

- the **MP3-LINK** socket on the front of the unit.
- the headphone socket on the external audio device.

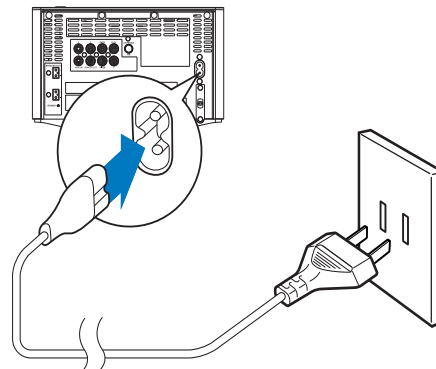
Connect power

! Caution

- Risk of product damage! Ensure that the power supply voltage corresponds to the voltage printed on the back or the underside of the unit.
- Before connecting the AC power cord, ensure you have completed all other connections.

Connect the AC power cord to

- the power socket on the back of the unit.
- the wall power socket.



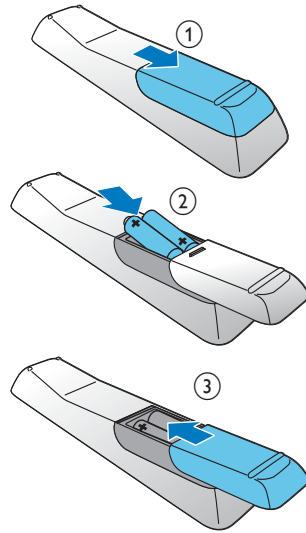
4 Get started

! Caution

- Use of controls or adjustments or performance of procedures other than herein may result in hazardous radiation exposure or other unsafe operation.

Always follow the instructions in this chapter in sequence.

If you contact Philips, you will be asked for the model and serial number of this apparatus. The model number and serial number are on the back of the apparatus. Write the numbers here:
 Model No. _____
 Serial No. _____



Prepare the remote control

! Caution

- Risk of explosion! Keep batteries away from heat, sunshine or fire. Never discard batteries in fire.

To insert the remote control battery:

- 1 Open the battery compartment.
- 2 Insert 2 AAA batteries with correct polarity (+/-) as indicated.
- 3 Close the battery compartment.

≡ Note

- If you are not going to use the remote control for a long time, remove the batteries.
- Do not use old and new or different types of batteries in combination.
- Batteries contain chemical substances, so they should be disposed of properly.

Turn on

Press ϕ .

- ↳ The unit switches to the last selected source.

Switch to standby mode or Eco power standby mode

Press ϕ again to switch the unit to standby mode.

- ↳ The clock (if set) appears on the display panel.

Switch to ECO standby mode:

Press and hold **⏻** for more than 3 seconds.

↳ The backlight on the display panel turns off.

↳ The red Eco Power indicator turns on.

Switch between standby mode and ECO standby mode:

Press and hold **⏻** for over 3 seconds.

Note

- The unit switches to Eco Power Standby mode after 15 minutes in standby mode.

Set clock

- 1** In the standby mode, press and hold **CLOCK/DISPLAY** for over 3 seconds to activate the clock setting mode.
 - ↳ The hour digits are displayed and begin to blink.
- 2** Press **◀/▶** to set the hour, and then press **CLOCK/DISPLAY** again.
 - ↳ The minute digits are displayed and begin to blink.
- 3** Press **◀/▶** to set the minute, and then press **CLOCK/DISPLAY** to confirm the clock setting.

Adjust brightness of display panel

In standby mode, press **DIM** repeatedly to select different brightness levels.

Find the correct viewing channel

- 1** Press **DISC** to switch to disc mode.
- 2** Turn on the TV and switch to the correct video-in channel in one of the following ways:
 - Go to the lowest channel on your TV, and then press the Channel Down button until you see the blue screen.
 - Press the source button repeatedly on the remote control of your TV.

Tip

- The video-in channel is between the lowest and highest channels and may be called FRONT, A/V IN, VIDEO etc. See the TV user manual on how to select the correct input on the TV.

Select the correct TV system

Change this setting if the video does not appear correctly. By default, this setting matches the most common setting for TVs in your country.

- 1** Press **SYSTEM/MENU**.
- 2** Select **[Video Setup]**.
- 3** Select **[TV System]**, and then press **▶▶**.
- 4** Select a setting and then press **OK**.
 - **[NTSC]** - For TV with NTSC color system.
 - **[PAL]** - For TV with PAL color system.
 - **[Multi]** - For TV that is compatible with both PAL and NTSC.
- 5** To return to the previous menu, press **RETURN/TITLE**.
- 6** To exit the menu, press **SYSTEM/MENU**.

Change system menu language

- 1 Press **SYSTEM/MENU**.
- 2 Select [**General Setup**].
- 3 Select [**OSD language**], and then press **▶▶**.
- 4 Select a setting and then press **OK**.
- 5 To exit the menu, press **SYSTEM/MENU**.

Turn on Progressive Scan

Progressive scan displays twice the number of frames per seconds than interlaced scanning (ordinary TV system). With nearly double the number of lines, progressive scan offers higher picture resolution and quality.

Before you turn on this feature, ensure that:

- The TV supports progressive scan signals.
- You have connected the unit with the TV through component video.

- 1 Turn on the TV.
- 2 Ensure that the TV progressive scan mode is deactivated (see the TV user manual).
- 3 Switch the TV to the correct viewing channel for this unit.
- 4 Press **DISC**.
- 5 Press **SYSTEM/MENU**.
- 6 Press **▲ / ▼** to select [**Video Setup**] in the menu, and then press **▶▶**.
- 7 Select [**P-Scan**], and then press **OK**.
↳ The progressive setup is complete.

5 Play

Caution

- Risk of damage to the unit! During play, never move the unit.

Play a disc

Caution

- Never look at the laser beam inside the unit.
- Risk of product damage! Never play discs with accessories such as disc stabilizer rings or disc treatment sheets.
- Never put any objects other than discs into the disc compartment.

- 1 Press **DISC** to select the DISC source.
- 2 Press **▲** on the top of the unit to open the disc compartment.
- 3 Insert a disc with the printed side facing upward.
- 4 Press **▲** to close the disc compartment.
 - ↳ Play starts automatically.
 - To pause or resume play, press **▶||**.
 - To stop play, press **■**.
 - To skip to the previous/next title/chapter/track, press **◀/▶**.

If play does not start automatically:

- 1 Select a title/chapter/track and then press **▶||**.

Tip

- To play a locked DVD, enter the 6-digit parental control password.

Use the disc menu

When you load a DVD/(S)VCD disc, a menu may be displayed on the TV screen.

To access or exit the menu manually:

- 1 Press **DISC/MENU**.

For VCD with PlayBack Control (PBC) feature (version 2.0 only):

The PBC feature allows you to play VCD interactively according to the menu screen.

- 1 During play, press **PBC** to enable/disable playback control.
 - ↳ When PBC is enabled, the menu screen is displayed.
 - ↳ When PBC is disabled, normal play is resumed.

Select an audio language

You can select an audio language for a DVD or DivX (Ultra) video.

- 1 During disc play, press **AUDIO**.
 - ↳ The language options appear. If the selected audio channels is unavailable, the default disc audio channel is used.

Note

- For some DVDs, the language can only be changed from the disc menu. Press **DISC/MENU** to access the menu.

Select a subtitle language

You can select a subtitle language for a DVD or DivX (Ultra) video.

- 1 During play, press **SUBTITLE** repeatedly.

Note

- For some DVDs, the language can only be changed from the disc menu. Press **DISC/MENU** to access the menu.

Play from USB or recored discs

You can play DivX (Ultra)/MP3/WMA/JPEG picture files copied onto a CD-R/RW, recordable DVD or USB storage device.

- 1 Select a source.
 - For a USB storage device, press **USB**.
 - For a disc, press **DISC**.
- 2 Insert the USB storage device or disc.
 - ↳ The play starts automatically.

To select a specified file for play

- 1 Press **■** to stop play.
- 2 Press **▲/▼** to select a folder, and then press **OK** to confirm.
 - To return to previous menu, press **RETURN/TITLE**.
- 3 Press **▲/▼** to select a file from the folder.
- 4 Press **▶||** to start play.
 - To pause or resume play, press **▶||**.
 - To skip to the previous/next file, press **◀/▶**.
 - To change the subtitle language during the play of a DivX (Ultra) video, press **SUBTITLE**.

Note

- You can only play DivX (Ultra) videos rented or purchased through the DivX registration code of this unit.
- Subtitle files with the following filename extensions (.srt, .smi, .sub, .ssa, .ass) are supported but do not appear on the file navigation menu.
- The subtitle filename has to be the same as the file name of the video.

Play a slideshow with background music

This apparatus can play MP3/WMA files and JPEG photos simultaneously.

Note

- The MP3/WMA and JPEG files must be stored on the same disc or USB storage device.

- 1 Play an MP3/WMA file.
- 2 Navigate to the photo folder/album and press **▶||** to start the slideshow.
 - ↳ Slideshow begins and continues till the end of the photo folder or album.
 - ↳ Audio continues till the end of the last file.
 - To return to the previous menu, press **RETURN/TITLE**.
 - To stop the slideshow, press **■**.

Play control

Select repeat/shuffle play options

During play, press **MODE** repeatedly to select a play option.

- To resume normal play, press **MODE** repeatedly until no option is displayed.

Search forward/backward

During video/audio play, press **◀◀/▶▶** repeatedly to select a search speed.

- To resume play at normal speed, press **▶||**.

Search by time or title/chapter/track number

- 1 During video/audio play, press **GOTO**.
- 2 Enter the desired time or number:
 - For the time field, enter the play position in sequence of hour, minute, and second.
 - For the title/chapter/track field, enter the title/chapter/track number.

↳ Play starts automatically at the selected point.

Resume video play from last stopped point

Note

- This feature is only available for DVD/VCD play.

- 1 In stop mode and when the disc has not been removed, press **▶||**.

To cancel resume mode and stop play completely:

- 1 In stop mode, press **■**.

Play options

Display RDS information

- 1 In tuner mode, press **CLOCK/DISPLAY** to display the clock. Press again to display RDS information.
- 2 In other mode, press **CLOCK/DISPLAY** to display the clock.

Zoom in/out image

During video play, press and hold **▼ ZOOM** to zoom in/out the image.

- When the image is zoomed in, you can press **▼ ZOOM** to pan through the image.

Slow-motion play

During video play, press **▲ SLOW** to select a slow backward/forward speed.

↳ The sound is muted.

- To resume play at normal speed, press **▶||**.

Change camera angle

Some DVDs contain alternate scenes, such as scenes recorded from different camera angles. For such DVDs, you can select from the available alternate scenes.

During play, press **ANGLE/PROG** repeatedly to switch between camera angles.

Change the audio channel

Note

- This feature is only available for VCDs and DivX (Ultra) videos.

During play, press **AUDIO** repeatedly to select an audio channel available on the disc:

- Mono Left
- Mono Right
- Mix Mono
- Stereo

Picture view options

Rotate picture

During play, press **◀/▶** to rotate the picture anti-clockwise/clockwise.

6 Play iPod/iPhone/iPad

When the iPod/iPhone/iPad is docked on this Micro System, you can listen to music from the speakers.

 **Note**

- No audio output from the headphone jack in this situation.

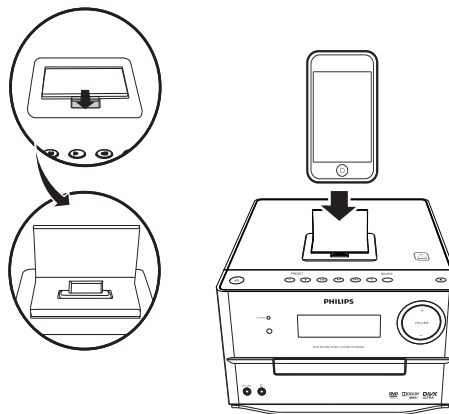
Compatible iPod/iPhone/iPad

The unit supports the following iPod/iPhone/iPad models.

Made for

- iPod 5G
- iPod 4G
- iPod mini
- iPod touch (1st, 2nd, 3rd, and 4th generation)
- iPod classic
- iPod nano (1st, 2nd, 3rd, 4th, 5th, and 6th generation)
- iPhone 4
- iPhone 3GS
- iPhone 3G
- iPhone
- iPad

Load the iPod/iPhone/iPad



- 1 Lift up the iPod/iPhone/iPad dock on the top panel until you hear a click.
- 2 Place the iPod/iPhone/iPad in the dock.

Charge the iPod/iPhone/iPad

When the unit is connected to the power, the docked iPod/iPhone/iPad begins to charge.

 **Note**

- iPod with color display, iPod classic, and iPod with video are not compatible with dock charging.

Listen to the iPod/iPhone/iPad

- 1 Make sure that your iPod/iPhone/iPad has been loaded securely.
- 2 Press **DOCK** to select iPod/iPhone/iPad source.
- 3 Play audio on your iPod/iPhone/iPad.
 - To pause/resume play, press **▶||**.
 - To skip to a track, press **◀/▶**.
 - To select a track, press **▲/▼** to select an item, and then press **OK** to confirm.

Remove the iPod/iPhone/iPad

- 1 Pull the iPod/iPhone/iPad out of the dock.
- 2 Press down to hide the dock.

7 Listen to radio



Tip

- Position the antenna as far as possible from TV, VCR or other radiation source.
- For optimal reception, fully extend and adjust the position of the antenna.

Tune to a radio station

- 1 Press **FM**.
- 2 Press and hold **▲ / ▼** for more than 2 seconds.
 - ↳ **[SEARCH]** (search) is displayed.
 - ↳ The radio tunes to a station with strong reception automatically.
- 3 Repeat step 2 to tune to more stations.
 - To tune to a weak station, press **▲ / ▼** repeatedly until you find optimal reception.

Program radio stations automatically



Note

- You can program a maximum of 20 preset radio stations.

In tuner mode, press and hold **ANGLE/PROG** for 3 seconds to activate automatic programming.

- ↳ **[AUTO SCAN]** (auto scan) is displayed briefly.
- ↳ All available stations are programmed in the order of waveband reception strength.
- ↳ The first programmed radio station is broadcast automatically.

Program radio stations manually



Note

- You can program a maximum of 20 preset radio stations.

- 1 Tune to a radio station.
- 2 Press **ANGLE/PROG** to activate programming.
- 3 Press **◀ / ▶** to allocate a number from 1 to 20 to this radio station, and then press **ANGLE/PROG** to confirm.
 - ↳ The preset number and the frequency of the preset station are displayed.
- 4 Repeat the previous steps to program other stations.



Note

- To overwrite a programmed station, store another station in its place.

Tune to a preset radio station

In the tuner mode, press **◀ / ▶** to select a preset number:

- You can also press the numeric buttons to select a preset number directly.

8 Adjust sound

Adjust volume level

During play, press **VOL +/-** to increase/decrease the volume level.

Select a sound effect

Note

- You cannot use different sound effects at the same time.

Select a preset sound effect

During play, press **DSC** repeatedly to select:

- **[CLASSIC]** (classic)
- **[JAZZ]** (jazz)
- **[POP]** (pop)
- **[ROCK]** (rock)

Enhance bass

The best DBB (Dynamic Bass Enhancement) setting is generated automatically for each DSC option. You can manually select the DBB setting that best suits your listening environment.

- 1 During play, press **DBB** repeatedly to turn on/off the DBB feature.
 - **[DBB]**: The DBB feature is enabled.

Mute sound

During play, press **M** to mute or restore sound.

9 Adjust settings

- 1 Press **SYSTEM/MENU**.
- 2 Select a setup page.
- 3 Select an option and then press **▶▶**.
- 4 Select a setting and then press **OK**.
 - To return to the previous menu, press **RETURN/TITLE**.
 - To exit the menu, press **SYSTEM/MENU**.

General setup

On the **[General Setup]** page, you can set the following options:

[OSD language]

Select the preferred language for on-screen display.

[DivX® VOD Code]

Display the DivX® registration code.

[DivX Deactivation]

Deactivate the authorization to current user.

Note

- Enter this DivX registration code when you rent or purchase a video from <http://vod.divx.com/>. The DivX videos rented or purchased through the DivX® VOD (Video On Demand) service can be played only on the device to which it is registered.

Audio setup

On the **[Audio Setup]** page, you can set the following options:

[Digital Output]

Select audio formats supported by the connected device.

- **[Off]** – Turn off the digital output.
- **[PCM]** – If the connected device cannot decode multichannel audio, select this option.
- **[All]** – If the connected device supports multi-channel audio formats, select this option.

[Night Mode]

Make loud sound level softer and soft sound level louder so that you can watch the DVD movies at a low volume, without disturbing others.

- **[On]** – enjoy quiet viewing at night (DVDs only).
- **[Off]** – enjoy surround sound with its full dynamic range.

Video setup

On the **[Video Setup]** page, you can set the following options:

[TV System]

Change this setting if the video does not appear correctly. By default, this setting matches the most common setting for TVs in your country.

- **[NTSC]** - For TV with NTSC color system.
- **[PAL]** - For TV with PAL color system.
- **[Multi]** - For TV that is compatible with both PAL and NTSC.

[TV Display]

The TV format determines the aspect ratio of display according to the type of TV you have connected.



- **[4:3 Pan Scan]** – For 4:3 screen TV: full-height display with the trimmed sides.

- **[4:3 Letter Box]** – For 4:3 screen TV: wide-screen display with black bars on the top and bottom of the screen.
- **[Wide Screen]** – For wide-screen TV: display ratio 16:9.

[Picture Settings]

Select a predefined set of picture color settings.

- **[Standard]** – Original color setting.
- **[Vivid]** – Vibrant color setting.
- **[Cool]** - Soft color setting.
- **[Personal]** – Customizes the color setting. Set the level of brightness, contrast, sharpness/tint and color saturation, and then press **OK**.

[Component Video]

Set the video output according to the video connection. If the composite connection is used, this setting is not required.

- **[Interlaced]** – For ordinary TV: turn on the interlace mode.
- **[P-Scan]** – For progressive scan TV: turn on the progressive scan mode.

Preferences

On the **[Preferences]** page, you can set the following options:

[Audio]

Select the preferred audio language for disc play.

[Subtitle]

Select the preferred subtitle language for disc play.

[Disc Menu]

Select the preferred disc menu language.

 Note

- If the language you have set is not available on the disc, the disc uses its own default language.
- For some discs, the subtitle/audio language can only be changed from the disc menu.

[DivX Subtitle]

Select a character set that supports the DivX subtitle.

 Note

- Ensure that the subtitle file has the exact same file name as the movie file. If for example the file name of the movie is 'Movie.avi', then you will need to name the text file 'Movie.sub' or 'Movie.srt'.

[Parental Control]

Restrict access to discs that are unsuitable for children. These types of discs must be recorded with ratings.

- 1) Press **OK**.
- 2) Select a rating level, and then press **OK**.
- 3) Press the numeric keys to enter the password.

 Note

- Rated discs above the level you set in **[Parental Control]** require a password to be played.
- The ratings are country-dependent. To allow all discs to play, select **[8. Adult]**.
- Some discs have ratings printed on them but are not recorded with ratings. This function has no effect on such discs.

[Password]

This setting allows you to change the password for parental control. The default password is '123456'.

- 1) Press the numeric keys to enter '123456' or your last set password at **[Old Password]** field.
- 2) Enter the new password at **[New Password]** field.
- 3) Enter the new password again at **[Confirm new password]** field.
- 4) Press **OK** to exit the menu.

 Note

- If you forget the password, enter '123456' before you set a new password.

[Version Info]

Display the software version of this apparatus.

[Default]

Reset all the settings to factory default, except for the password and parental settings.

10 Other features

Activate demonstration mode

You can see an overview of all features.

- 1 In the standby mode with clock display (if set), press **■** on the main unit to activate the demonstration mode.
 - ↳ A demonstration of major available features starts.

To deactivate the demonstration mode:

- 1 Press **■** on the main unit again.

Set alarm timer

This unit can be used as an alarm clock. You can select DISC, FM, iPod/iPhone/iPad, or USB as alarm source.

Note

- Ensure that you have set the clock correctly.

- 1 In standby mode, press and hold **TIMER/SLEEP** until **[SET TIMER]** (set timer) scrolls on the display.
- 2 Press a source key to select a source: DISC, FM, iPod/iPhone/iPad, or USB.
- 3 Press **TIMER/SLEEP** to confirm.
 - ↳ The hour digits are displayed and begin to blink.
- 4 Press **◀/▶** repeatedly to set hour, and then press **TIMER/SLEEP** again.
 - ↳ The minute digits are displayed and begin to blink.
- 5 Press **◀/▶** to set minute, and then press **TIMER/SLEEP** to confirm.

- 6 Press **VOL +/-** to adjust volume, and then press **TIMER/SLEEP** to confirm.
- 7 A clock icon appears on the display.

Activate/deactivate alarm timer

In standby mode, press **TIMER/SLEEP** repeatedly.

- ↳ If timer is activated, **⌚** is displayed.
- ↳ If timer is deactivated, **⌚** disappears on the display.



Tip

- Alarm timer is not available when the source is set as "MP3 LINK" or "AUX-IN".
- If DISC/USB/iPod/iPhone/iPad source is selected but no disc is placed or no USB/iPod/iPhone/iPad connected, the system switches to FM automatically.

Set the sleep timer

This apparatus can switch to standby mode automatically after a set period.

- 1 When the apparatus is turned on, press **TIMER/SLEEP** repeatedly to select a preset period (in minutes).
 - ↳ When sleep timer is activated, **z z** is displayed.

To deactivate sleep timer

- 1 Press **TIMER/SLEEP** repeatedly until **[TIMER OFF]** is displayed.
 - ↳ When sleep timer is deactivated, **z z** is displayed.

Listen to an audio device

You can listen to an audio device through this apparatus.

- 1** Ensure the external audio device is connected to this apparatus (see “Connect” > “Connect an external audio device”).
- 2** Press **MP3 LINK/AUX-IN** repeatedly to select the audio input through the **MP3-LINK** socket or **AUX-IN (L and R)** sockets.
- 3** Start to play the device (see the device user manual).

Listen through headphone

Plug a headphone into the  socket.

 Note

- No audio output from the headphone jack when you listen to the docked iPod/iPhone/iPad. Please listen through the speakers instead.

11 Product information

Note

- Product information is subject to change without prior notice.

Specifications

Amplifier

Rated Output Power	2 X 60 W RMS
Frequency Response	80 Hz - 16000 Hz, ± 3 dB
Signal to Noise Ratio	> 65 dB
Aux Input	2 V RMS 20 kohm

Disc

Laser Type	Semiconductor
Disc Diameter	12 cm/8 cm
Video Decoding	MPEG-1 / MPEG-2 / DivX
Video DAC	12 Bits
Signal System	PAL / NTSC
Video Format	4:3 / 16:9
Video S/N	> 48 dB
Audio DAC	24 Bits / 96 kHz
Total Harmonic Distortion	< 0.8% (1 kHz)
Frequency Response	4 Hz - 20 kHz (44.1 kHz) 4 Hz - 22 kHz (48 kHz) 4 Hz - 24 kHz (96 kHz)
S/N Ratio	> 65 dBA

Tuner (FM)

Tuning Range	87.5 - 108 MHz
Tuning grid	50 KHz
Sensitivity - Mono, 26dB S/N Ratio	<22 dBf
Sensitivity - Stereo, 46dB S/N Ratio	<43 dBf
Search Selectivity	>28 dBf
Total Harmonic Distortion	<2%
Signal to Noise Ratio	>55 dB

Speakers

Speaker Impedance	4 ohm
Speaker Driver	3.5" woofer X 2 + 1" tweeter
Sensitivity	> 80 dB/m/W \pm 4 dB/m/W

General information

AC power	110 - 127 V~/ 220 - 240 V~/ 50/60 Hz
Operation Power Consumption	60 W
Eco Standby Power Consumption	< 1 W
Composite Video Output	1.0 Vp-p, 75 ohm
Headphone output	2 X 8 mW, 32 ohm
USB Direct	Version 2.0
USB 5 Vd.c.	500 mA
Dimensions	
- Main Unit (W x H x D)	239 x 141.5 x 230 mm
- Speaker Box (W x H x D)	142 x 307 x 230 mm
Weight	
- With Packing	8.8 kg
- Main Unit	2.1 kg
- Speaker Box	2 x 2.55 kg

Supported disc formats

- Digital Video Discs (DVDs)
- Video CDs (VCDs)
- Super Video CDs (SVCDs)
- Digital Video Discs + Rewritable (DVD+RW)
- Compact Discs (CDs)
- Picture (Kodak, JPEG) files on CDR(W)
- DivX(R) disc on CD-R(W):
- DivX 3.11, 4.x and 5.x
- WMA

Supported MP3-CD formats:

- ISO 9660
- Max. title/album name: 12 characters
- Max. title number plus album: 300.
- Min. nested directory: 6 levels.
- Max. album number: 32.
- Max. MP3 track number: 2000.
- Supported sampling frequencies for MP3 disc: 32 kHz, 44.1 kHz, 48 kHz.
- Supported Bit-rates of MP3 disc are: 32, 64, 96, 128, 192, 256 (kbps).
- The following formats are not supported:
 - Files like *.VMA, *.AAC, *.DLF, *.M3U,
 - *.PLS, *.WAV
 - Non-English Album/Title name
 - Discs recorded in Joliet format
 - MP3 Pro and MP3 with ID3 tag

Supported formats:

- USB or memory file format FAT12, FAT16, FAT32 (sector size: 512 bytes)
- MP3 bit rate (data rate): 32-320 Kbps and variable bit rate
- WMA v9 or earlier
- Directory nesting up to a minimum of 6 levels
- Number of albums/ folders: maximum 300
- Number of tracks/titles: maximum 2000
- ID3 tag v2.0 or later
- File name in Unicode UTF8 (maximum length: 128 bytes)

Unsupported formats:

- Empty albums: an empty album is an album that does not contain MP3/WMA files, and is not be shown in the display.
- Unsupported file formats are skipped. For example, Word documents (.doc) or MP3 files with extension .dlf are ignored and not played.
- AAC, WAV, PCM audio files
- DRM protected WMA files (.wav, .m4a, .m4p, .mp4, .aac)
- WMA files in Lossless format

USB playability information

Compatible USB devices:

- USB flash memory (USB 2.0 or USB1.1)
- USB flash players (USB 2.0 or USB1.1)
- memory cards (requires an additional card reader to work with this apparatus)

12 Troubleshooting

Caution

- Never remove the casing of this apparatus.

To keep the warranty valid, never try to repair the system yourself.

If you encounter problems when using this apparatus, check the following points before requesting service. If the problem remains unsolved, go to the Philips web site (www.Philips.com/support). When you contact Philips, ensure that your apparatus is nearby and the model number and serial number are available.

No power

- Ensure that the AC cord of the apparatus is connected properly.
- Ensure that there is power at the AC outlet.
- As a power-saving feature, the system switches off automatically 15 minutes after track play reaches the end and no control is operated.

No disc detected

- Insert a disc.
- Check if the disc is inserted upside down.
- Wait until the moisture condensation at the lens has cleared.
- Replace or clean the disc.
- Use a finalized CD or correct format disc.

No picture

- Check the video connection.
- Turn on the TV to the correct Video-In channel.
- Progressive scan is activated but the TV does not support progressive scan.

Black and white or distorted picture

- The disc does not match the TV color system standard (PAL/NTSC).
- Sometimes a slight picture distortion may appear. This is not a malfunction.
- Clean the disc.
- A distorted picture may appear during progressive scan setup.

The aspect ratio of the TV screen cannot be changed even though you have set the TV display format.

- The aspect ratio is fixed on the loaded DVD disc.
- The aspect ratio may not be changed for some TV systems.

No sound or poor sound

- Adjust the volume.
- Disconnect the headphones.
- Check that the speakers are connected correctly.
- Check if the stripped speaker wires are clamped.

Remote control does not work

- Before you press any function button, first select the correct source with the remote control instead of the main unit.
- Reduce the distance between the remote control and the unit.
- Insert the battery with its polarities (+/- signs) aligned as indicated.
- Replace the battery.
- Aim the remote control directly at the sensor on the front of the unit.

Disc does not play

- Insert a readable disc with the label side facing you.
- Check the disc type, color system and regional code. Check for any scratches or smudges on the disc.
- Press **SYSTEM MENU** to exit the system setup menu.

- Disable the password for parental control or change the rating level.
- Moisture has condensed inside the system. Remove the disc and leave the system turned on for about an hour. Disconnect and reconnect the AC power plug, and then turn on the system again.
- As a power-saving feature, the system turns off automatically 15 minutes after disc play reaches the end and no control is operated.

DivX video files cannot be played.

- Ensure that the DivX video file is complete.
- Ensure that the file extension is correct.
- Due to Digital Rights issue, the DRM-protected video files cannot be played through an analog video connection (e.g. composite, component and scart). Transfer the video content onto the Disc Media and play these files.

Poor radio reception

- Increase the distance between the apparatus and your TV or VCR.
- Fully extend the FM antenna.
- Connect an outdoor FM antenna instead.

Audio or subtitle languages cannot be set

- The disc is not recorded with sound or subtitles in multiple languages.
- The audio or subtitle language setting is prohibited on the disc.

Cannot display some files in USB device

- The number of folders or files in the USB device has exceeded a certain limit. This phenomenon is not a malfunction.
- The formats of these files are not supported.

USB device not supported

- The USB device is incompatible with the unit. Try another one.

Timer does not work

- Set the clock correctly.
- Switch on the timer.

Clock/timer setting erased

- Power has been interrupted or the power cord has been disconnected.
- Reset the clock/timer.

